



US00D702230S

(12) **United States Design Patent**
Toh et al.

(10) **Patent No.:** **US D702,230 S**
(45) **Date of Patent:** **** Apr. 8, 2014**

(54) **ELECTRONIC READER DEVICE**

(75) Inventors: **Boon Keat Eddy Toh**, Singapore (SG);
Jeng Khim Tan, Singapore (SG)

(73) Assignee: **Creative Technology Ltd**, Singapore (SG)

(**) Term: **14 Years**

(21) Appl. No.: **29/426,133**

(22) Filed: **Jun. 29, 2012**

(30) **Foreign Application Priority Data**

Jan. 6, 2012 (SG) D2012/48/C

(51) **LOC (10) Cl.** **14-02**

(52) **U.S. Cl.**
USPC **D14/341**

(58) **Field of Classification Search**
USPC D14/341-347, 137, 138 AA, 138 R,
D14/138 C, 138 G, 496, 203.1, 203.3, 203.7,
D14/426, 129, 130, 420, 147, 218, 247-248,
D14/389, 388, 315-318; D10/65, 104.1;
D18/6-7; D21/324, 329, 330;
455/556.1, 556.2, 566, 575.1, 90.3;
379/433.04, 433.01, 433.06, 916;
345/173, 901, 905; 361/679.26,
361/679.27, 679.3, 679.55, 679.56,
361/680-686; 248/917-924; 348/373, 376;
D19/60

See application file for complete search history.

(56) **References Cited**

U.S. PATENT DOCUMENTS

D444,632 S * 7/2001 Hoodenpyl et al. D6/300
D490,420 S * 5/2004 Solomon et al. D14/341
D504,889 S * 5/2005 Andre et al. D14/341
D558,460 S * 1/2008 Yu et al. D6/308
D577,298 S * 9/2008 Reeson et al. D10/65
D595,712 S * 7/2009 Guery et al. D14/341

D601,353 S * 10/2009 Sadler et al. D6/308
D601,814 S * 10/2009 Lissola D6/308
D602,487 S * 10/2009 Maskatia D14/341
D617,793 S * 6/2010 Chiang et al. D14/341
D626,437 S * 11/2010 Lee et al. D10/65
D627,777 S * 11/2010 Akana et al. D14/341
D634,318 S * 3/2011 Buckle et al. D14/341
D636,391 S * 4/2011 Shen et al. D14/341
D637,596 S * 5/2011 Akana et al. D14/341
D638,416 S * 5/2011 Kawase D14/315
D639,266 S * 6/2011 DeLorenzo et al. D14/142
D641,018 S * 7/2011 Lee et al. D14/341
D645,833 S * 9/2011 Seflic et al. D14/138 G
D646,902 S * 10/2011 Woo et al. D6/308
D654,497 S * 2/2012 Lee D14/341
D663,298 S * 7/2012 Song et al. D14/341
D664,954 S * 8/2012 Kim et al. D14/341
D666,198 S * 8/2012 Van Den Nieuwenhuizen
et al. D14/341
D667,006 S * 9/2012 Van Den Nieuwenhuizen
et al. D14/341
D667,396 S * 9/2012 Koh D14/341
D667,397 S * 9/2012 Koh D14/341
D667,398 S * 9/2012 Koh D14/341

(Continued)

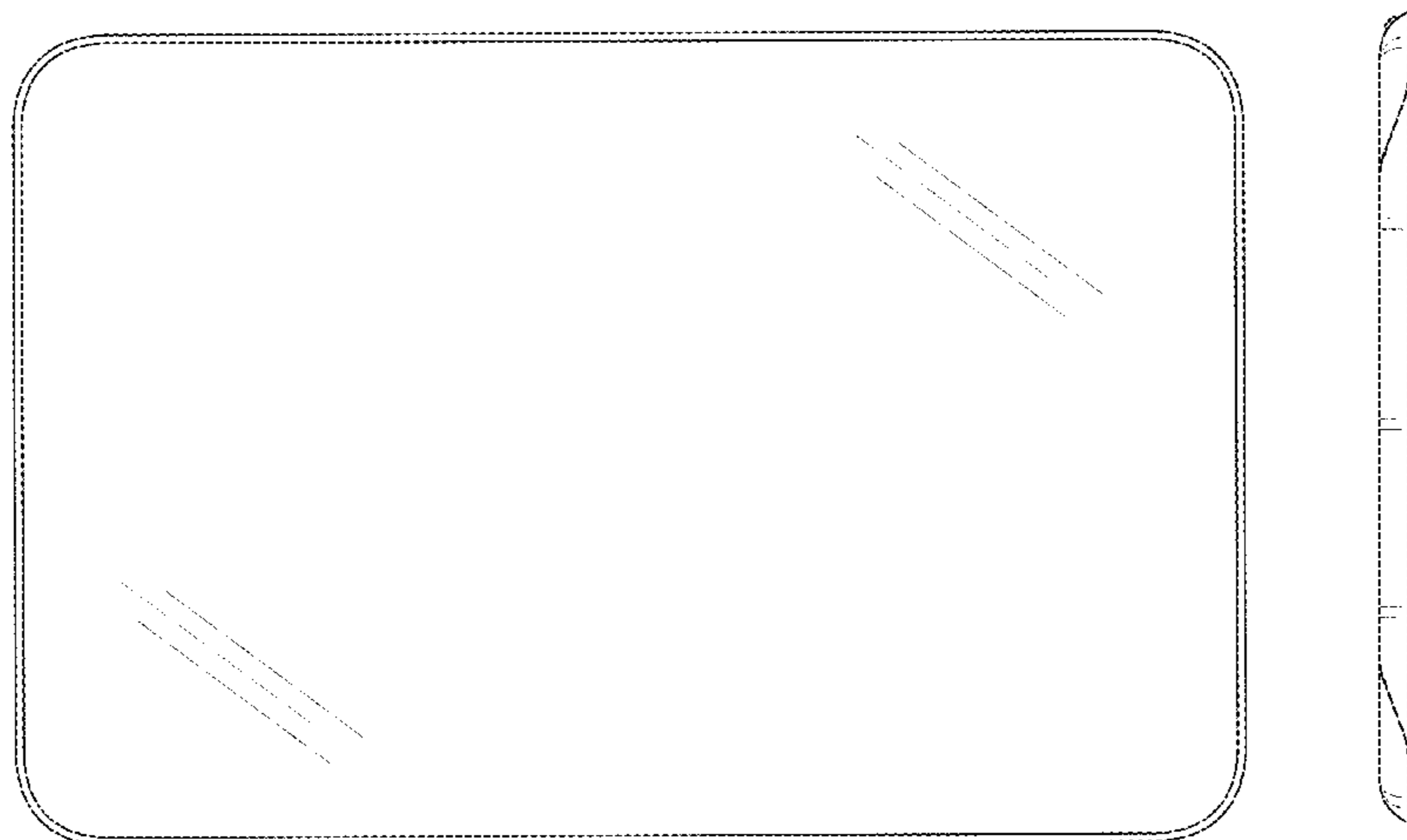
Primary Examiner — Barbara Fox
(74) *Attorney, Agent, or Firm* — Creative Technology Ltd

(57) **CLAIM**
The ornamental design for an electronic reader device, substantially as shown and described.

DESCRIPTION

FIG. 1 is a front and left side perspective view of an electronic reader device showing our new design;
FIG. 2 is a rear and right side perspective view thereof;
FIG. 3 is a front elevational view thereof;
FIG. 4 is a rear elevational view thereof;
FIG. 5 is a left side elevational view thereof;
FIG. 6 is a right side elevational view thereof;
FIG. 7 is a top plan view thereof; and,
FIG. 8 is a bottom plan view thereof.

1 Claim, 6 Drawing Sheets



(56)

References Cited

U.S. PATENT DOCUMENTS

D667,399 S *	9/2012	Koh	D14/341	D678,271 S *	3/2013	Chiu	D14/341
D668,651 S *	10/2012	Kim et al.	D14/341	8,390,573 B2 *	3/2013	Trout	345/169
D669,070 S *	10/2012	Hsu et al.	D14/341	D679,706 S *	4/2013	Tang et al.	D14/341
D669,468 S *	10/2012	Akana et al.	D14/341	D680,524 S *	4/2013	Feng et al.	D14/341
D669,469 S *	10/2012	Kang	D14/341	D681,583 S *	5/2013	Park	D14/138 G
D670,692 S *	11/2012	Akana et al.	D14/341	D681,632 S *	5/2013	Akana et al.	D14/341
D671,514 S *	11/2012	Kim et al.	D14/138 G	D684,968 S *	6/2013	Smith et al.	D14/341
D671,939 S *	12/2012	Chung	D14/374	D684,969 S *	6/2013	Smith et al.	D14/341
D671,940 S *	12/2012	Kim	D14/374	D685,783 S *	7/2013	Bryan et al.	D14/341
D672,344 S *	12/2012	Li	D14/341	D687,032 S *	7/2013	Sanjo et al.	D14/341
D673,561 S *	1/2013	Hyun et al.	D14/341	D687,820 S *	8/2013	Kim	D14/341
D673,950 S *	1/2013	Li et al.	D14/341	D687,823 S *	8/2013	Ryu et al.	D14/341
D676,440 S *	2/2013	Kita et al.	D14/341	D687,824 S *	8/2013	Chun et al.	D14/341
D676,443 S *	2/2013	Canizares et al.	D14/341	D687,825 S *	8/2013	Lee et al.	D14/341
D677,255 S *	3/2013	McManigal et al.	D14/341	D687,827 S *	8/2013	Song et al.	D14/341
D677,659 S *	3/2013	Akana et al.	D14/341	D688,661 S *	8/2013	Ho et al.	D14/341
D677,660 S *	3/2013	Groene et al.	D14/341	D689,048 S *	9/2013	Wang et al.	D14/341
					D689,481 S *	9/2013	Song et al.	D14/341
					D689,482 S *	9/2013	Akana et al.	D14/341

* cited by examiner

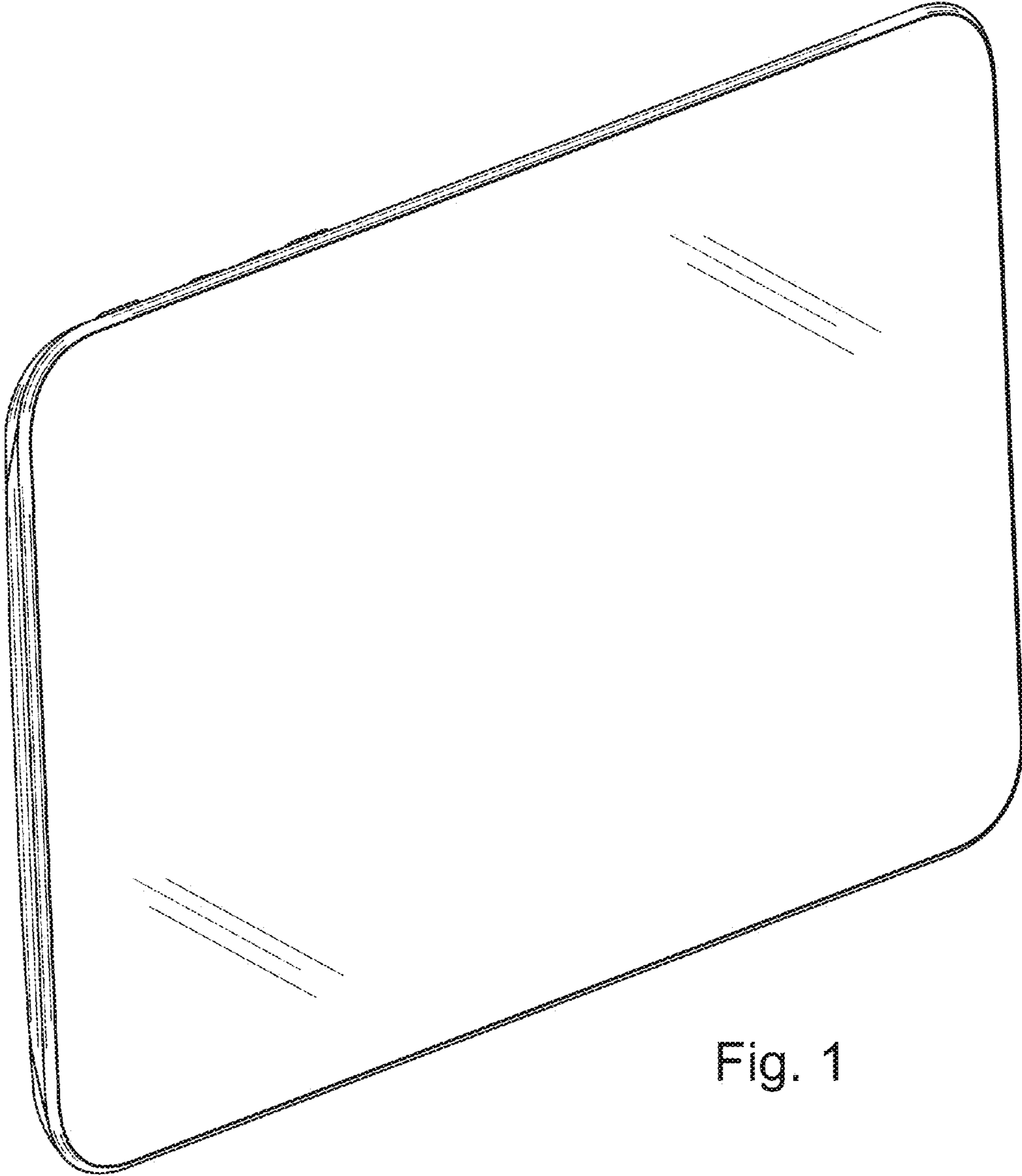


Fig. 1

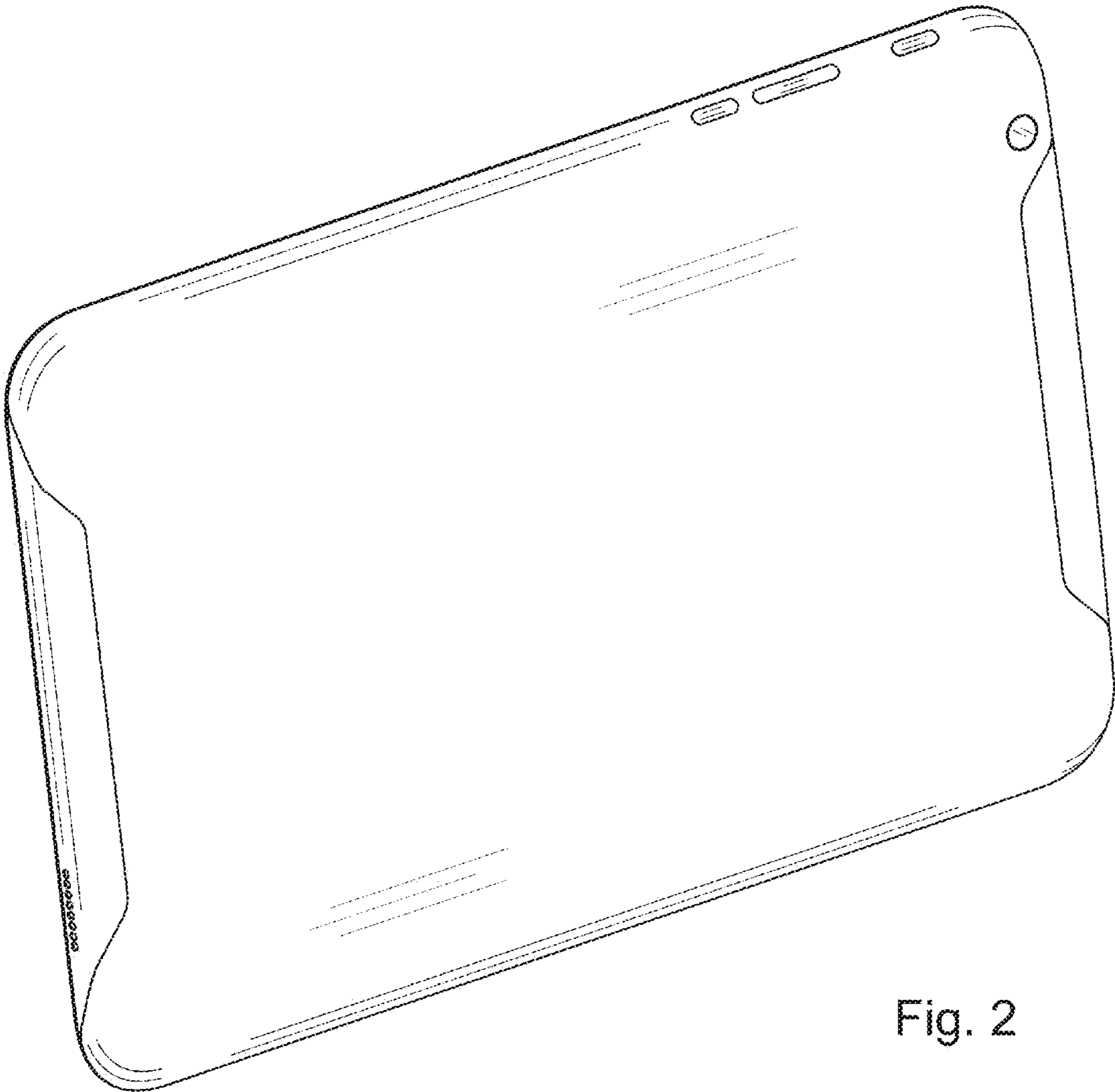


Fig. 2

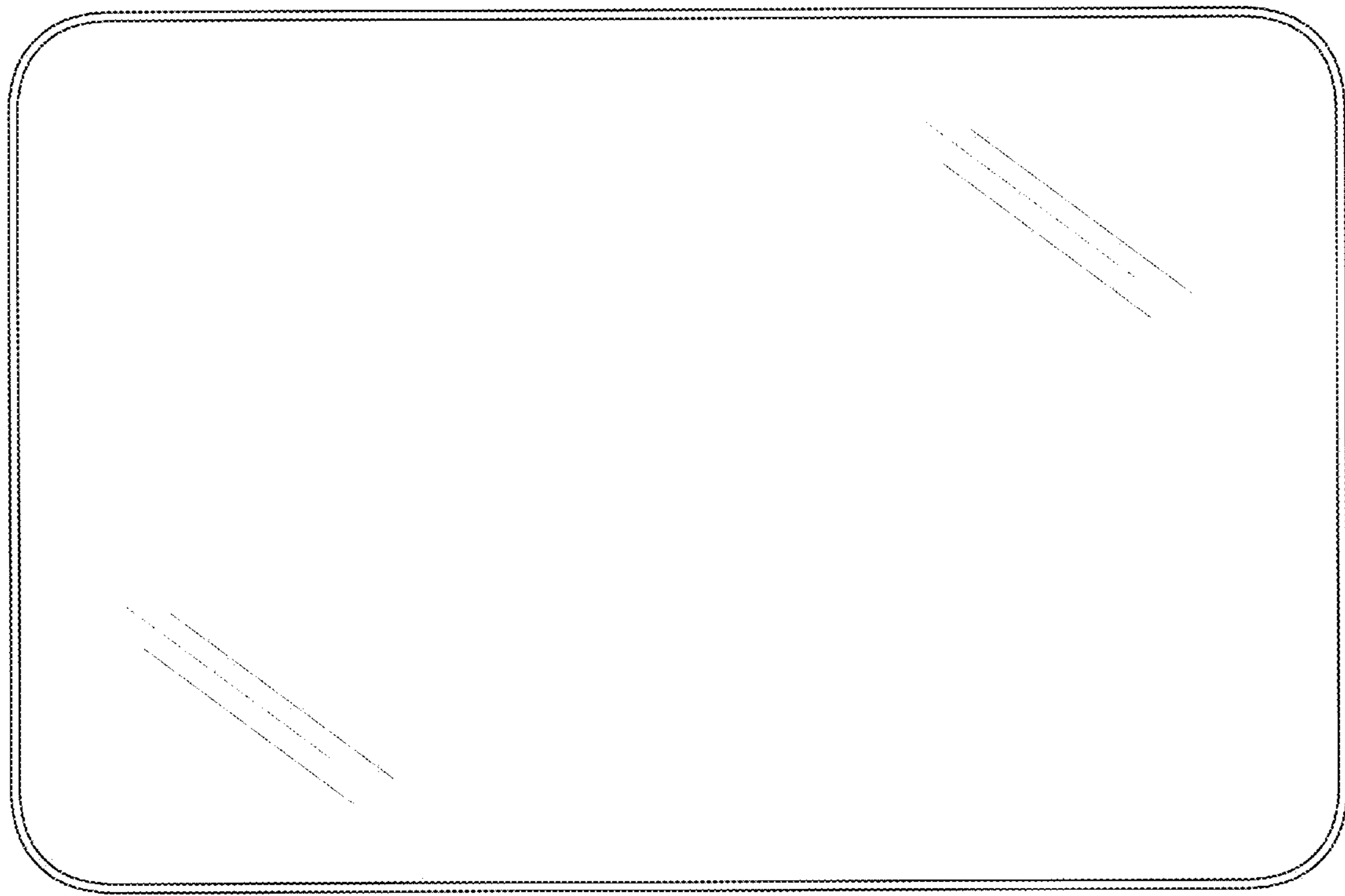


Fig. 3

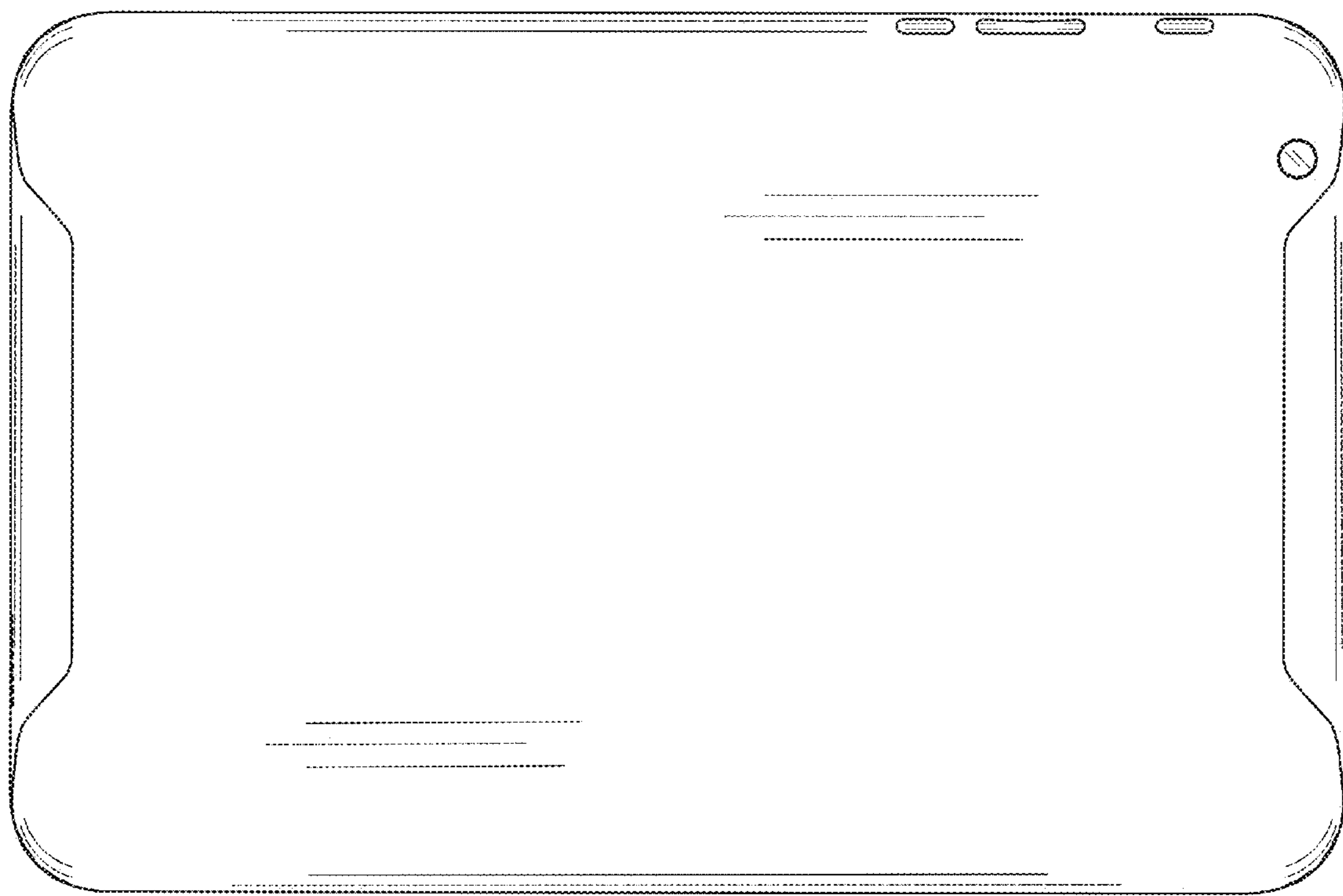


Fig. 4

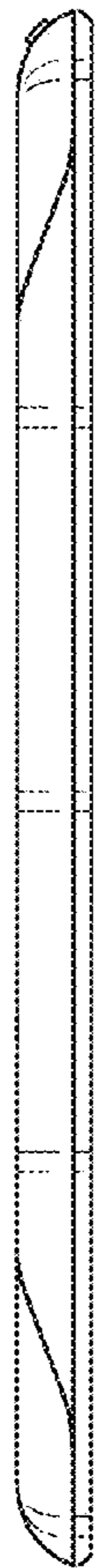


Fig. 5



Fig. 6

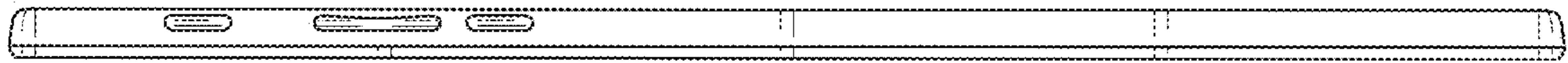


Fig. 7

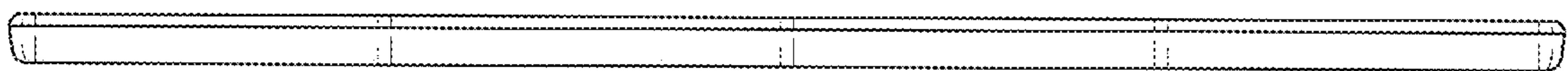


Fig. 8