



US00D702229S

(12) **United States Design Patent**
Lim et al.

(10) **Patent No.:** **US D702,229 S**
(45) **Date of Patent:** **** Apr. 8, 2014**

(54) **TABLET COMPUTER**

(75) Inventors: **Woo-Teik Lim**, Seoul (KR); **Ji-Sang Park**, Yongin (KR)

(73) Assignee: **Samsung Electronics Co., Ltd.**, Suwon-Si (KR)

(**) Term: **14 Years**

(21) Appl. No.: **29/425,978**

(22) Filed: **Jun. 28, 2012**

(30) **Foreign Application Priority Data**

Jan. 9, 2012 (KR) 30-2012-0001212

(51) **LOC (10) Cl.** **14-02**

(52) **U.S. Cl.**
USPC **D14/341**

(58) **Field of Classification Search**
USPC D14/341–347, 137, 138 AA, 138 R, D14/138 C, 138 G, 496, 203.1, 203.3, 203.7, D14/426, 129, 130, 420, 147, 218, 247–248, D14/389, 388, 315–318; D10/65, 104.1; D18/6–7; D21/324, 329, 330; 455/556.1, 556.2, 566, 575.1, 90.3; 379/433.04, 433.01, 433.06, 916; 345/173, 901, 905; 361/679.26, 361/679.27, 679.3, 679.55, 679.56, 361/680–686; 248/917–924; 348/373, 376; D19/60

See application file for complete search history.

(56) **References Cited**

U.S. PATENT DOCUMENTS

D284,084 S 6/1986 Ferrara, Jr.
D306,583 S 3/1990 Krolopp et al.
D333,574 S 3/1993 Ackeret
D337,569 S 7/1993 Kando
D361,552 S * 8/1995 Iino D14/341

D500,991 S 1/2005 Niitsu
D504,889 S 5/2005 Andre et al.
D532,791 S 11/2006 Kim
D563,804 S 3/2008 Kimura et al.
D579,930 S 11/2008 Maskatia
D584,738 S 1/2009 Kim et al.
D590,374 S 4/2009 Madonna et al.
D592,214 S 5/2009 Bradford
D602,014 S 10/2009 Andre et al.
D602,487 S 10/2009 Maskatia

(Continued)

FOREIGN PATENT DOCUMENTS

KR 3005985190000 5/2011
KR 3005994750000 5/2011

(Continued)

OTHER PUBLICATIONS

U.S. Appl. No. 29/405,537, Applicant Ik-Sang Kim, filed Nov. 3, 2011, entitled Tablet Computer.

(Continued)

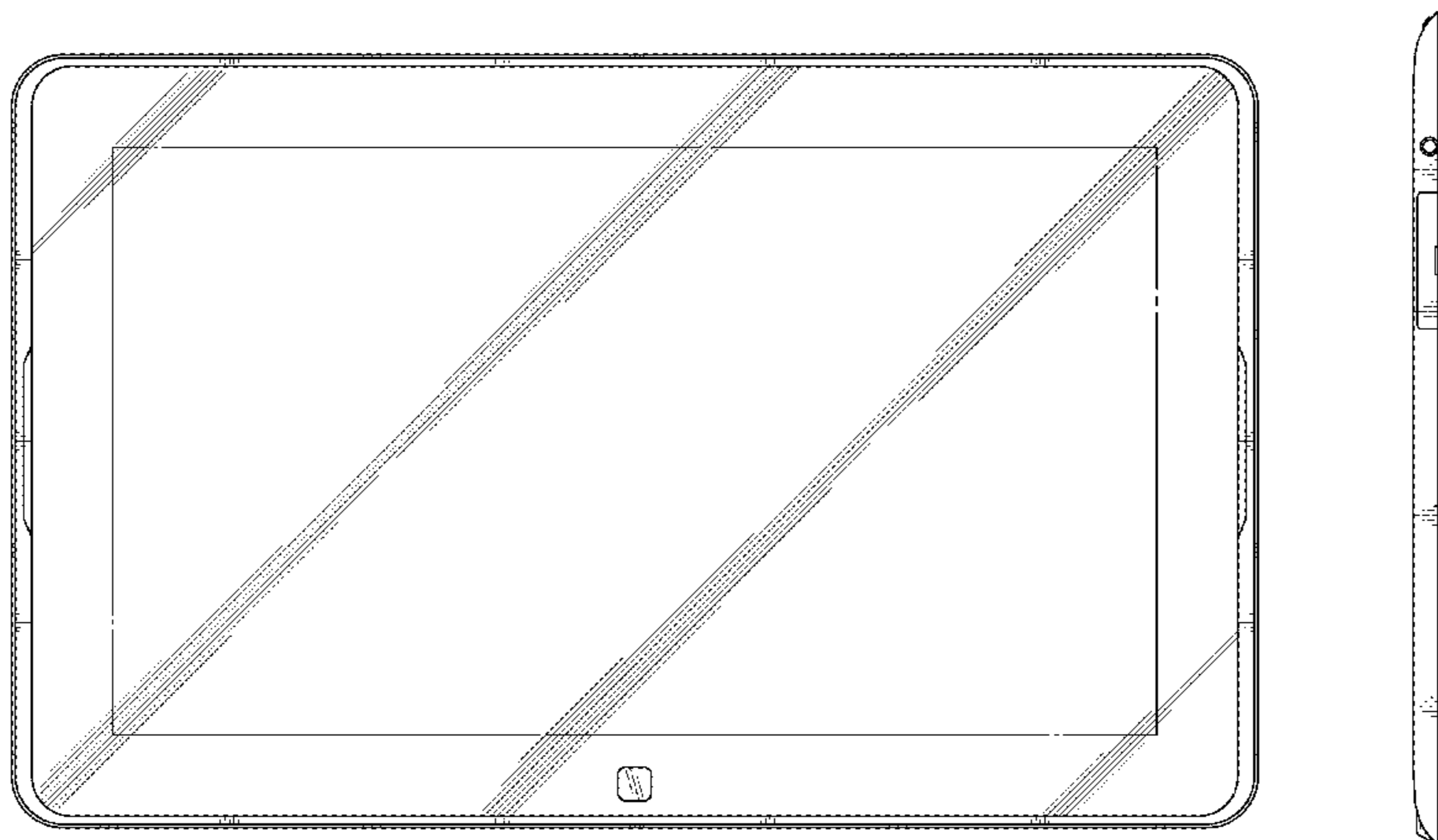
Primary Examiner — Barbara Fox
(74) *Attorney, Agent, or Firm* — Wood, Herron & Evans, LLP

(57) **CLAIM**
The ornamental design for a tablet computer, as shown and described.

DESCRIPTION

FIG. 1 is a top front perspective view of a tablet computer showing our new design;
FIG. 2 is a front elevational view thereof;
FIG. 3 is a rear elevational view thereof;
FIG. 4 is a left side elevational view thereof;
FIG. 5 is a right side elevational view thereof;
FIG. 6 is a top plan view thereof; and,
FIG. 7 is a bottom plan view thereof.

1 Claim, 4 Drawing Sheets



(56)

References Cited

U.S. PATENT DOCUMENTS

D605,626	S	12/2009	Park	
D610,582	S	2/2010	Sugitani et al.	
D611,364	S	3/2010	Lenz et al.	
D613,510	S	4/2010	Tzeng et al.	
D613,951	S	4/2010	Tang et al.	
D617,793	S	6/2010	Chiang et al.	
D622,270	S	8/2010	Andre et al.	
D627,667	S	11/2010	Lenz et al.	
D627,777	S *	11/2010	Akana et al.	D14/341
D628,913	S	12/2010	Cheng	
D629,799	S	12/2010	Andre et al.	
D640,255	S	6/2011	Lee et al.	
D645,833	S *	9/2011	Seflic et al.	D14/138 G
D650,381	S *	12/2011	Park et al.	D14/341
D664,540	S	7/2012	Kim et al.	
D664,954	S	8/2012	Kim et al.	
D664,955	S	8/2012	Kim et al.	
D666,198	S *	8/2012	Van Den Nieuwenhuizen et al.	D14/341
D667,398	S *	9/2012	Koh	D14/341
D667,399	S *	9/2012	Koh	D14/341
D669,468	S *	10/2012	Akana et al.	D14/341
D669,469	S *	10/2012	Kang	D14/341
D670,692	S *	11/2012	Akana et al.	D14/341
D671,514	S *	11/2012	Kim et al.	D14/138 G
D673,561	S *	1/2013	Hyun et al.	D14/341
D677,659	S *	3/2013	Akana et al.	D14/341
D677,660	S *	3/2013	Groene et al.	D14/341
D678,271	S *	3/2013	Chiu	D14/341
D680,524	S *	4/2013	Feng et al.	D14/341
D681,583	S *	5/2013	Park	D14/138 G
D681,632	S *	5/2013	Akana et al.	D14/341
D685,783	S *	7/2013	Bryan et al.	D14/341
D687,823	S *	8/2013	Ryu et al.	D14/341
D688,661	S *	8/2013	Ho et al.	D14/341
D689,048	S *	9/2013	Wang et al.	D14/341
D689,482	S *	9/2013	Akana et al.	D14/341
D690,297	S *	9/2013	Chang et al.	D14/341
2009/0231292	A1	9/2009	Hsieh et al.	

FOREIGN PATENT DOCUMENTS

KR	3006004150000	6/2011
KR	3006004300000	6/2011
KR	3006046440000	7/2011

OTHER PUBLICATIONS

U.S. Appl. No. 29/407,975, Applicant Chun et al, filed Dec. 6, 2011, entitled Tablet Computer.

U.S. Appl. No. 29/407,981, Applicant Chun et al, filed Dec. 6, 2011, entitled Cradle for Tablet Computer.

U.S. Appl. No. 29/407,982, Applicant Lee et al, filed Dec. 6, 2011, entitled Tablet Computer.

U.S. Appl. No. 29/407,984, Applicant Jeon et al., filed Dec. 6, 2011, entitled Tablet Computer.

U.S. Appl. No. 29/407,989, Applicant Lee et al, filed Dec. 6, 2011, entitled Cradle for Tablet Computer.

U.S. Appl. No. 29/407,996, Applicant Jeon et al, filed Sep. 21, 2011, entitled Charger for Tablet Computer.

U.S. Appl. No. 29/408,009, Applicant Song et al, filed Dec. 6, 2011, entitled Tablet Computer.

U.S. Appl. No. 29/408,017, Applicant Song et al, filed Dec. 6, 2011, entitled Tablet Computer.

U.S. Appl. No. 29/416,029, Applicant Kim et al., filed Dec. 6, 2011, entitled Tablet Computer.

U.S. Appl. No. 29/416,032, Applicant Kim et al., filed Mar. 16, 2012, entitled Tablet Computer.

U.S. Appl. No. 29/418,670, Applicant Song et al., filed Apr. 19, 2012, entitled Tablet Computer.

U.S. Appl. No. 29/419,893, Applicant Ik-Sang Kim, filed May 2, 2012, entitled Slate Computer.

U.S. Appl. No. 29/419,907, Applicant Ik-Sang Kim, filed May 2, 2012, entitled Slate Computer.

U.S. Appl. No. 29/419,911, Applicant Kim et al., filed May 2, 2012, entitled Tablet Computer.

U.S. Appl. No. 29/420,669, Applicant Lim et al., filed May 11, 2012, entitled Tablet Computer.

U.S. Appl. No. 29/422,467, Applicant Song et al., filed May 21, 2012, entitled Tablet Computer.

U.S. Appl. No. 29/425,977, Applicant Ji-Sang Park, filed Jun. 28, 2012, entitled Tablet Computer.

U.S. Appl. No. 29/431,774, Applicant Lee et al., filed Sep. 11, 2012, entitled Tablet Computer.

U.S. Appl. No. 29/427,736, Applicant Kim et al., filed Jul. 21, 2012, entitled Tablet Computer.

U.S. Appl. No. 29/425,227, Applicant Kim et al., filed Jun. 20, 2012, entitled Tablet Computer.

U.S. Appl. No. 29/425,446, Applicant Kim et al., filed Jun. 22, 2012, entitled Portable Computer.

U.S. Appl. No. 29/425,732, Applicant Park et al., filed Jun. 26, 2012, entitled Portable Computer.

U.S. Appl. No. 29/425,828, Applicant Kim et al., filed Jun. 27, 2012, entitled Portable Computer.

U.S. Appl. No. 29/425,836, Applicant Park et al., filed Jun. 27, 2012, entitled Portable Computer.

* cited by examiner

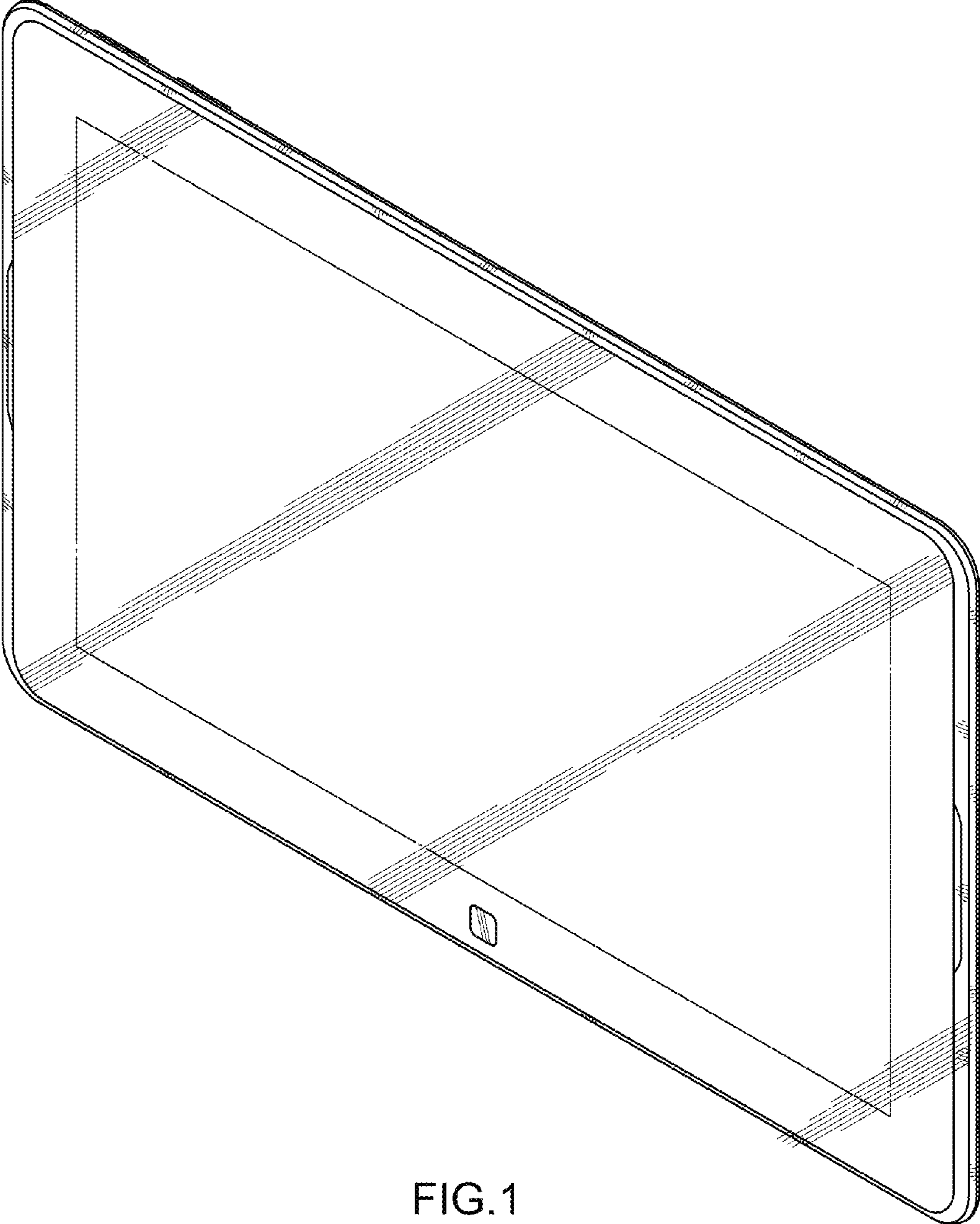


FIG.1

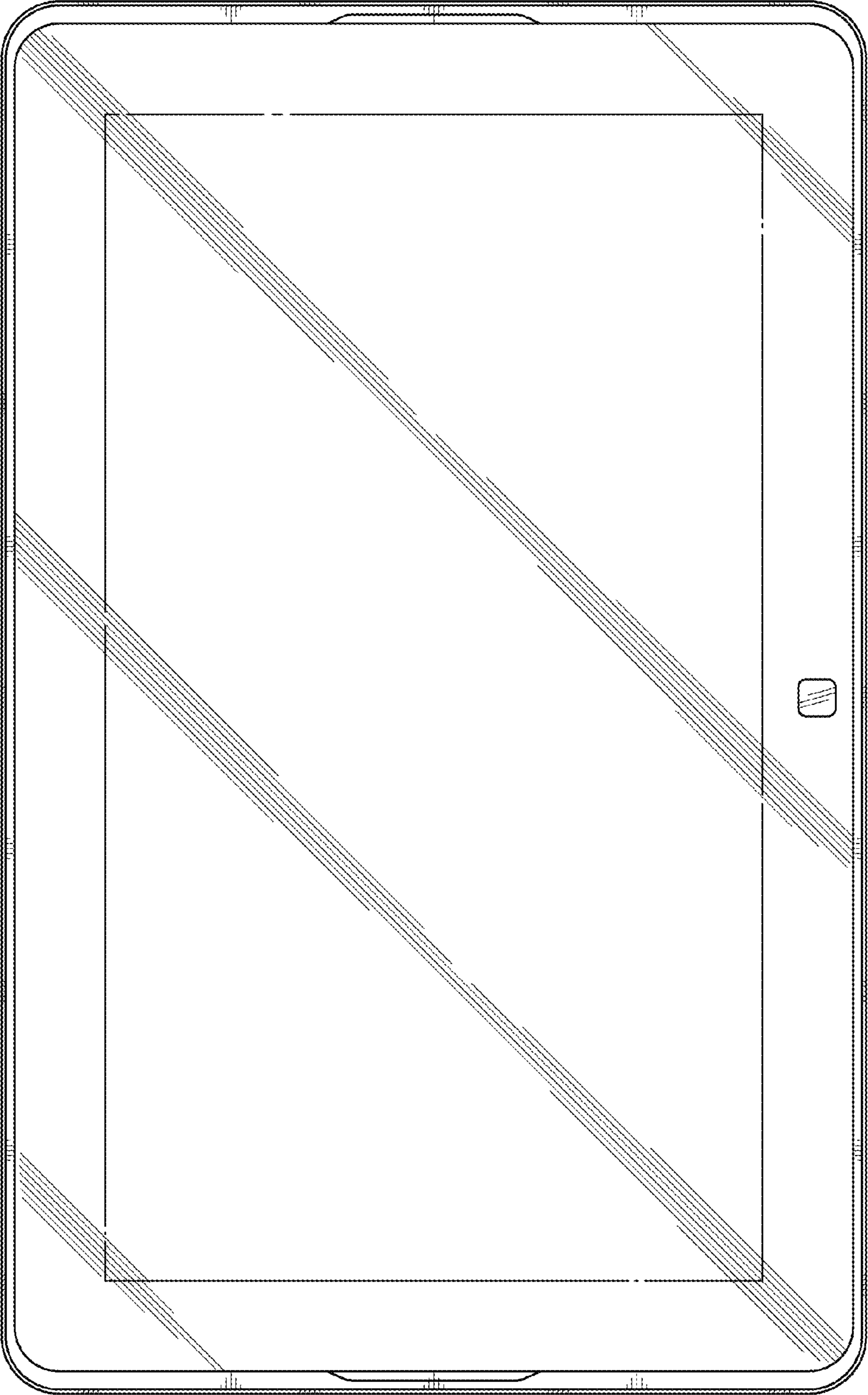


FIG.2

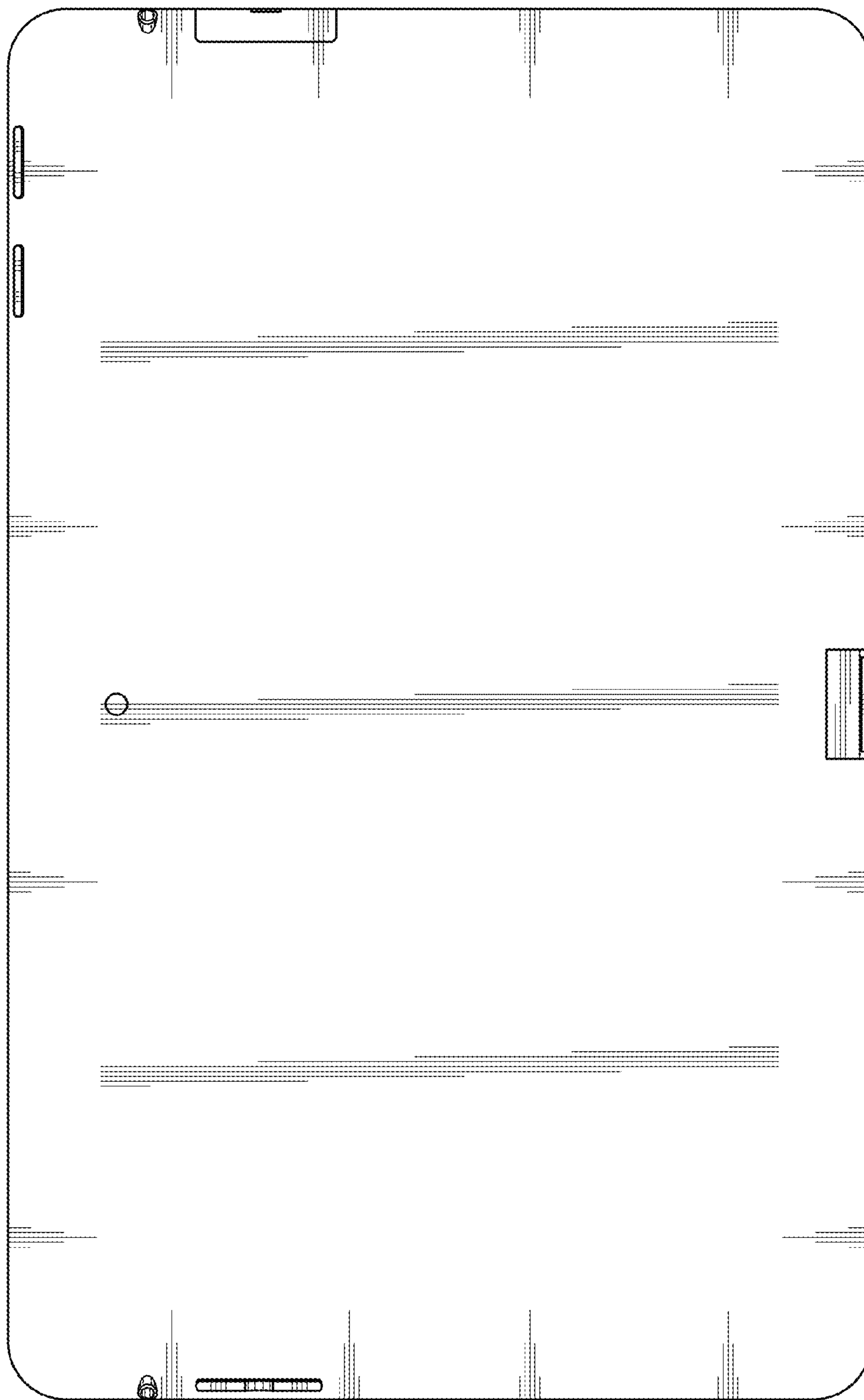


FIG.3

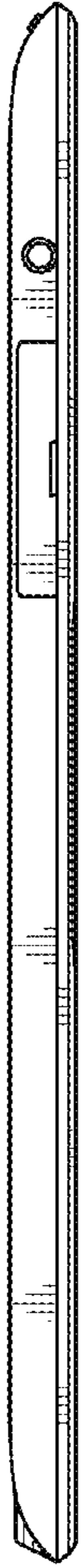


FIG. 4



FIG. 5

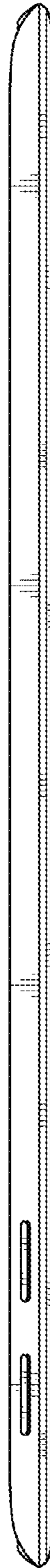


FIG. 6



FIG. 7