

US00D702228S

(12) **United States Design Patent**
Park

(10) **Patent No.:** **US D702,228 S**

(45) **Date of Patent:** **** Apr. 8, 2014**

(54) **TABLET COMPUTER**

(75) Inventor: **Ji-Sang Park**, Yongin (KR)

(73) Assignee: **Samsung Electronics Co., Ltd.**,
Suwon-Si (KR)

(**) Term: **14 Years**

(21) Appl. No.: **29/425,977**

(22) Filed: **Jun. 28, 2012**

(30) **Foreign Application Priority Data**

Jan. 9, 2012 (KR) 30-2012-0001211

(51) **LOC (10) Cl.** **14-02**

(52) **U.S. Cl.**

USPC **D14/341**

(58) **Field of Classification Search**

USPC D14/341-347, 137, 138 AA, 138 R,
D14/138 C, 138 G, 496, 203.1, 203.3, 203.7,
D14/426, 129, 130, 420, 147, 218, 247-248,
D14/389, 388, 315-318; D10/65, 104.1;
D18/6-7; D21/324, 329, 330;
455/556.1, 556.2, 566, 575.1, 90.3;
379/433.04, 433.01, 433.06, 916;
345/173, 901, 905; 361/679.26,
361/679.27, 679.3, 679.55, 679.56,
361/680-686; 248/917-924; 348/373, 376;
D19/60

See application file for complete search history.

(56) **References Cited**

U.S. PATENT DOCUMENTS

D284,084 S 6/1986 Ferrara, Jr.
D306,583 S 3/1990 Krolopp et al.
D333,574 S 3/1993 Ackeret
D337,569 S 7/1993 Kando
D500,991 S 1/2005 Niitsu
D504,889 S * 5/2005 Andre et al. D14/341

D532,791 S 11/2006 Kim
D563,804 S 3/2008 Kimura et al.
D579,930 S 11/2008 Maskatia
D584,738 S 1/2009 Kim et al.
D590,374 S 4/2009 Madonna et al.
D592,214 S 5/2009 Bradford
D602,014 S 10/2009 Andre et al.
D602,487 S 10/2009 Maskatia
D605,626 S 12/2009 Park
D610,582 S 2/2010 Sugitani et al.

(Continued)

FOREIGN PATENT DOCUMENTS

KR 3005985190000 5/2011
KR 3005994750000 5/2011

(Continued)

OTHER PUBLICATIONS

U.S. Appl. No. 29/405,537, Applicant Ik-Sang Kim, filed Nov. 3, 2011, entitled Tablet Computer.

(Continued)

Primary Examiner — Barbara Fox
(74) *Attorney, Agent, or Firm* — Wood, Herron & Evans, LLP

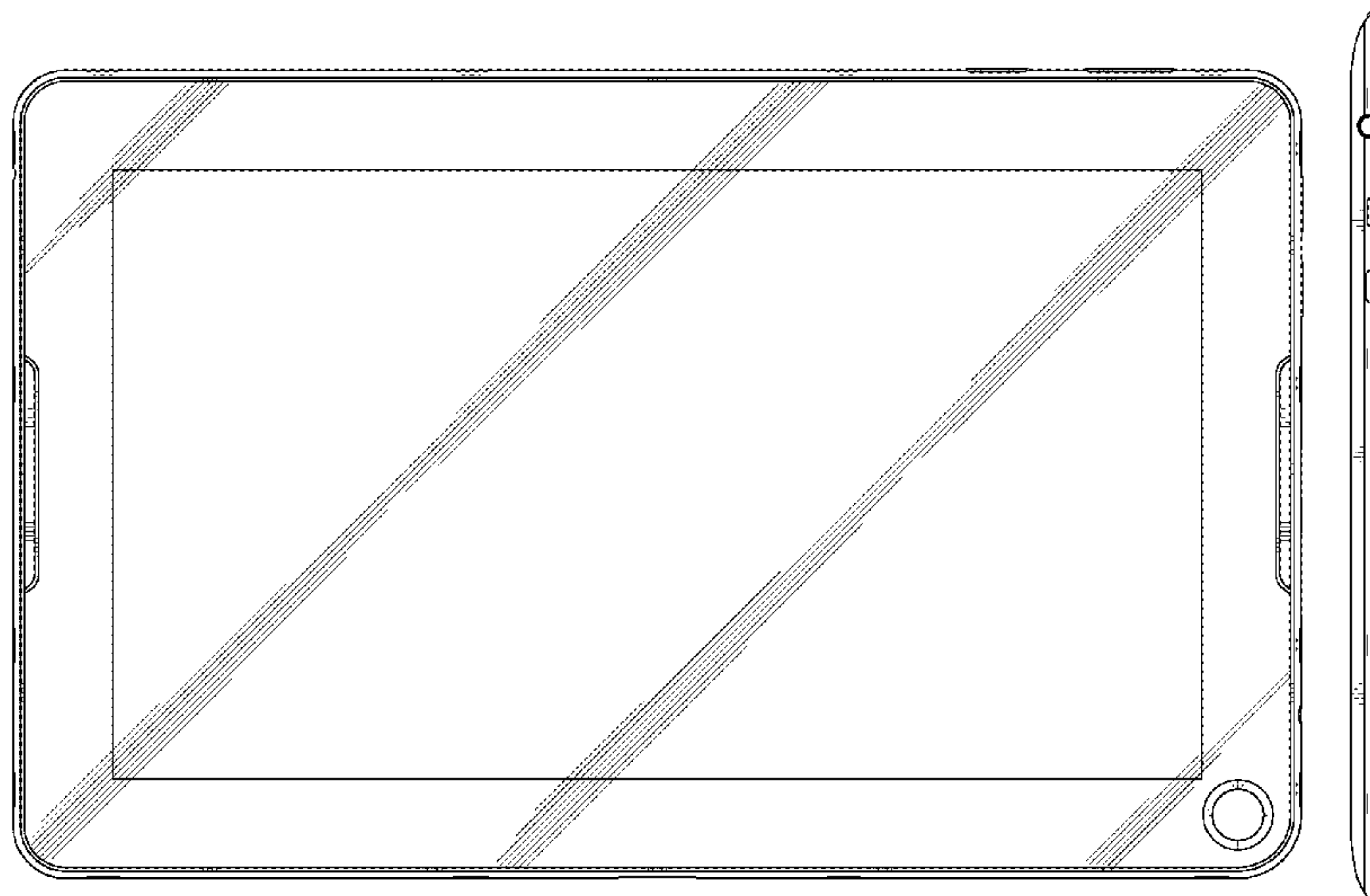
(57) **CLAIM**

The ornamental design for a tablet computer, as shown and described.

DESCRIPTION

FIG. 1 is a top front perspective view of a tablet computer showing my new design;
FIG. 2 is a front elevational view thereof;
FIG. 3 is a rear elevational view thereof;
FIG. 4 is a left side elevational view thereof;
FIG. 5 is a right side elevational view thereof;
FIG. 6 is a top plan view thereof; and,
FIG. 7 is a bottom plan view thereof.

1 Claim, 4 Drawing Sheets



(56)

References Cited

U.S. PATENT DOCUMENTS

D611,364 S 3/2010 Lenz et al.
 D613,510 S 4/2010 Tzeng et al.
 D613,951 S 4/2010 Tang et al.
 D617,793 S 6/2010 Chiang et al.
 D622,270 S 8/2010 Andre et al.
 D627,667 S 11/2010 Lenz et al.
 D628,913 S 12/2010 Cheng
 D629,799 S 12/2010 Andre et al.
 D637,596 S * 5/2011 Akana et al. D14/341
 D640,255 S 6/2011 Lee et al.
 D664,540 S 7/2012 Kim et al.
 D664,954 S 8/2012 Kim et al.
 D664,955 S 8/2012 Kim et al.
 D666,198 S * 8/2012 Van Den Nieuwenhuizen
 et al. D14/341
 D667,398 S * 9/2012 Koh D14/341
 D667,399 S * 9/2012 Koh D14/341
 D669,468 S * 10/2012 Akana et al. D14/341
 D669,469 S * 10/2012 Kang D14/341
 D670,692 S * 11/2012 Akana et al. D14/341
 D671,939 S * 12/2012 Chung D14/374
 D677,659 S * 3/2013 Akana et al. D14/341
 D677,660 S * 3/2013 Groene et al. D14/341
 D678,271 S * 3/2013 Chiu D14/341
 D680,524 S * 4/2013 Feng et al. D14/341
 D681,583 S * 5/2013 Park D14/138 G
 D681,632 S * 5/2013 Akana et al. D14/341
 D685,783 S * 7/2013 Bryan et al. D14/341
 D687,823 S * 8/2013 Ryu et al. D14/341
 D688,661 S * 8/2013 Ho et al. D14/341
 D689,048 S * 9/2013 Wang et al. D14/341
 D689,482 S * 9/2013 Akana et al. D14/341
 2009/0231292 A1 9/2009 Hsieh et al.

FOREIGN PATENT DOCUMENTS

KR 3006004150000 6/2011
 KR 3006004300000 6/2011
 KR 3006046440000 7/2011

OTHER PUBLICATIONS

U.S. Appl. No. 29/407,975, Applicant Chun et al, filed Dec. 6, 2011, entitled Tablet Computer.
 U.S. Appl. No. 29/407,981, Applicant Chun et al, filed Dec. 6, 2011, entitled Cradle for Tablet Computer.
 U.S. Appl. No. 29/407,982, Applicant Lee et al, filed Dec. 6, 2011, entitled Tablet Computer.
 U.S. Appl. No. 29/407,984, Applicant Jeon et al., filed Dec. 6, 2011, entitled Tablet Computer.
 U.S. Appl. No. 29/407,989, Applicant Lee et al, filed Dec. 6, 2011, entitled Cradle for Tablet Computer.
 U.S. Appl. No. 29/407,996, Applicant Jeon et al, filed Sep. 21, 2011, entitled Charger for Tablet Computer.
 U.S. Appl. No. 29/408,009, Applicant Song et al, filed Dec. 6, 2011, entitled Tablet Computer.
 U.S. Appl. No. 29/408,017, Applicant Song et al, filed Dec. 6, 2011, entitled Tablet Computer.
 U.S. Appl. No. 29/416,029, Applicant Kim et al., filed Dec. 6, 2011, entitled Tablet Computer.
 U.S. Appl. No. 29/416,032, Applicant Kim et al., filed Mar. 16, 2012, entitled Tablet Computer.
 U.S. Appl. No. 29/418,670, Applicant Song et al., filed Apr. 19, 2012, entitled Tablet Computer.
 U.S. Appl. No. 29/425,828, Applicant Kim et al., filed Jun. 27, 2012, entitled Portable Computer.
 U.S. Appl. No. 29/425,836, Applicant Park et al., filed Jun. 27, 2012, entitled Portable Computer.

* cited by examiner

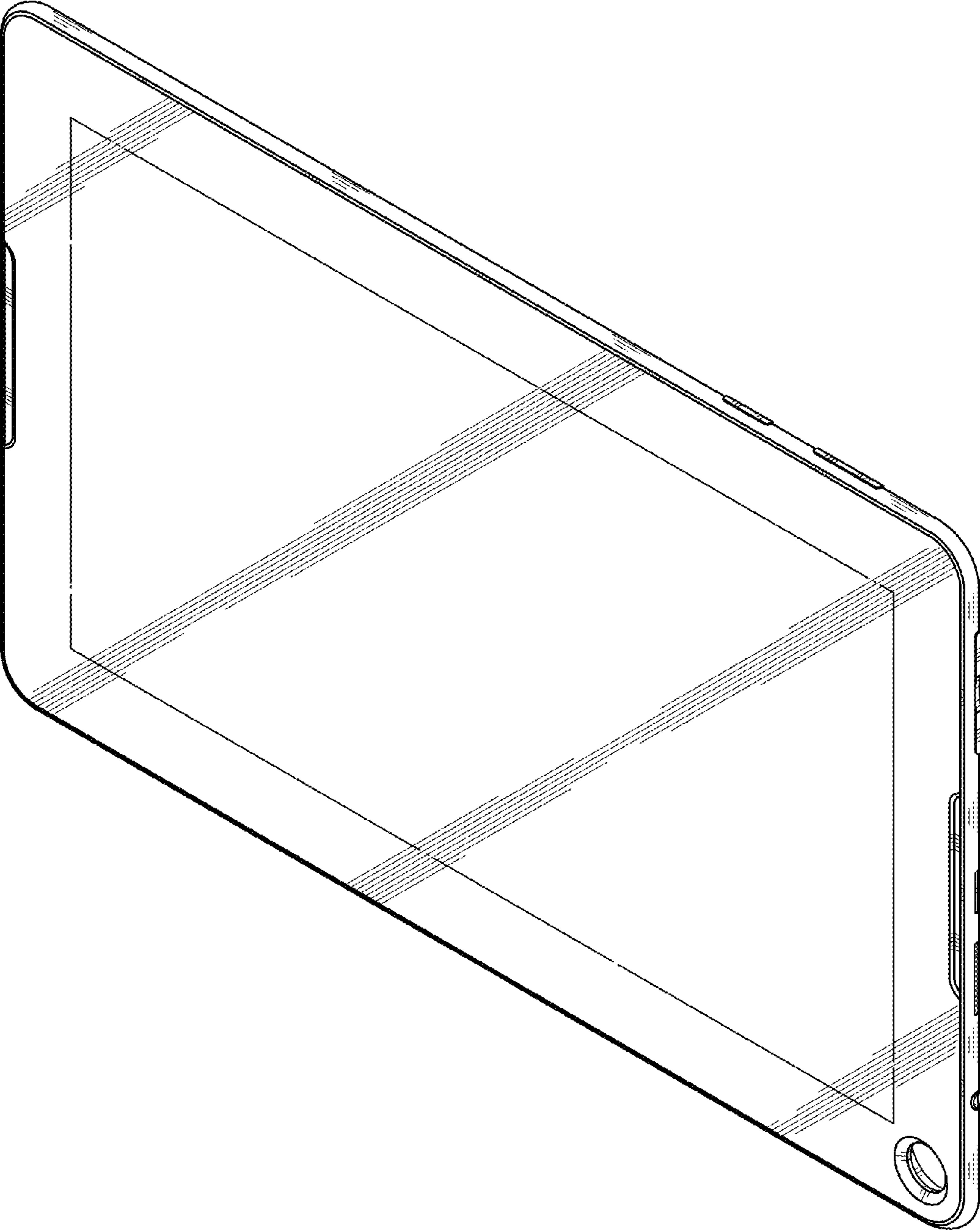


FIG.1

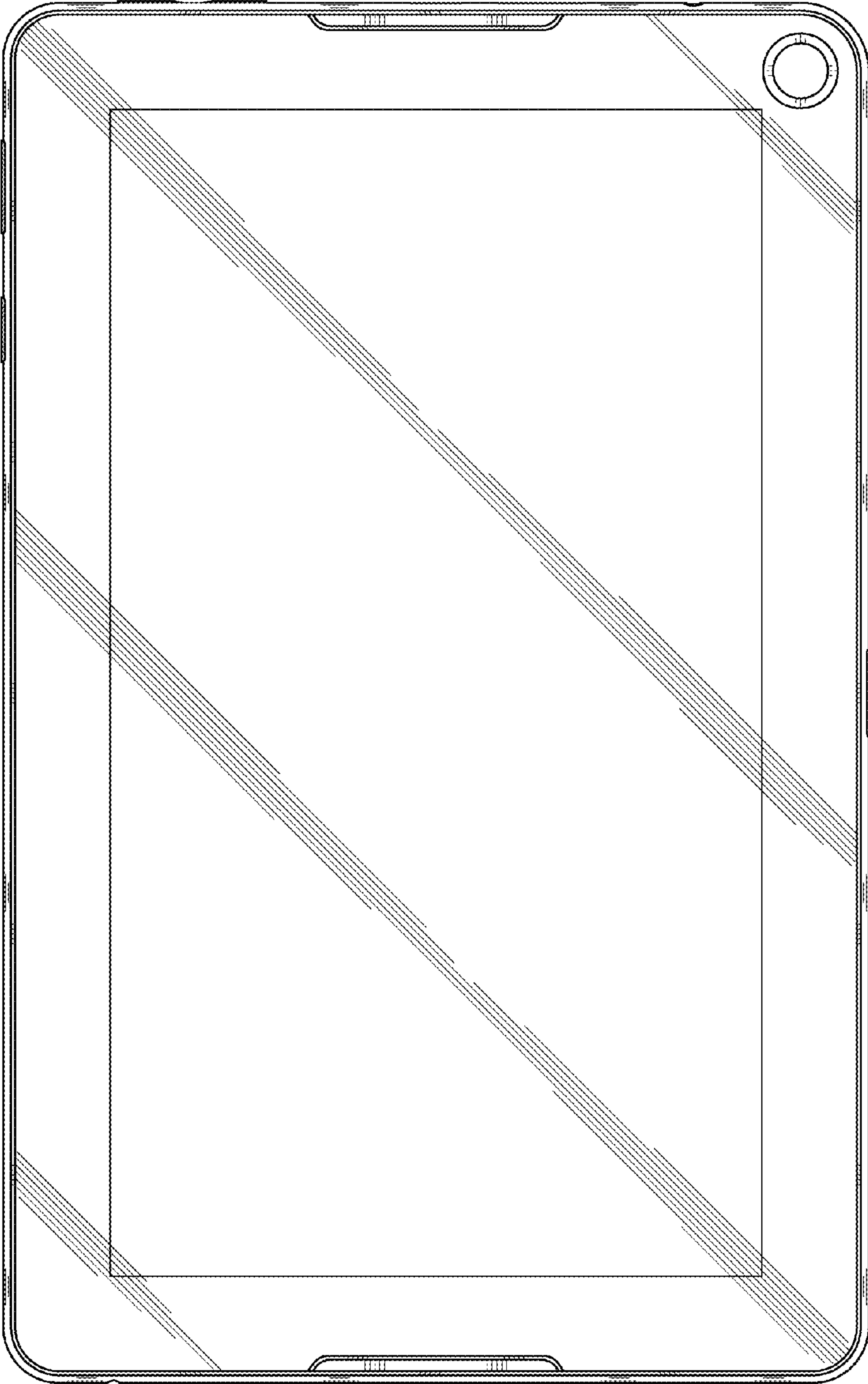


FIG.2

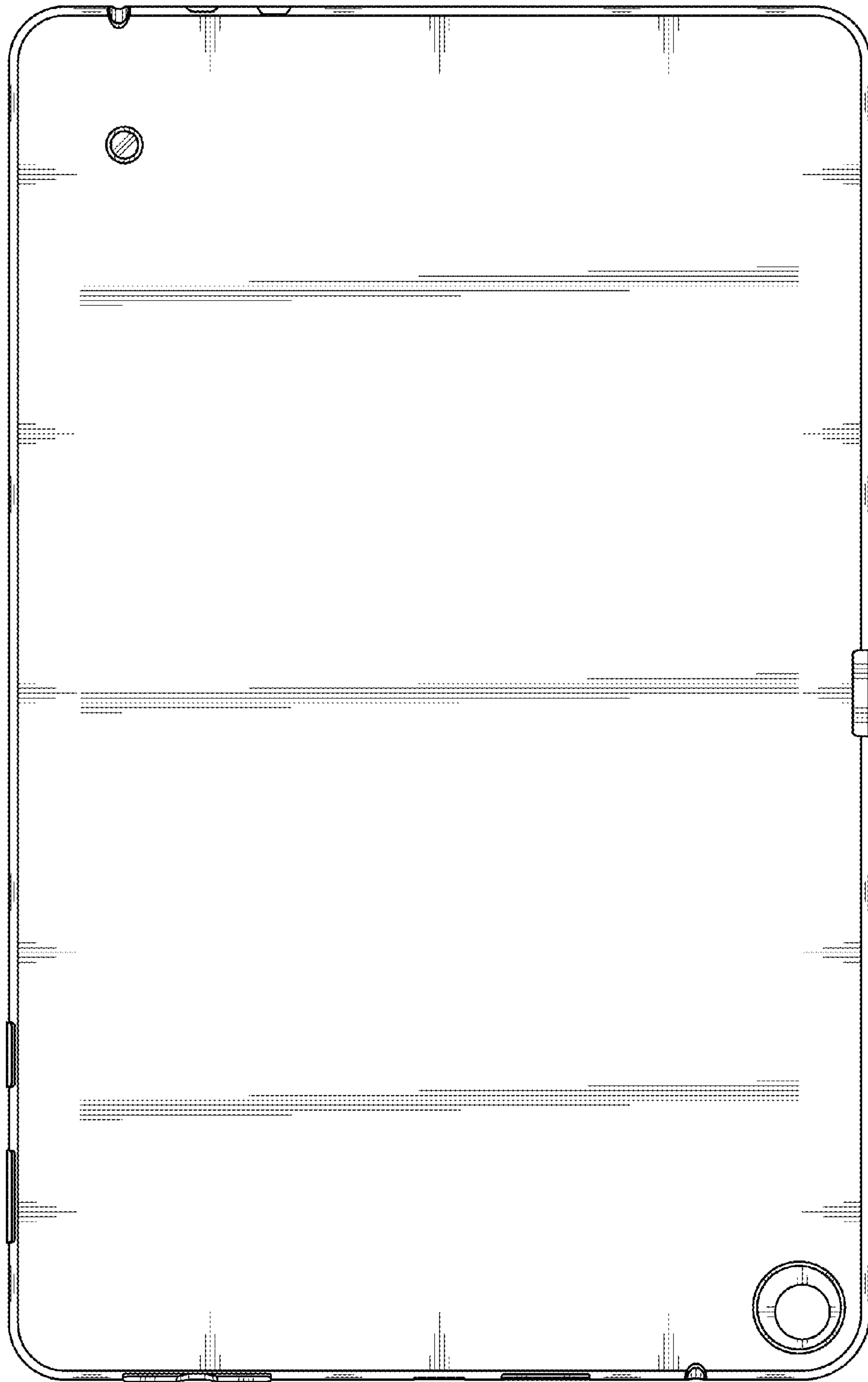


FIG.3

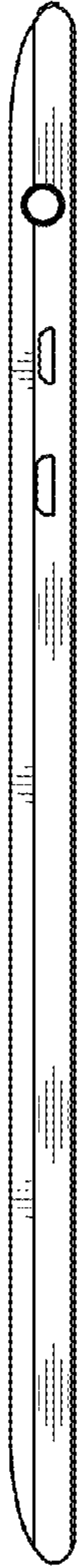


FIG. 4

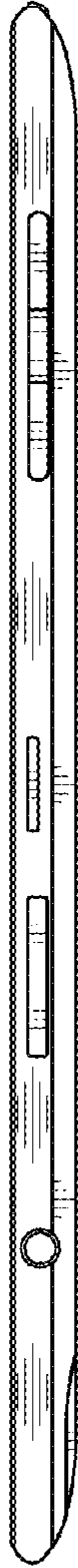


FIG. 5

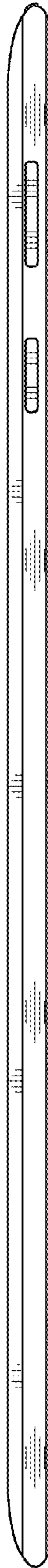


FIG. 6

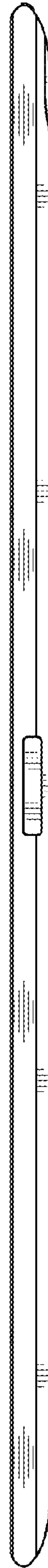


FIG. 7

UNITED STATES PATENT AND TRADEMARK OFFICE
CERTIFICATE OF CORRECTION

PATENT NO. : D702,228 S
APPLICATION NO. : 29/425977
DATED : April 8, 2014
INVENTOR(S) : Ji-Sang Park

Page 1 of 1

It is certified that error appears in the above-identified patent and that said Letters Patent is hereby corrected as shown below:

Title Page 2, Column 2, the following 11 NPL's should be listed in the OTHER PUBLICATIONS:

-- U.S. Serial No. 29/419,893, Applicant Ik-Sang Kim, filed May 2, 2012, entitled SLATE COMPUTER.
U.S. Serial No. 29/419,907, Applicant Ik-Sang Kim, filed May 2, 2012, entitled SLATE COMPUTER.
U.S. Serial No. 29/419,911, Applicant Kim et al., filed May 2, 2012, entitled TABLET COMPUTER.
U.S. Serial No. 29/420,669, Applicant Lim et al., filed May 11, 2012, entitled TABLET COMPUTER.
U.S. Serial No. 29/422,467, Applicant Song et al., filed May 21, 2012, entitled TABLET COMPUTER.
U.S. Serial No. 29/425,977, Applicant Ji-Sang Park, filed June 28, 2012, entitled TABLET COMPUTER.
U.S. Serial No. 29/425,978, Applicant Lim et al., filed June 28, 2012, entitled TABLET COMPUTER.
U.S. Serial No. 29/427,736, Applicant Kim et al., filed July 21, 2012, entitled TABLET COMPUTER.
U.S. Serial No. 29/425,227, Applicant Kim et al., filed June 20, 2012, entitled TABLET COMPUTER.
U.S. Serial No. 29/425,446, Applicant Kim et al., filed June 22, 2012, entitled PORTABLE COMPUTER.
U.S. Serial No. 29/425,732, Applicant Park et al., filed June 26, 2012, entitled PORTABLE COMPUTER. --

Signed and Sealed this
Sixth Day of January, 2015



Michelle K. Lee
Deputy Director of the United States Patent and Trademark Office