



US00D702218S

(12) **United States Design Patent**
Wu et al.

(10) **Patent No.:** **US D702,218 S**
(45) **Date of Patent:** **** Apr. 8, 2014**

- (54) **MODEM**
- (71) Applicant: **General Instrument Corporation**,
Horsham, PA (US)
- (72) Inventors: **Liang Hua Wu**, Taipei (TW); **Willie Y. Fong**, San Francisco, CA (US); **Stephen A. Lawson**, San Francisco, CA (US); **Tzu-Hsiang Lee**, Taoyuan (TW)
- (73) Assignee: **General Instrument Corporation**,
Horsham, PA (US)
- (**) Term: **14 Years**
- (21) Appl. No.: **29/433,394**
- (22) Filed: **Sep. 28, 2012**
- (51) **LOC (10) Cl.** **14-03**
- (52) **U.S. Cl.**
USPC **D14/242**
- (58) **Field of Classification Search**
USPC D14/242, 240, 357, 358, 140-140.9,
D14/155, 137, 139, 243, 348, 349, 351, 354,
D14/355; 375/222; 455/557; 725/111
See application file for complete search history.

(56) **References Cited**

U.S. PATENT DOCUMENTS

D305,753 S * 1/1990 Hoshino D14/351
D413,021 S * 8/1999 Wheatley et al. D14/240

(Continued)

FOREIGN PATENT DOCUMENTS

CN RGN301112193 * 1/2010

OTHER PUBLICATIONS

“Surfboard SB6120 Cable Modem Data Sheet”, Motorola, Inc.,
2009.

(Continued)

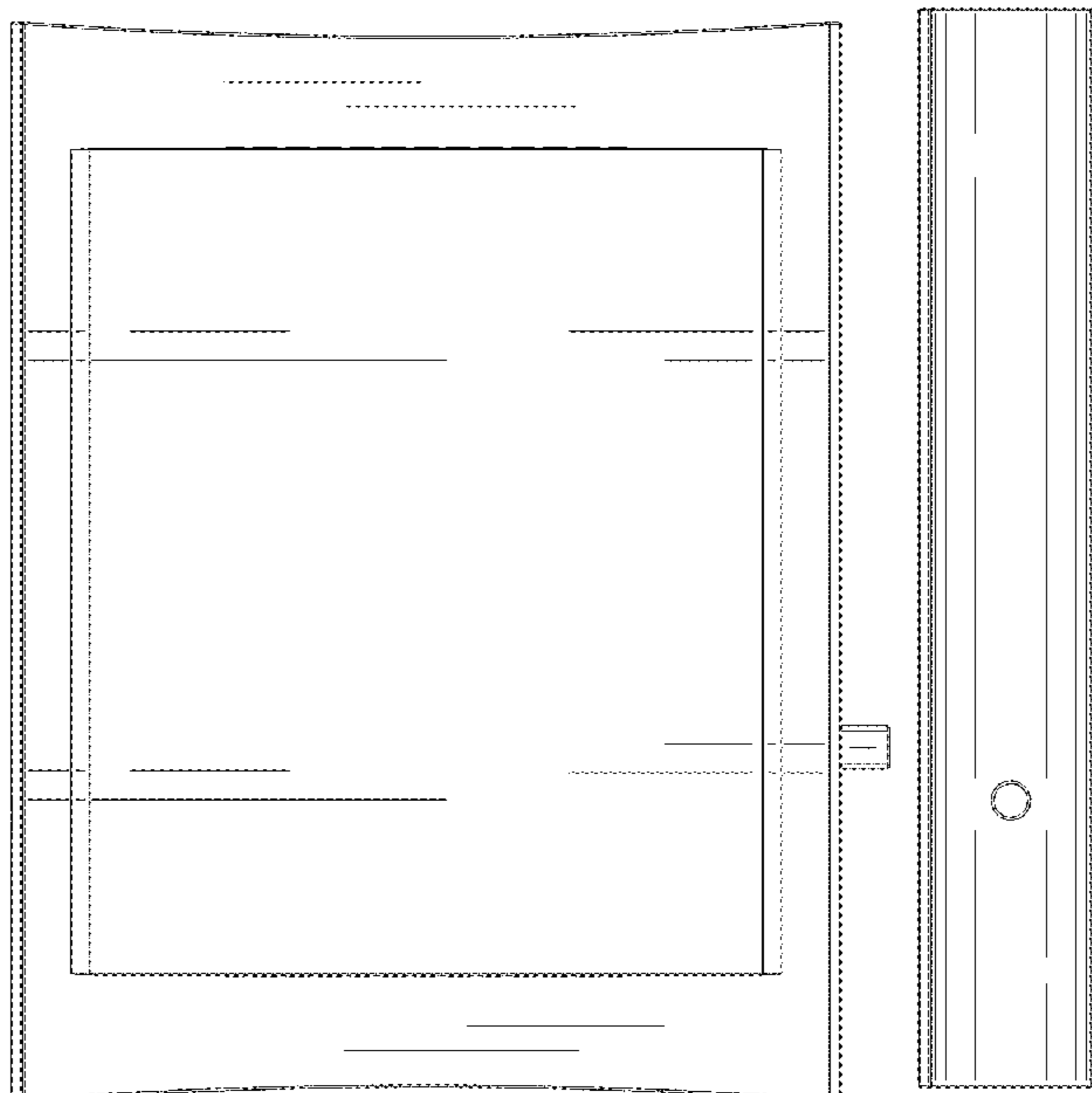
Primary Examiner — Bridget L Eland
(74) *Attorney, Agent, or Firm* — Stewart M. Wiener

(57) **CLAIM**
The ornamental design for a modem, as shown and described.

DESCRIPTION

FIG. 1 is a front perspective view of a first embodiment of an ornamental design for a modem;
 FIG. 2 is a rear perspective view of the first embodiment thereof;
 FIG. 3 is a first side view of the first embodiment thereof;
 FIG. 4 is a second side view of the first embodiment thereof;
 FIG. 5 is a front view of the first embodiment thereof;
 FIG. 6 is a rear view of the first embodiment thereof;
 FIG. 7 is a top view of the first embodiment thereof; and
 FIG. 8 is a bottom view of the first embodiment thereof.
 FIG. 9 is a front perspective view of a second embodiment of an ornamental design for a modem;
 FIG. 10 is a rear perspective view of the second embodiment thereof;
 FIG. 11 is a first side view of the second embodiment thereof;
 FIG. 12 is a second side view of the second embodiment thereof;
 FIG. 13 is a front view of the second embodiment thereof;
 FIG. 14 is a rear view of the second embodiment thereof;
 FIG. 15 is a top view of the second embodiment thereof; and,
 FIG. 16 is a bottom view of the second embodiment thereof.
 The broken lines shown in FIGS. 1-8, that are immediately adjacent to the shaded areas, and define unshaded regions, represent the bounds of the first embodiment, while all other broken lines are directed to environment and are for illustrative purposes only; the broken lines form no part of the first embodiment.

1 Claim, 12 Drawing Sheets



US D702,218 S

Page 2

(56)

References Cited

U.S. PATENT DOCUMENTS

D431,243 S * 9/2000 Oba D14/351
D453,019 S * 1/2002 Oba D14/348
D486,479 S * 2/2004 Chung D14/240
D490,402 S * 5/2004 Jung et al. D14/240
D502,173 S * 2/2005 Jung et al. D14/240
D538,273 S * 3/2007 Liu D14/240

D606,542 S * 12/2009 Lu et al. D14/356
D650,782 S * 12/2011 Hogan D14/358
D660,829 S * 5/2012 Wang D14/240

OTHER PUBLICATIONS

“SBG941/U/E Series: Surfboard Wireless Cable Modem Gateway with Four-Port Switch Data Sheet”, Motorola, Inc., 2010.

* cited by examiner

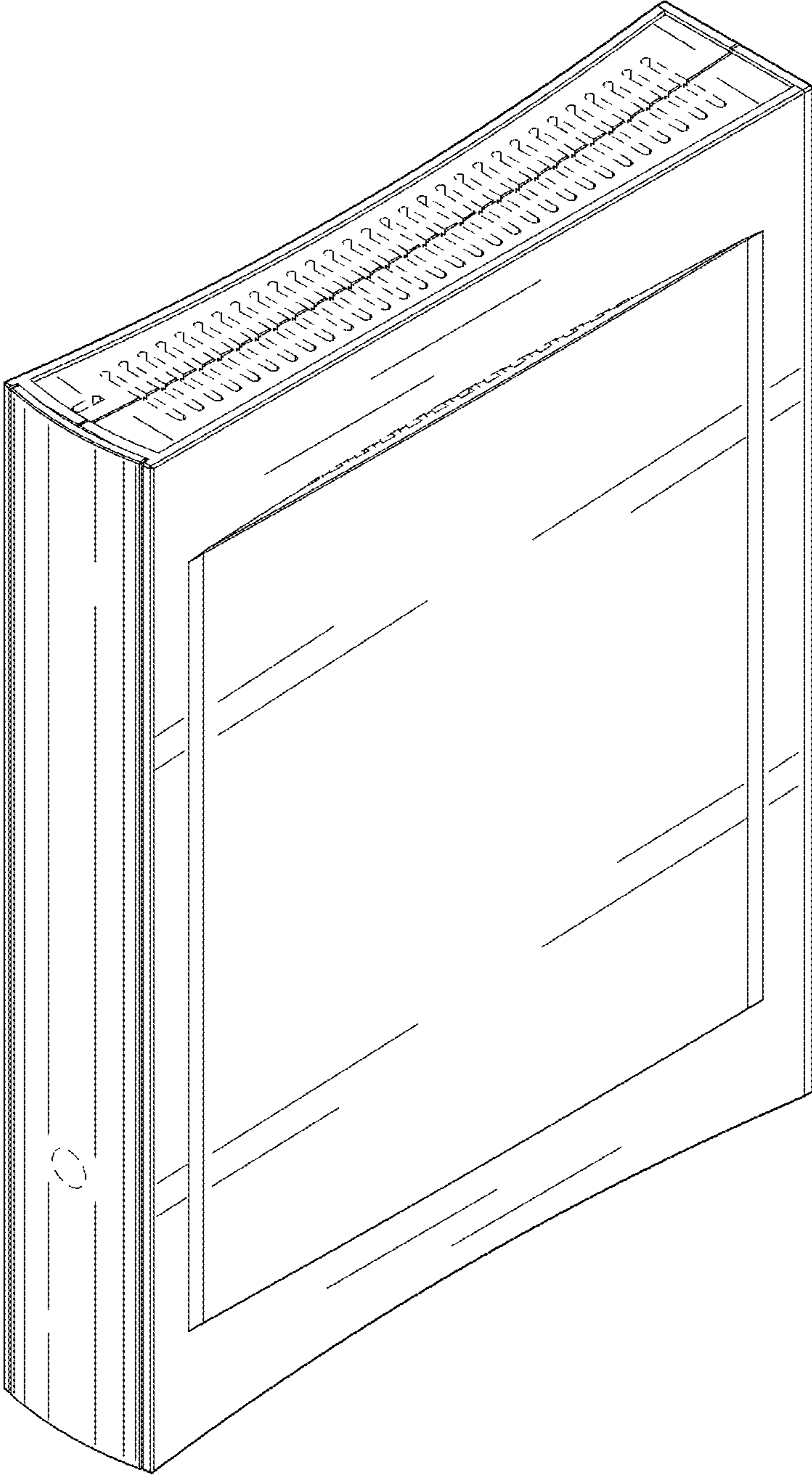


FIG. 1

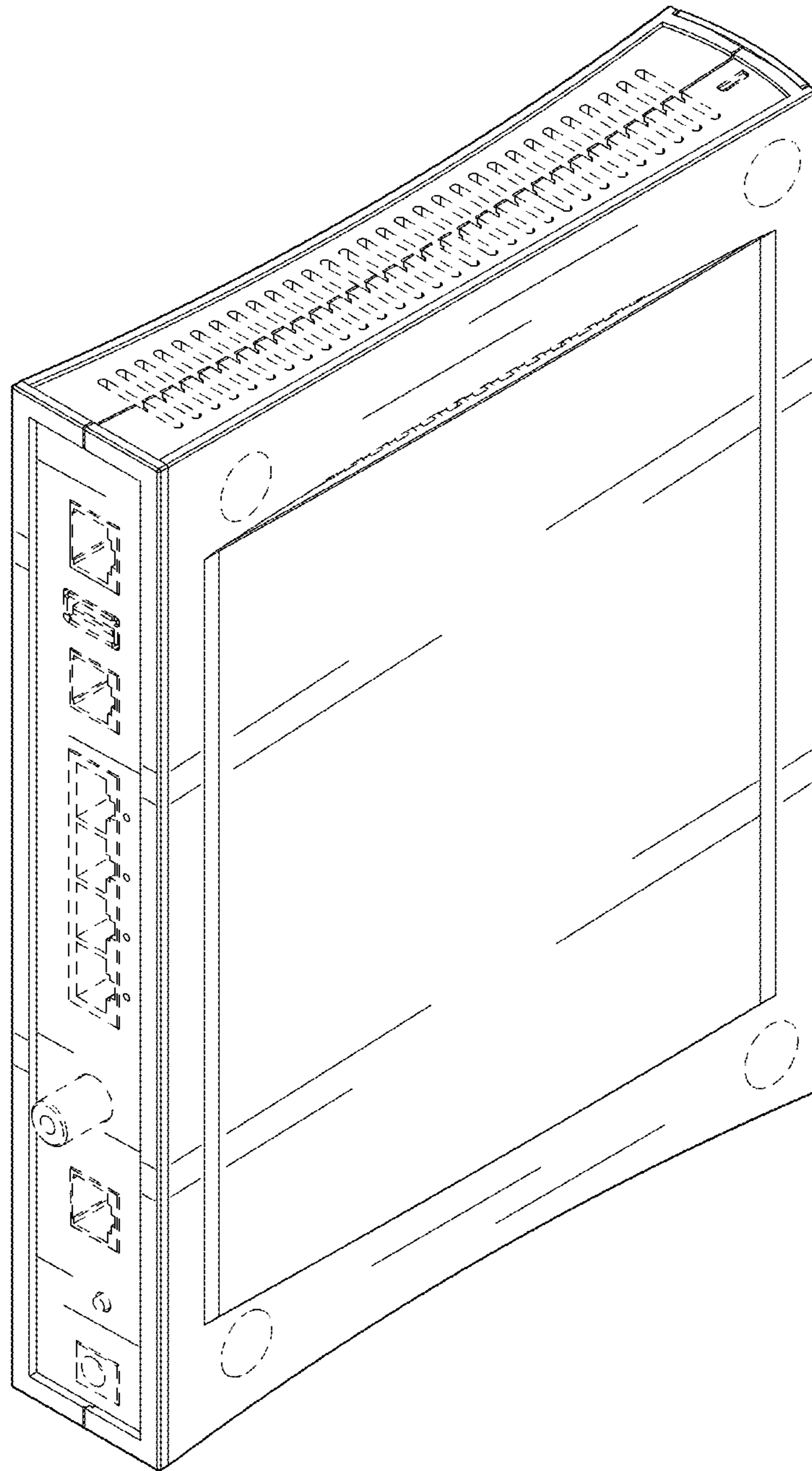


FIG. 2

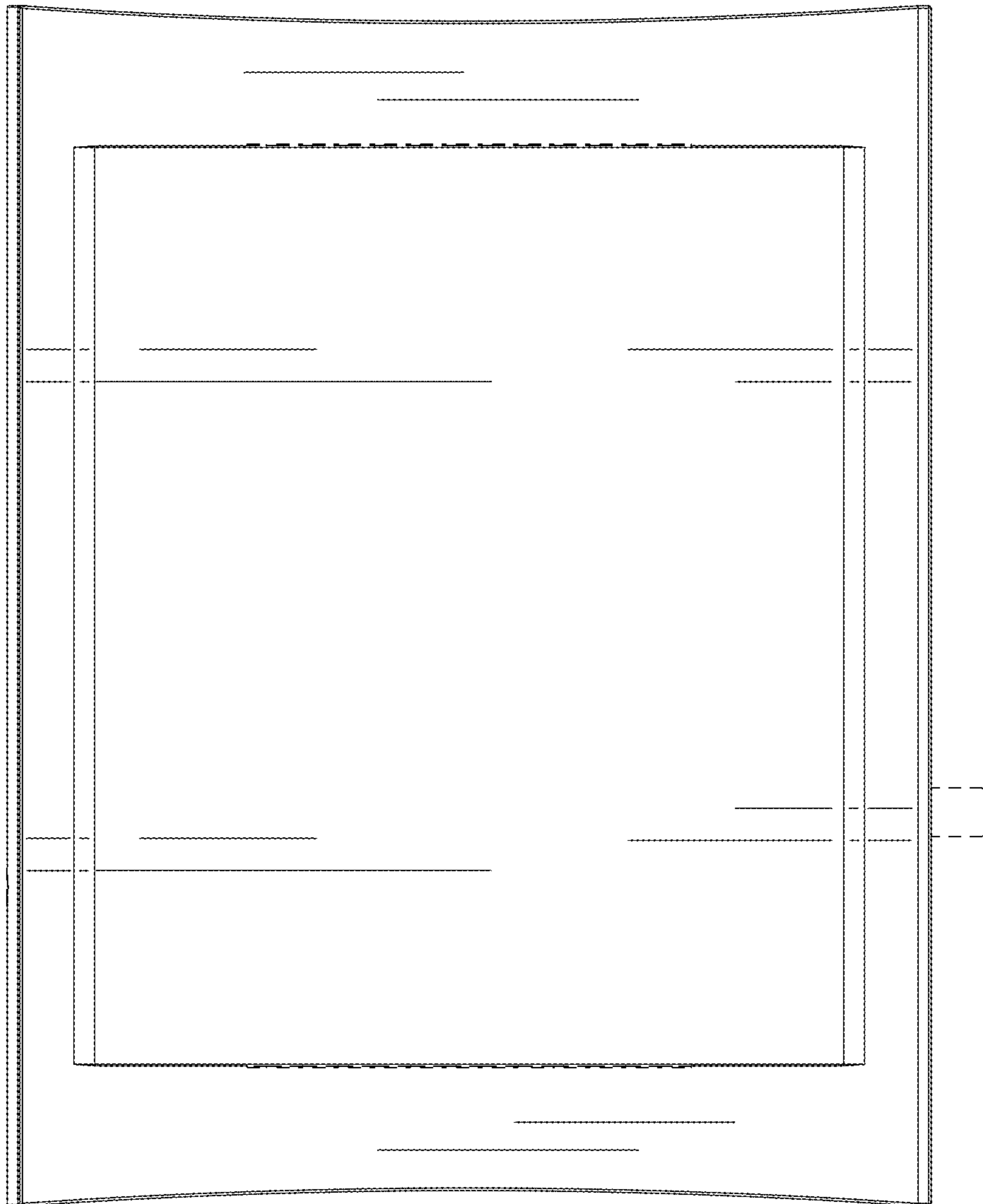


FIG. 3

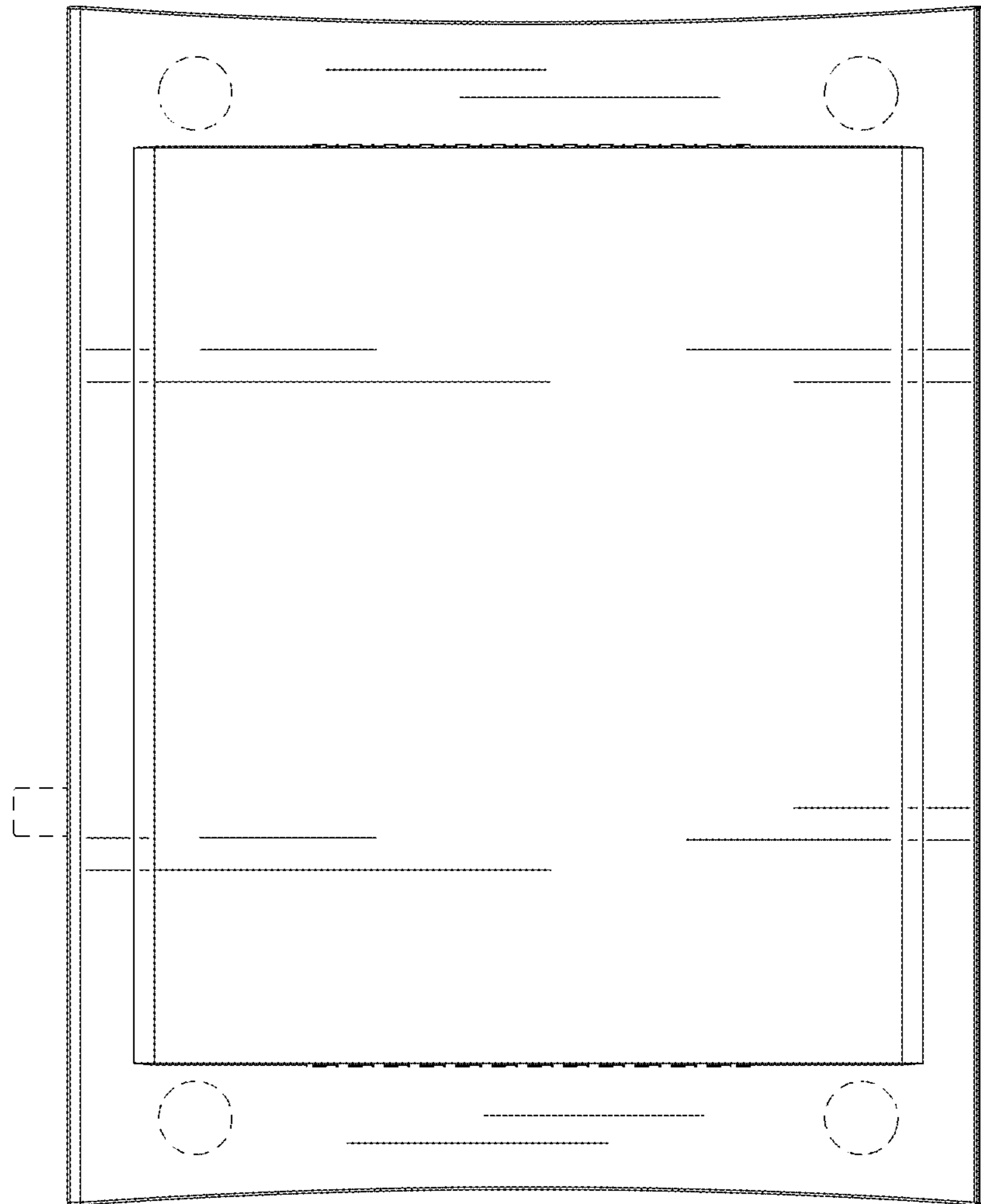


FIG. 4

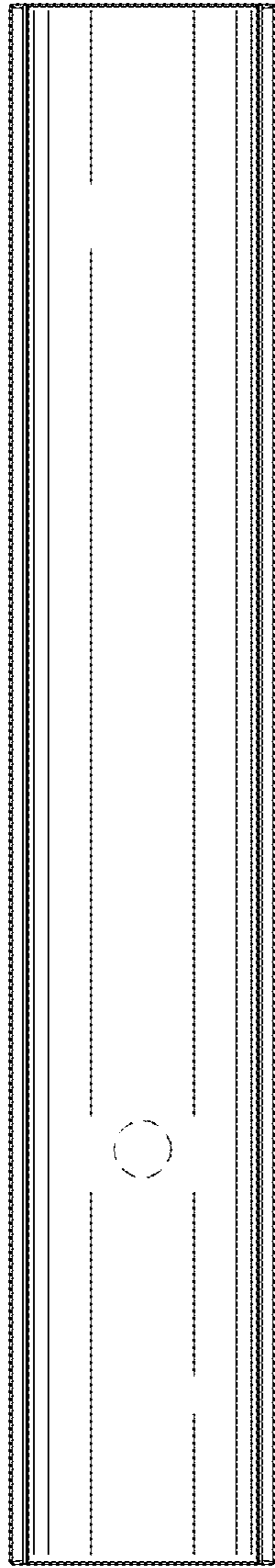


FIG. 5

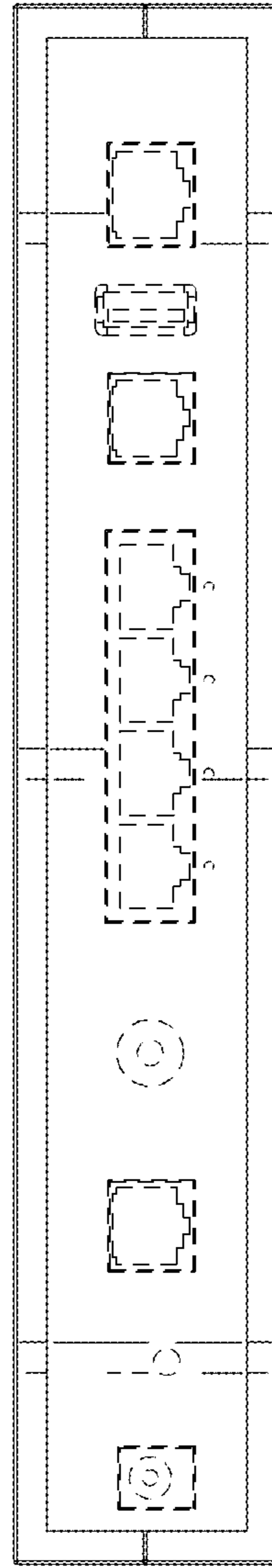


FIG. 6

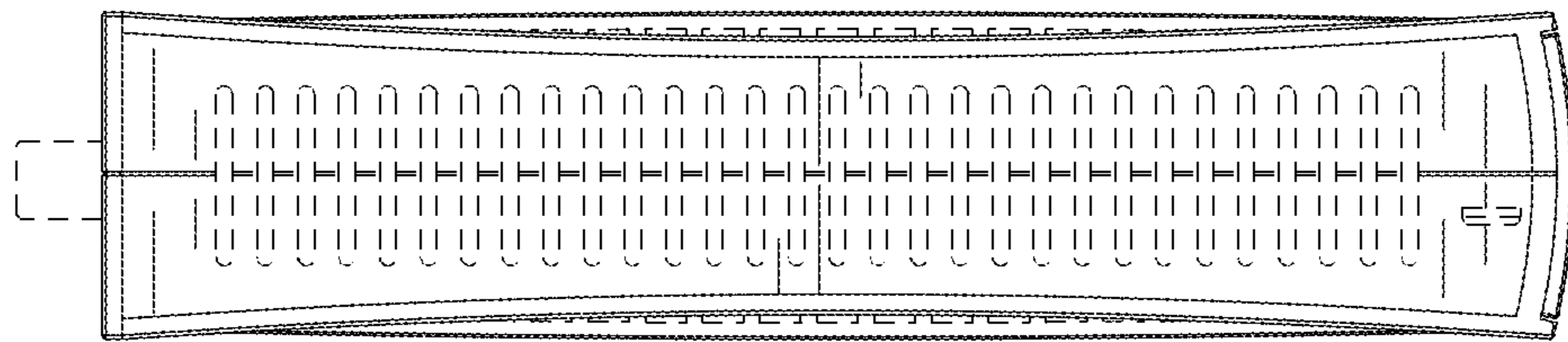


FIG. 7

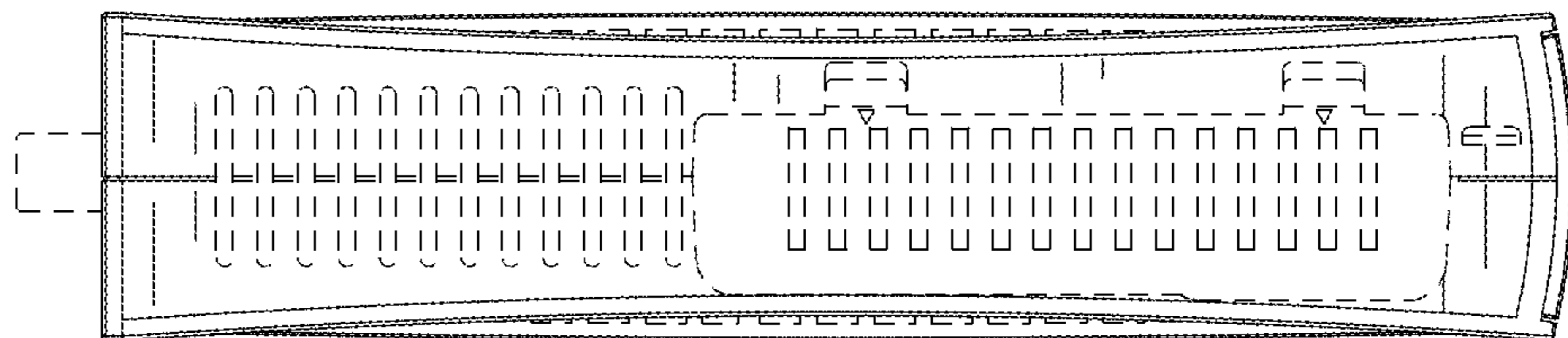


FIG. 8

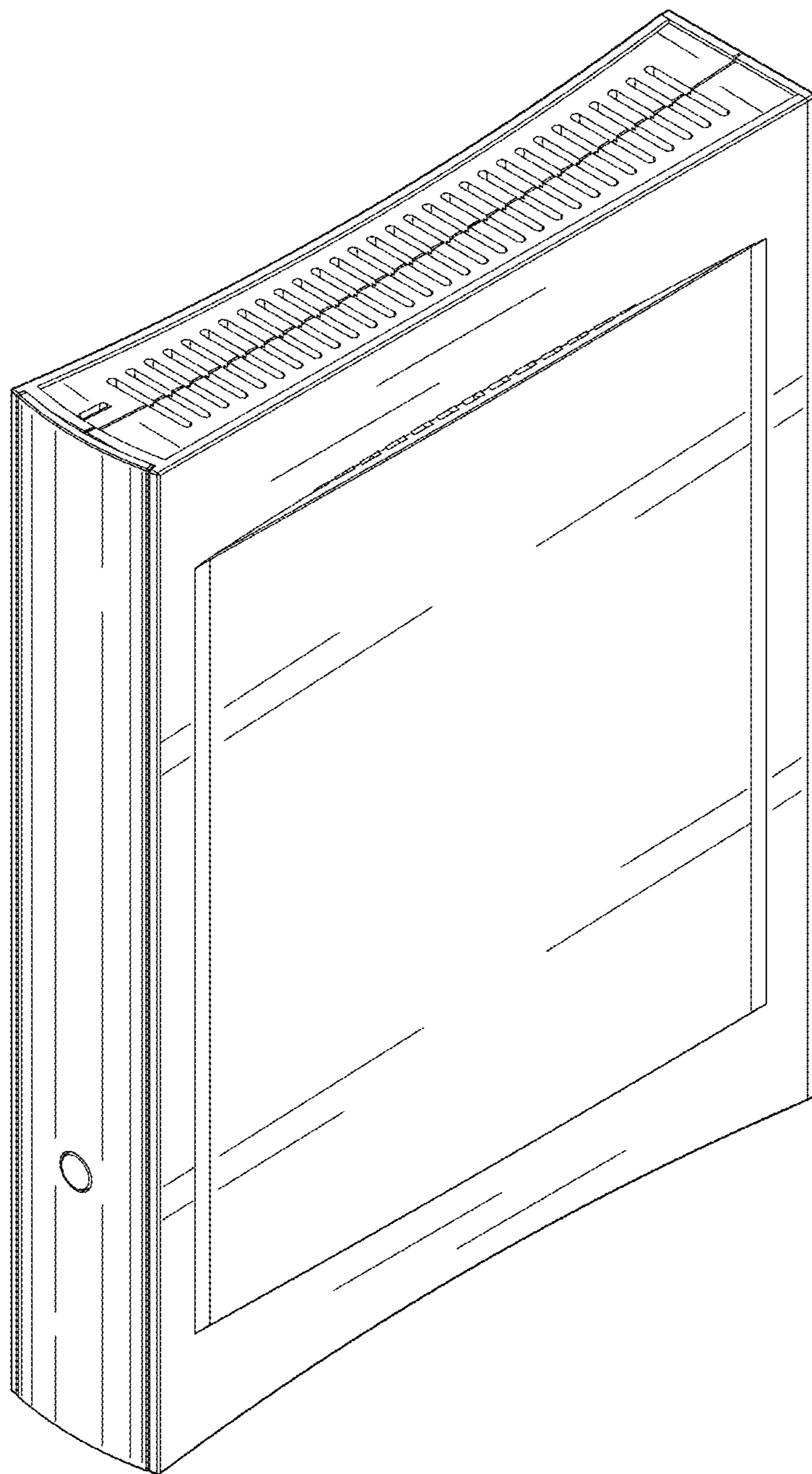


FIG. 9

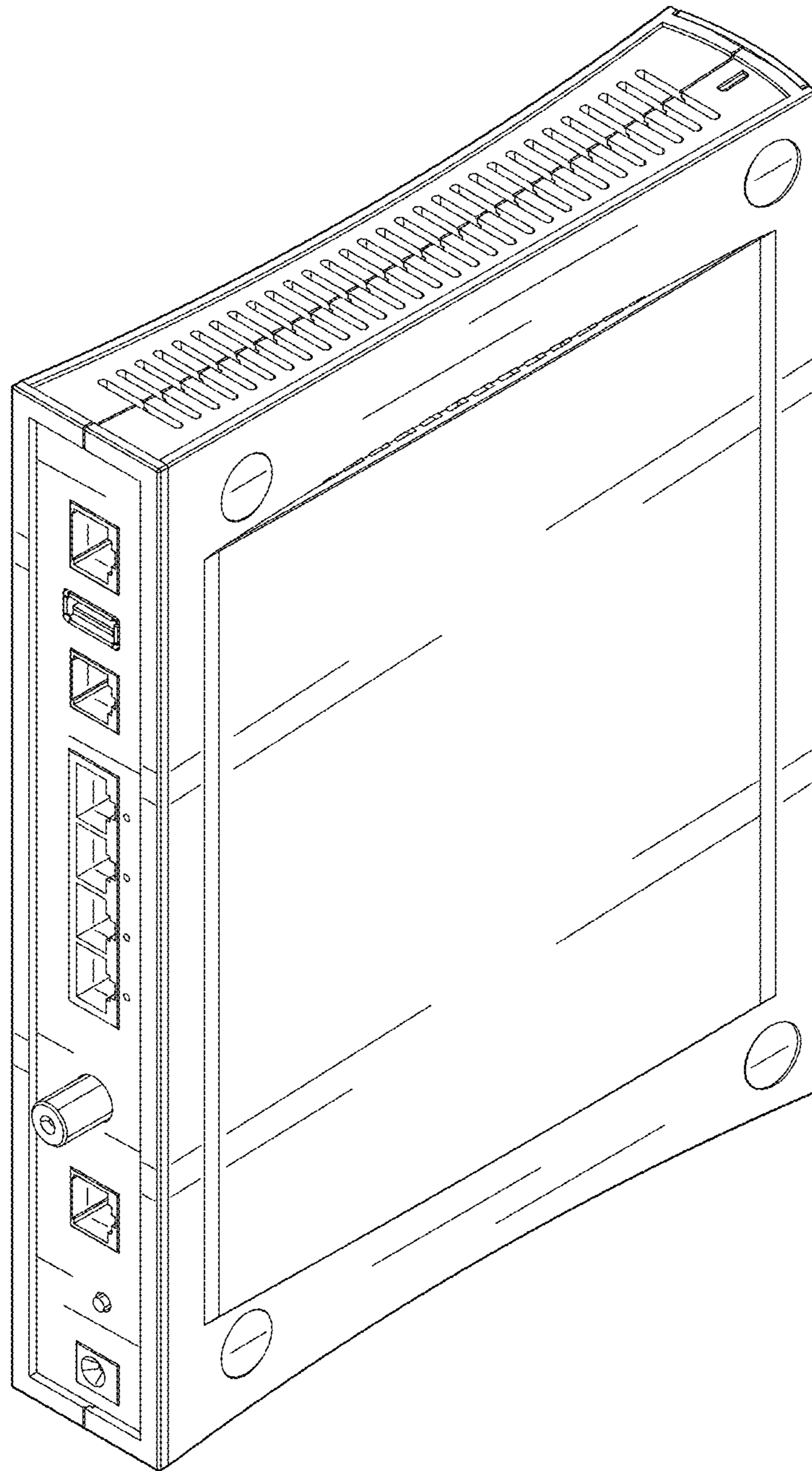


FIG. 10

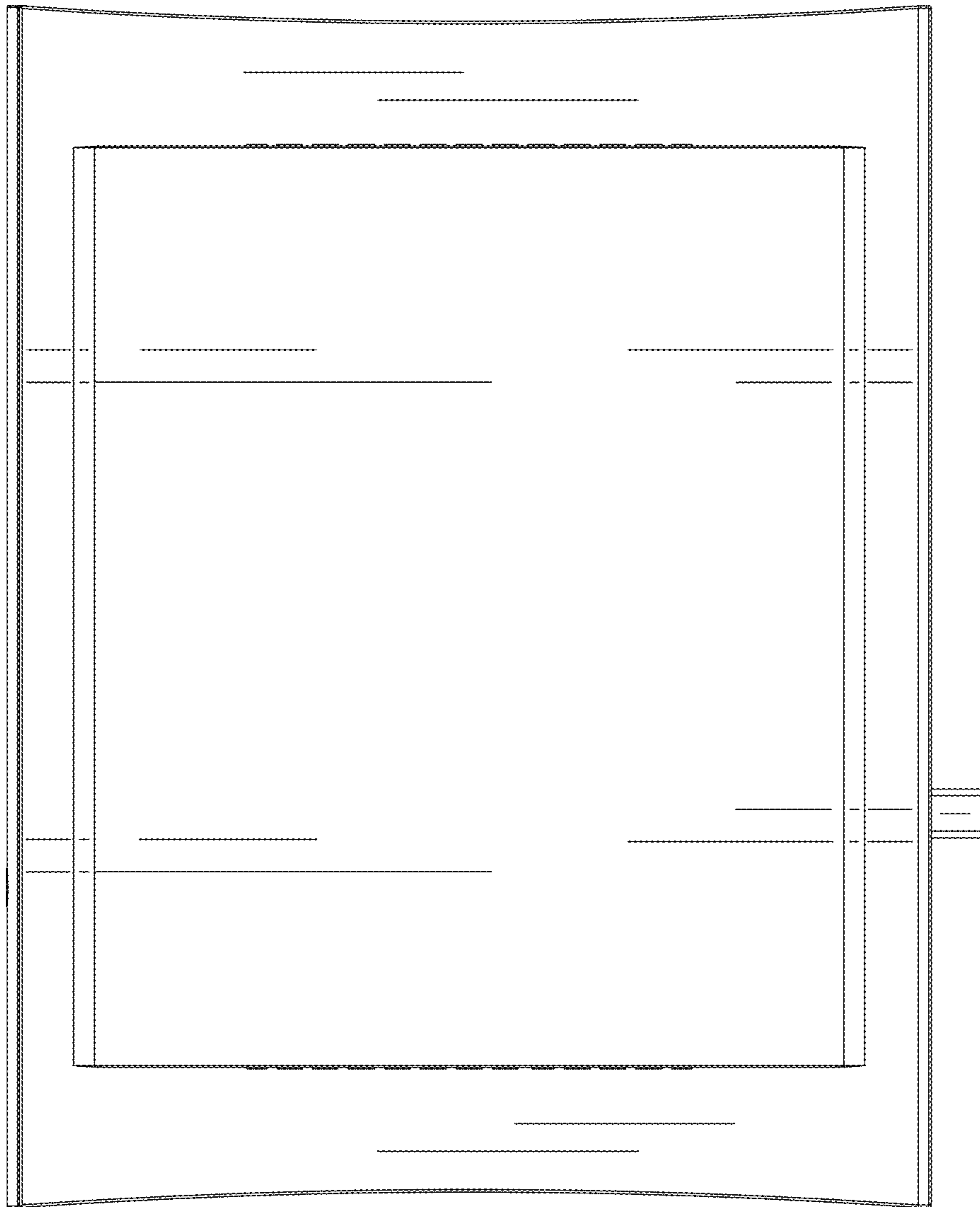


FIG. 11

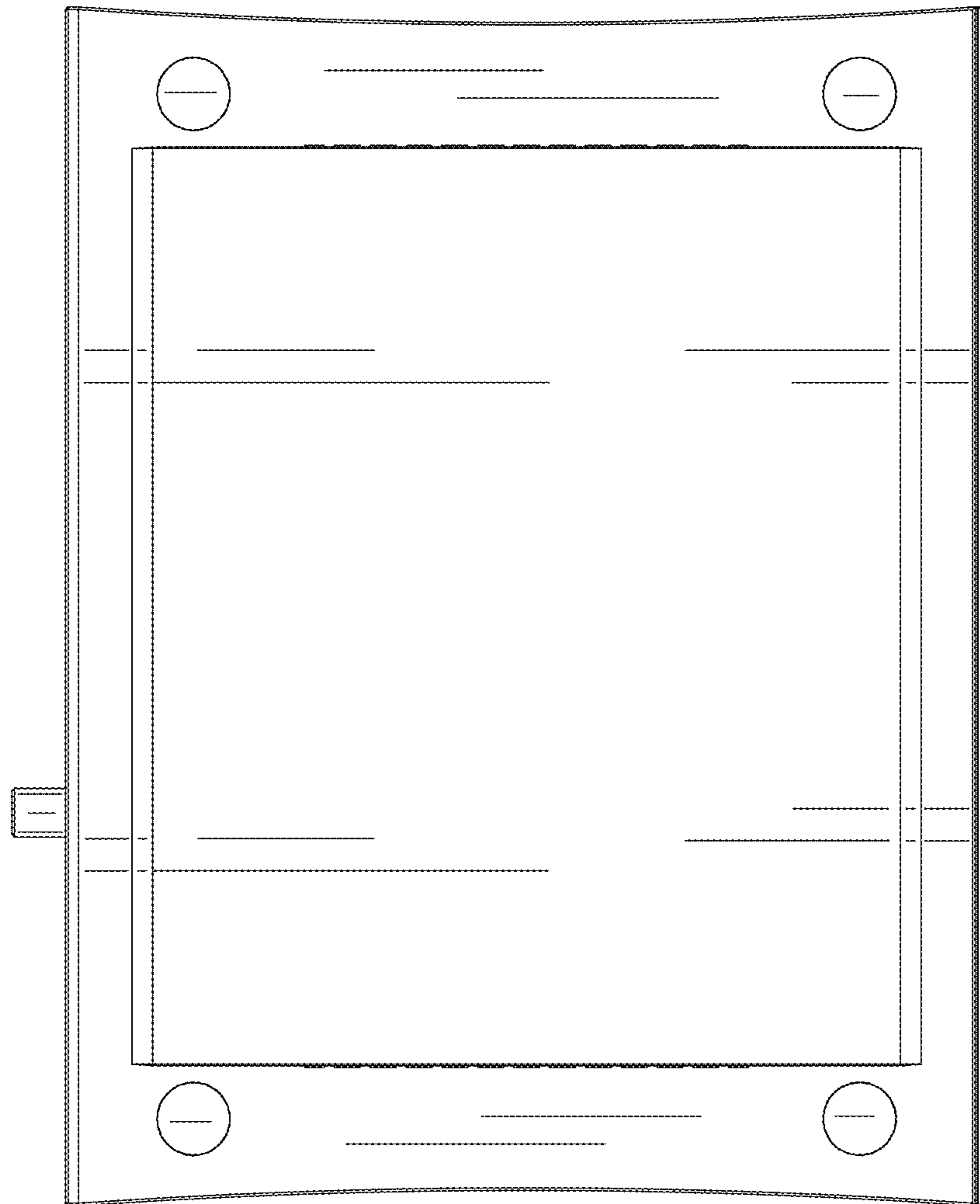


FIG. 12

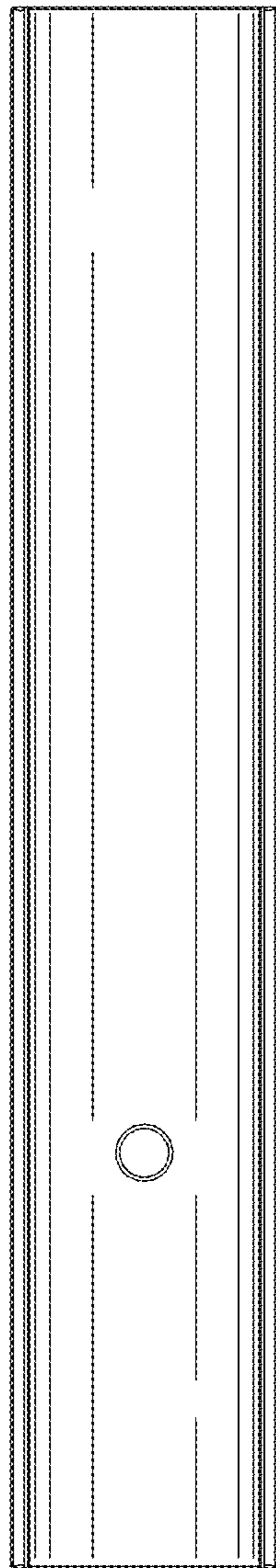


FIG. 13

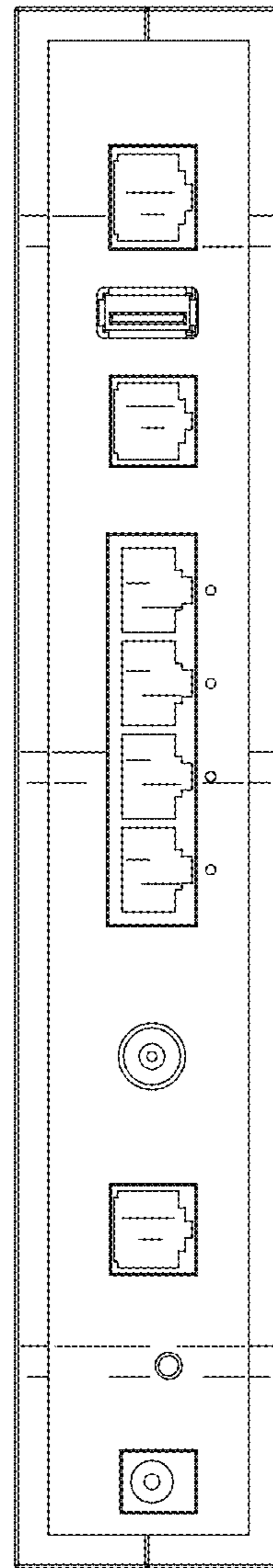


FIG. 14

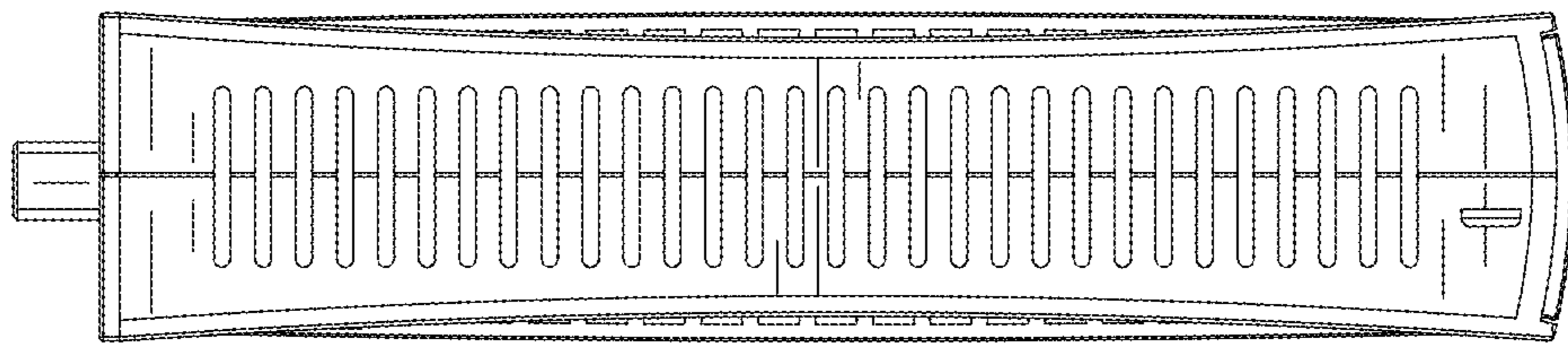


FIG. 15

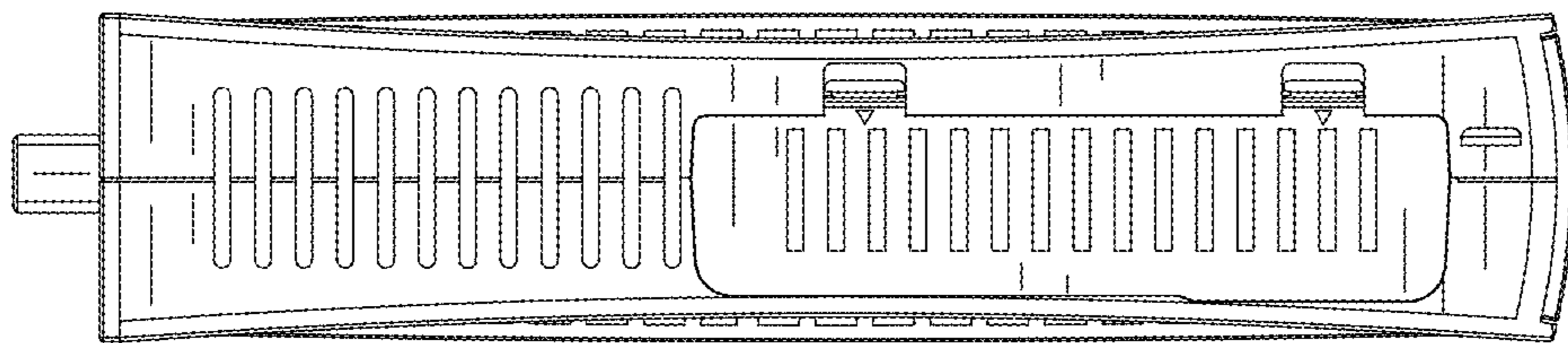


FIG. 16