



US00D702217S

(12) **United States Design Patent**
Bowman et al.

(10) **Patent No.:** **US D702,217 S**
(45) **Date of Patent:** **** Apr. 8, 2014**

- (54) **ARTICULATING ARM**
- (71) Applicant: **Innovative Office Products, Inc.**,
Easton, PA (US)
- (72) Inventors: **Stephen J. Bowman**, Allentown, PA
(US); **Bradley A. Derry**, Easton, PA
(US); **Odd N. Oddsen, Jr.**, Easton, PA
(US); **David VanDuzer**, Slatington, PA
(US)
- (73) Assignee: **Innovative Office Products, LLC**,
Easton, PA (US)
- (**) Term: **14 Years**
- (21) Appl. No.: **29/440,250**
- (22) Filed: **Dec. 20, 2012**

Related U.S. Application Data

- (63) Continuation of application No. 29/418,937, filed on
Apr. 24, 2012, now Pat. No. Des. 675,905, which is a
continuation of application No. 29/401,571, filed on
Sep. 13, 2011, now Pat. No. Des. 661,572.
- (51) **LOC (10) Cl.** **14-03**
- (52) **U.S. Cl.**
USPC **D14/239**
- (58) **Field of Classification Search**
USPC D14/451, 448, 447, 53; D8/349, 363,
D8/373, 380; 248/917-924, 122.1, 124.1,
248/125.8, 371, 393, 157, 425, 176.1,
248/186.1; 361/679.02, 679.04, 679.05,
361/679.06, 679.07, 679.21, 679.22
See application file for complete search history.

(56) **References Cited**

U.S. PATENT DOCUMENTS

- D415,768 S * 10/1999 Howell D14/451
- 6,138,970 A * 10/2000 Sohrt et al. 248/278.1

- D476,393 S * 6/2003 McGarry et al. D22/108
- D541,808 S * 5/2007 Oddsen et al. D14/452
- D544,489 S * 6/2007 Oddsen et al. D14/452
- D570,853 S * 6/2008 Derry et al. D14/452
- 7,389,965 B2 * 6/2008 Oddsen et al. 248/274.1
- D577,731 S * 9/2008 Altonji et al. D14/452
- 7,540,457 B2 * 6/2009 Oddsen et al. 248/278.1
- D612,383 S * 3/2010 Wen D14/434
- D636,833 S * 4/2011 Mayberry et al. D22/108
- D637,680 S * 5/2011 Peterson et al. D22/108
- D637,681 S * 5/2011 Bentley et al. D22/108

* cited by examiner

Primary Examiner — Randall Gholson

(74) *Attorney, Agent, or Firm* — Design IP

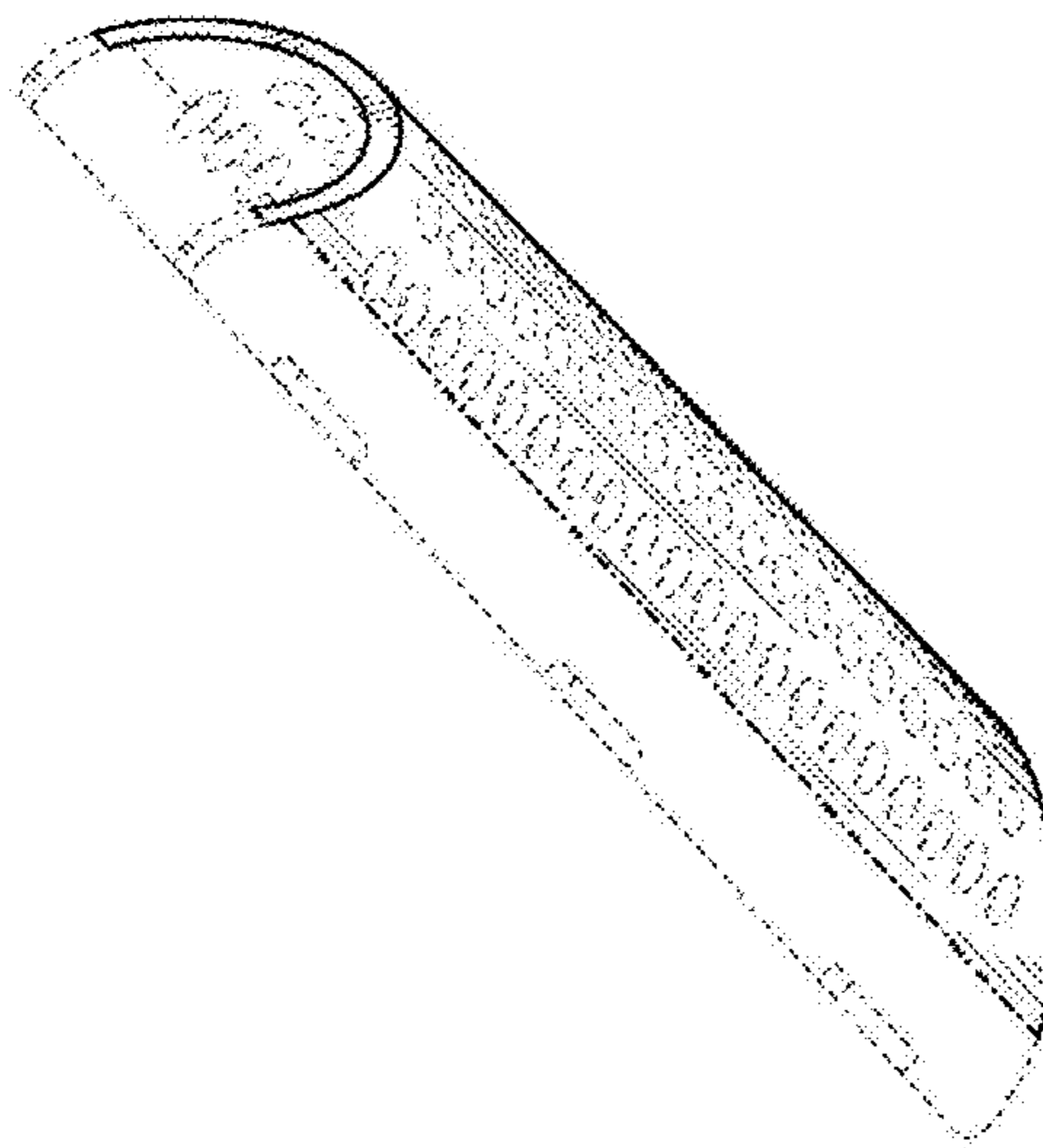
(57) **CLAIM**

The ornamental design for an articulating arm, as shown and described.

DESCRIPTION

FIG. 1 is a front left perspective view of a portion of an articulating arm showing our new design;
 FIG. 2 is a front top perspective view thereof;
 FIG. 3 is a right side view thereof;
 FIG. 4 is a left side view thereof;
 FIG. 5 is a rear top perspective view thereof;
 FIG. 6 is an enlarged partial view of area 6-6 of FIG. 2; and,
 FIG. 7 is an enlarged partial view of area 7-7 of FIG. 5.
 The dashed lines shown in FIGS. 1-7 are included for the purpose of illustrating environmental subject matter only and form no part of the claimed design. The dash-dot lines shown in FIGS. 1-7 show an unclaimed boundary between claimed and unclaimed subject matter. The bottom view of the portion of an articulating arm is omitted and forms no part of the claimed design.

1 Claim, 3 Drawing Sheets



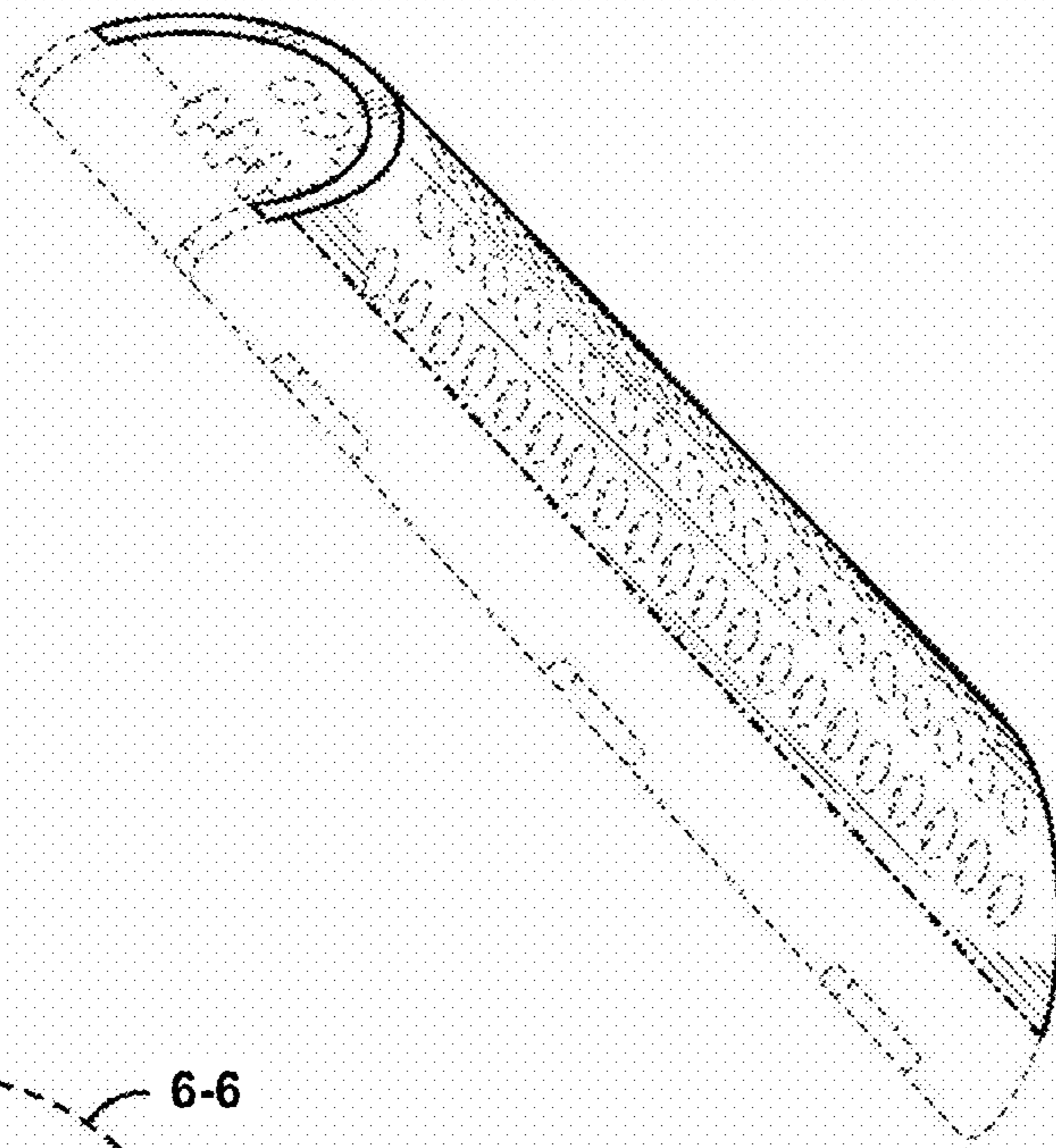


FIG. 1

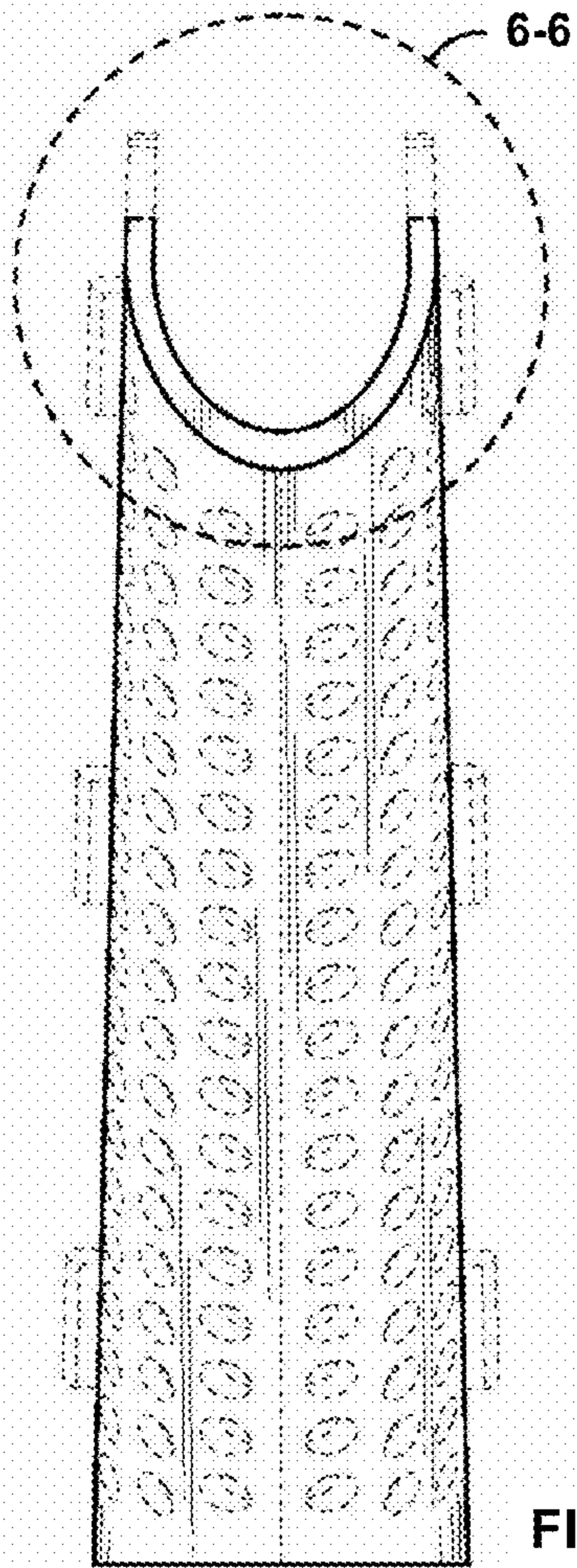


FIG. 2

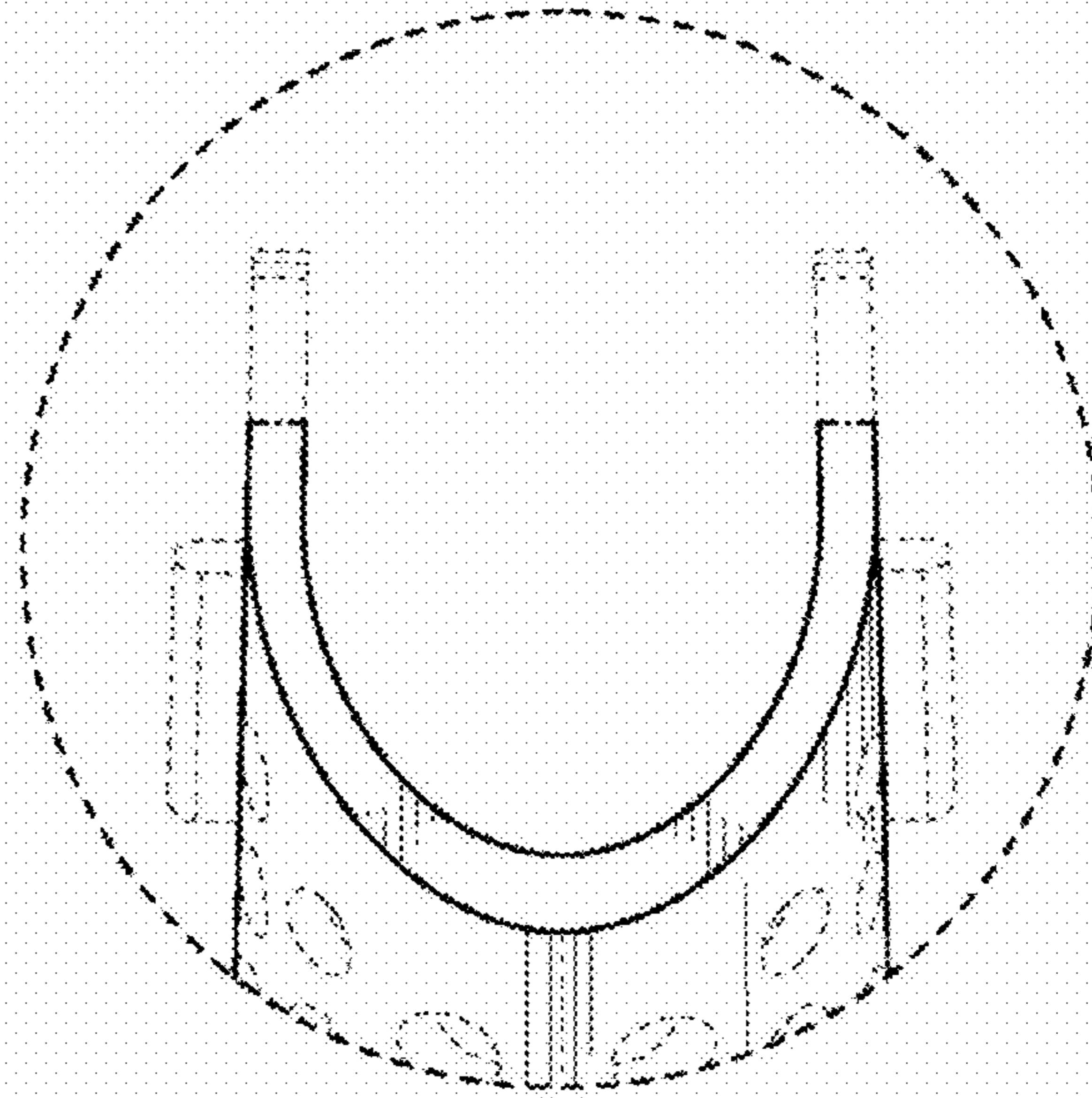


FIG. 6

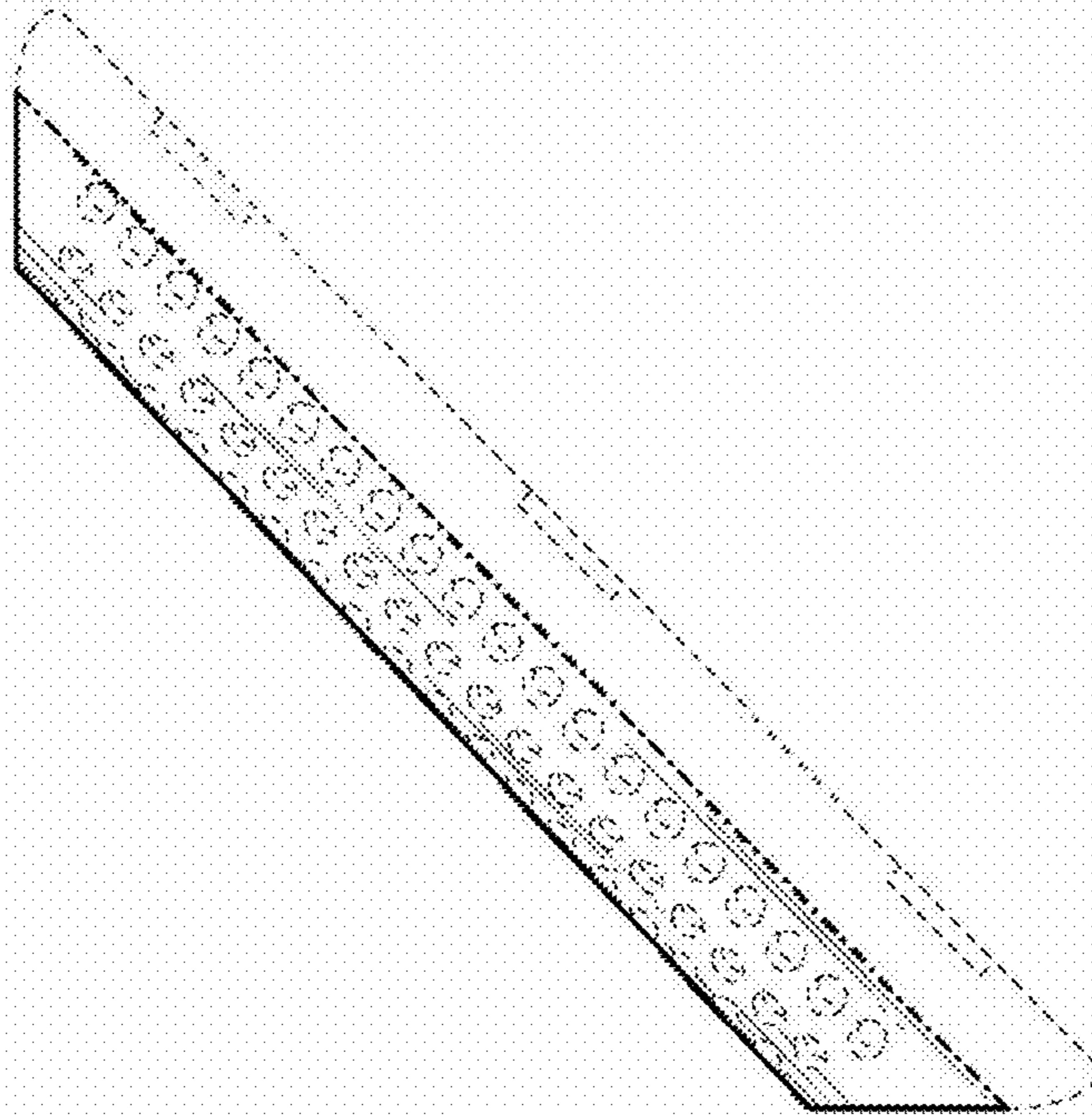


FIG. 3

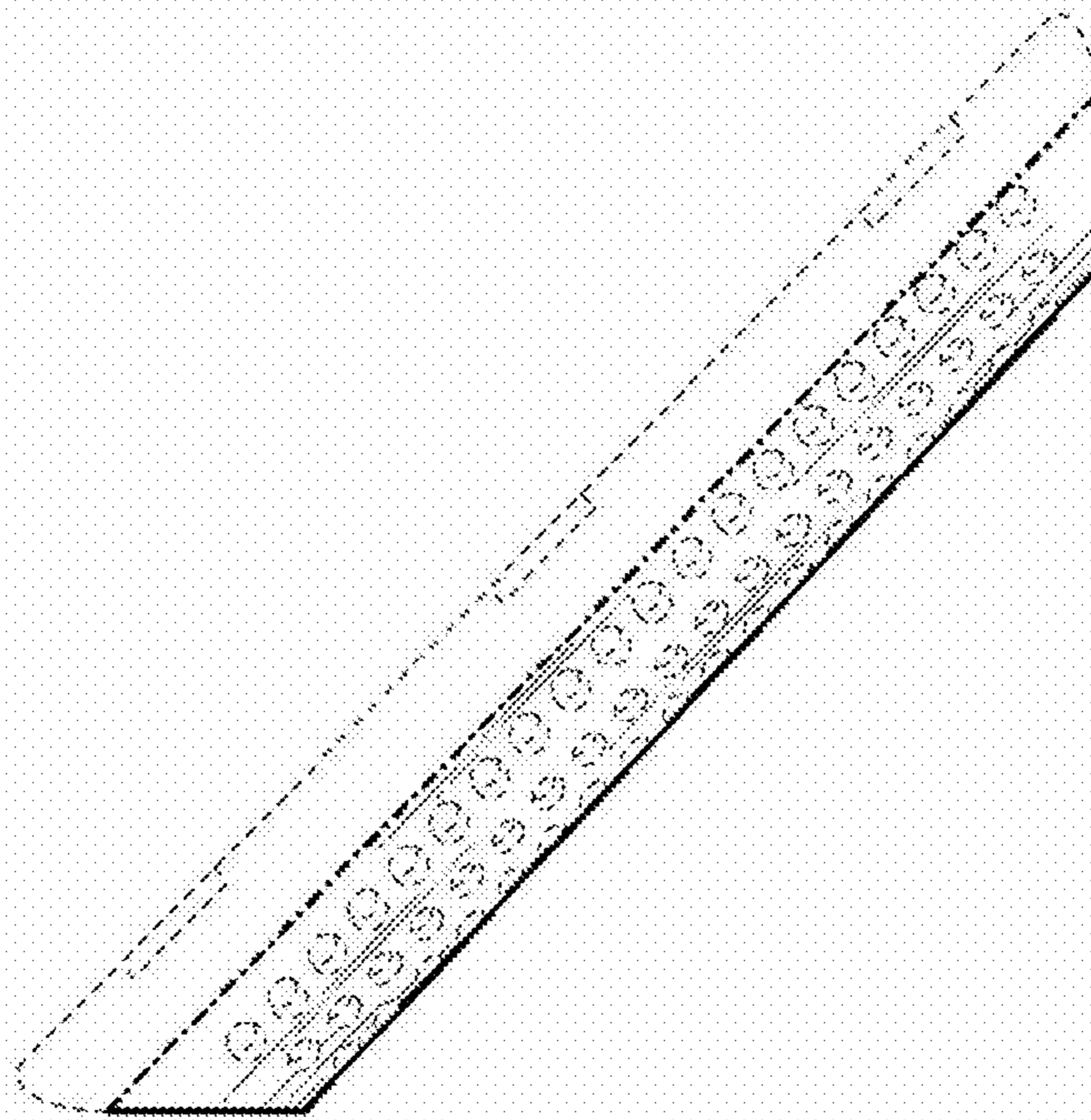


FIG. 4

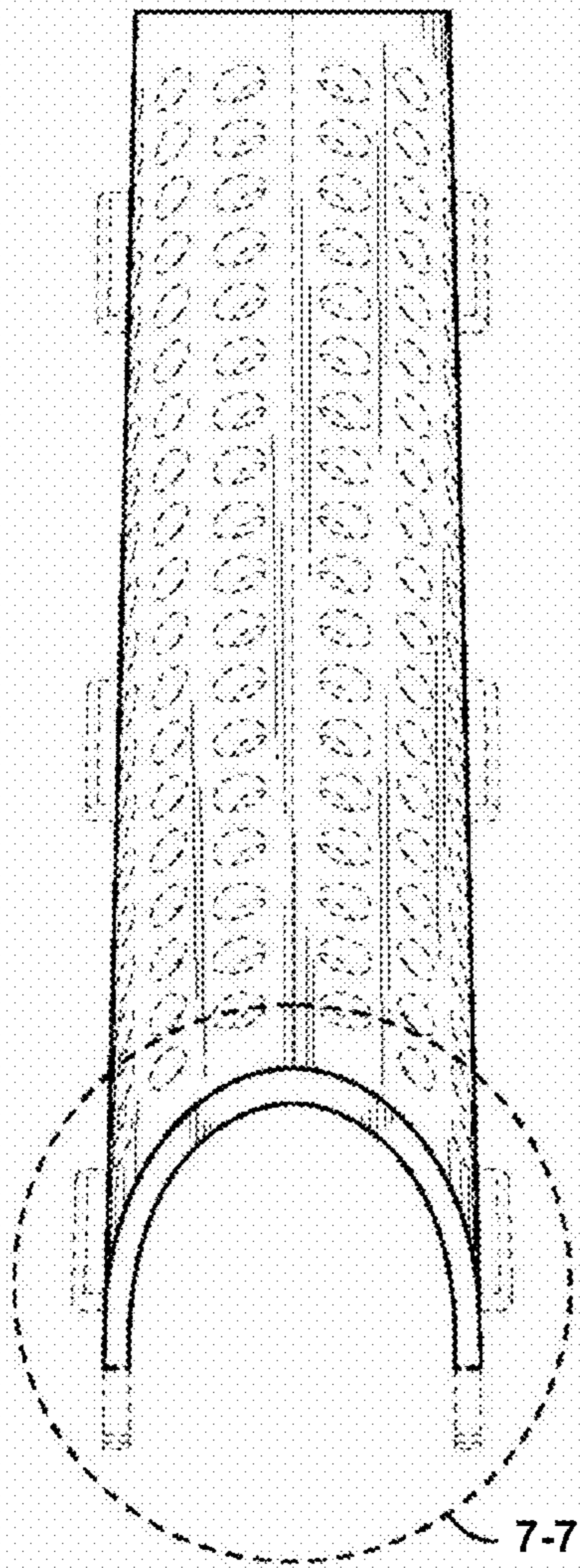


FIG. 5

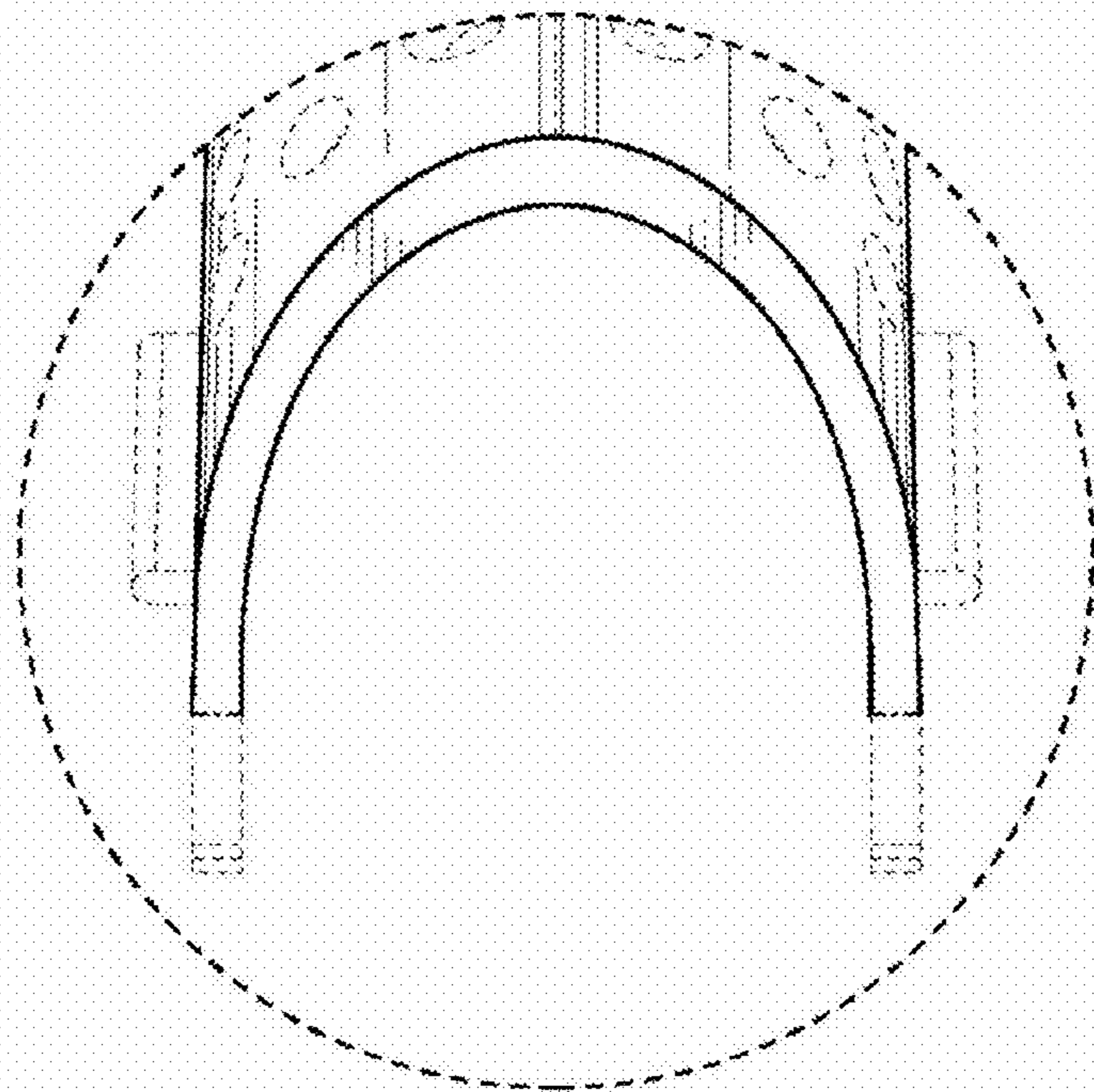


FIG. 7