



US00D702214S

(12) **United States Design Patent**
Son

(10) **Patent No.:** **US D702,214 S**

(45) **Date of Patent:** **** Apr. 8, 2014**

(54) **SPEAKER STAND**

(71) Applicant: **Samsung Electronics Co., Ltd.**,
Suwon-si (KR)

(72) Inventor: **Chae-Joo Son**, Namyangjoo-Si (KR)

(73) Assignee: **Samsung Electronics Co., Ltd.**,
Suwon-si (KR)

(**) Term: **14 Years**

(21) Appl. No.: **29/446,978**

(22) Filed: **Feb. 28, 2013**

(30) **Foreign Application Priority Data**

Aug. 29, 2012 (KR) 30-2012-0041598

(51) **LOC (10) Cl.** **14-01**

(52) **U.S. Cl.**
USPC **D14/224**

(58) **Field of Classification Search**

USPC D14/224, 224.1, 229, 238, 238.1, 211,
D14/217, 149, 216, 447, 496, 434, 251,
D14/253; D13/108, 110, 152; D28/17, 61,
D28/73; 181/129; 379/430; 381/371;
D16/219, 237, 242; 320/107, 108, 114
See application file for complete search history.

(56) **References Cited**

U.S. PATENT DOCUMENTS

1,502,385 A * 7/1924 Hauenstein 248/346.01
1,893,799 A * 1/1933 Harrington 248/188.7
D176,069 S * 11/1955 Kamp D14/229
D222,072 S * 9/1971 Levitt D14/211
D262,212 S * 12/1981 Janda D14/149
D262,213 S * 12/1981 Janda D14/253

D262,535 S * 1/1982 Fisher D14/229
D308,267 S * 5/1990 Bradd D32/31
D314,182 S * 1/1991 Moerman D13/152
D326,969 S * 6/1992 Eason et al. D6/455
D329,304 S * 9/1992 Tipp D28/38
5,402,899 A * 4/1995 Ammeson 215/391
5,656,914 A * 8/1997 Nagele et al. 320/110
D433,992 S * 11/2000 Luecke D13/108
D467,241 S * 12/2002 Solland D14/224
D483,741 S * 12/2003 Olson et al. D14/216
D487,260 S * 3/2004 Wang D14/211
D494,572 S * 8/2004 Moeller D14/224

(Continued)

Primary Examiner — Paula Greene

(74) *Attorney, Agent, or Firm* — NSIP Law

(57) **CLAIM**

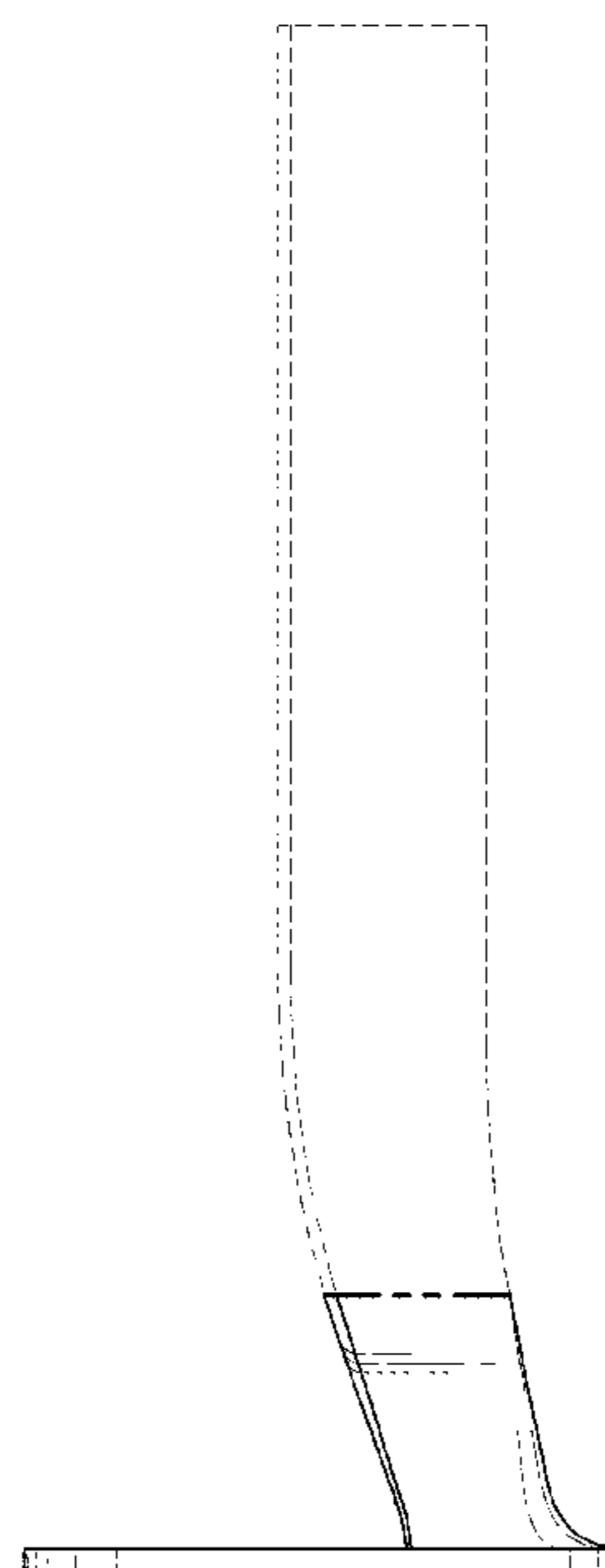
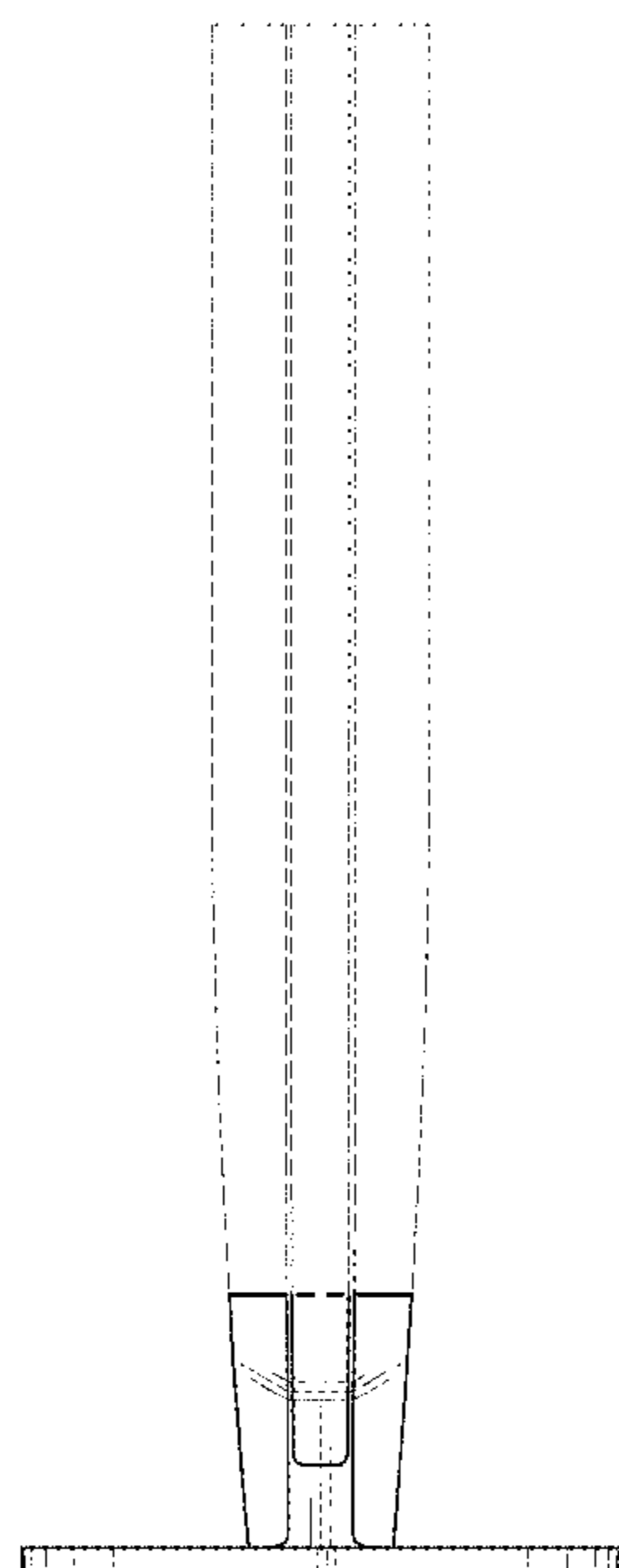
The ornamental design for a speaker stand, as shown and described.

DESCRIPTION

FIG. 1 is a front perspective view of a speaker stand, showing an example environment
FIG. 2 is a front view of the speaker stand of FIG. 1;
FIG. 3 is a rear view of the speaker stand of FIG. 1;
FIG. 4 is a left-side view of the speaker stand of FIG. 1;
FIG. 5 is a right-side view of the speaker stand of FIG. 1;
FIG. 6 is a top plan view of the speaker stand of FIG. 1;
FIG. 7 is a bottom plan view of the speaker stand of FIG. 1;
FIG. 8 is a front perspective view of the speaker stand; and,
FIG. 9 is a top plan view of the speaker stand of FIG. 8.

The dash-dot-dot-dash broken line immediately adjacent the solid-line portions of the design represents an unclaimed boundary of the design. Features shown in other broken lines in FIGS. 1, 2, 3, 4, 5, 6, and 7, form no part of the claimed design.

1 Claim, 5 Drawing Sheets



(56)

References Cited

U.S. PATENT DOCUMENTS

D501,191 S * 1/2005 Siebke D14/149
D507,790 S * 7/2005 Dayan D14/215
D508,458 S * 8/2005 Solland et al. D13/108
D525,193 S * 7/2006 Vu D13/108

D525,616 S * 7/2006 Andre et al. D14/224.1
D559,485 S * 1/2008 Fjellman D32/31
D564,501 S * 3/2008 Rath D14/224
D595,701 S * 7/2009 Chuang et al. D14/238
D597,527 S * 8/2009 Kim et al. D14/211
D597,939 S * 8/2009 Tkachuk D13/108
D645,448 S * 9/2011 Kim et al. D14/211
* cited by examiner

FIG. 1

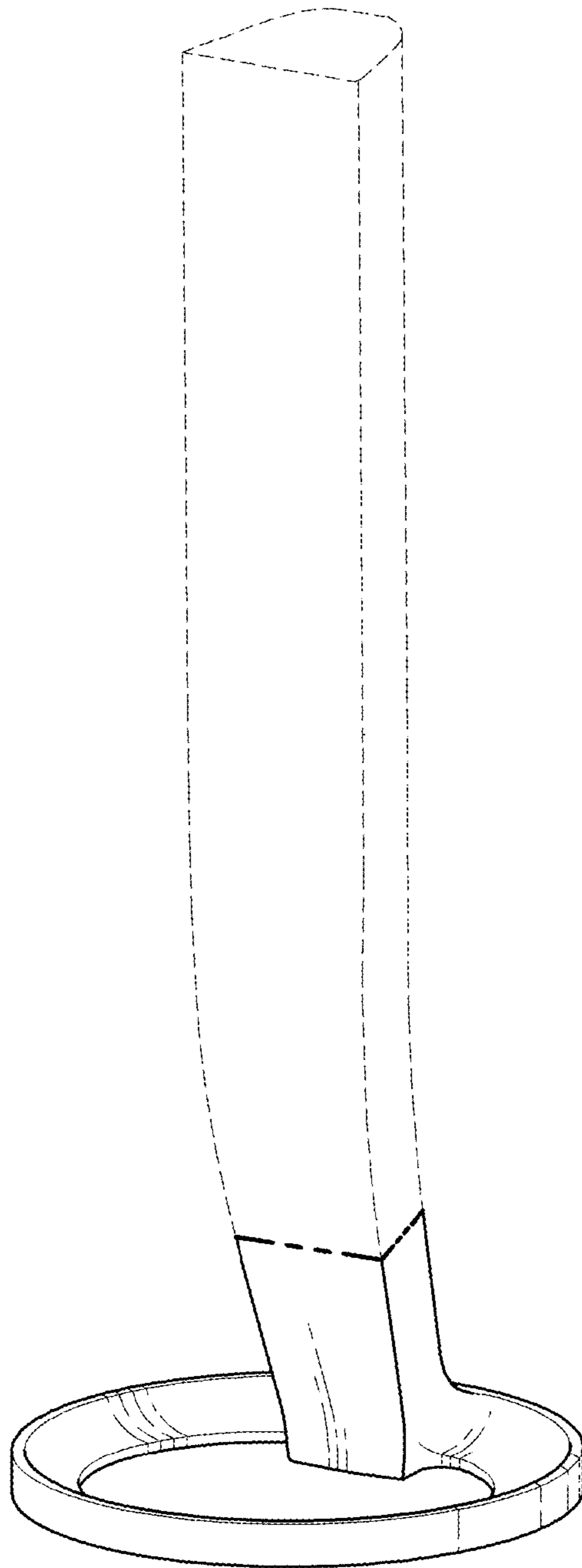


FIG. 2

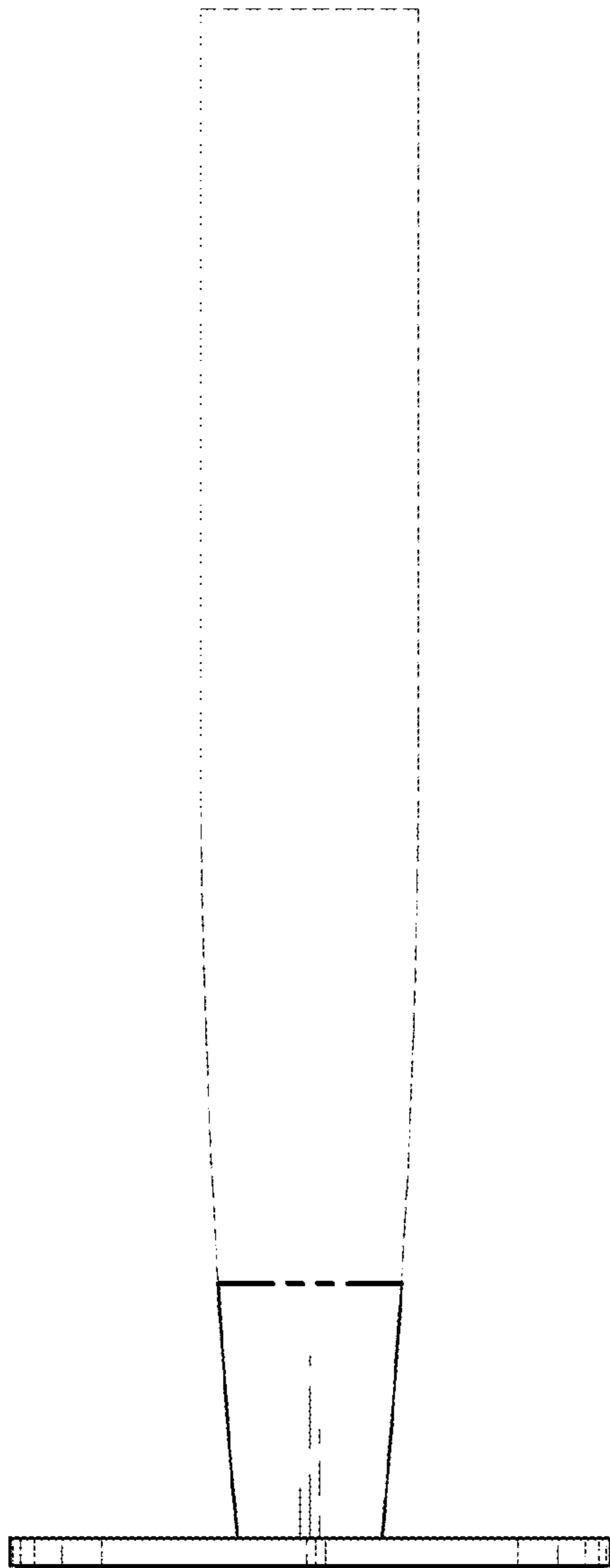


FIG. 3

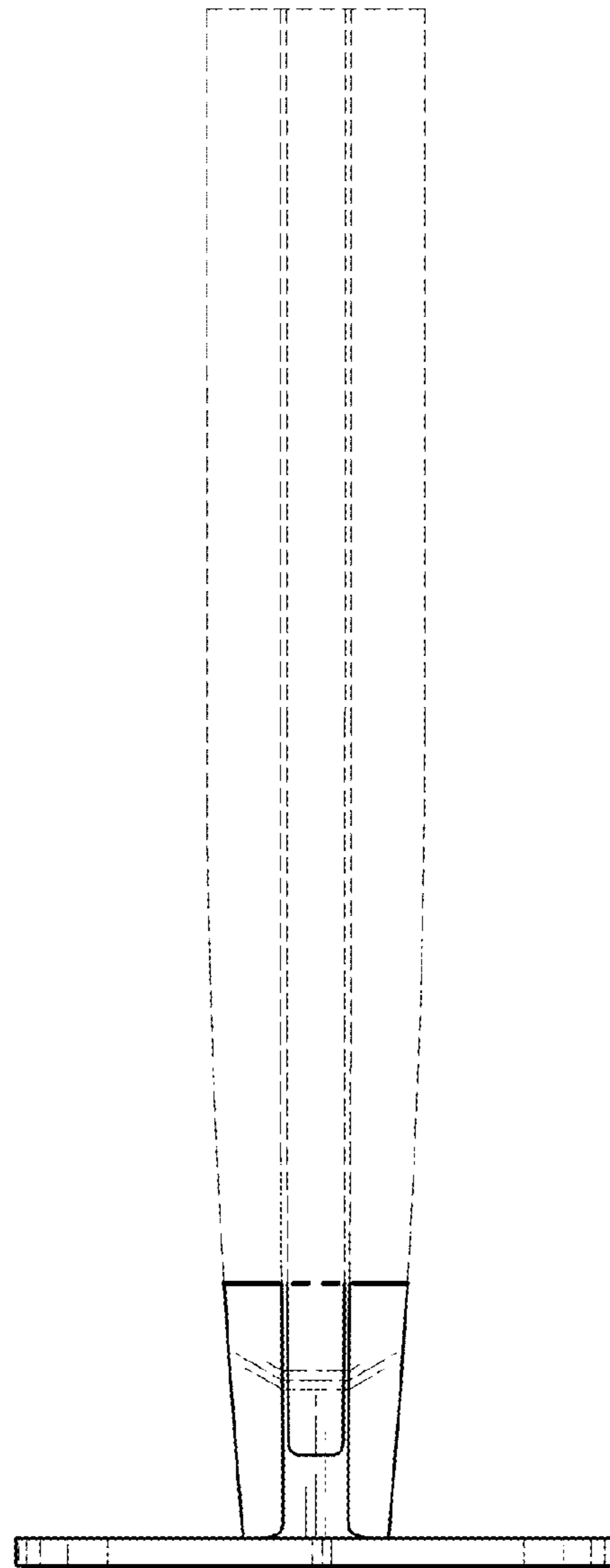


FIG. 4

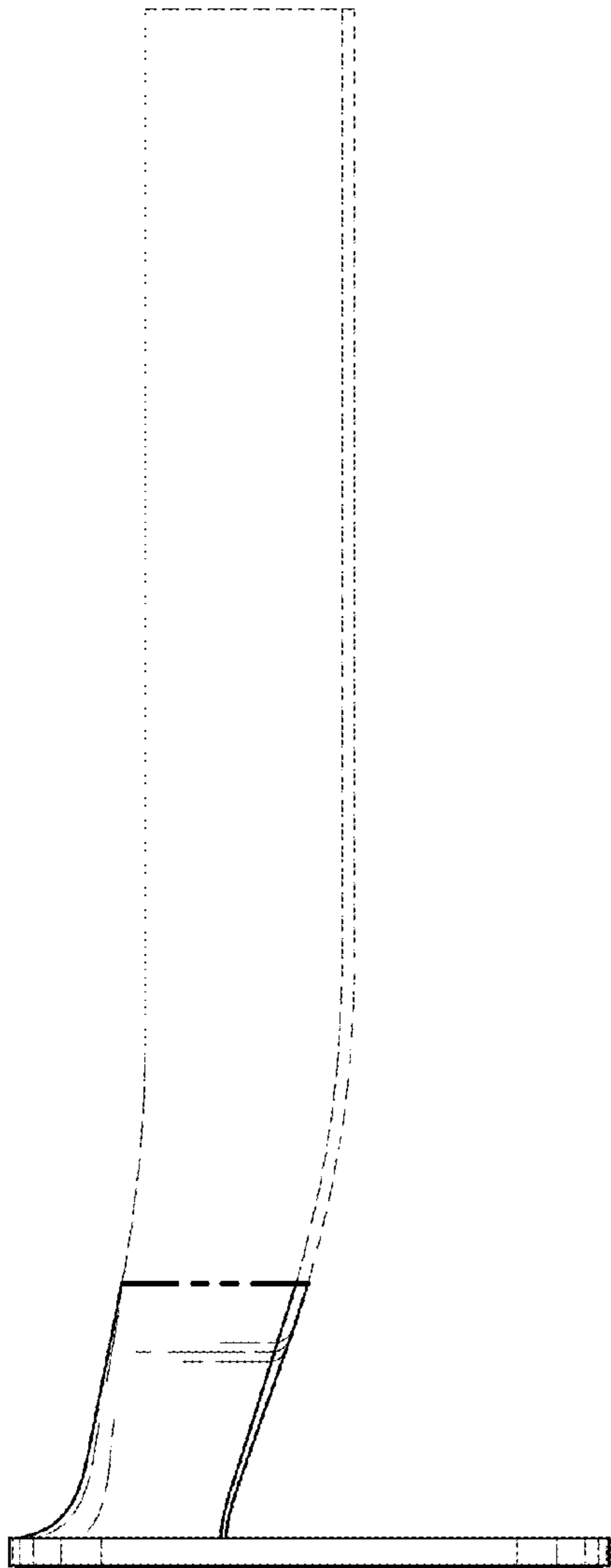


FIG. 5

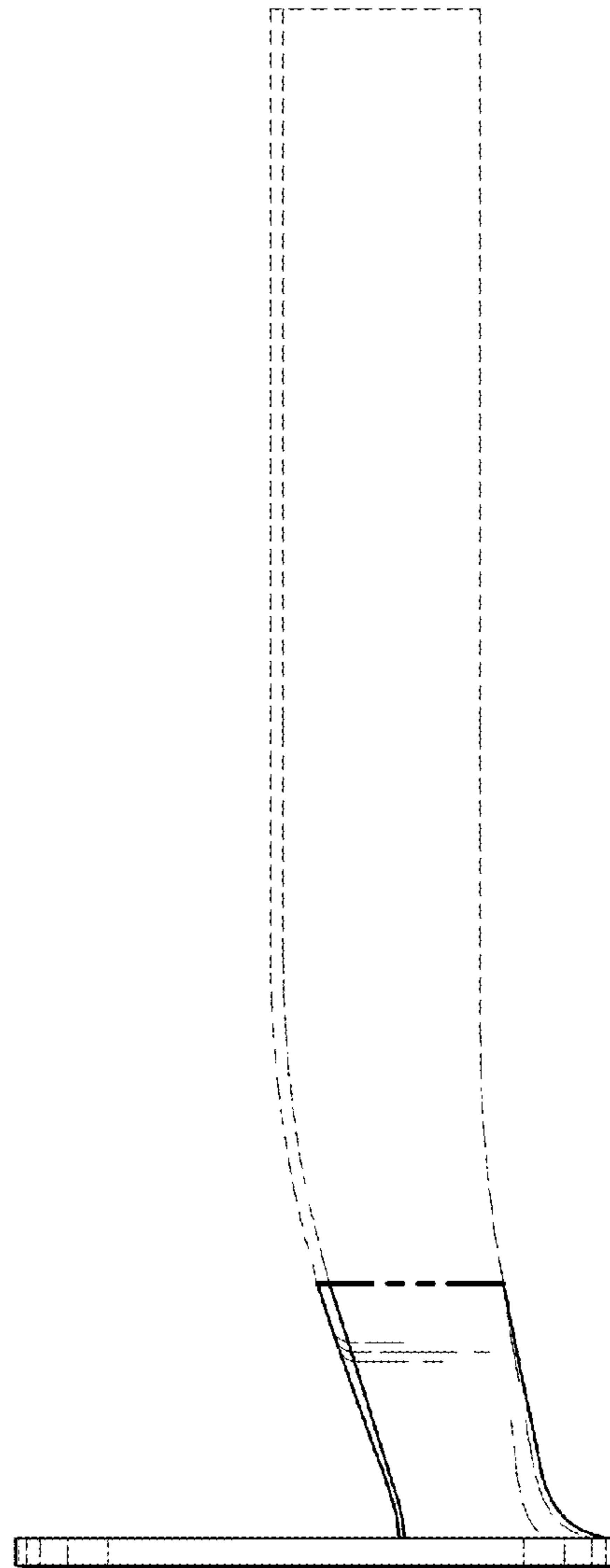


FIG. 6

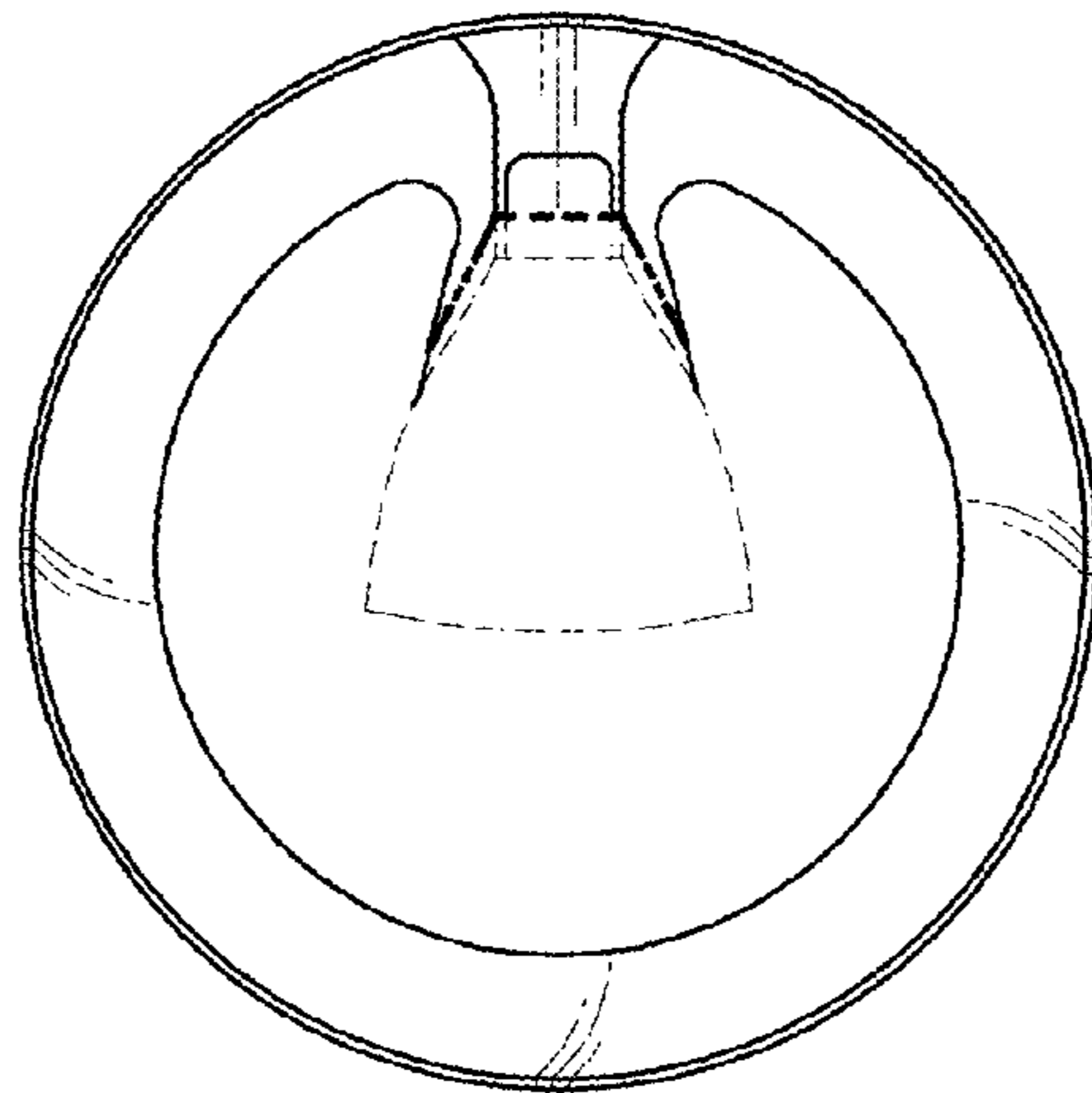


FIG. 7

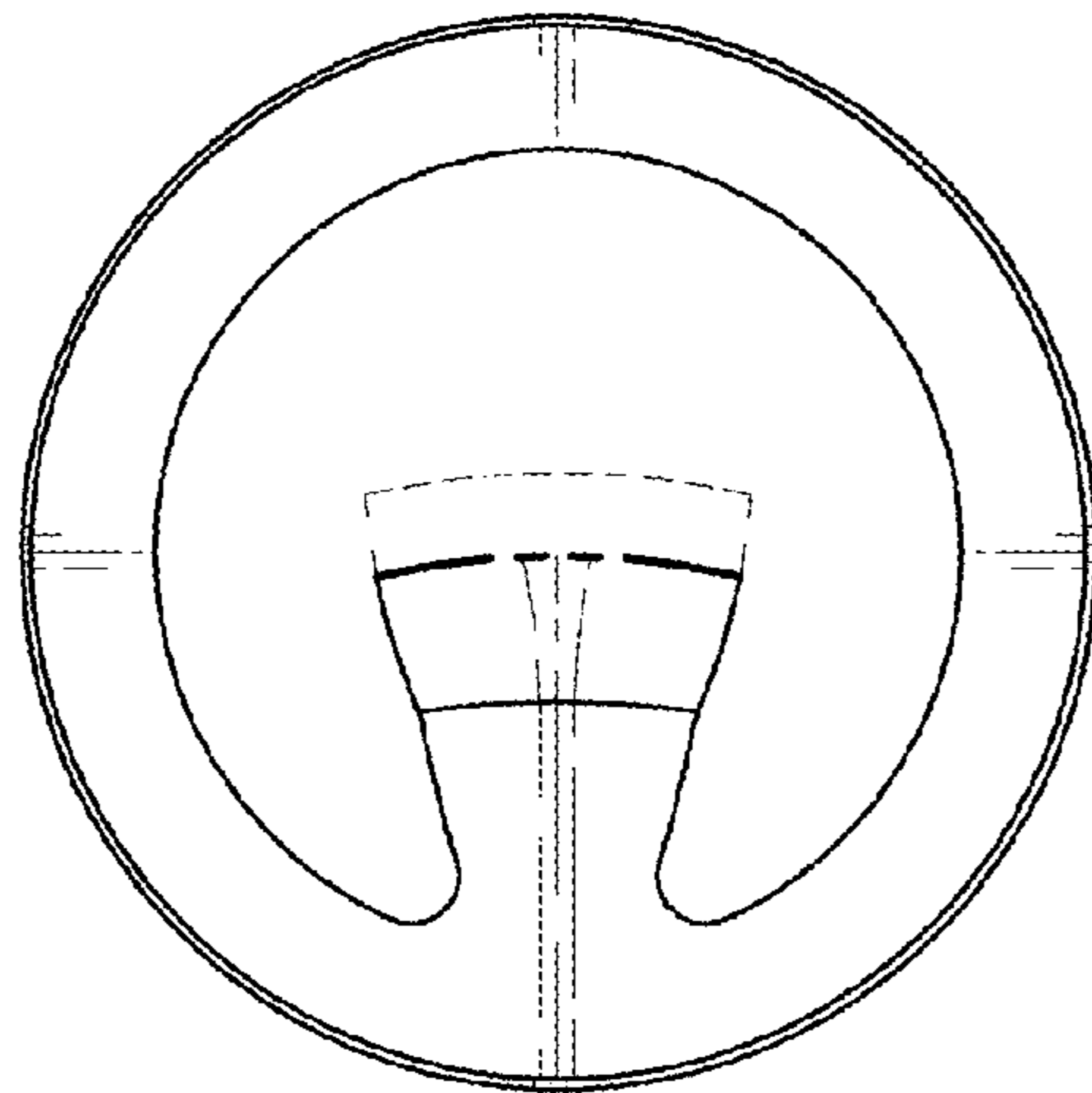


FIG. 8

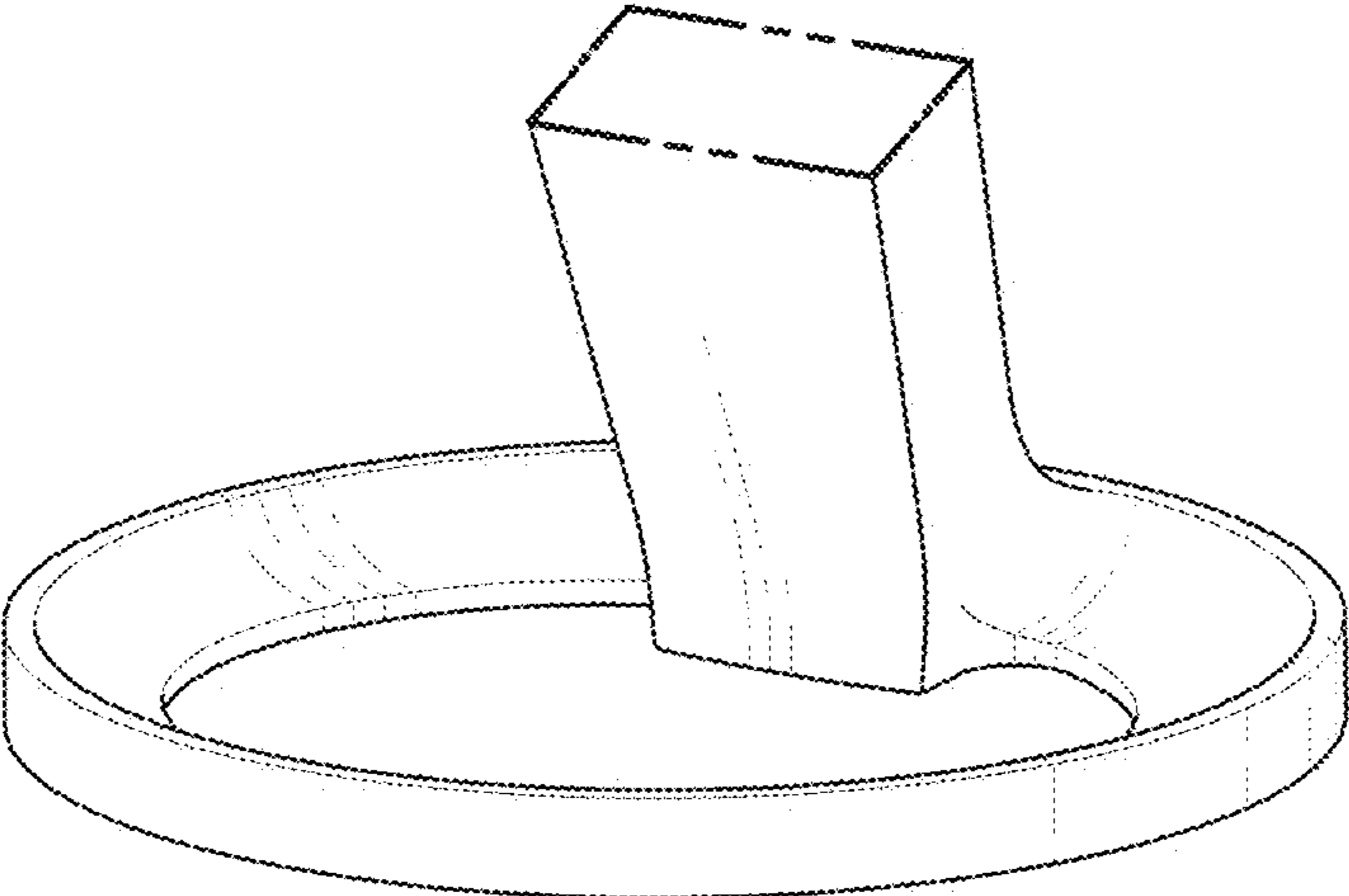


FIG. 9

