



US00D702212S

(12) **United States Design Patent**  
**Okazaki et al.**

(10) **Patent No.:** **US D702,212 S**

(45) **Date of Patent:** **\*\* Apr. 8, 2014**

(54) **SPEAKER**

(75) Inventors: **Narutoshi Okazaki**, Kobe (JP); **Shuichi Okamura**, Kobe (JP)

(73) Assignee: **TOA Corporation**, Hyogo-Ken (JP)

(\*\*) Term: **14 Years**

(21) Appl. No.: **29/432,112**

(22) Filed: **Sep. 13, 2012**

(30) **Foreign Application Priority Data**

Mar. 23, 2012 (JP) ..... 2012-006633

(51) **LOC (10) CL.** ..... **14-03**

(52) **U.S. CL.**  
USPC ..... **D14/216**

(58) **Field of Classification Search**  
USPC ..... D14/172, 194, 196, 204, 207, 209.1,  
D14/210-217, 219-222, 224; 181/143, 144,  
181/147, 148, 150, 153, 157, 198, 199;  
381/300-303, 306, 332, 333, 336, 345,  
381/361-364, 386-388

See application file for complete search history.

(56) **References Cited**

U.S. PATENT DOCUMENTS

D291,988 S *	9/1987	Ishizaki .....	D14/215
D295,741 S *	5/1988	Keitoku .....	D14/215
D362,442 S *	9/1995	Goldfarb .....	D14/216
D489,359 S *	5/2004	Hakoda .....	D14/215
D508,043 S *	8/2005	Silverstein .....	D14/219
D550,204 S *	9/2007	Kaneda .....	D14/216
D563,947 S *	3/2008	Uehara .....	D14/216
D608,764 S *	1/2010	Oishi et al. ....	D14/216

\* cited by examiner

*Primary Examiner* — Keli L Hill

(74) *Attorney, Agent, or Firm* — Kilpatrick Townsend & Stockton LLP

(57) **CLAIM**

The ornamental design for a speaker, as shown and described.

**DESCRIPTION**

FIG. 1 is a perspective view of a speaker showing our new design;

FIG. 2 is a front view thereof;

FIG. 3 is a rear view thereof;

FIG. 4 is a top plan view thereof;

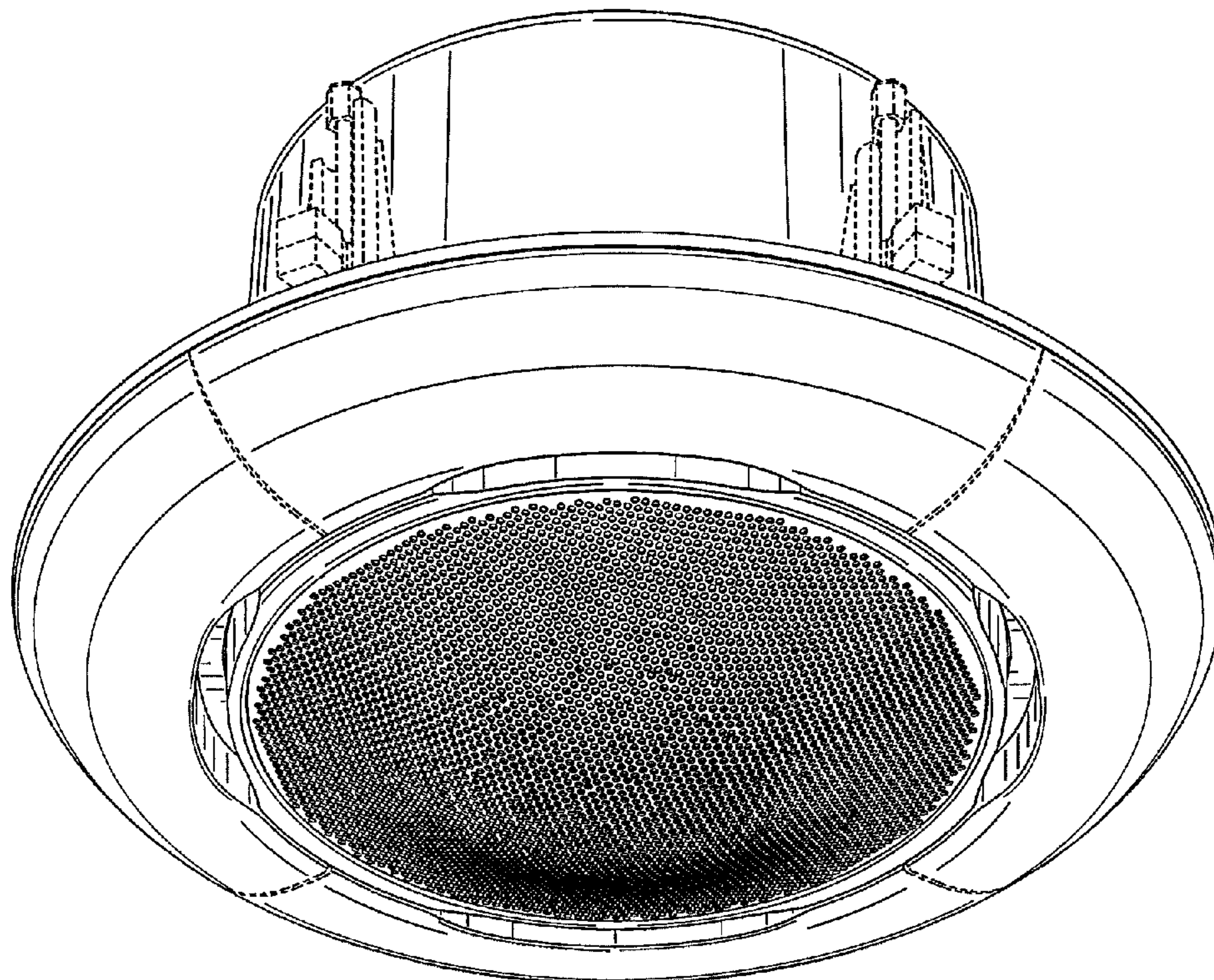
FIG. 5 is a bottom plan view thereof;

FIG. 6 is a right side view thereof; and,

FIG. 7 is a left side view thereof.

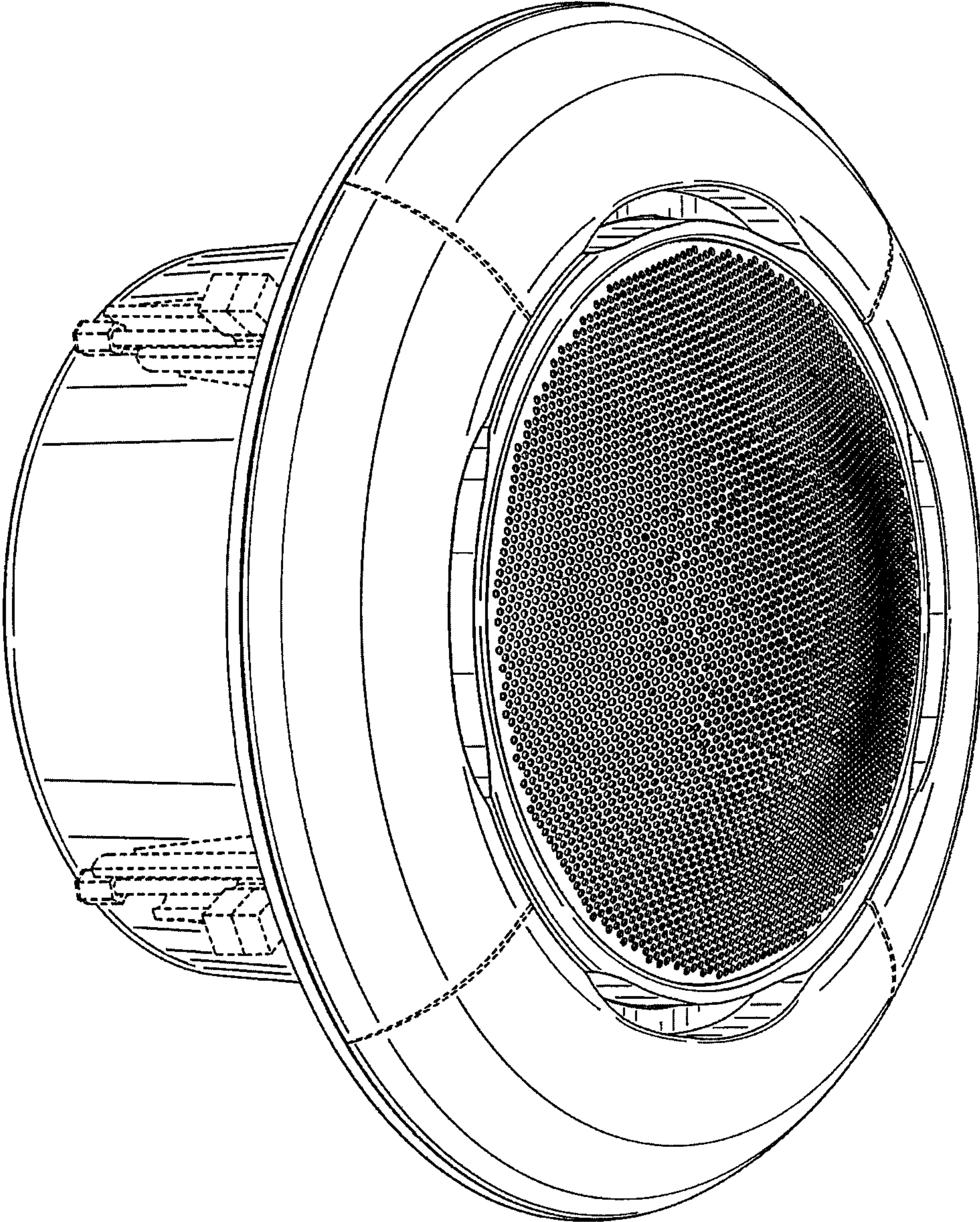
The features shown in broken lines in the drawings depict environmental subject matter only and form no part of the claimed design.

**1 Claim, 7 Drawing Sheets**

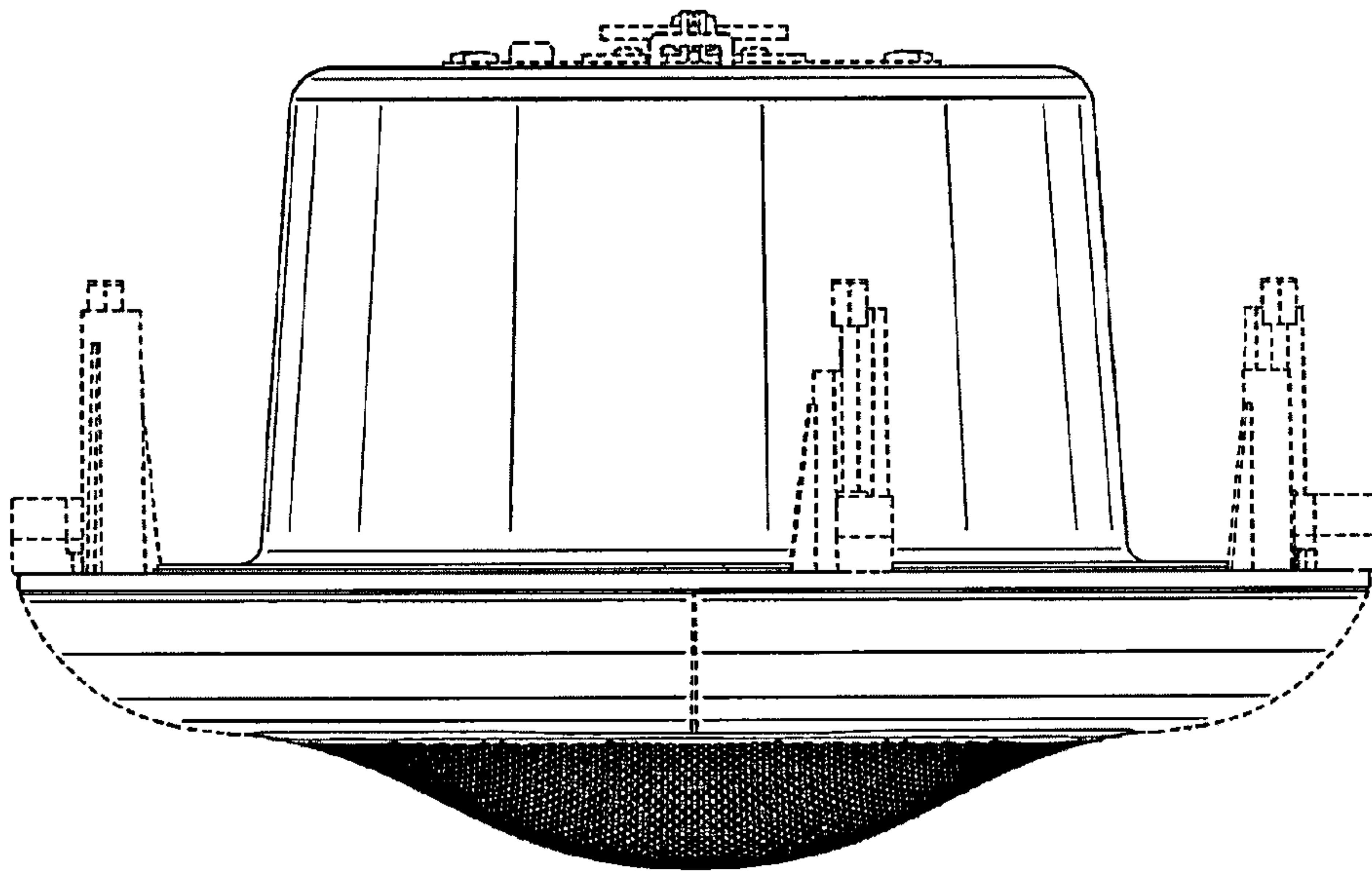




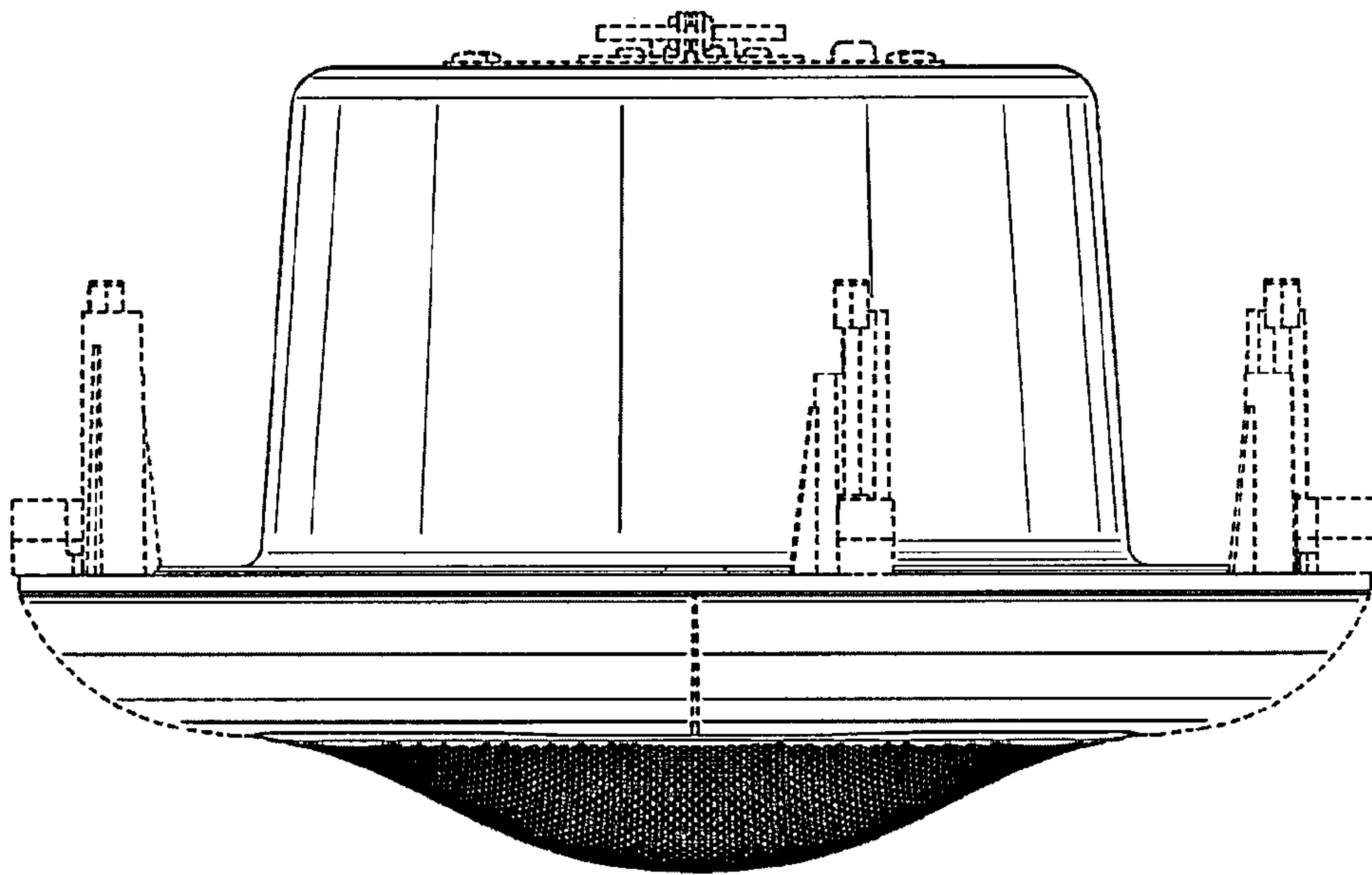
*FIG. 1*



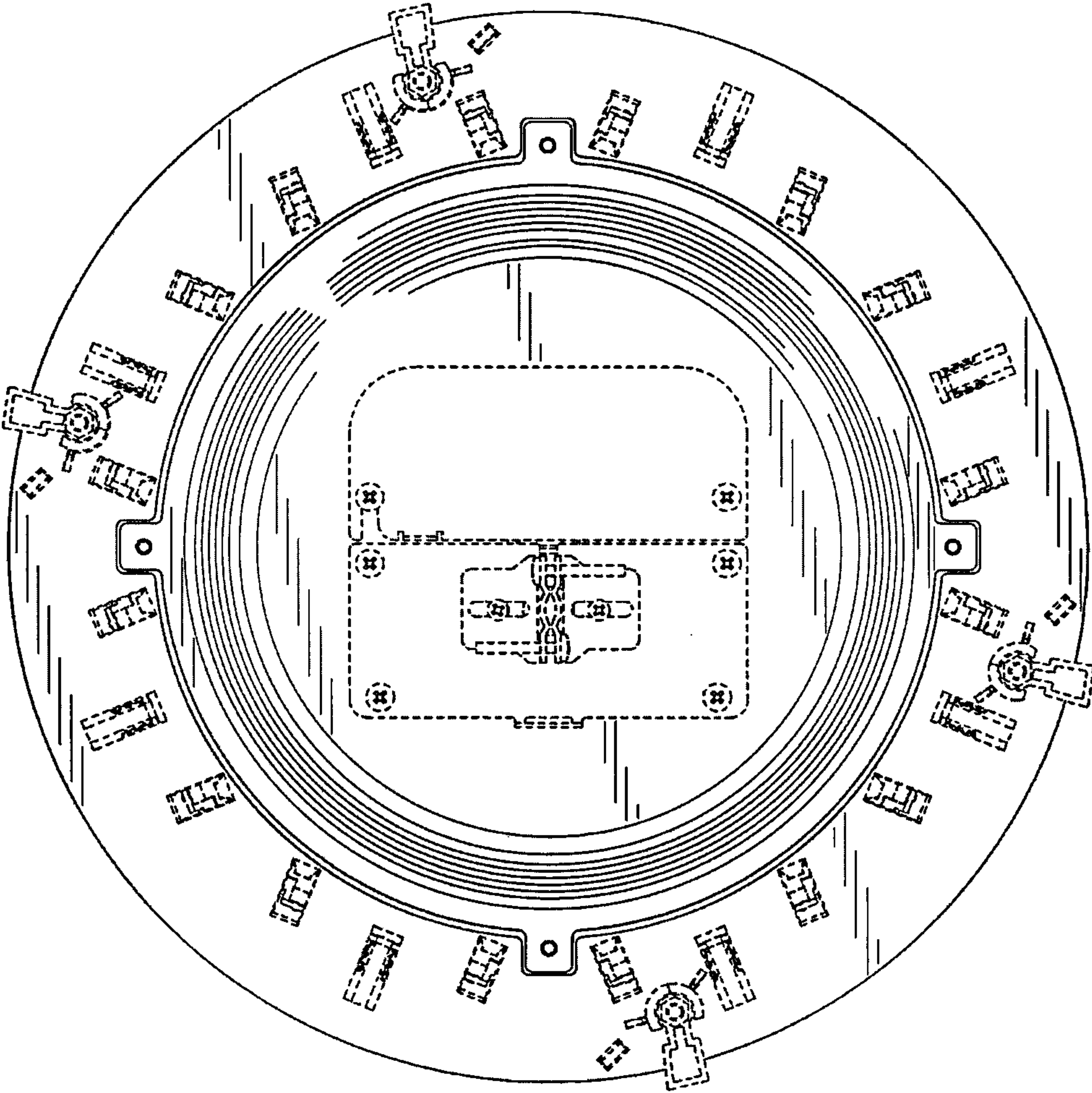
*FIG. 2*



*FIG.3*

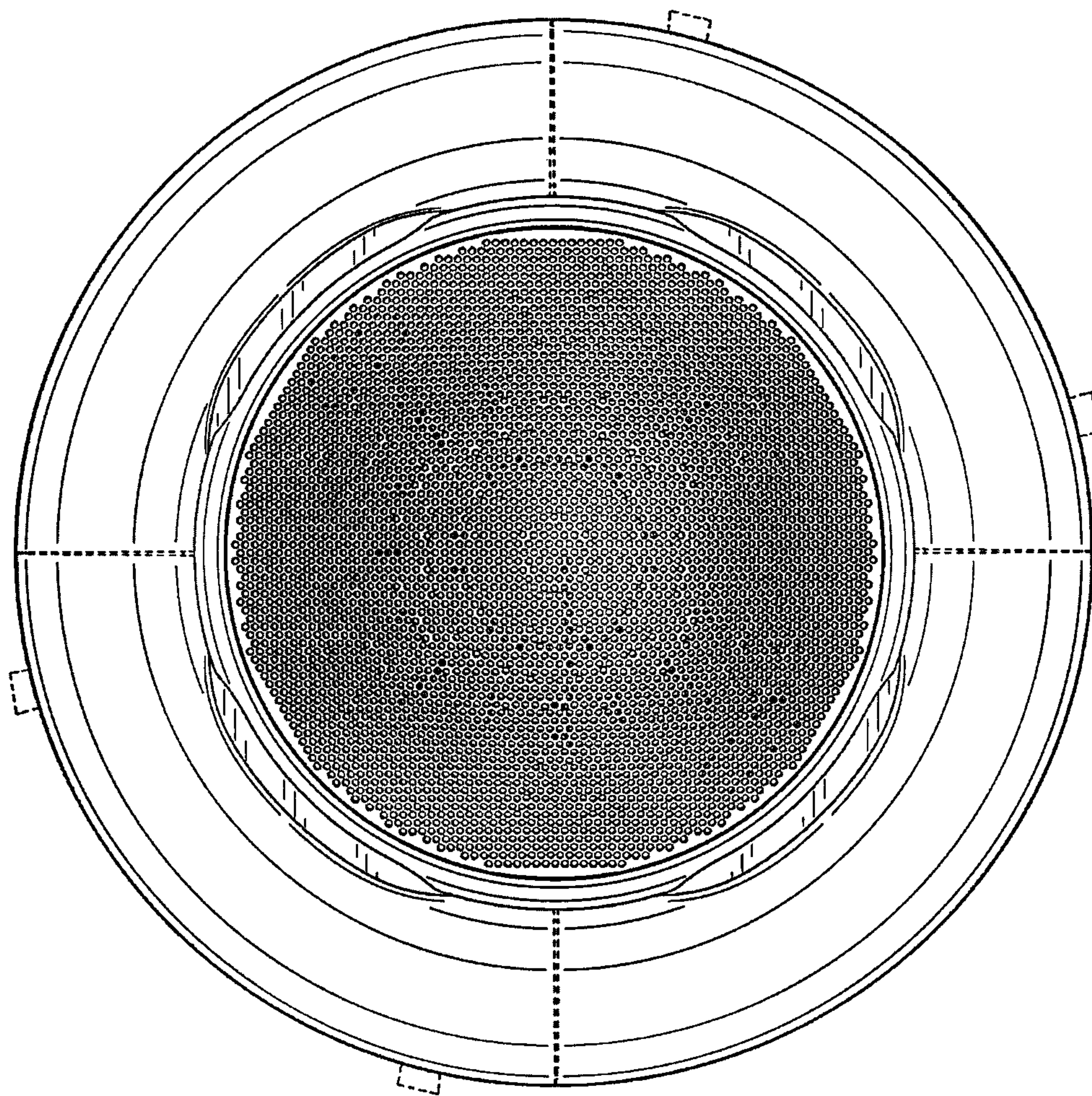


**FIG. 4**

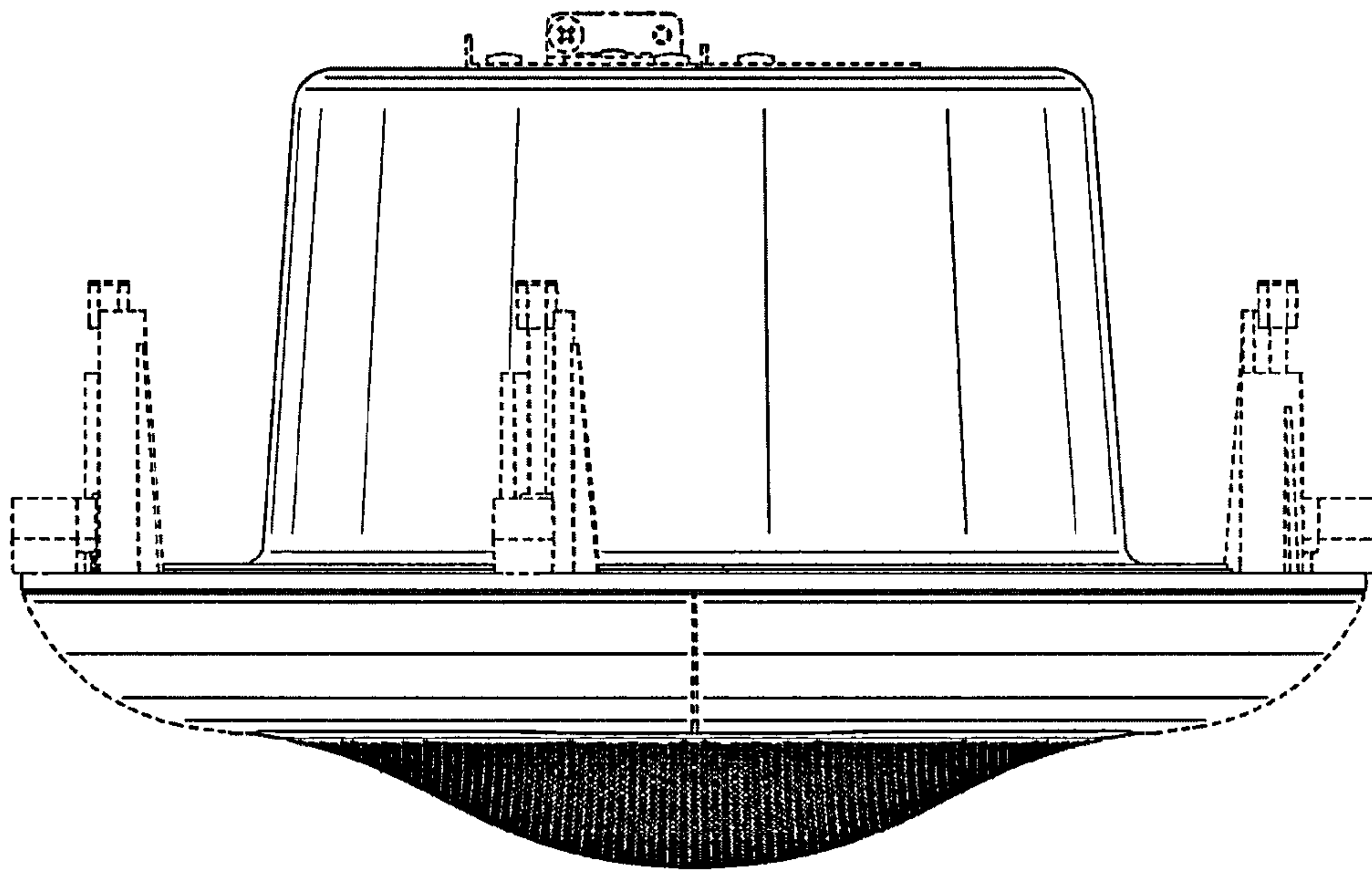




*FIG.5*



*FIG.6*



*FIG. 7*

