



US00D702210S

(12) **United States Design Patent**
Birger

(10) **Patent No.:** **US D702,210 S**

(45) **Date of Patent:** **** Apr. 8, 2014**

(54) **HEADPHONE**

(71) Applicant: **Johan Birger**, Malmö (SE)

(72) Inventor: **Johan Birger**, Malmö (SE)

(73) Assignee: **GN Netcom A/S** (DK)

(**) Term: **14 Years**

(21) Appl. No.: **29/451,057**

(22) Filed: **Mar. 27, 2013**

(30) **Foreign Application Priority Data**

Apr. 1, 2012 (EM) 002111567-0001

(51) **LOC (10) CL.** **14-01**

(52) **U.S. CL.**
CPC **H04S 1/005** (2013.01)
USPC **D14/205**

(58) **Field of Classification Search**
CPC H04S 1/005
USPC D14/205, 223; D29/112; 2/209;
181/129, 130, 135; 379/430, 431;
381/380, 381, 384; 455/90.3, 575.1
See application file for complete search history.

(56) **References Cited**

U.S. PATENT DOCUMENTS

3,810,525 A * 5/1974 Crenna 181/129
D244,300 S * 5/1977 Besasie D14/205
4,173,715 A * 11/1979 Gosman 381/382
4,385,209 A * 5/1983 Greason et al. 381/113

D351,172 S * 10/1994 Nakamura et al. D14/205
D560,654 S * 1/2008 Feng et al. D14/205
D632,668 S * 2/2011 Brunner et al. D14/205
D639,791 S * 6/2011 Corley et al. D14/248
D652,406 S * 1/2012 Lee et al. D14/205
D657,344 S * 4/2012 Brunner et al. D14/205
D657,345 S * 4/2012 Brunner et al. D14/205
D657,776 S * 4/2012 Lee et al. D14/205
D660,823 S * 5/2012 Hardi et al. D14/205
D660,824 S * 5/2012 Hardi et al. D14/205
D669,451 S * 10/2012 Tappeiner et al. D14/205
D673,518 S * 1/2013 Tan D14/205
D673,520 S * 1/2013 Tan D14/205
D674,767 S * 1/2013 Brunner et al. D14/205
D683,329 S * 5/2013 Hagelin D14/205
D689,463 S * 9/2013 Hardi et al. D14/205

* cited by examiner

Primary Examiner — Paula Greene

(74) *Attorney, Agent, or Firm* — Altera Law Group, LLC

(57) **CLAIM**

The ornamental design for a headphone, as shown and described.

DESCRIPTION

FIG. 1 is a perspective view of the headphone.

FIG. 2 is a front view thereof.

FIG. 3 is a back view thereof.

FIG. 4 is a side view thereof.

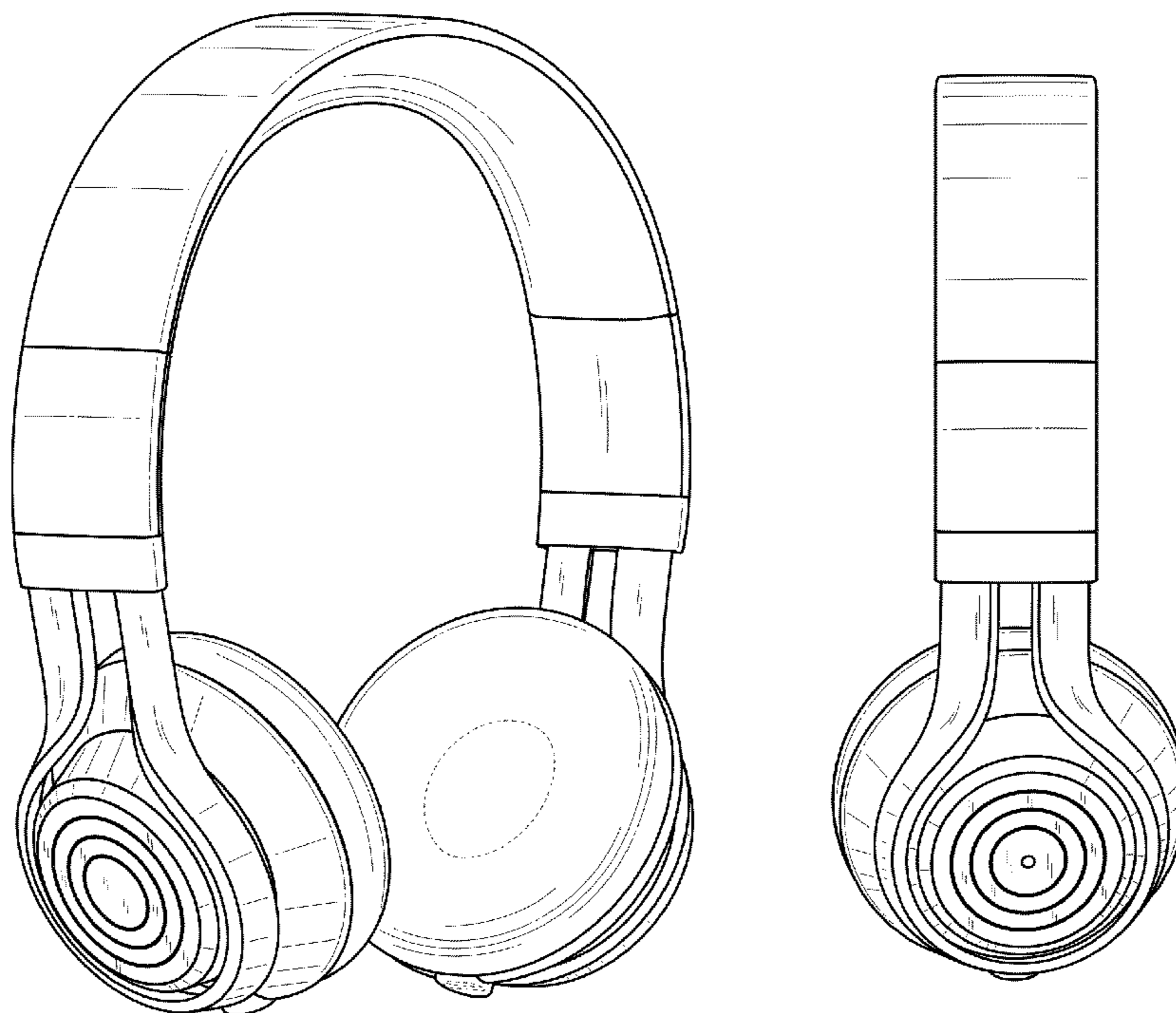
FIG. 5 is the other side view thereof.

FIG. 6 is a top view thereof; and,

FIG. 7 is a bottom view thereof.

The features shown in broken lines depict environmental subject matter only and form no part of the claimed design.

1 Claim, 5 Drawing Sheets



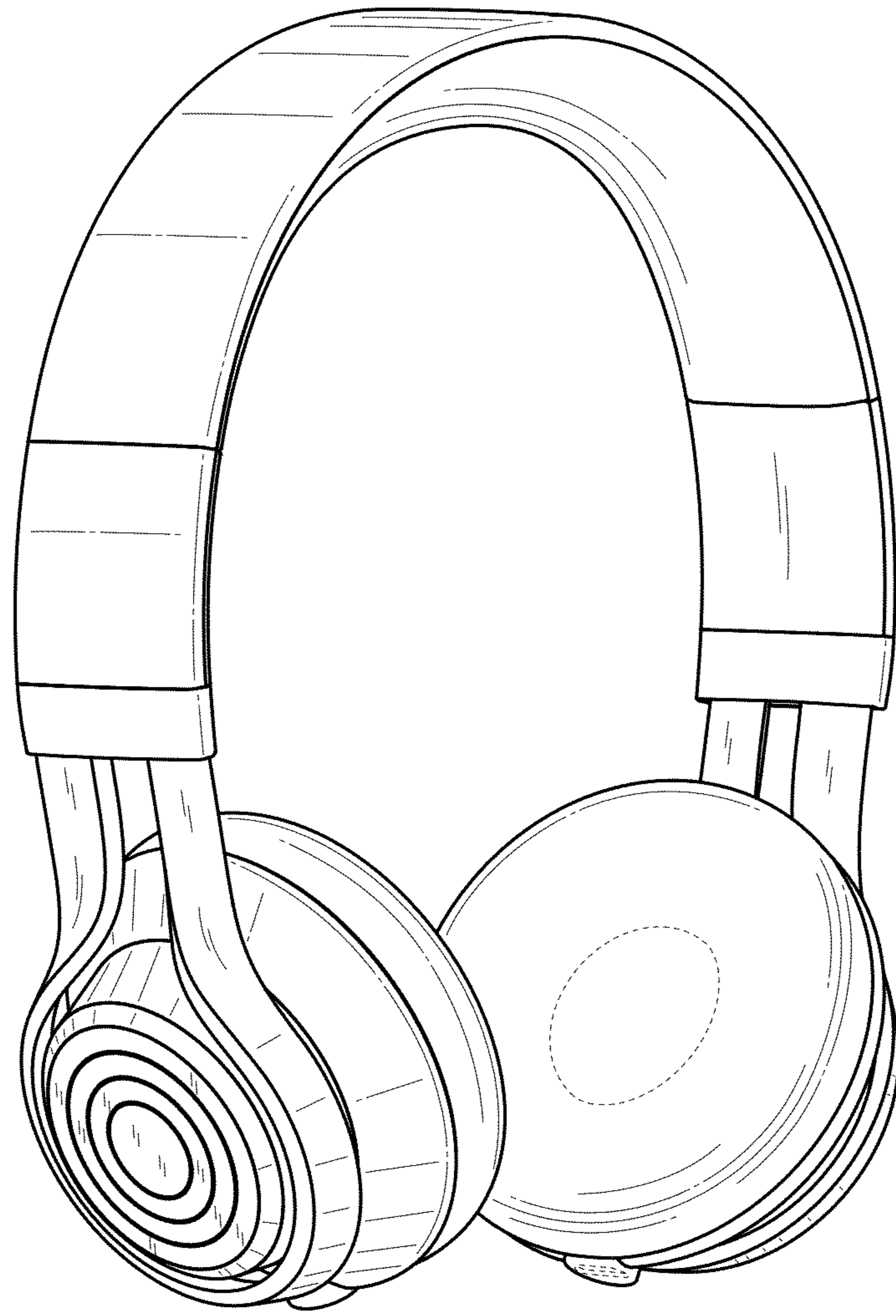


Fig. 1



Fig. 2

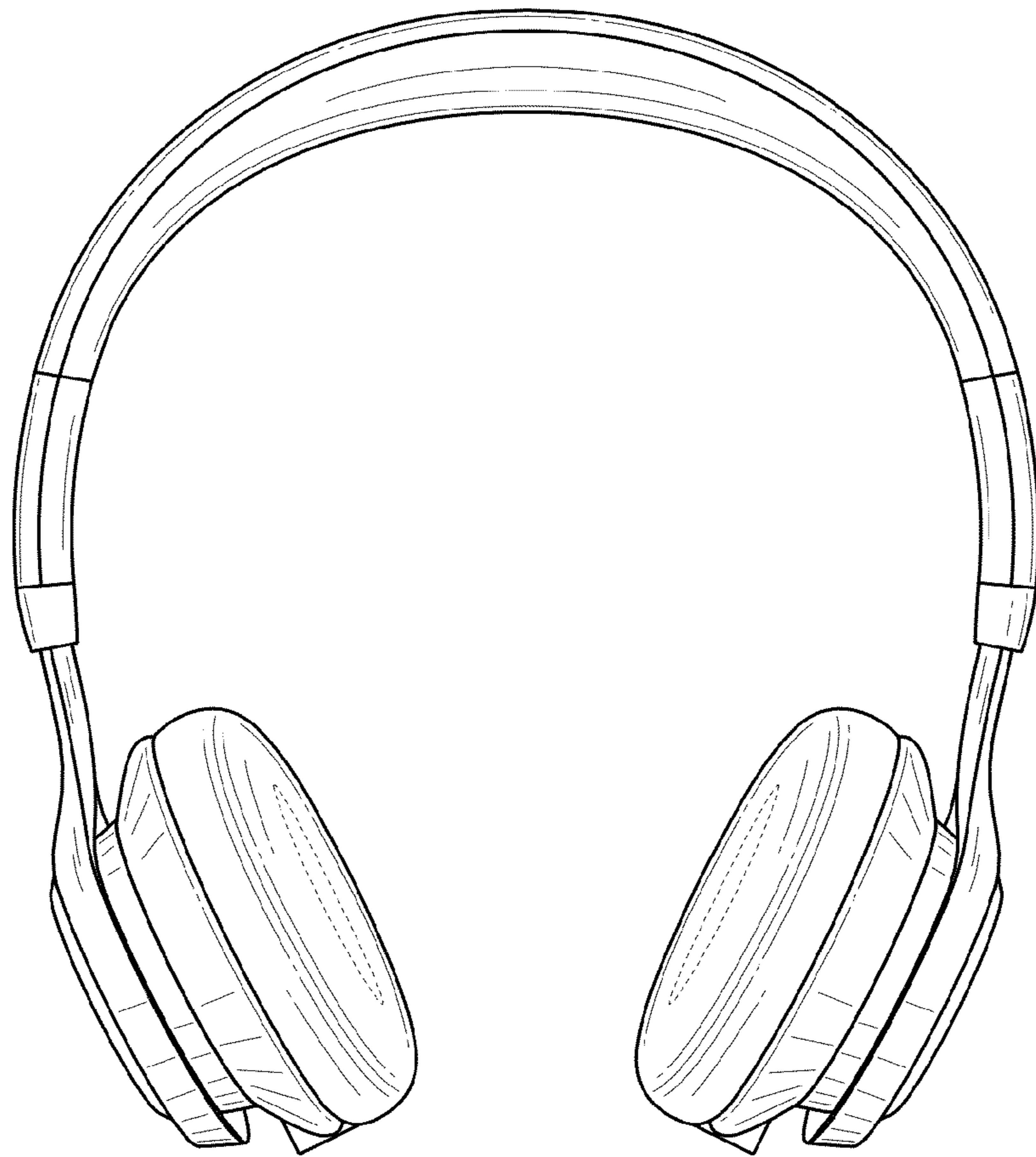


Fig. 3

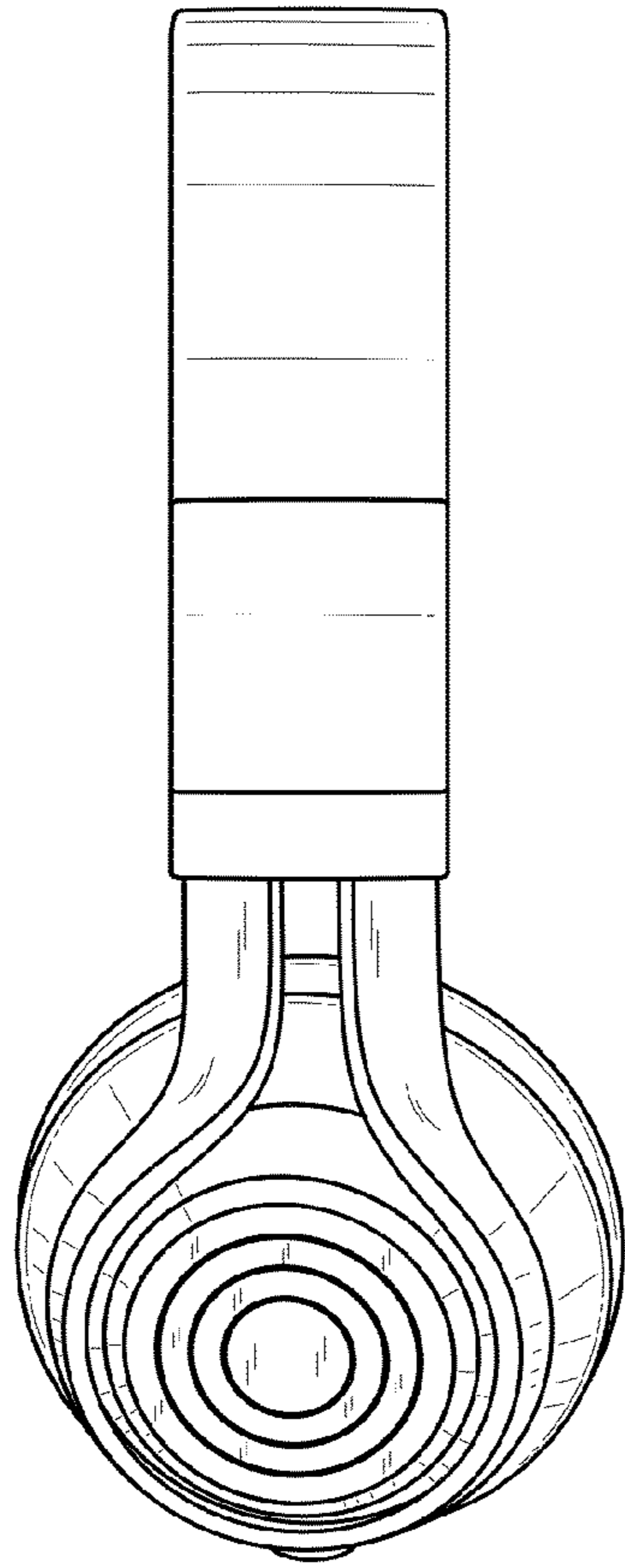


Fig. 4

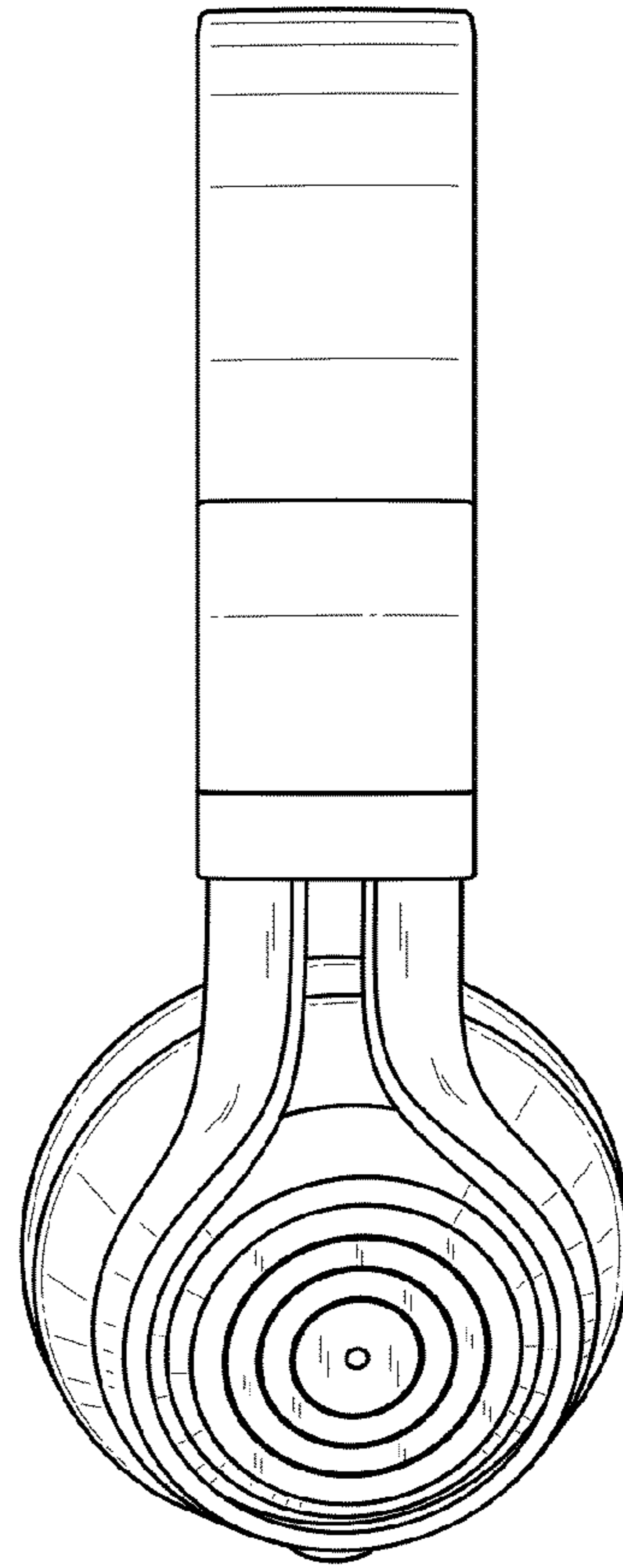


Fig. 5

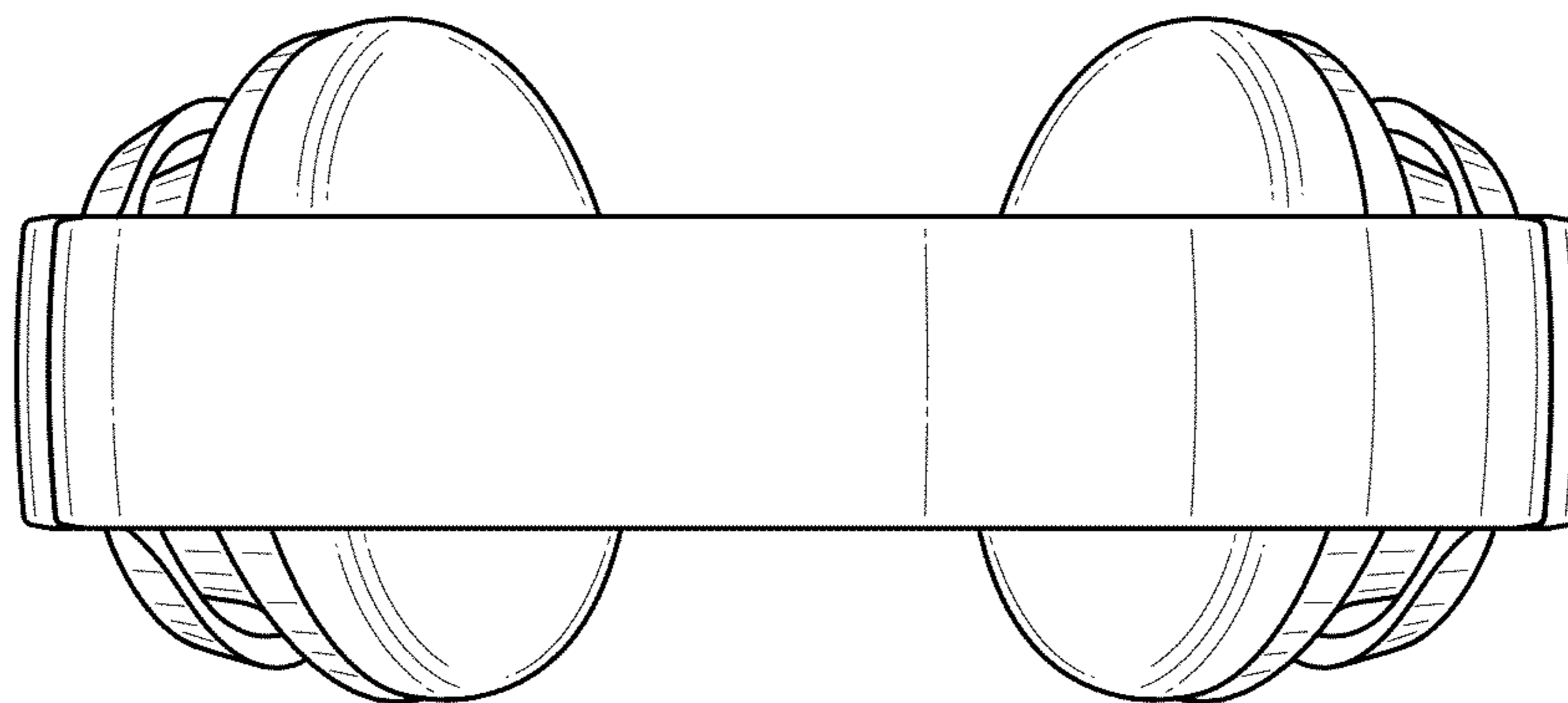


Fig. 6

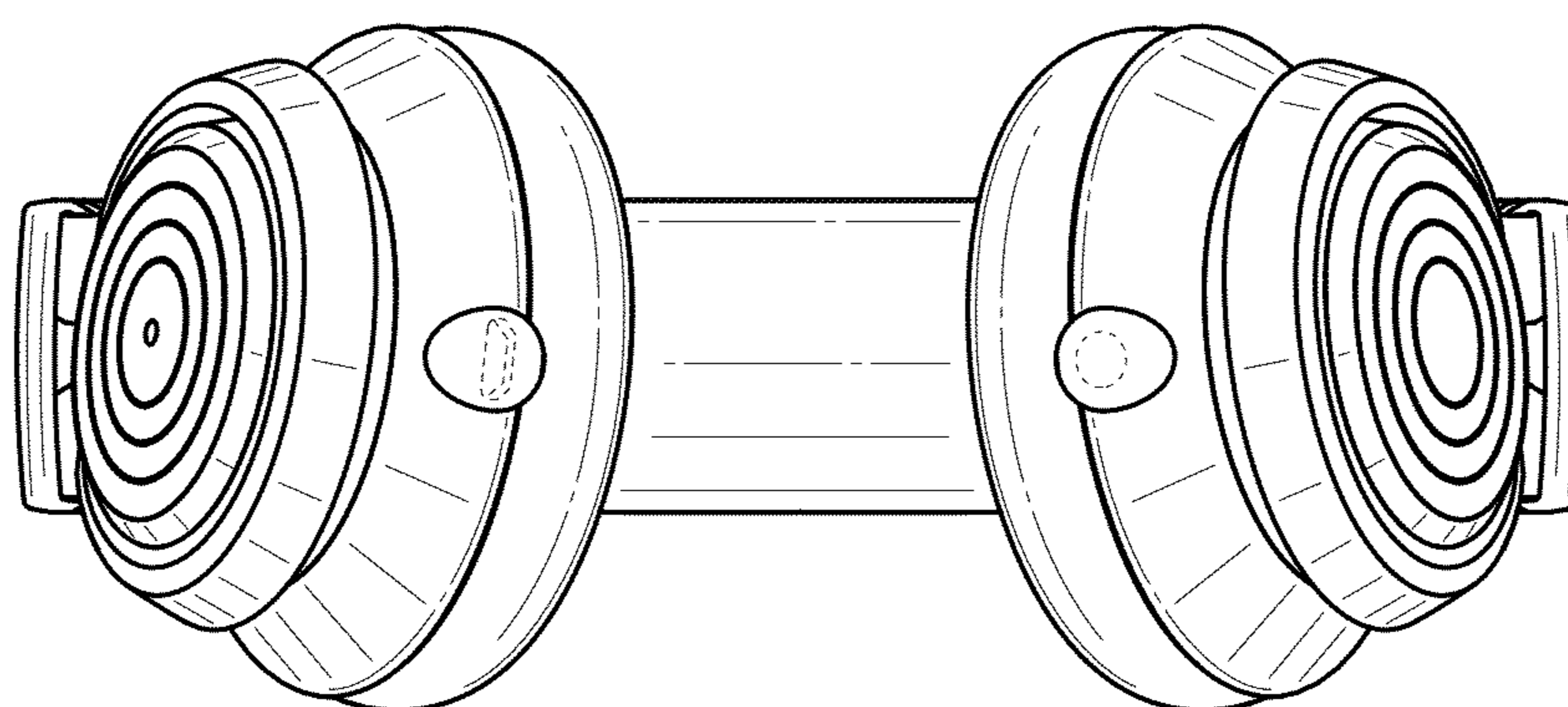


Fig. 7