



US00D702200S

(12) **United States Design Patent**
Teppema

(10) **Patent No.:** **US D702,200 S**
(45) **Date of Patent:** **** Apr. 8, 2014**

(54) **SKI GLASSES**

(71) Applicant: **Gaspar Jesse Teppema**, Utrecht (NL)

(72) Inventor: **Gaspar Jesse Teppema**, Utrecht (NL)

(**) Term: **14 Years**

(21) Appl. No.: **29/468,967**

(22) Filed: **Oct. 4, 2013**

(30) **Foreign Application Priority Data**

Jul. 19, 2013 (WO) DM/081 386

(51) **LOC (10) Cl.** **14-03**

(52) **U.S. Cl.**
USPC **D14/126**

(58) **Field of Classification Search**
USPC D14/125-134, 239, 371, 136, 374-377,
D14/440, 450, 448, 336, 342, 159; 312/7.2;
348/836, 838, 180, 184, 325, 739;
341/12; 248/917-924, 465; 345/104,
345/133, 156, 168, 87, 173; 720/605, 669,
720/600, 655; 369/99, 197; D21/329, 515,
D21/577, 622, 333, 433, 448, 452, 450, 331,
D21/505; D6/477, 479, 300; 273/148 B;
446/484, 175, 356; D10/15, 26

See application file for complete search history.

(56) **References Cited**

U.S. PATENT DOCUMENTS

4,068,918	A	*	1/1978	Holcombe, Jr.	351/44
D367,491	S	*	2/1996	Warner	D16/311
D434,061	S	*	11/2000	Chiang	D16/311
D466,543	S	*	12/2002	Beames	D16/311
D536,361	S	*	2/2007	Sheldon et al.	D16/311
D634,771	S	*	3/2011	Fuchs	D16/311

* cited by examiner

Primary Examiner — Raphael Barkai

(74) *Attorney, Agent, or Firm* — Donald J. Ranft; Collen IP

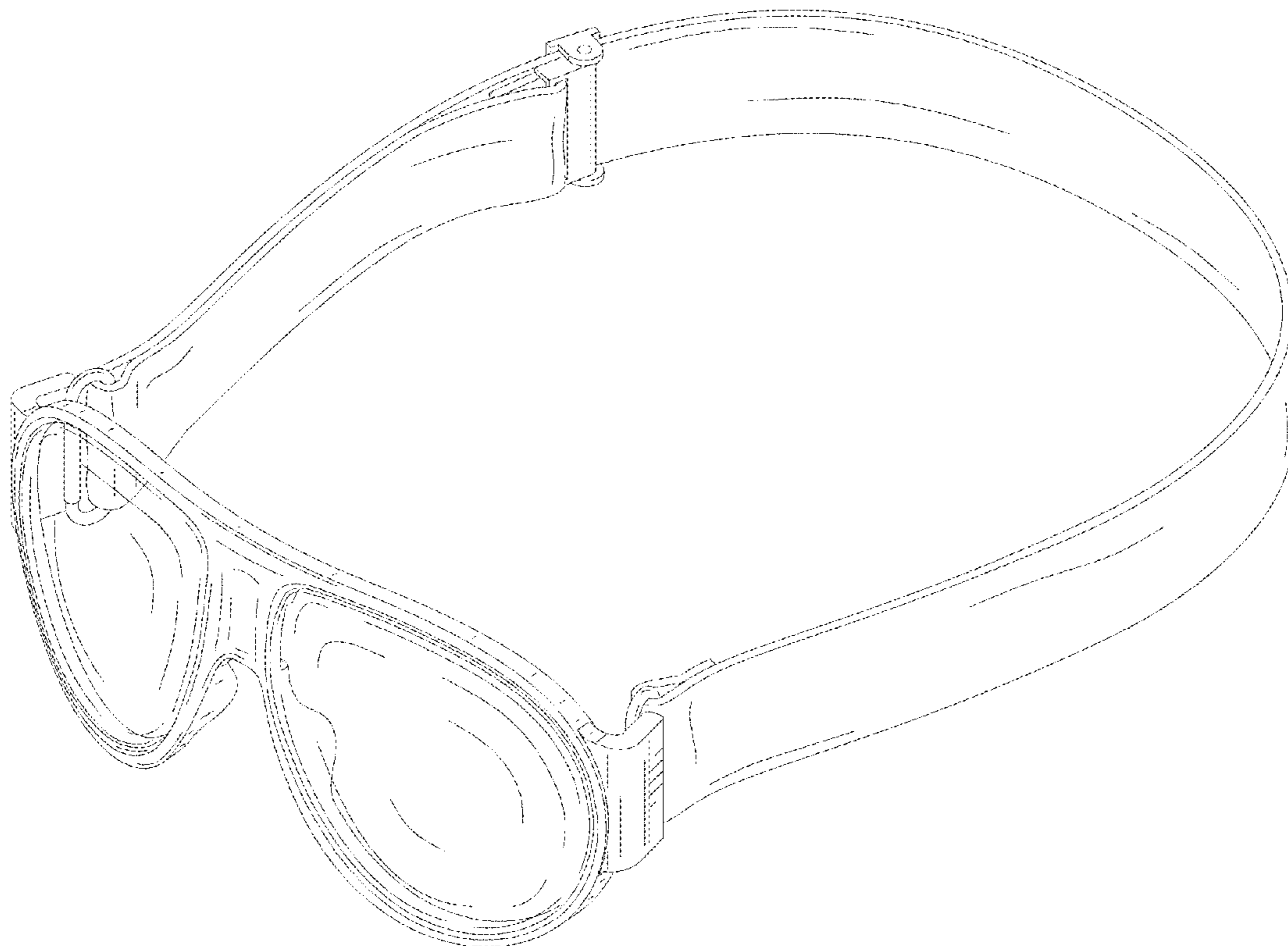
(57) **CLAIM**

The ornamental design for ski glasses, as shown.

DESCRIPTION

FIG. 1 is a front right perspective view of ski glasses showing my new design;
FIG. 2 is a rear left perspective view thereof;
FIG. 3 is a top view thereof;
FIG. 4 is a bottom view thereof;
FIG. 5 is a left side view thereof;
FIG. 6 is a right side view thereof;
FIG. 7 is a front view thereof; and,
FIG. 8 is a rear view thereof.

1 Claim, 6 Drawing Sheets



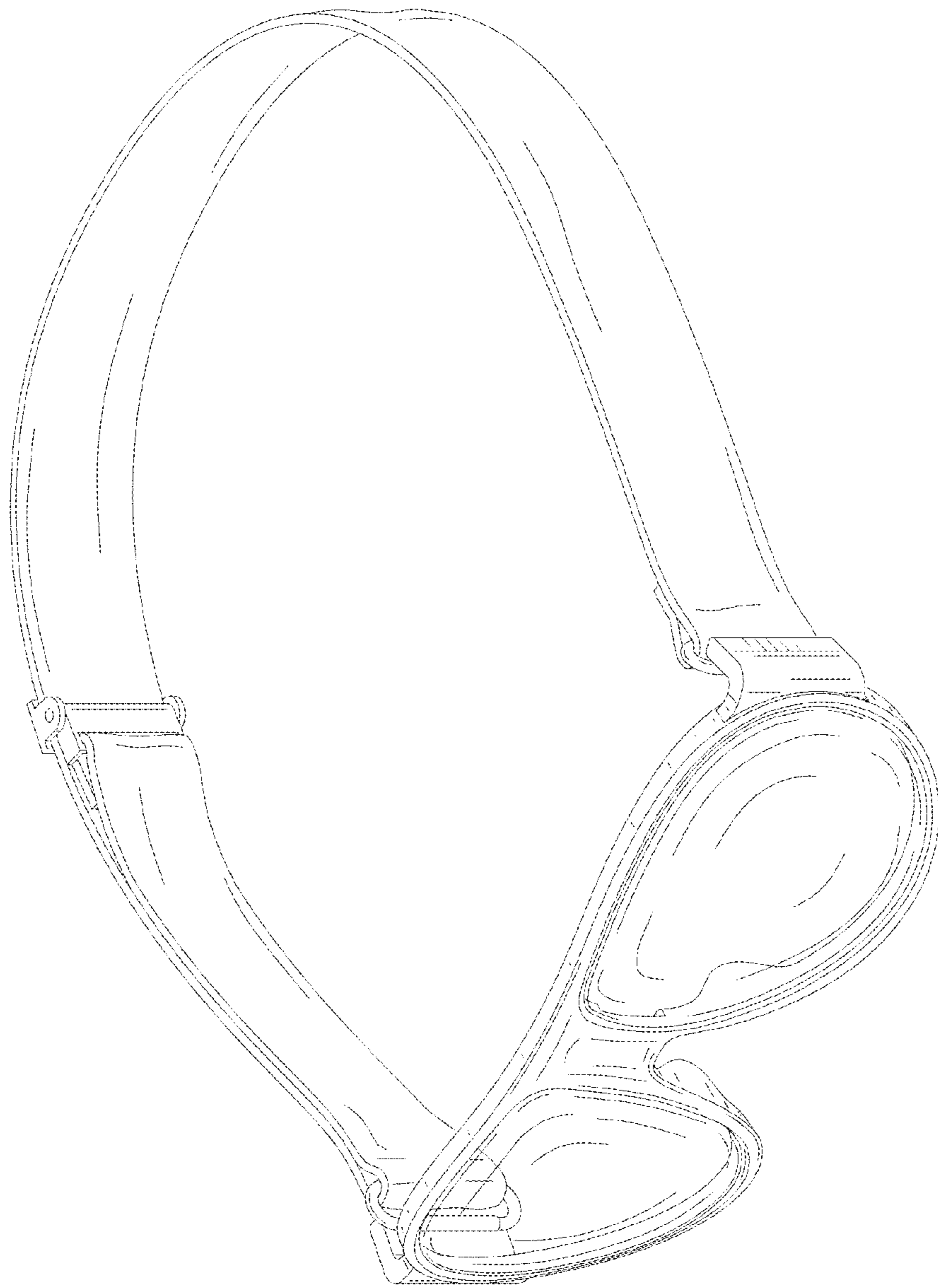


FIG. 1

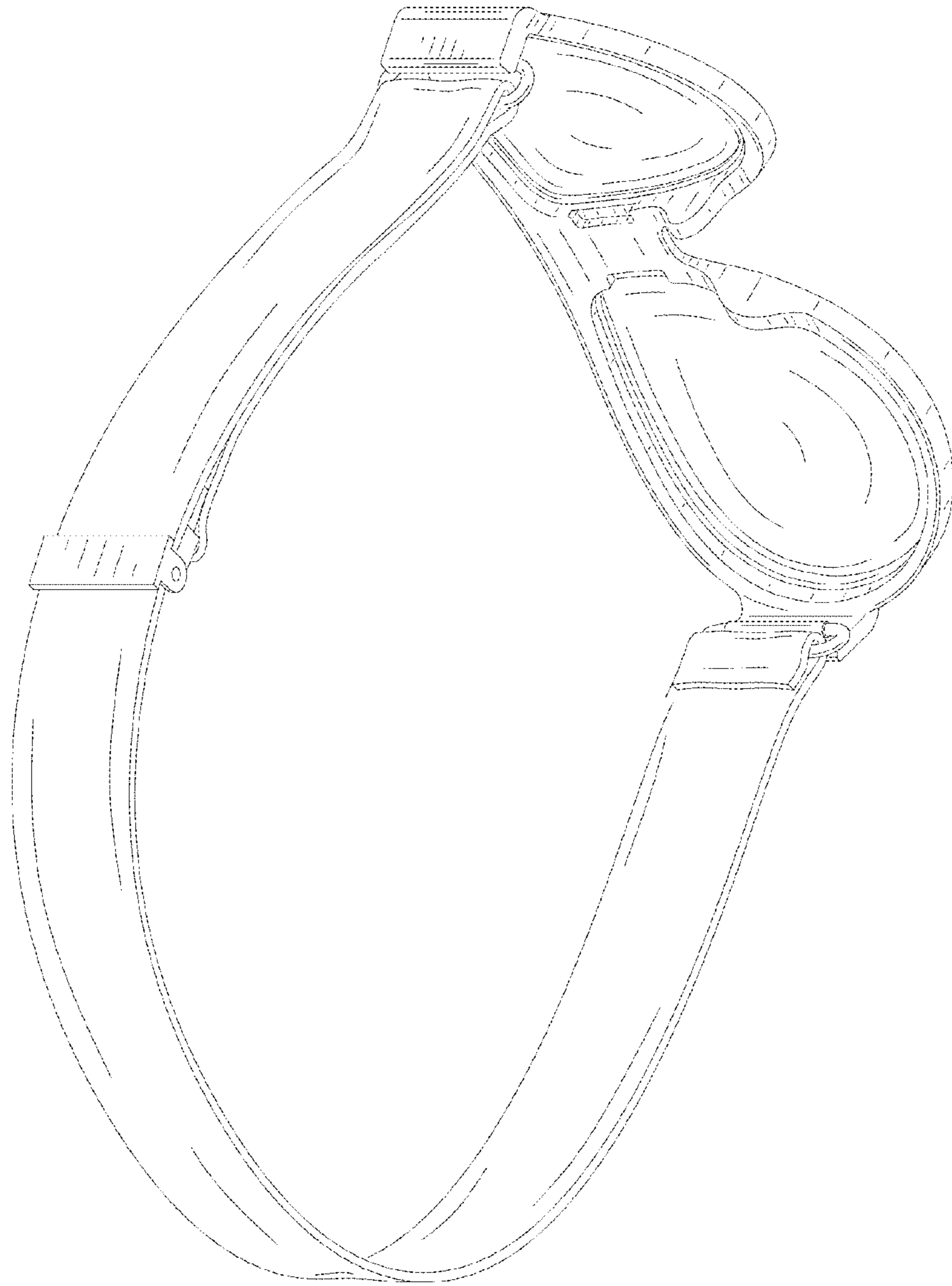


FIG. 2

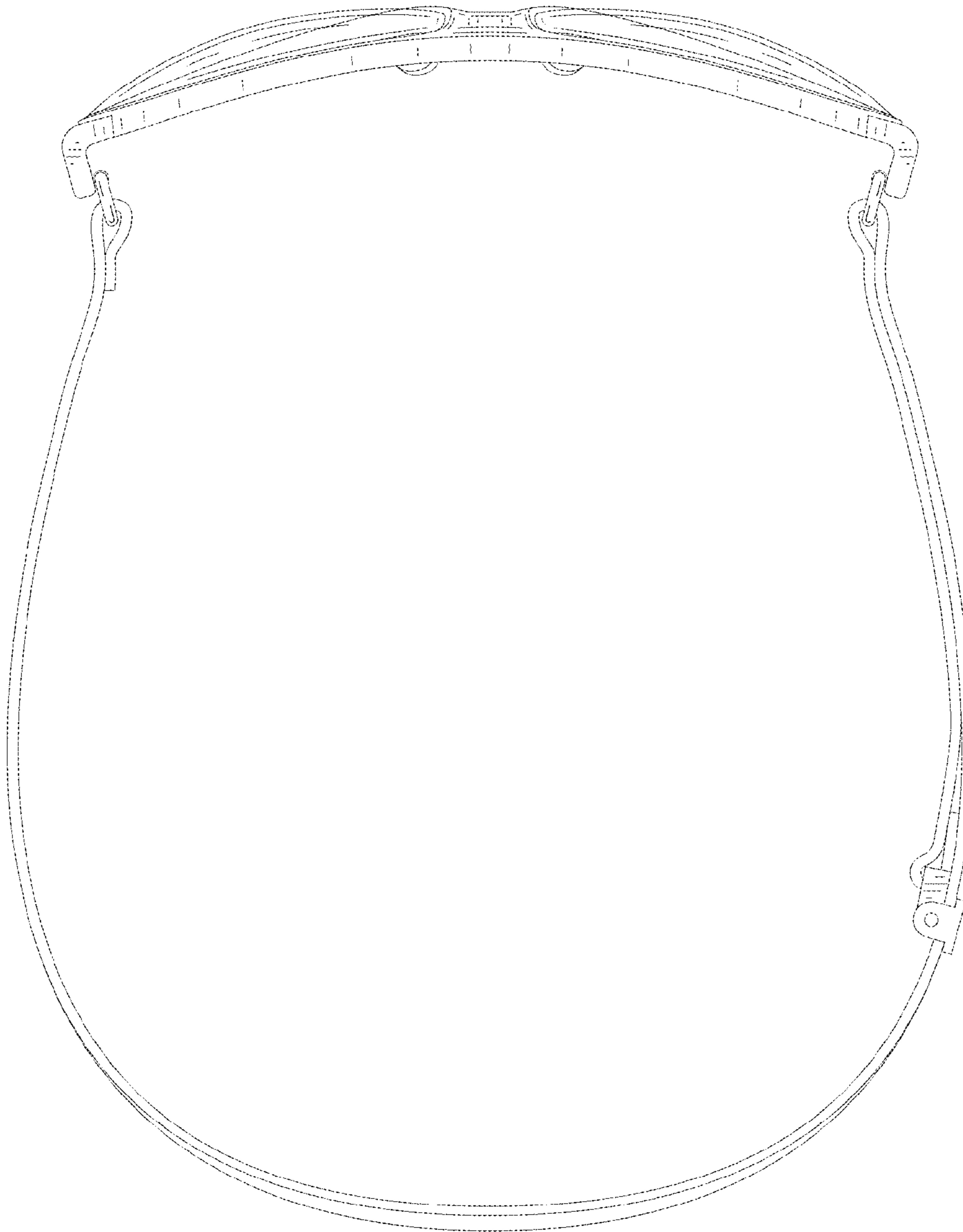


FIG. 3

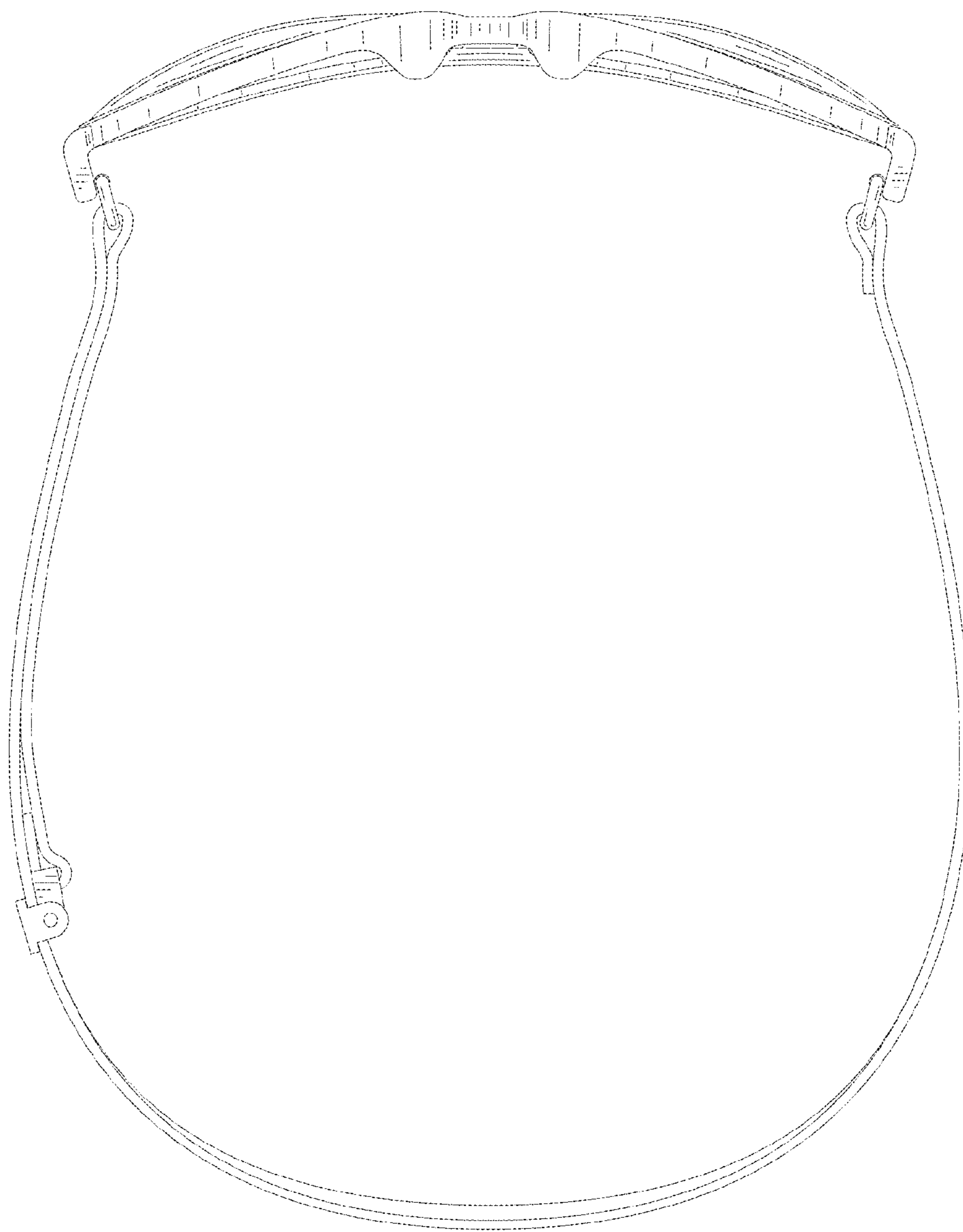


FIG. 4

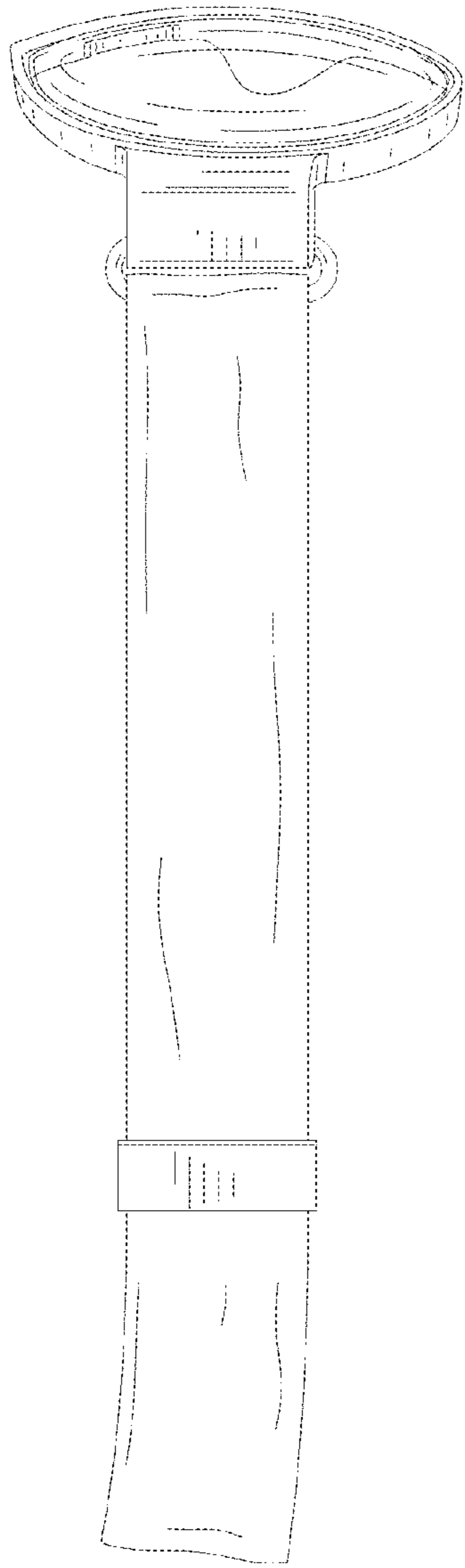


FIG. 5

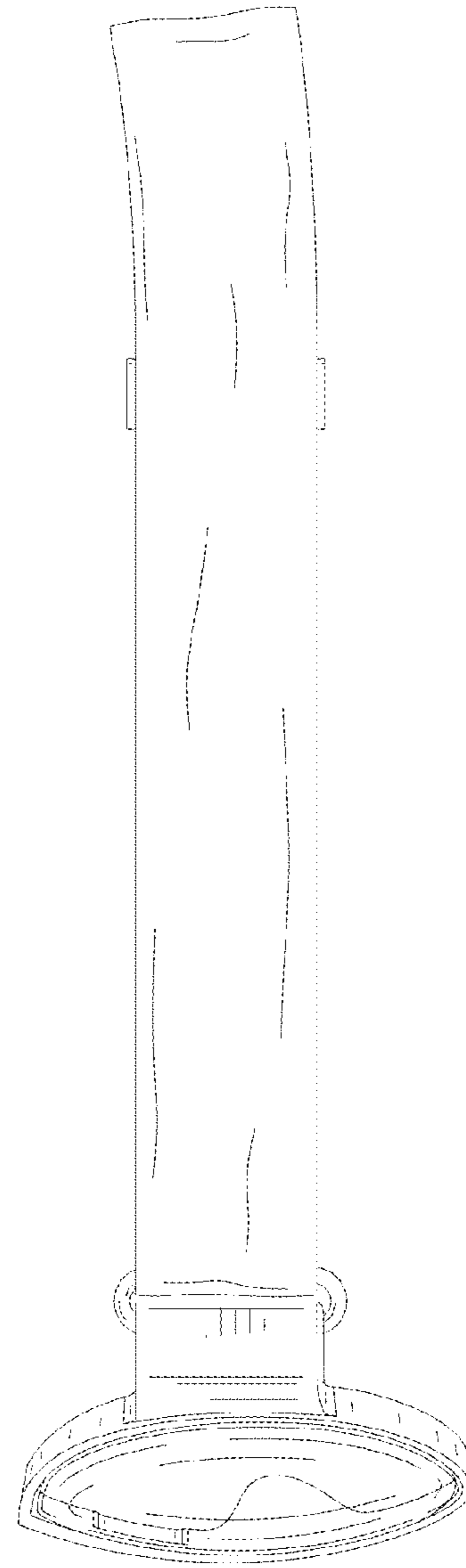


FIG. 6

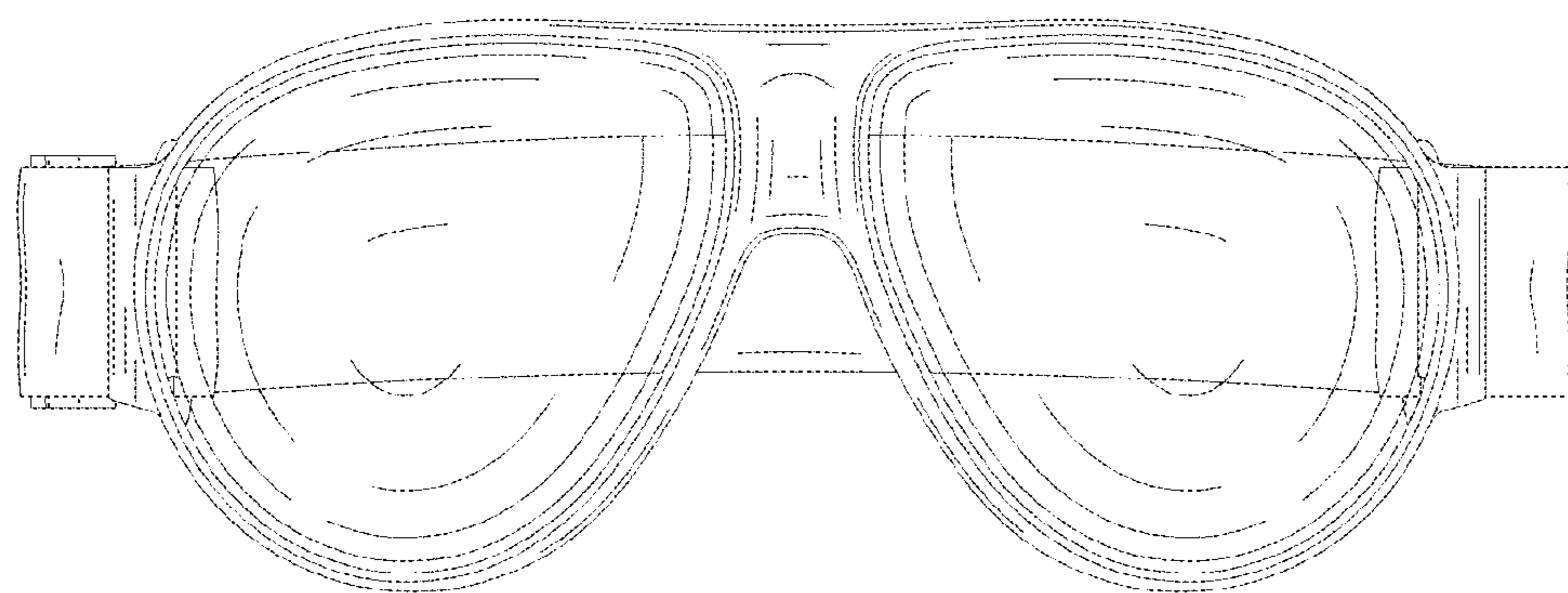


FIG. 7

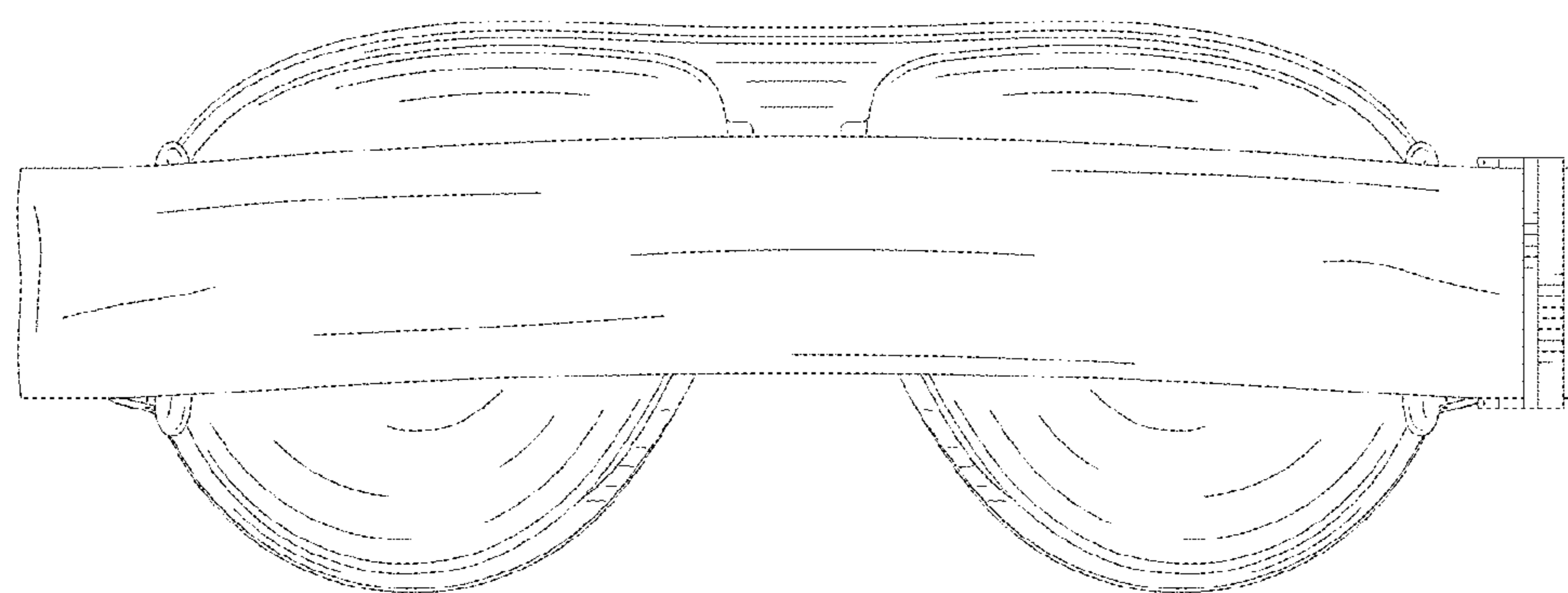


FIG. 8