



US00D702199S

(12) **United States Design Patent**  
**Park et al.**

(10) **Patent No.:** **US D702,199 S**  
(45) **Date of Patent:** **\*\* Apr. 8, 2014**

(54) **TELEVISION RECEIVER**

D21/505; D6/477, 479, 300; 273/148 B;  
446/484, 175, 356; D10/15, 26

(71) Applicant: **Samsung Electronics Co., Ltd.**,  
Suwon-si (KR)

See application file for complete search history.

(72) Inventors: **Jin-Su Park**, Seoul (KR); **Eui-Seok Kim**,  
Sungnam-Si (KR); **Sang-Young Lee**, Gwangmyeong-Si (KR)

(56) **References Cited**

U.S. PATENT DOCUMENTS

D548,206 S \* 8/2007 Han ..... D14/126  
D581,378 S \* 11/2008 Chiu ..... D14/126  
D680,979 S \* 4/2013 Chen ..... D14/126

(73) Assignee: **Samsung Electronics Co., Ltd.**,  
Suwon-si (KR)

\* cited by examiner

(\*\*) Term: **14 Years**

*Primary Examiner* — Raphael Barkai

(21) Appl. No.: **29/450,404**

(74) *Attorney, Agent, or Firm* — NSIP Law

(22) Filed: **Mar. 18, 2013**

(57) **CLAIM**

The ornamental design for a television receiver, as shown and described.

(30) **Foreign Application Priority Data**

**DESCRIPTION**

Oct. 23, 2012 (KR) ..... 30-2012-0050385

(51) **LOC (10) Cl.** ..... **14-03**

(52) **U.S. Cl.**  
USPC ..... **D14/126**

(58) **Field of Classification Search**  
USPC ..... D14/125–134, 239, 371, 136, 374–377,  
D14/440, 450, 448, 336, 342, 159; 312/7.2;  
348/836, 838, 180, 184, 325, 739;  
341/12; 248/917–924, 465; 345/104,  
345/133, 156, 168, 87, 173; 720/605, 669,  
720/600, 655; 369/99, 197; D21/329, 515,  
D21/577, 622, 333, 433, 448, 452, 450, 331,

FIG. 1 is a front perspective view of a television receiver;  
FIG. 2 is a front view of the television receiver of FIG. 1;  
FIG. 3 is a rear view of the television receiver of FIG. 1;  
FIG. 4 is a left-side view of the television receiver of FIG. 1;  
FIG. 5 is a right-side view of the television receiver of FIG. 1;  
FIG. 6 is a top plan view of the television receiver of FIG. 1;  
and,  
FIG. 7 is a bottom plan view of the television receiver of FIG. 1.

**1 Claim, 5 Drawing Sheets**

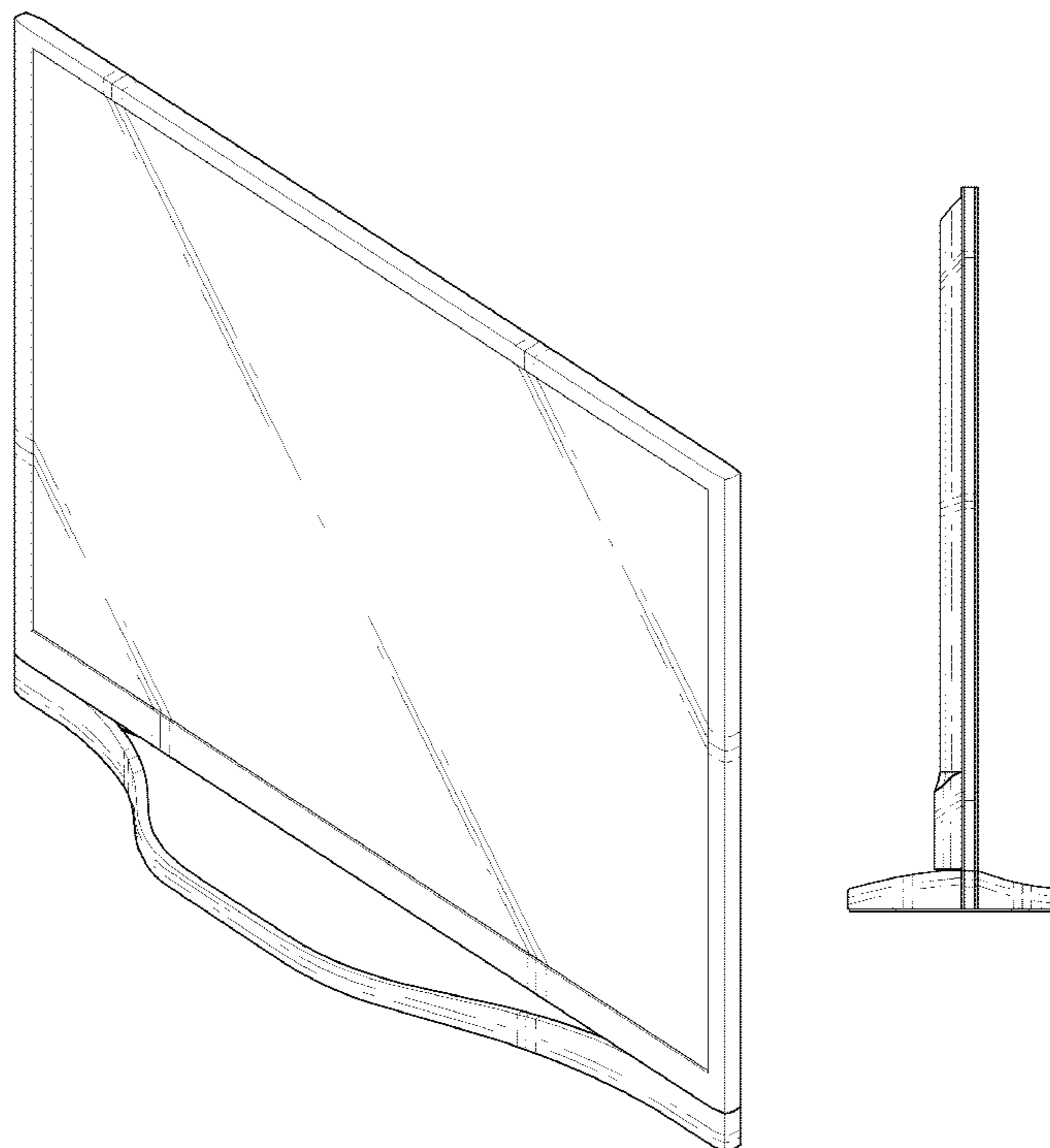


FIG. 1

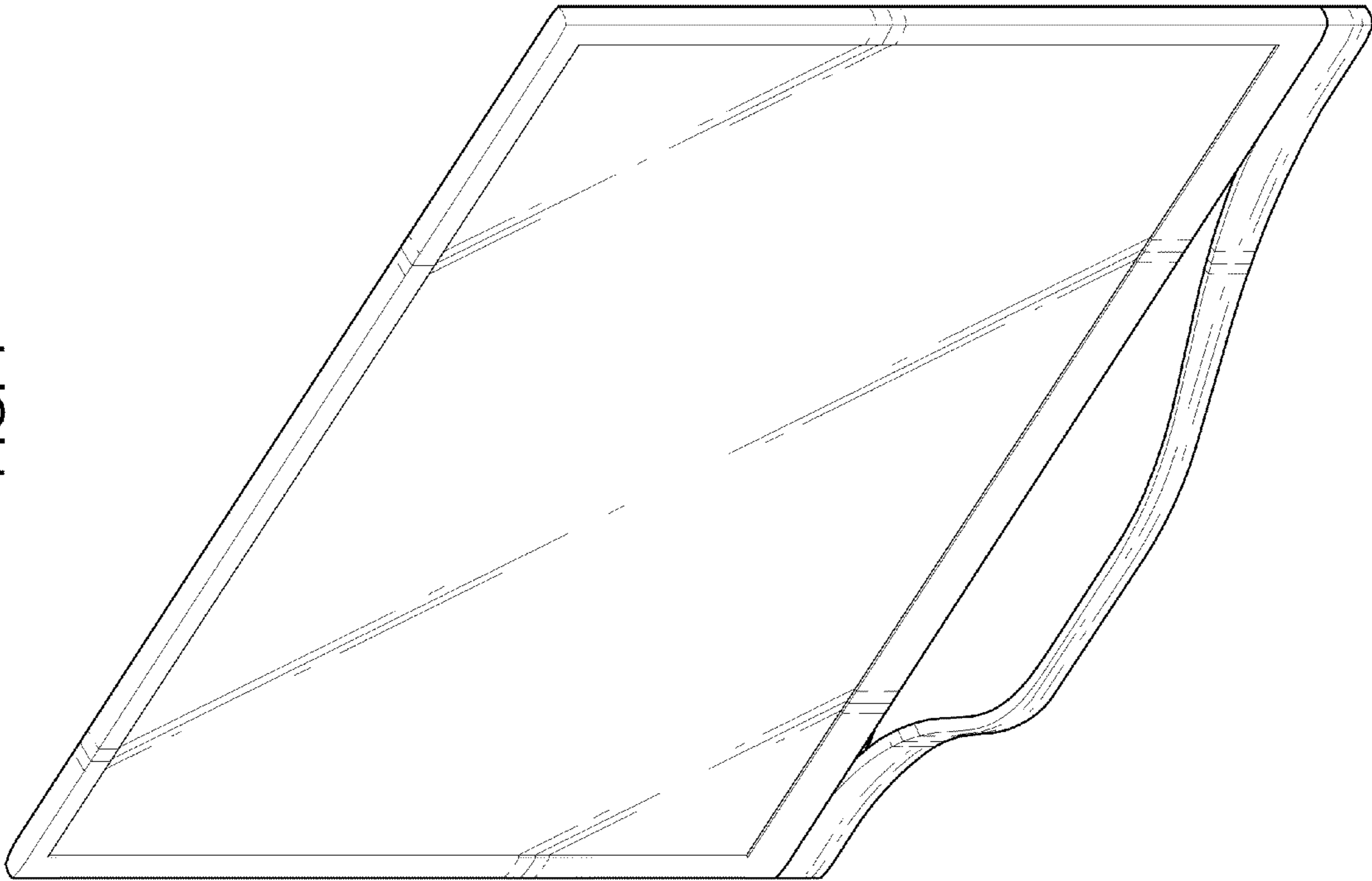


FIG. 2

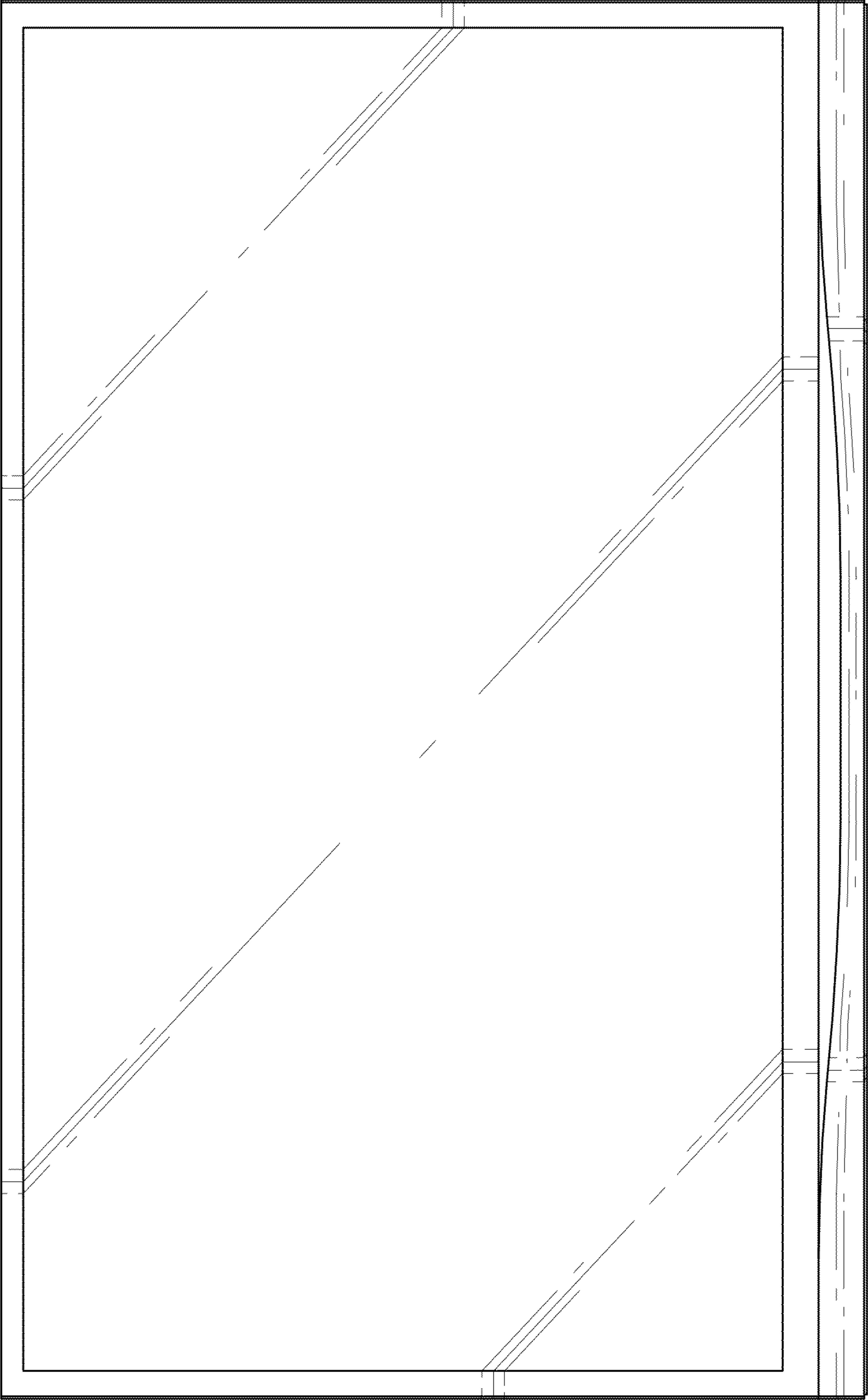


FIG. 3

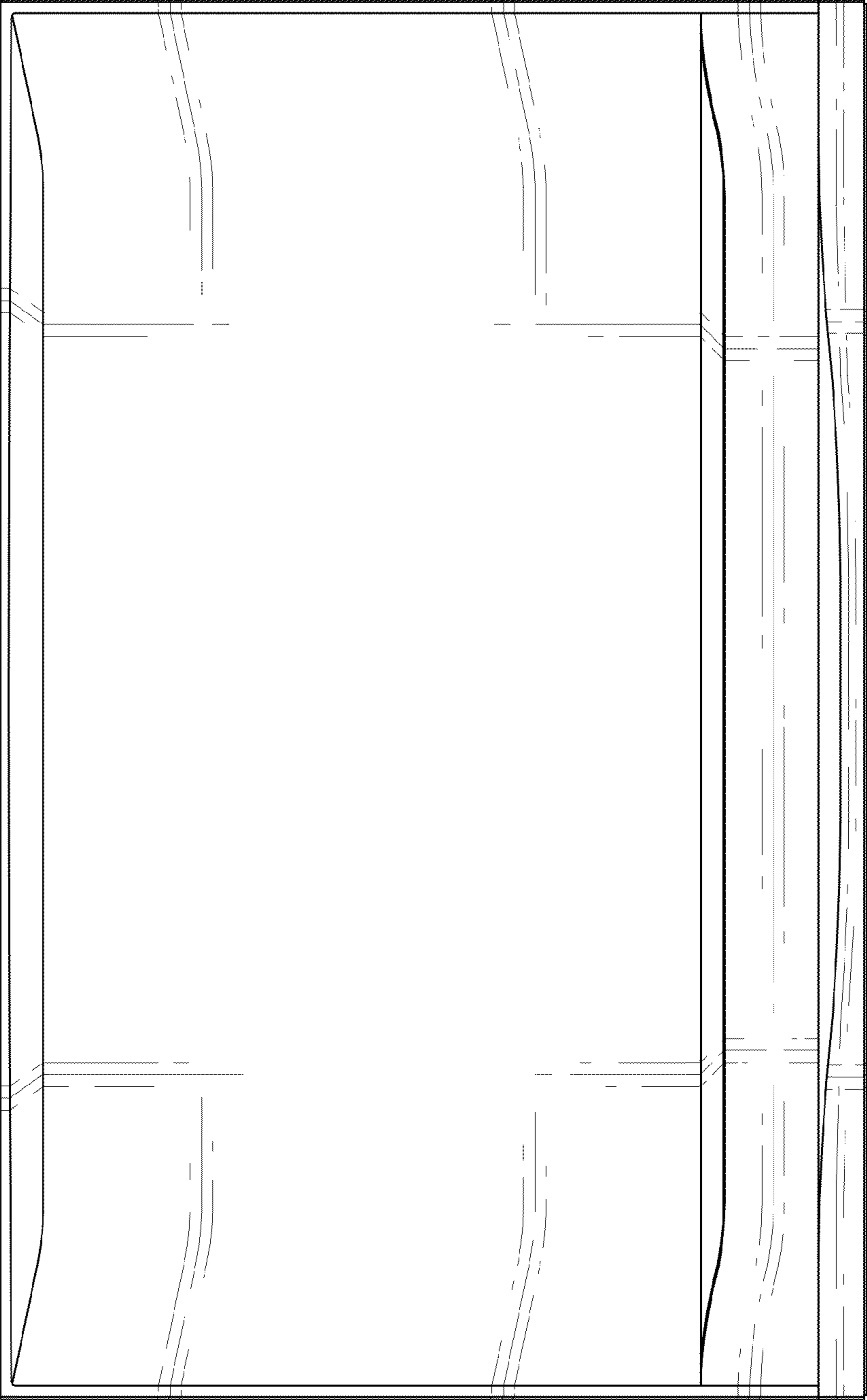


FIG. 5

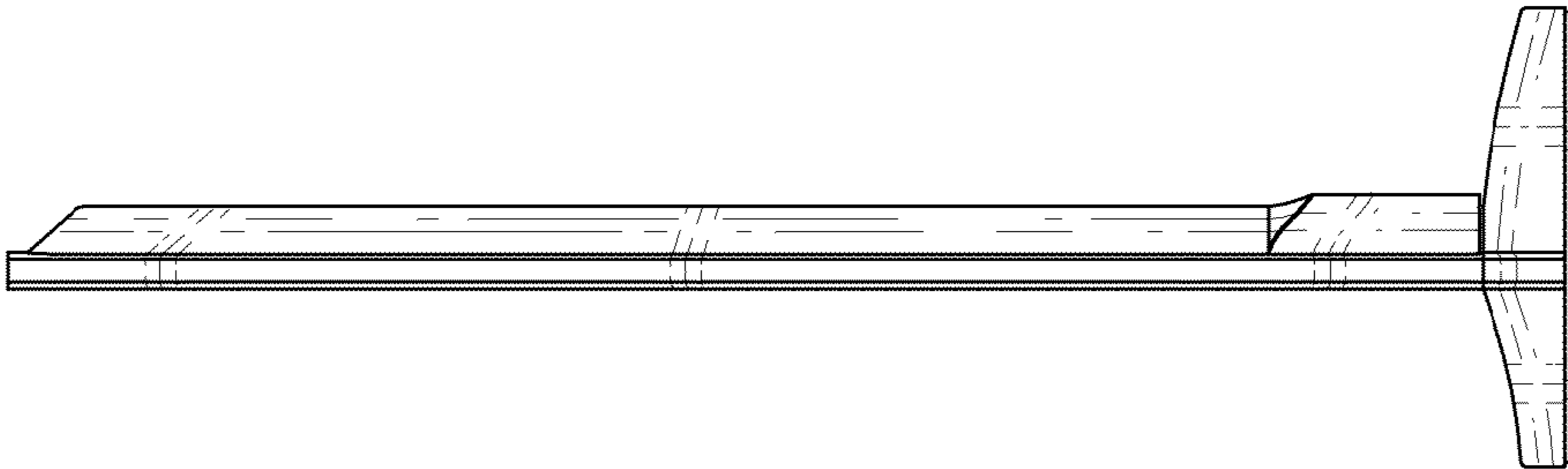


FIG. 4

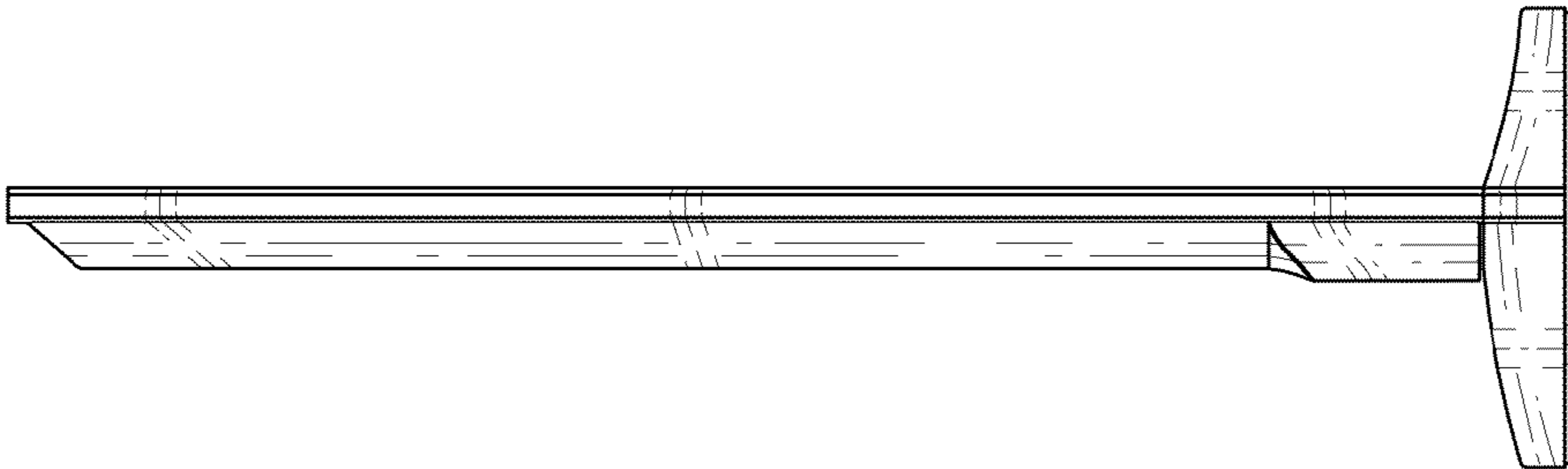


FIG. 6

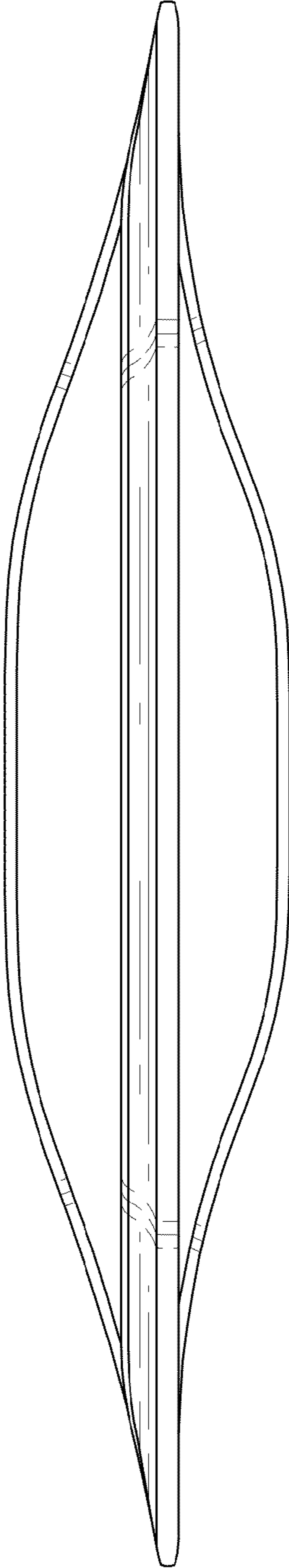


FIG. 7

