



US00D702198S

(12) **United States Design Patent**
Gretz

(10) **Patent No.:** **US D702,198 S**
(45) **Date of Patent:** **** Apr. 8, 2014**

- (54) **ELECTRICAL ENCLOSURE BOX**
- (71) Applicant: **Thomas J. Gretz**, Port St. Lucie, FL (US)
- (72) Inventor: **Thomas J. Gretz**, Port St. Lucie, FL (US)
- (73) Assignee: **Arlington Industries, Inc.**, Scranton, PA (US)

D379,176	S	*	5/1997	Chambers et al.	D13/156
D379,970	S	*	6/1997	Chambers et al.	D13/156
D395,897	S	*	7/1998	Honma et al.	D14/240
D408,015	S	*	4/1999	Faucher	D13/152
D425,493	S	*	5/2000	Cutright et al.	D13/184
D471,182	S	*	3/2003	Cheung	D14/240
D507,241	S	*	7/2005	Koessler	D13/152
D553,574	S	*	10/2007	Neveu	D13/152
D606,492	S	*	12/2009	Steinfels	D13/119
7,737,360	B2	*	6/2010	Wiemeyer et al.	174/50
D636,343	S	*	4/2011	Leal et al.	D13/152
8,143,519	B2	*	3/2012	Puccini	174/59

(**) Term: **14 Years**

(21) Appl. No.: **29/441,696**

(22) Filed: **Jan. 9, 2013**

(51) **LOC (10) Cl.** **13-03**

(52) **U.S. Cl.**
USPC **D13/184; D13/152**

(58) **Field of Classification Search**
USPC D10/118.2; D13/119, 125, 139.2, D13/139.6, 146, 147, 152, 156, 158, 162, D13/171, 184; D14/141.1, 142, 149, 240, D14/242, 256, 357, 435; D8/383; 439/133, 439/142, 373, 460, 532; 379/413.04, 379/413.02; 362/145; 361/641; 220/3.2, 220/3.7, 3.8; 174/50, 502, 67, 59

See application file for complete search history.

(56) **References Cited**

U.S. PATENT DOCUMENTS

D312,244	S	*	11/1990	Collins et al.	D13/152
D337,313	S	*	7/1993	Davis	D13/184
D340,693	S	*	10/1993	Brownlie et al.	D13/152
D367,646	S	*	3/1996	Schneider et al.	D13/152
D375,082	S	*	10/1996	Messelhi	D13/152
D376,350	S	*	12/1996	Worley et al.	D13/184
D378,913	S	*	4/1997	Chambers et al.	D13/156

OTHER PUBLICATIONS

Arlington Enclosure Boxes, no image post date information, site visited Dec. 31, 2013, [online], Copyright © 2012 Arlington Industries, Inc., <http://www.aifittings.com/products/spec-sheets/ENCLOSURE_BOXES.pdf>.*

* cited by examiner

Primary Examiner — Deanna L Pratt
Assistant Examiner — Harold Blackwell, II

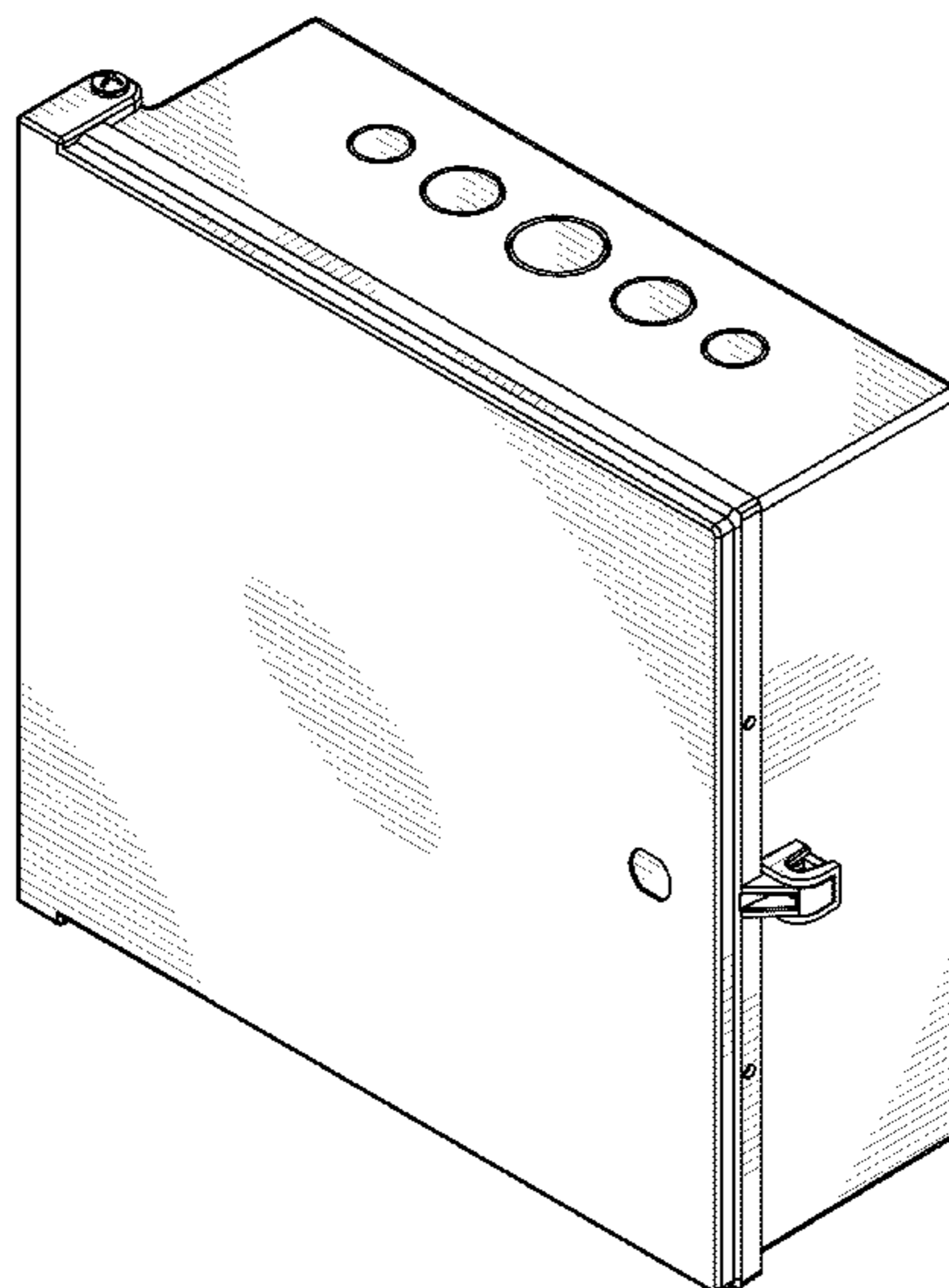
(57) **CLAIM**

The ornamental design for an electrical enclosure box, as shown and described.

DESCRIPTION

FIG. 1 is a front elevational view of an electrical enclosure box showing my new design;
FIG. 2 is a rear elevational view thereof;
FIG. 3 is a top view thereof, with the bottom view being a mirror image thereof;
FIG. 4 is a left side view thereof;
FIG. 5 is a right side view thereof; and,
FIG. 6 is a perspective view thereof.

1 Claim, 3 Drawing Sheets



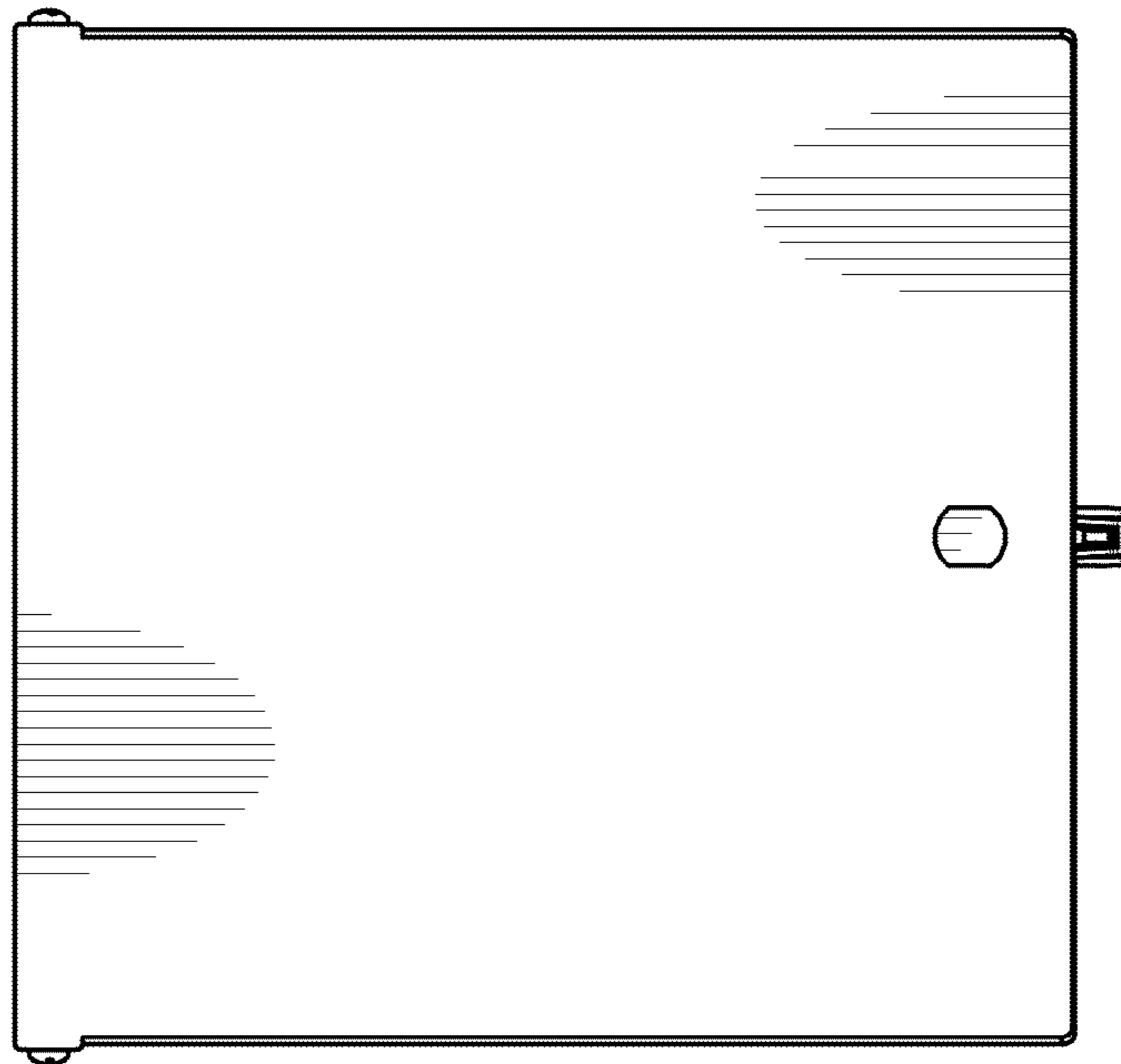


Fig. 1

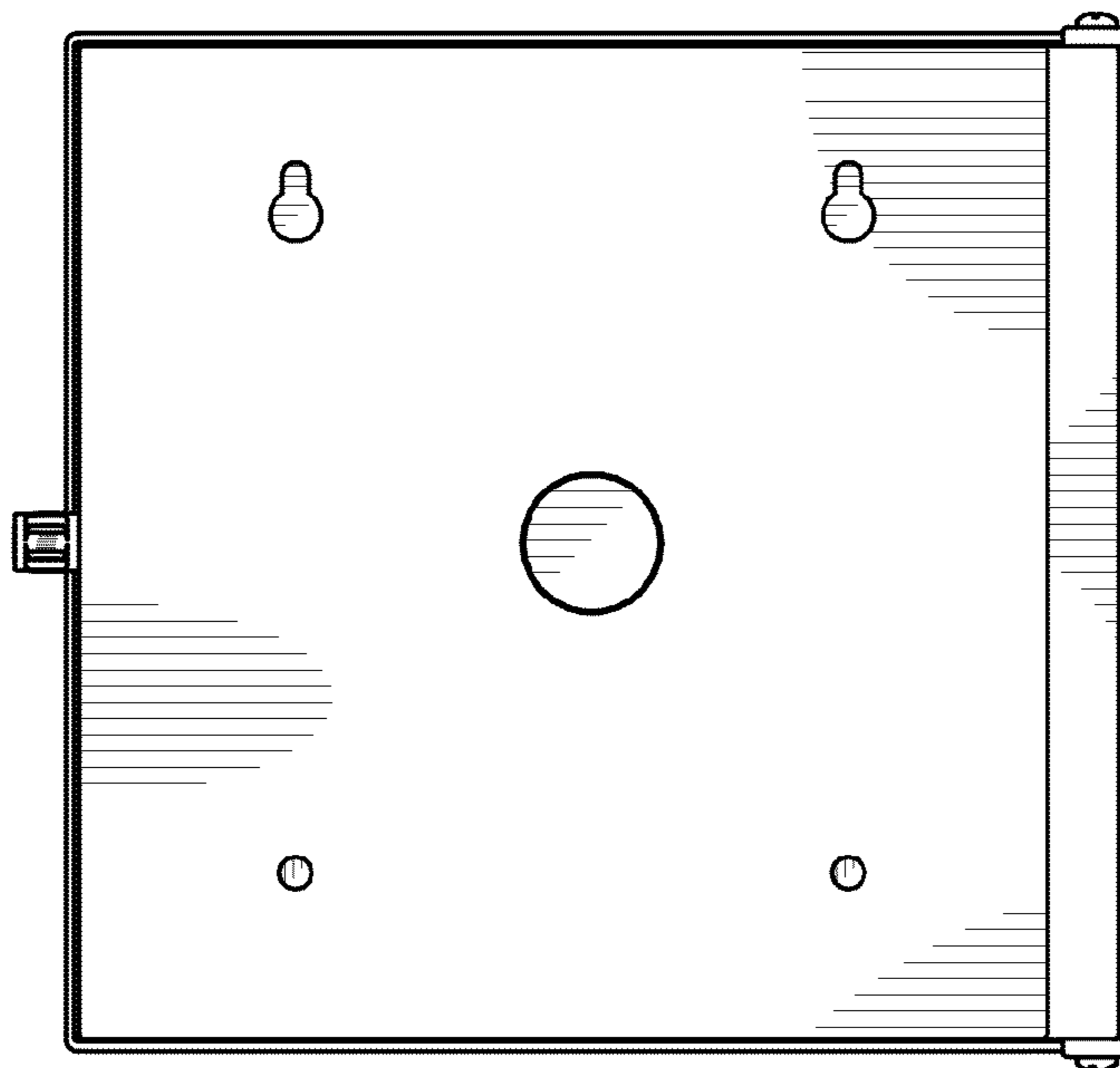


Fig. 2

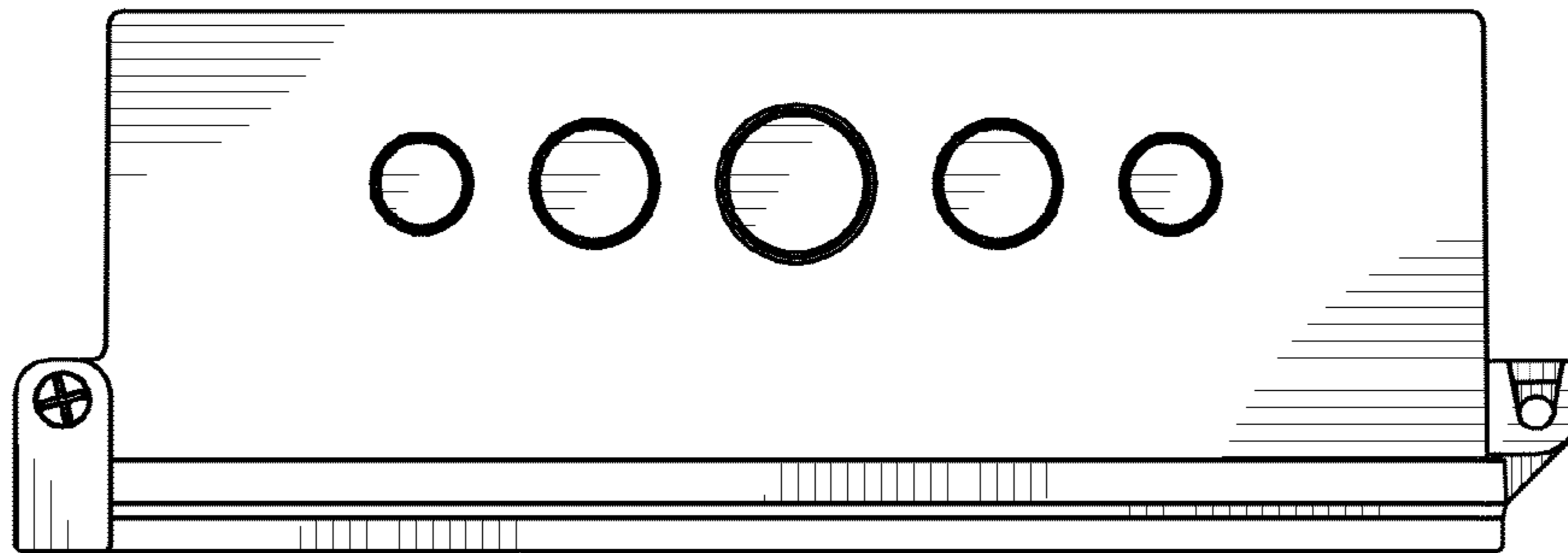


Fig. 3

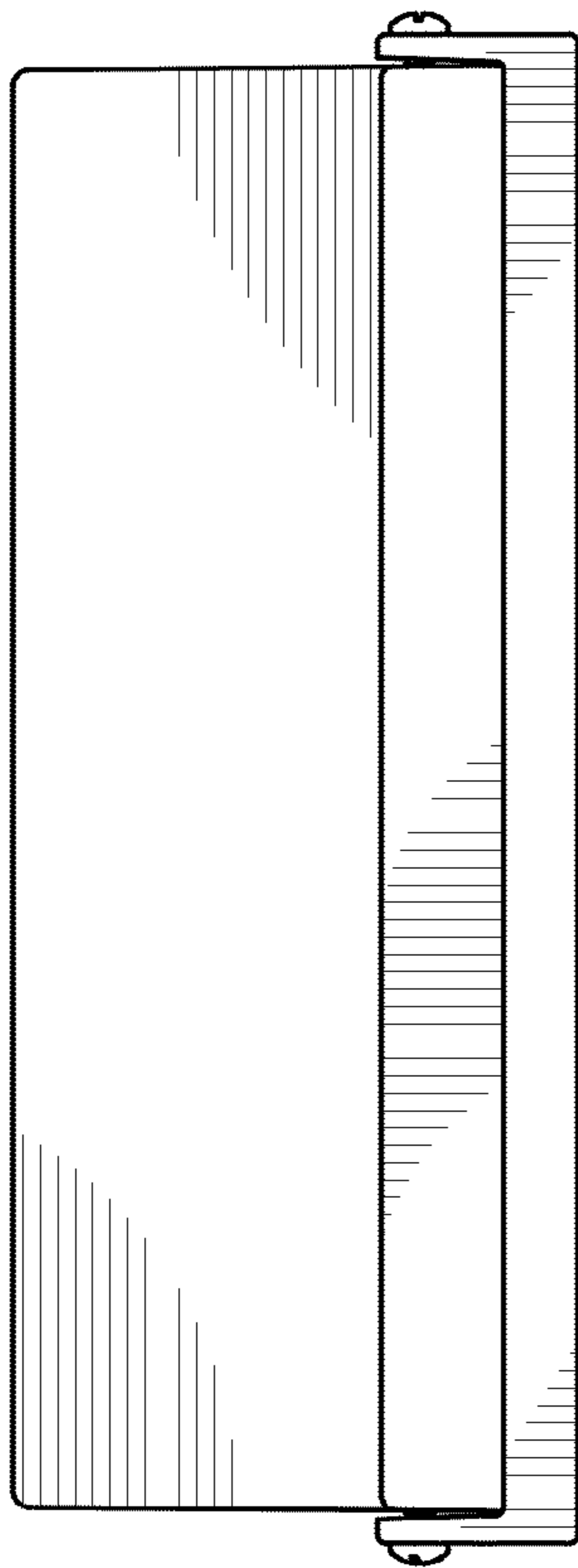


Fig. 4

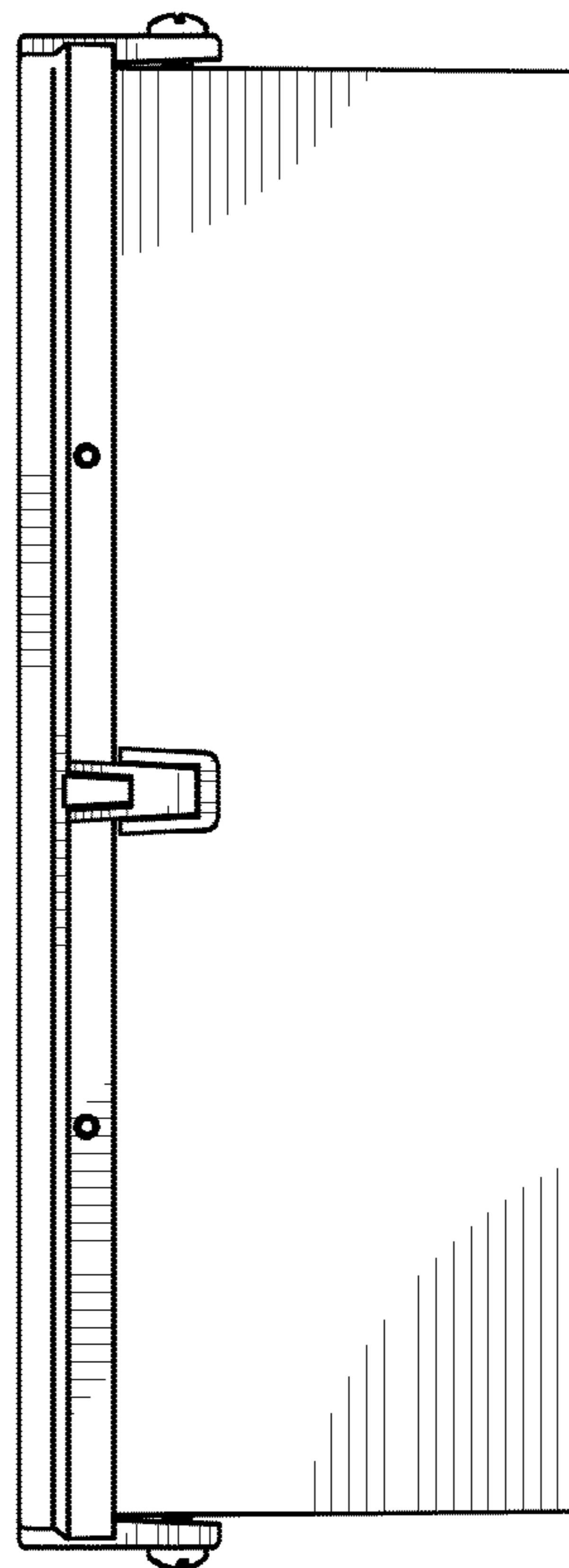


Fig. 5

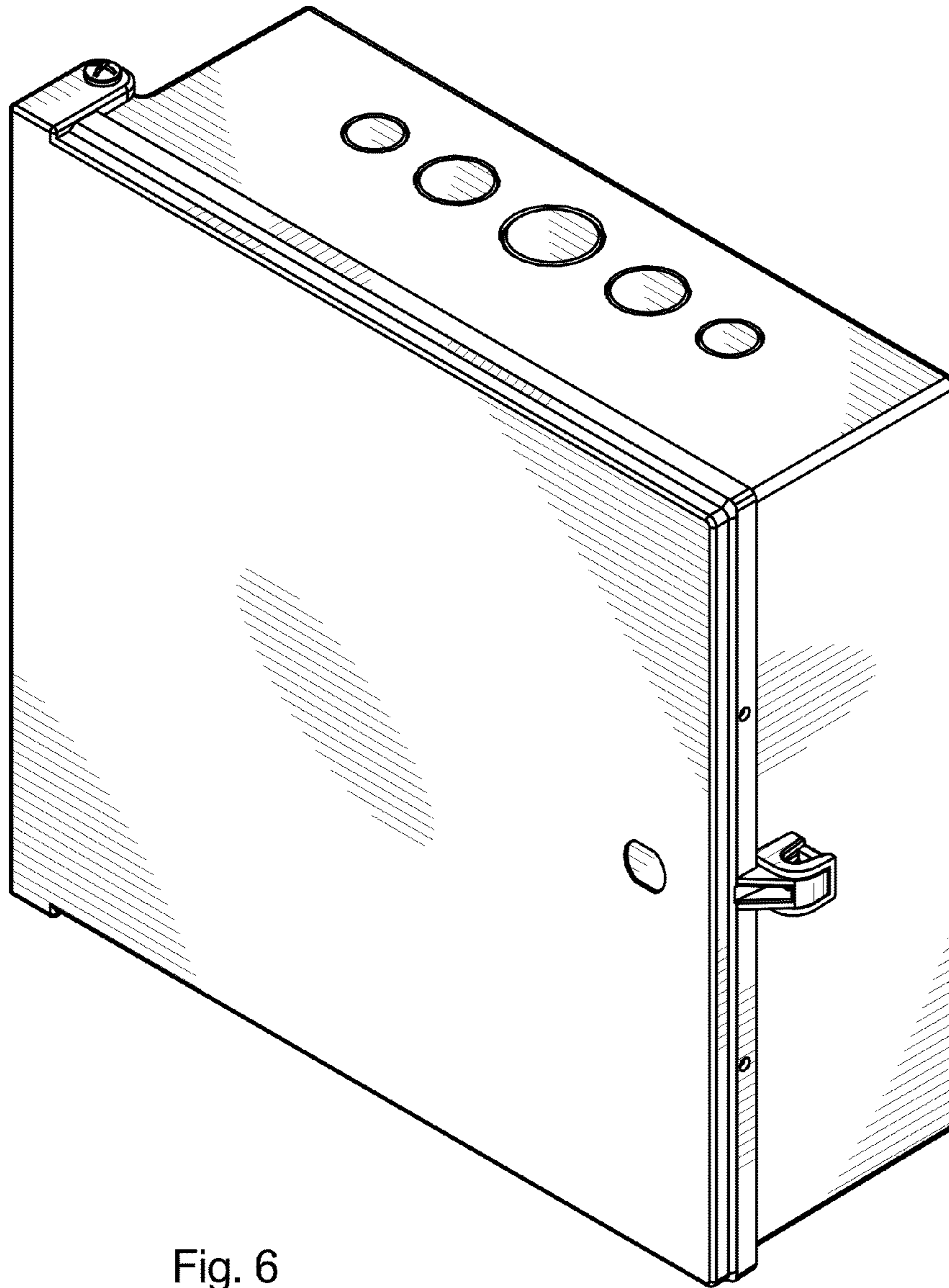


Fig. 6