

US00D702196S

(12) **United States Design Patent**  
**Wisniewski et al.**

(10) **Patent No.:** **US D702,196 S**  
(45) **Date of Patent:** **\*\* Apr. 8, 2014**

- (54) **WALL MOUNTED BUTTON PANEL**
- (71) Applicants: **Stanley Wisniewski**, Pompton Plains, NJ (US); **Doug Jacobson**, Oradell, NJ (US)
- (72) Inventors: **Stanley Wisniewski**, Pompton Plains, NJ (US); **Doug Jacobson**, Oradell, NJ (US)
- (73) Assignee: **Crestron Electronics Inc.**, Rockleigh, NJ (US)
- (\*\*) Term: **14 Years**
- (21) Appl. No.: **29/444,957**
- (22) Filed: **Feb. 6, 2013**

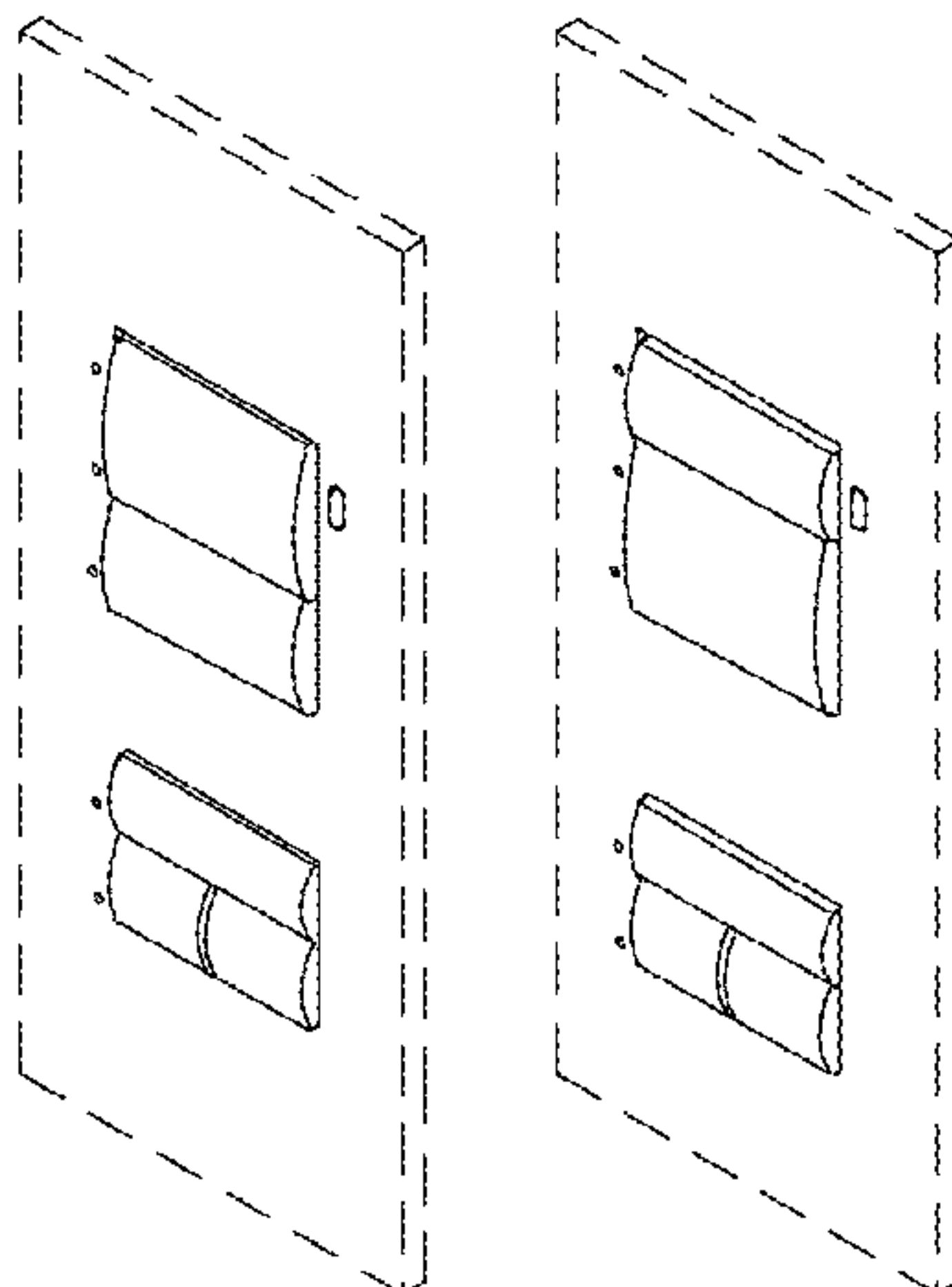
**Related U.S. Application Data**

- (62) Division of application No. 29/394,174, filed on Jun. 14, 2011, now Pat. No. Des. 678,851.
- (51) **LOC (10) Cl.** ..... **13-03**
- (52) **U.S. Cl.**  
USPC ..... **D13/174**
- (58) **Field of Classification Search**  
USPC ..... D13/162, 164, 171, 174; 174/66; 307/139, 157; 315/209 R, 224, 246, 315/291, 294, 295; 200/5 R, 5 A, 302.2, 520, 200/530, 293, 296, 308, 310, 314, 329, 200/341; 220/241  
See application file for complete search history.

D311,485 S	10/1990	Jacoby et al.
D311,678 S	10/1990	Graef et al.
D313,738 S	1/1991	Mayo et al.
D319,429 S	8/1991	D'Aleo et al.
D327,255 S	6/1992	D'Aleo et al.
D336,744 S	6/1993	Kahn et al.
5,260,669 A	11/1993	Higgins et al.
D344,264 S	2/1994	D'Aleo et al.
5,289,043 A	2/1994	Marshall et al.
5,293,308 A	3/1994	Boys et al.
D353,798 S	12/1994	Bryde et al.
5,399,926 A	3/1995	Adams et al.
5,430,356 A	7/1995	Ference et al.
5,463,286 A	10/1995	D'Aleo et al.
5,608,196 A	3/1997	Hall et al.
5,670,858 A	9/1997	Heath
D389,461 S	1/1998	Mayo et al.
D389,805 S	1/1998	Mayo et al.
D395,037 S	6/1998	Mayo et al.
D404,013 S	1/1999	Mayo et al.
5,903,139 A	5/1999	Kompelien
D412,315 S	7/1999	Mayo et al.
D421,246 S	2/2000	Mayo et al.
D422,567 S	4/2000	Mayo et al.
6,091,205 A	7/2000	Newman, Jr. et al.
D428,855 S	8/2000	Mayo et al.
6,120,262 A	9/2000	McDonough et al.
D436,930 S	1/2001	Butler
D437,585 S	2/2001	Mayo et al.
D437,834 S	2/2001	Mayo et al.
6,218,787 B1	4/2001	Murcko et al.
D441,723 S	5/2001	Mayo et al.
D442,558 S	5/2001	Mayo et al.
D450,043 S	11/2001	Mosebrook
D453,742 S	2/2002	Butler et al.
6,356,038 B2	3/2002	Bishel
D456,783 S	5/2002	Mayo et al.
D461,782 S	8/2002	Butler et al.
D465,460 S	11/2002	Mayo et al.
D466,090 S	11/2002	Bennett
D466,091 S	11/2002	Bennett
D466,484 S	12/2002	Bennett
6,545,434 B2	4/2003	Sembhi et al.
D475,024 S	5/2003	Bennett
D475,025 S	5/2003	Bennett
D490,061 S	5/2004	Bennett
D510,074 S	9/2005	Larson et al.
6,969,959 B2	11/2005	Black et al.
D516,041 S	2/2006	Hobart et al.
D535,950 S	1/2007	Alker et al.
D538,238 S	3/2007	Alker et al.
D539,758 S	4/2007	Blair et al.
D542,226 S	5/2007	Spira

(56) **References Cited**  
U.S. PATENT DOCUMENTS

4,529,951 A	7/1985	Youichi
D285,066 S	8/1986	Liss et al.
D287,242 S	12/1986	Liss et al.
4,716,357 A	12/1987	Cooper
4,728,866 A	3/1988	Capewell
4,876,498 A	10/1989	Luchaco
4,888,494 A	12/1989	McNair et al.
4,954,768 A	9/1990	Luchaco et al.
D311,382 S	10/1990	Mayo et al.



D542,227 S	5/2007	Larson et al.	D678,222 S *	3/2013	Wisniewski et al. ....	D13/174
D542,229 S	5/2007	Larson et al.	D678,223 S *	3/2013	Wisniewski et al. ....	D13/174
D546,294 S	7/2007	Mayo et al.	D678,850 S *	3/2013	Wisniewski et al. ....	D13/174
D546,776 S	7/2007	Miarta et al.	D678,851 S *	3/2013	Wisniewski et al. ....	D13/174
D547,733 S	7/2007	Mayo et al.	D686,166 S *	7/2013	Wisniewski et al. ....	D13/174
D547,734 S	7/2007	Mayo et al.	D686,167 S *	7/2013	Wisniewski et al. ....	D13/174
D550,163 S	9/2007	Mayo et al.	D686,168 S *	7/2013	Wisniewski et al. ....	D13/174
D550,164 S	9/2007	Mayo et al.	D686,169 S *	7/2013	Wisniewski et al. ....	D13/174
D550,165 S	9/2007	Mayo et al.	D686,170 S *	7/2013	Wisniewski et al. ....	D13/174
D550,166 S	9/2007	Mayo et al.	D686,171 S *	7/2013	Wisniewski et al. ....	D13/174
D551,177 S	9/2007	Larson et al.	D686,172 S *	7/2013	Wisniewski et al. ....	D13/174
D551,178 S	9/2007	Mayo et al.	2002/0060530 A1	5/2002	Sembhi et al.	
D551,179 S	9/2007	Mayo et al.	2005/0275354 A1	12/2005	Hausman et al.	
D551,630 S	9/2007	Larson et al.	2005/0284738 A1	12/2005	Altonen et al.	
D551,631 S	9/2007	Mayo et al.	2006/0255745 A1	11/2006	DeJonge	
D552,042 S	10/2007	Mayo et al.	2007/0001654 A1	1/2007	Newman	
D557,662 S	12/2007	Spira	2007/0285027 A1	12/2007	Gehman	
D557,664 S	12/2007	Hewson et al.	2008/0024074 A1	1/2008	Mosebrook	
D557,665 S	12/2007	Hewson et al.	2008/0111501 A1	5/2008	Dobbins et al.	
D572,664 S	7/2008	Hollner et al.	2008/0237010 A1	10/2008	Patel et al.	
D572,665 S	7/2008	Hollner et al.	2009/0039854 A1	2/2009	Blakely	
D572,666 S	7/2008	Biery et al.	2009/0108765 A1	4/2009	Weightman et al.	
D573,546 S	7/2008	Hollner	2010/0214756 A1	8/2010	Feldstein	
D573,956 S	7/2008	Hollner et al.	2011/0248893 A1	10/2011	Feldstein	
D574,787 S	8/2008	Hollner	2012/0068894 A1	3/2012	Feldstein	
D576,958 S	9/2008	Hollner	2012/0160641 A1	6/2012	Wisniewski	
D580,881 S	11/2008	Hollner				
D580,882 S	11/2008	Hollner				
D580,883 S	11/2008	Hollner				
D580,884 S	11/2008	Hollner				
D585,840 S	2/2009	Hollner				
D585,841 S	2/2009	Hollner				
D586,760 S	2/2009	Hollner et al.				
D588,070 S	3/2009	Hollner et al.				
D588,071 S	3/2009	Hollner et al.				
D588,072 S	3/2009	Hollner et al.				
D588,073 S	3/2009	Hollner et al.				
D588,074 S	3/2009	Hollner				
D588,075 S	3/2009	Hollner				
D588,553 S	3/2009	Hollner et al.				
D595,663 S	7/2009	Hollner				
D595,665 S	7/2009	Hollner				
D595,666 S	7/2009	Hollner				
D596,140 S	7/2009	Hollner				
7,609,007 B1	10/2009	Kumar				
D604,743 S	11/2009	Altonen et al.				
D612,400 S	3/2010	Altonen et al.				
D613,305 S	4/2010	Altonen et al.				
7,714,790 B1	5/2010	Feldstein				
7,796,057 B2	9/2010	Swatsky et al.				
D624,881 S	10/2010	Altonen et al.				
D624,882 S	10/2010	Altonen et al.				
D625,273 S	10/2010	Felegy et al.				
D633,448 S	3/2011	Biery et al.				
D633,874 S	3/2011	Feldstein				
D636,738 S	4/2011	Feldstein				
7,928,663 B1	4/2011	Kumar				
7,928,917 B1	4/2011	Feldstein				
D651,571 S	1/2012	Feldstein				
D651,572 S	1/2012	Feldstein				
D651,573 S	1/2012	Feldstein				
D651,574 S	1/2012	Feldstein				
D651,575 S	1/2012	Feldstein				
D651,576 S	1/2012	Feldstein				
D651,577 S	1/2012	Feldstein				
D651,578 S	1/2012	Feldstein				
D651,579 S	1/2012	Feldstein				
D651,580 S	1/2012	Feldstein				
D651,983 S	1/2012	Feldstein				
D651,984 S	1/2012	Feldstein				
D651,985 S	1/2012	Feldstein				
D651,986 S	1/2012	Feldstein				
D652,805 S	1/2012	Feldstein				
D652,806 S	1/2012	Feldstein				
D653,220 S	1/2012	Feldstein				
8,089,414 B2	1/2012	Feldstein				
8,102,375 B1	1/2012	Feldstein				
D657,319 S	4/2012	Feldstein				
8,149,591 B2	4/2012	Feldstein				

OTHER PUBLICATIONS

Crestron Electronics, Inc., Cameo Keypads Operations and Installation Guide, Feb. 2006, pp. front, cover, i, 1-8, rear cover.  
Exhibit A—*Lutron Electronics v. Crestron Electronics CV 2:09-cv-07*, Third Amended Complaint.

\* cited by examiner

Primary Examiner — Selina Sikder  
(74) Attorney, Agent, or Firm — Crestron Electronics Inc.

(57) CLAIM

The ornamental design for a wall mounted button panel, as shown and described.

DESCRIPTION

FIG. 1 shows a front elevational view of an embodiment of a wall mounted button panel, with elements in dashed lines forming no part of the claimed design.  
FIG. 2 shows an isometric projection of the wall mounted button panel of FIG. 1, with elements in dashed lines forming no part of the claimed design.  
FIG. 3 shows a left side elevational view of the wall mounted button panel of FIG. 1, with elements in dashed lines forming no part of the claimed design.  
FIG. 4 shows a right side elevational view of the wall mounted button panel of FIG. 1, with elements in dashed lines forming no part of the claimed design.  
FIG. 5 shows a top plan view of the wall mounted button panel of FIG. 1, with elements in dashed lines forming no part of the claimed design.  
FIG. 6 shows a bottom plan view of the wall mounted button panel of FIG. 1, with elements in dashed lines forming no part of the claimed design.  
FIG. 7 shows a front elevational view of another embodiment of a wall mounted button panel, with elements in dashed lines forming no part of the claimed design.  
FIG. 8 shows an isometric projection of the wall mounted button panel of FIG. 7, with elements in dashed lines forming no part of the claimed design.



FIG. 9 shows a left side elevational view of the wall mounted button panel of FIG. 7, with elements in dashed lines forming no part of the claimed design.

FIG. 10 shows a right side elevational view of the wall mounted button panel of FIG. 7, with elements in dashed lines forming no part of the claimed design.

FIG. 11 shows a top plan view of the wall mounted button panel of FIG. 7, with elements in dashed lines forming no part of the claimed design.

FIG. 12 shows a bottom plan view of the wall mounted button panel of FIG. 7, with elements in dashed lines forming no part of the claimed design.

FIG. 13 shows a front elevational view of another embodiment of a wall mounted button panel, with elements in dashed lines forming no part of the claimed design.

FIG. 14 shows an isometric projection of the wall mounted button panel of FIG. 13, with elements in dashed lines forming no part of the claimed design.

FIG. 15 shows a left side elevational view of the wall mounted button panel of FIG. 13, with elements in dashed lines forming no part of the claimed design.

FIG. 16 shows a right side elevational view of the wall mounted button panel of FIG. 13, with elements in dashed lines forming no part of the claimed design.

FIG. 17 shows a top plan view of the wall mounted button panel of FIG. 13, with elements in dashed lines forming no part of the claimed design.

FIG. 18 shows a bottom plan view of the wall mounted button panel of FIG. 13, with elements in dashed lines forming no part of the claimed design.

FIG. 19 shows a front elevational view of another embodiment of a wall mounted button panel, with elements in dashed lines forming no part of the claimed design.

FIG. 20 shows an isometric projection of the wall mounted button panel of FIG. 19, with elements in dashed lines forming no part of the claimed design.

FIG. 21 shows a left side elevational view of the wall mounted button panel of FIG. 19, with elements in dashed lines forming no part of the claimed design.

FIG. 22 shows a right side elevational view of the wall mounted button panel of FIG. 19, with elements in dashed lines forming no part of the claimed design.

FIG. 23 shows a top plan view of the wall mounted button panel of FIG. 19, with elements in dashed lines forming no part of the claimed design; and,

FIG. 24 shows a bottom plan view of the wall mounted button panel of FIG. 19, with elements in dashed lines forming no part of the claimed design.

**1 Claim, 16 Drawing Sheets**

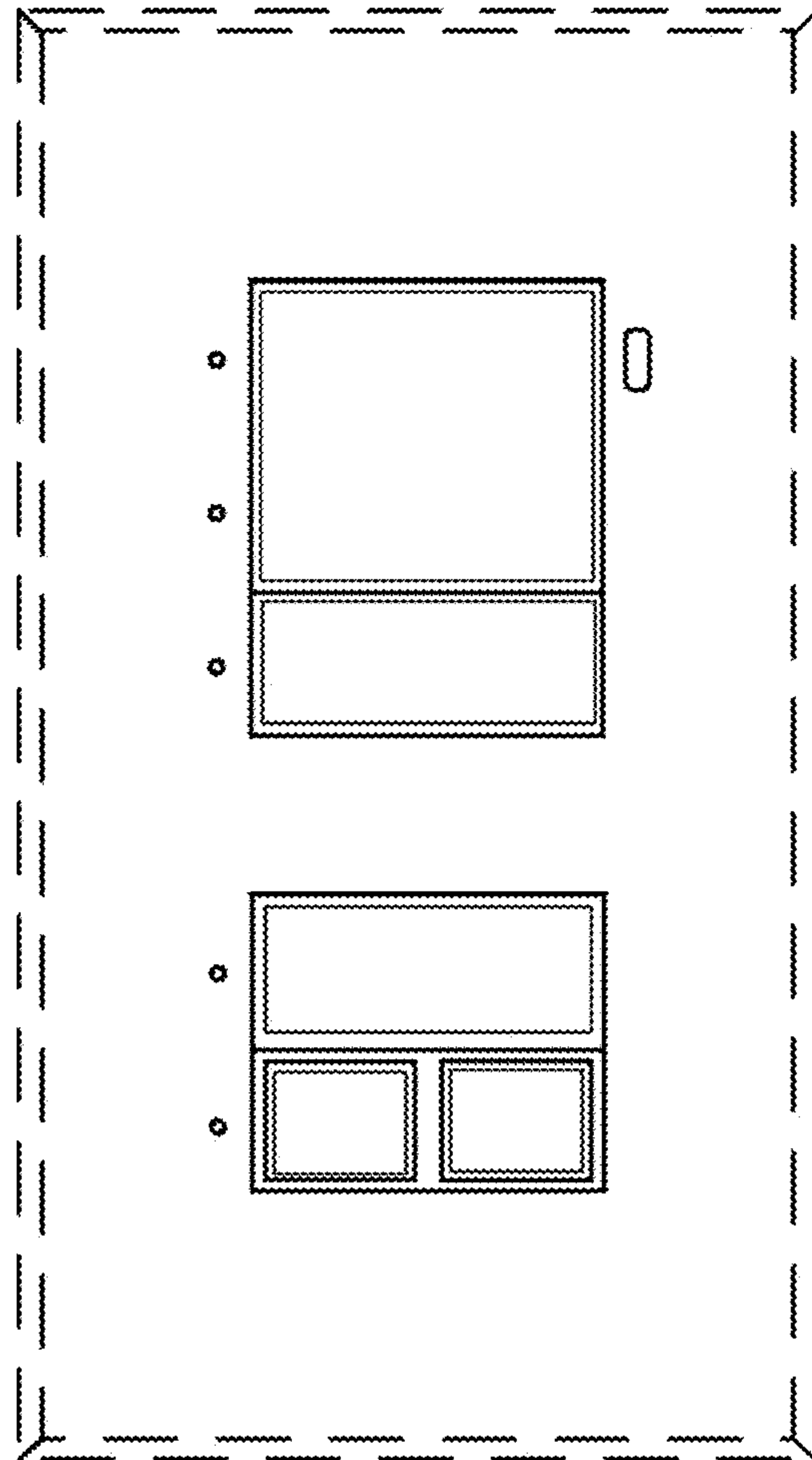


FIG. 1

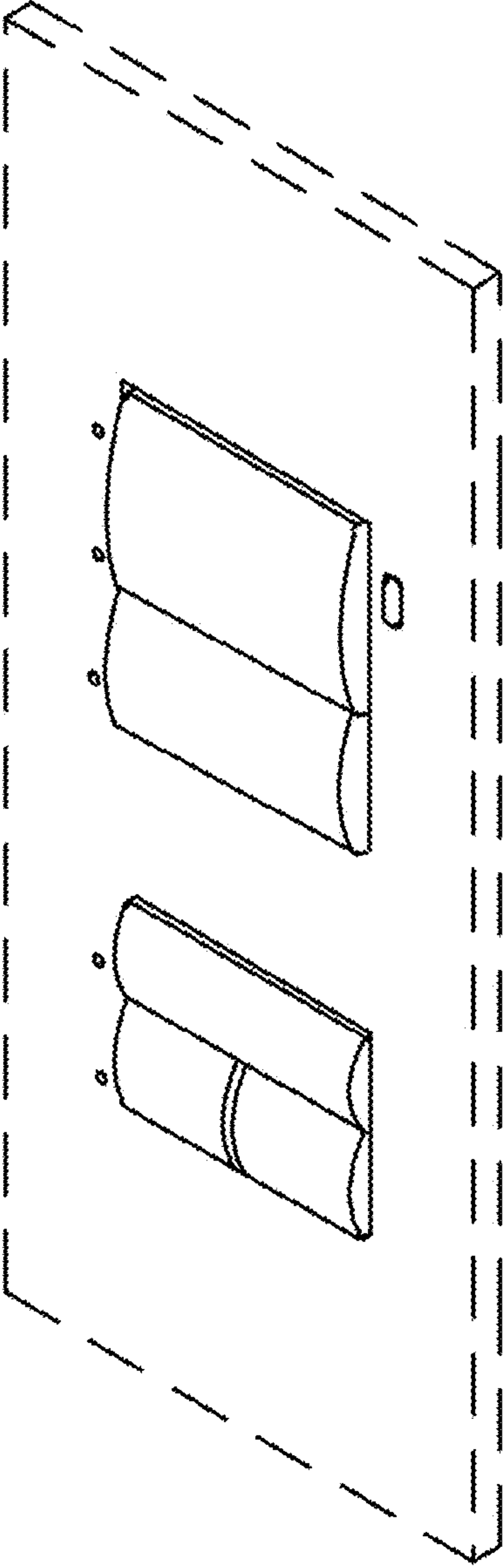


FIG. 2

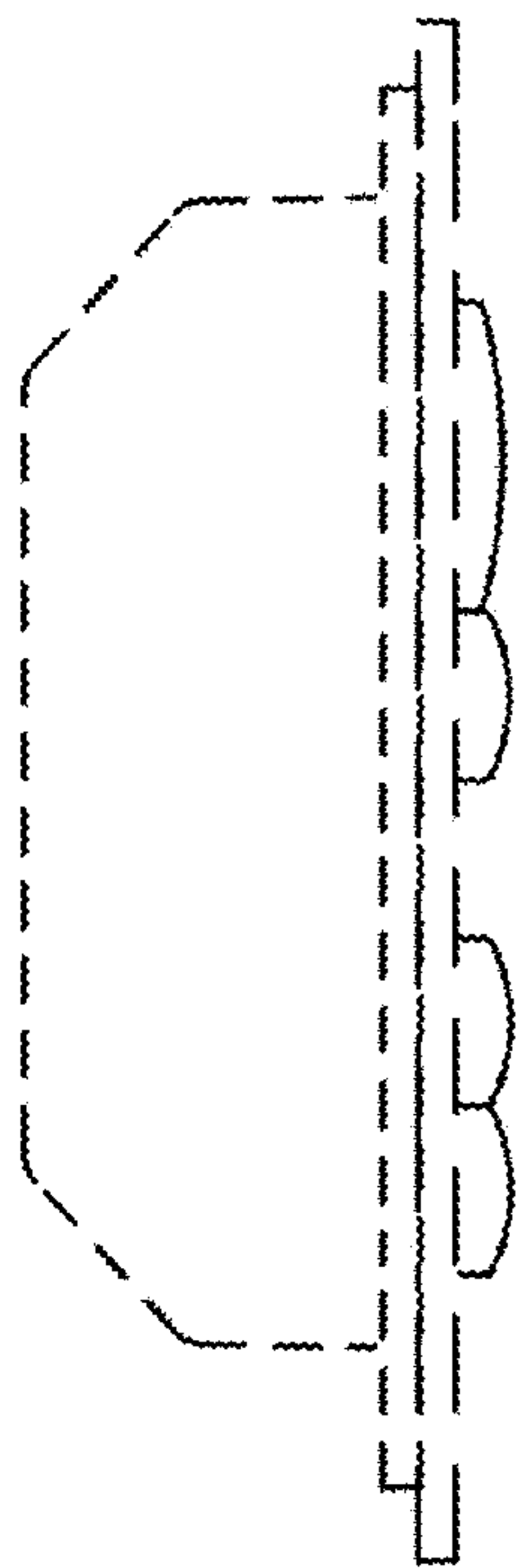


FIG. 3

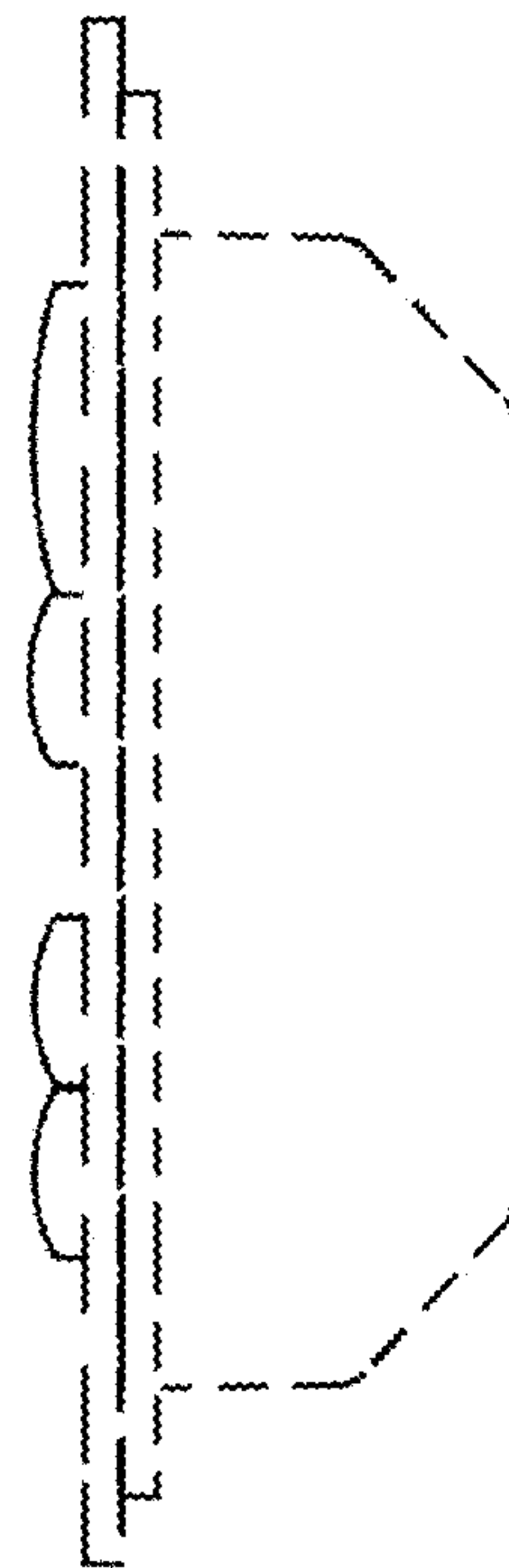


FIG. 4

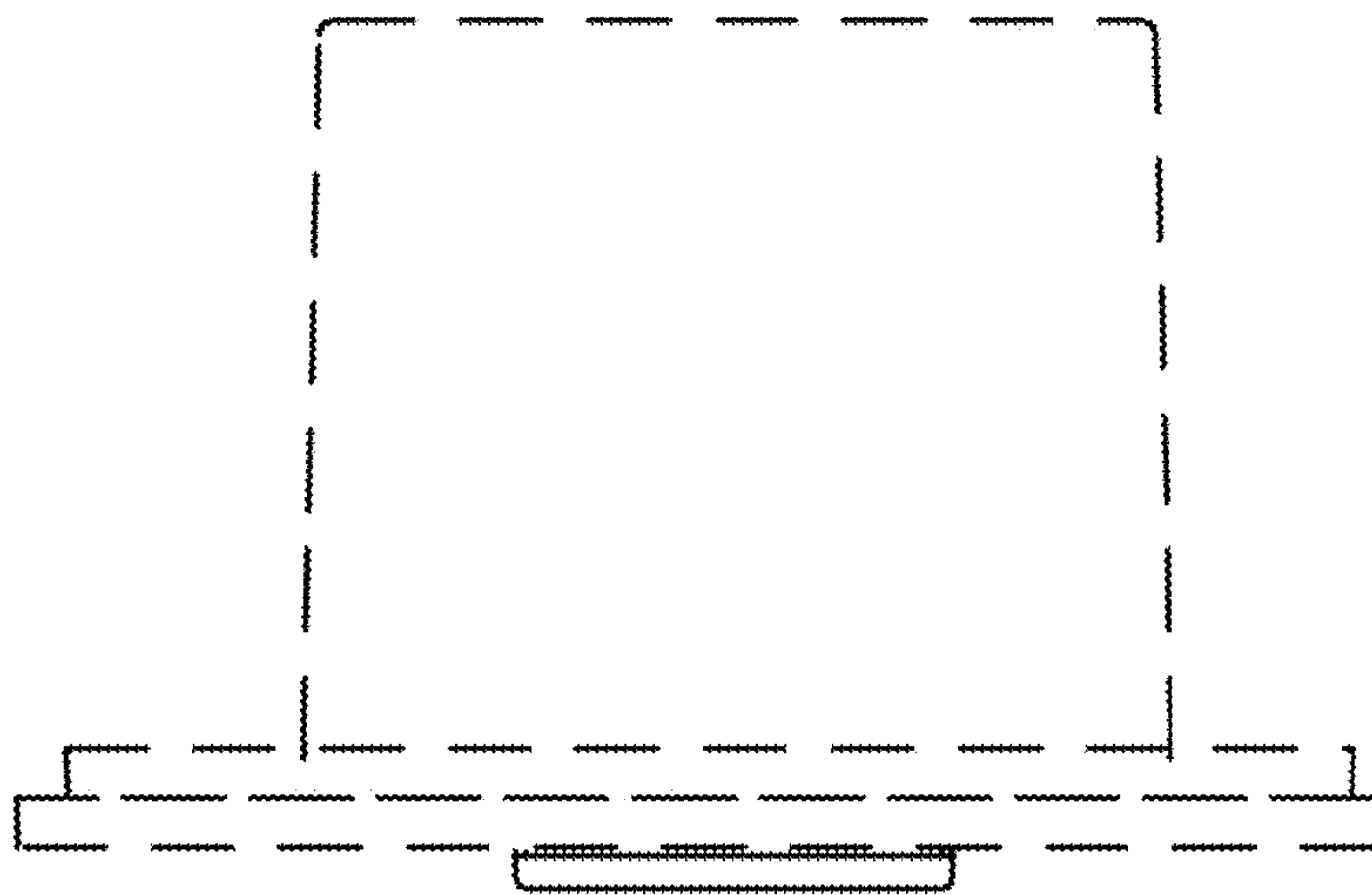


FIG. 5

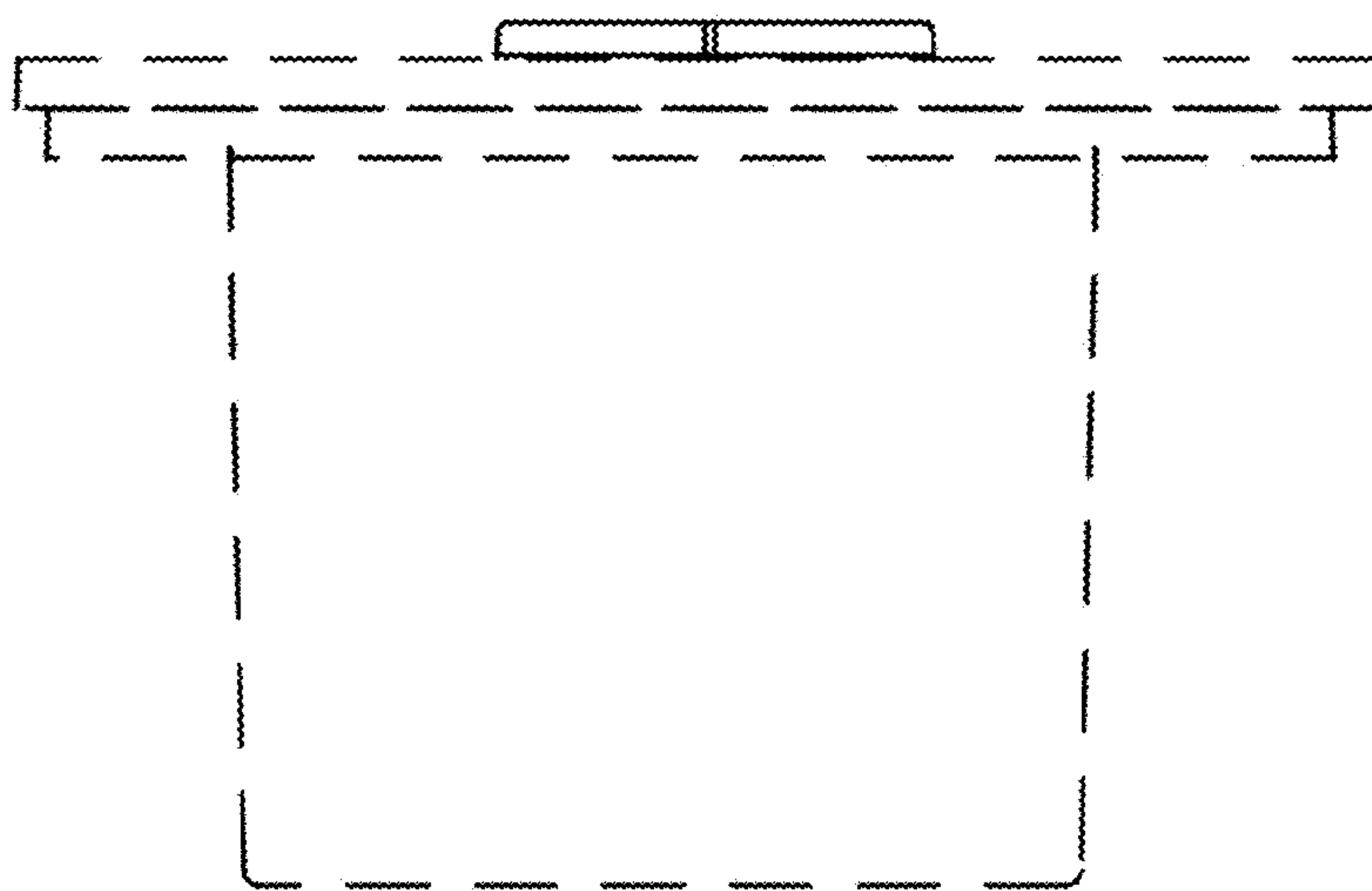


FIG. 6

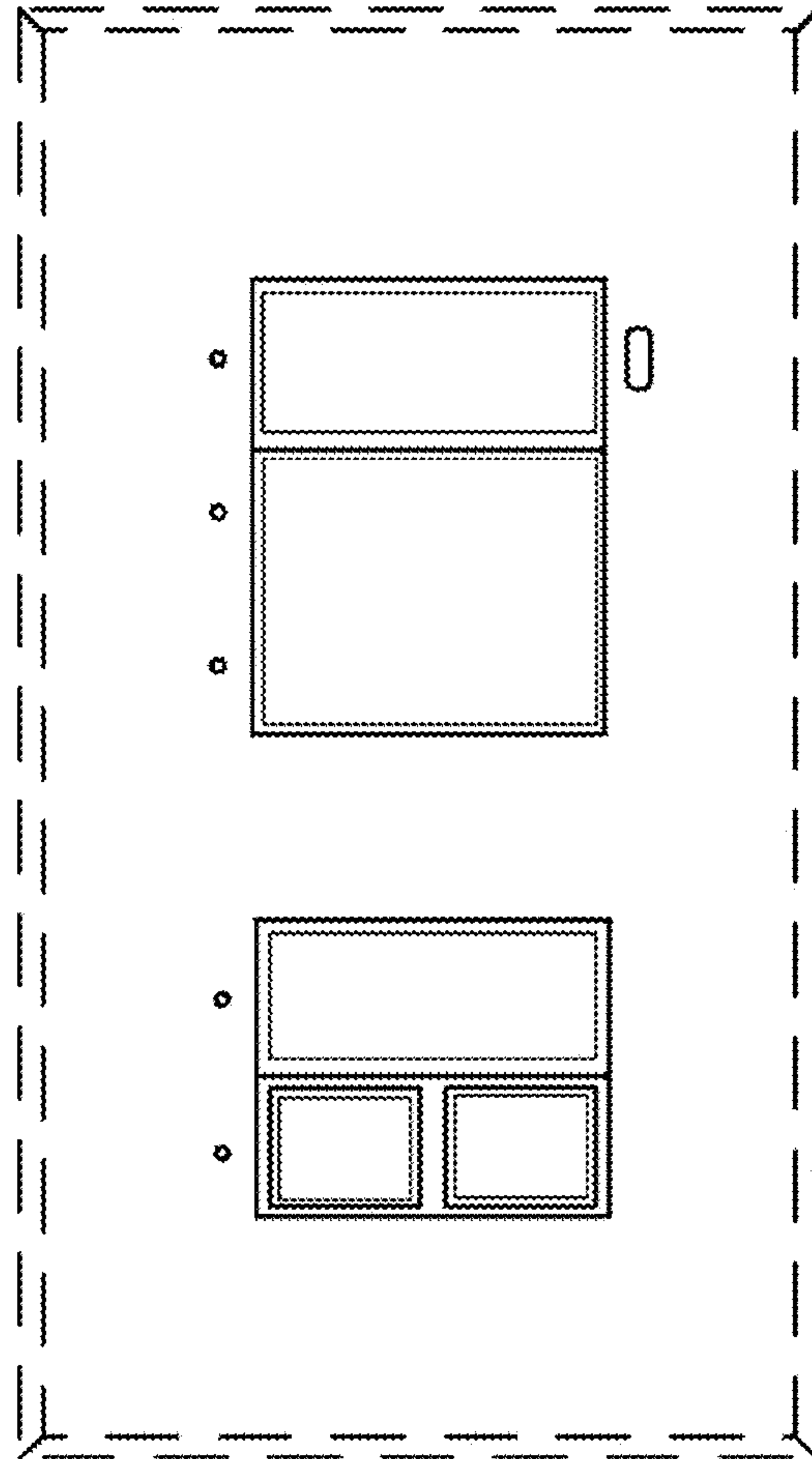


FIG. 7



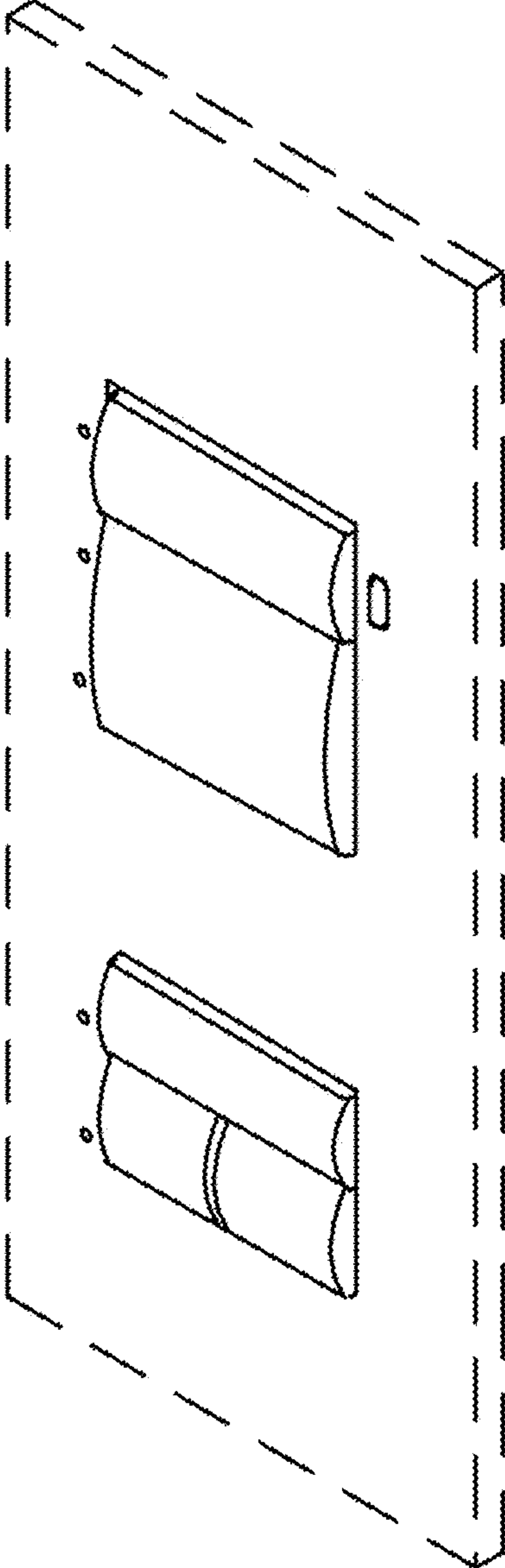


FIG. 8

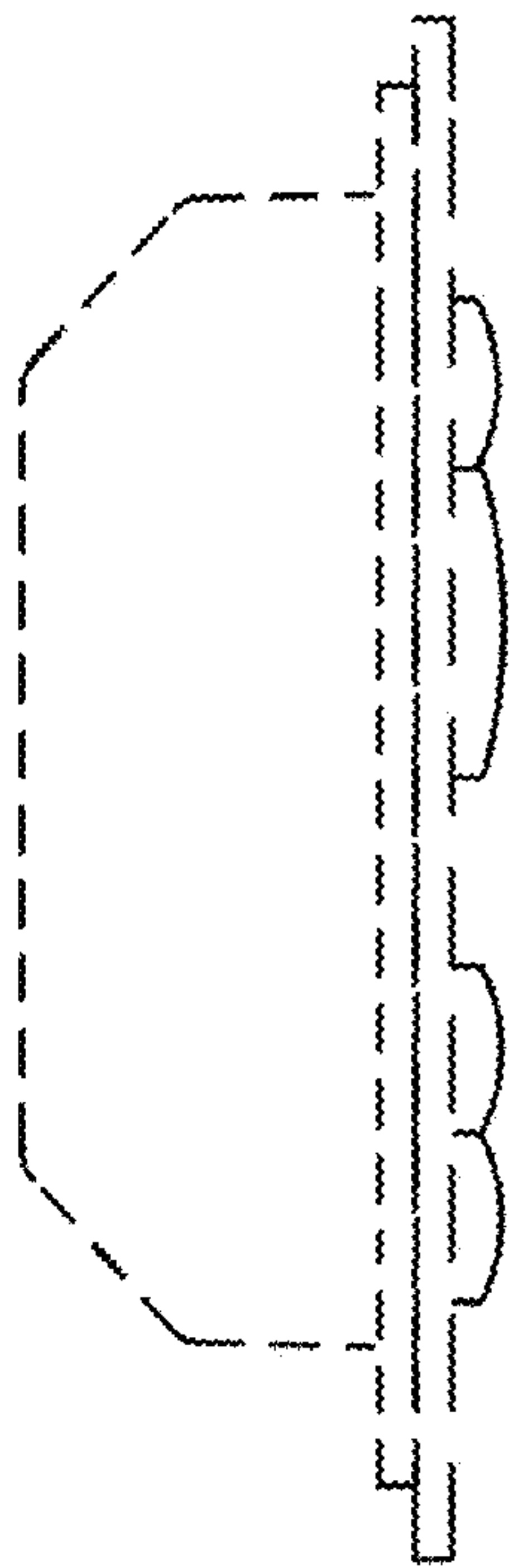


FIG. 9

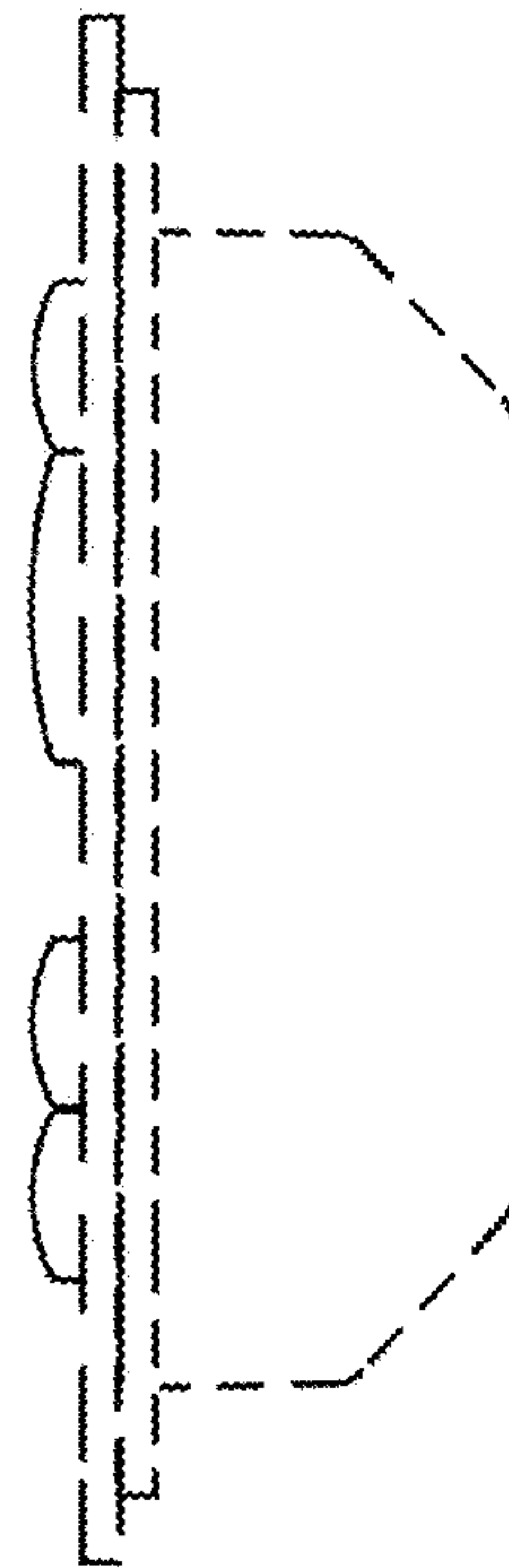


FIG. 10

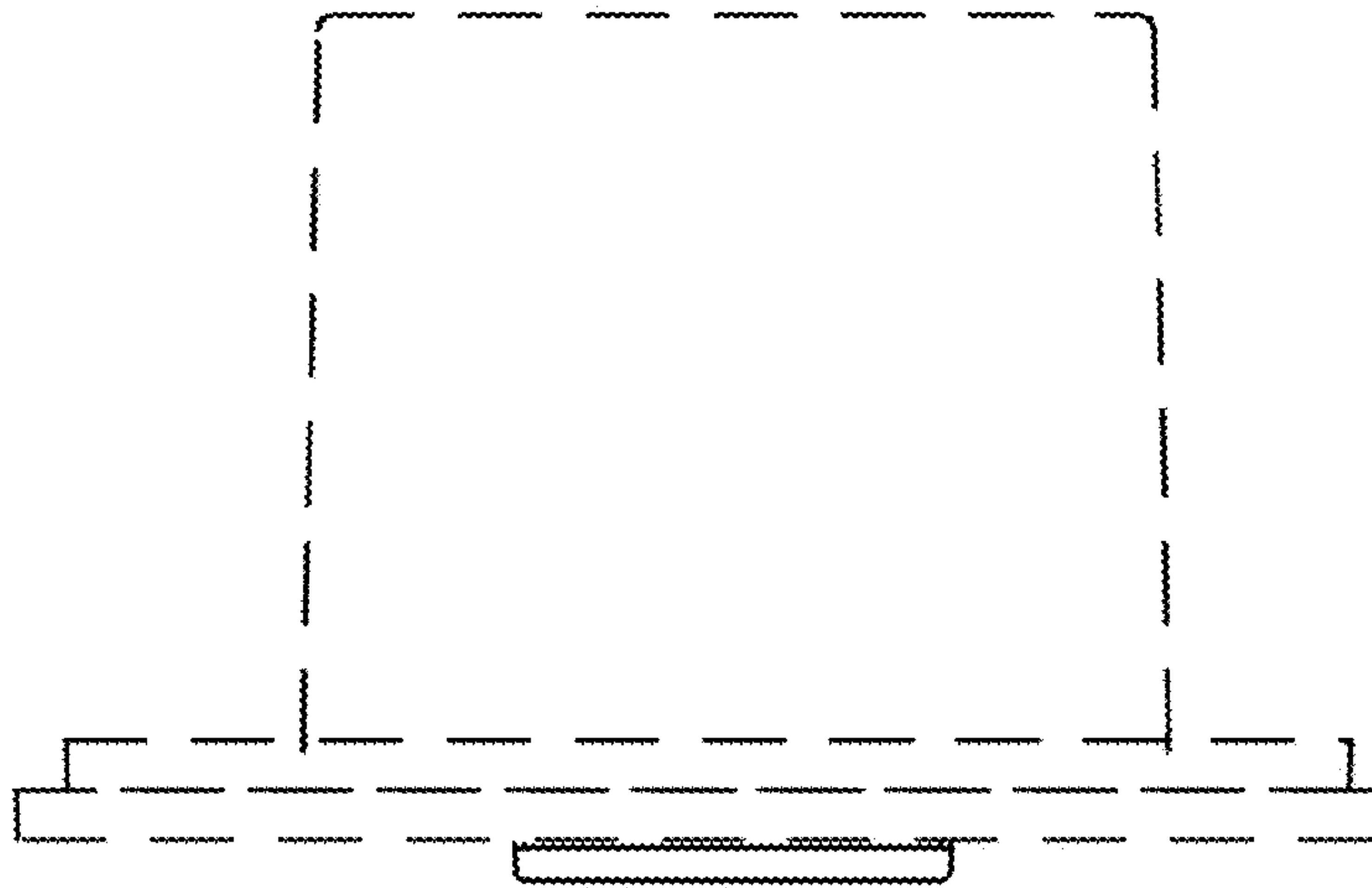


FIG. 11

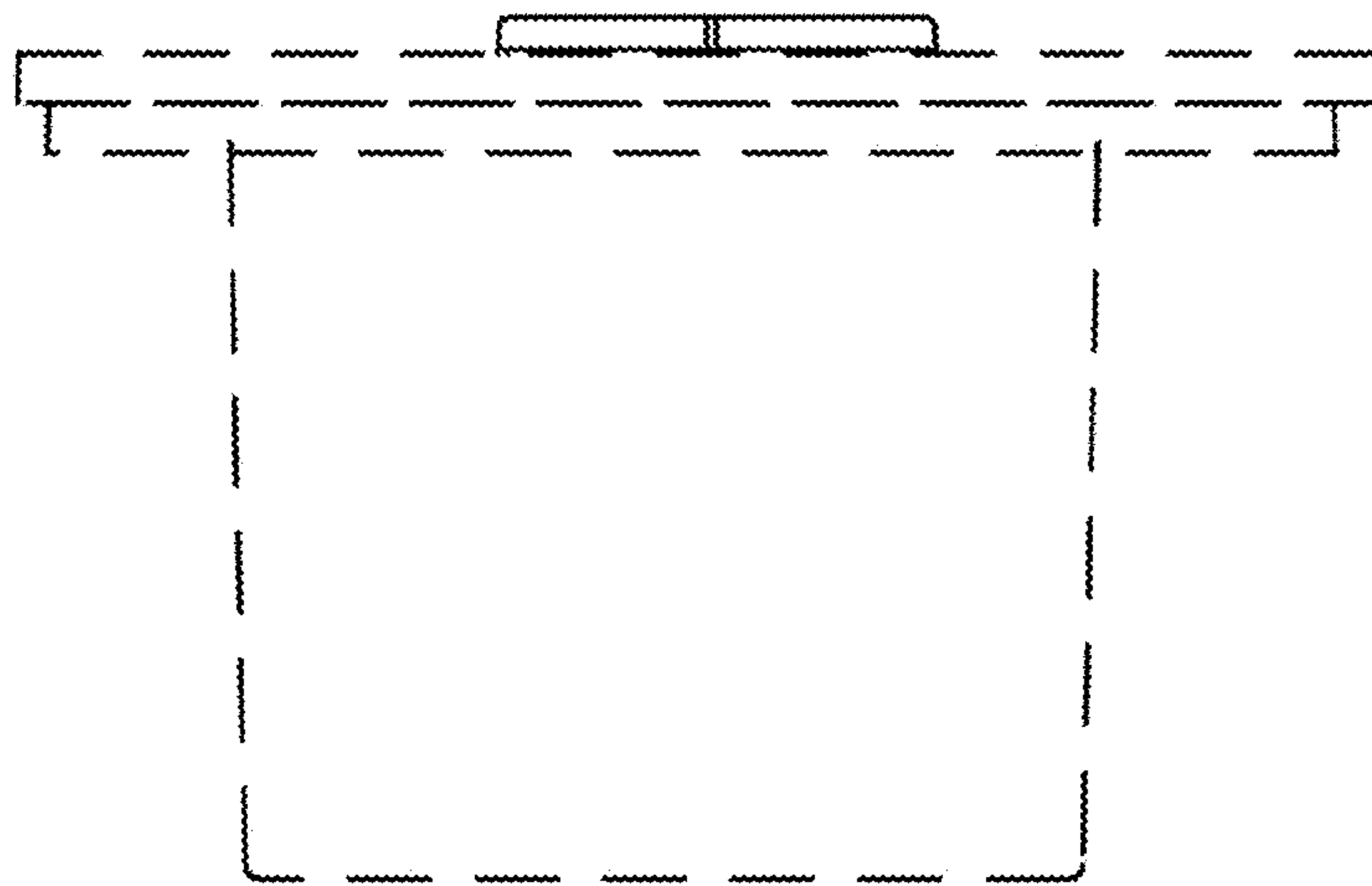


FIG. 12

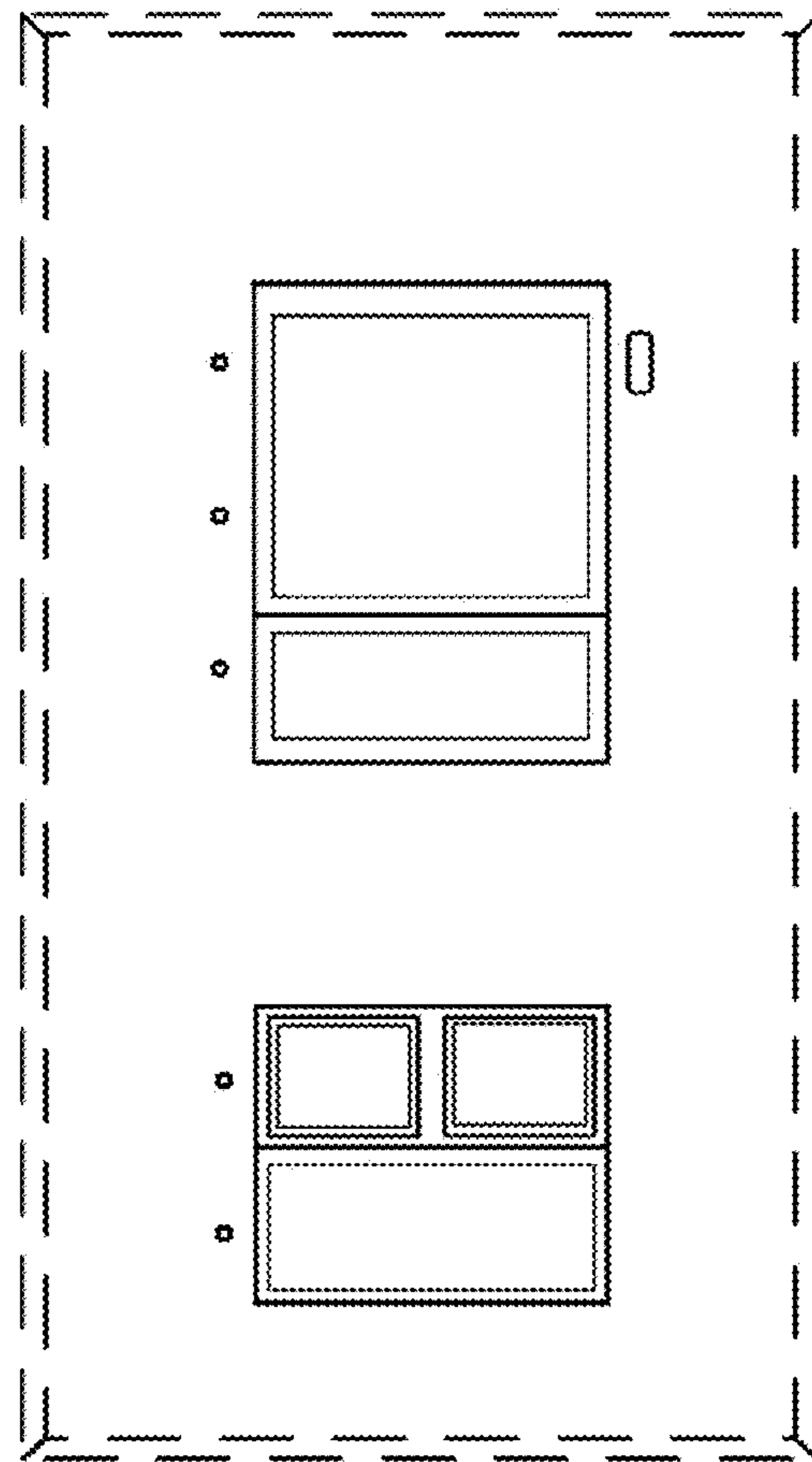


FIG. 13



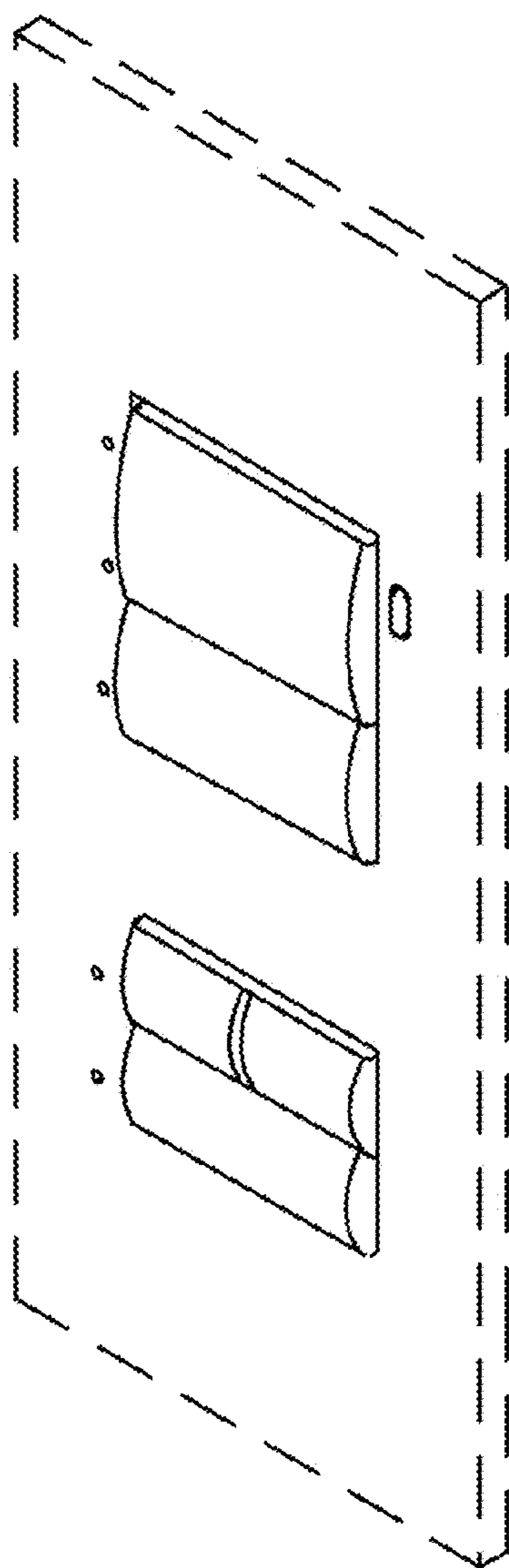


FIG. 14

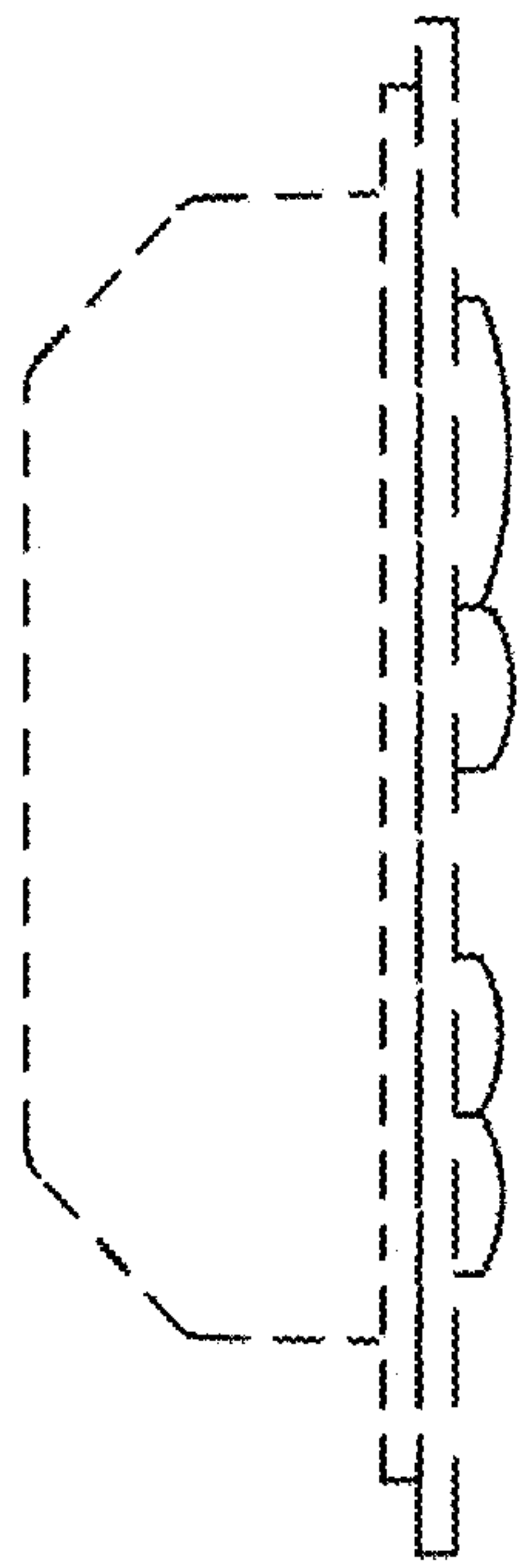


FIG. 15

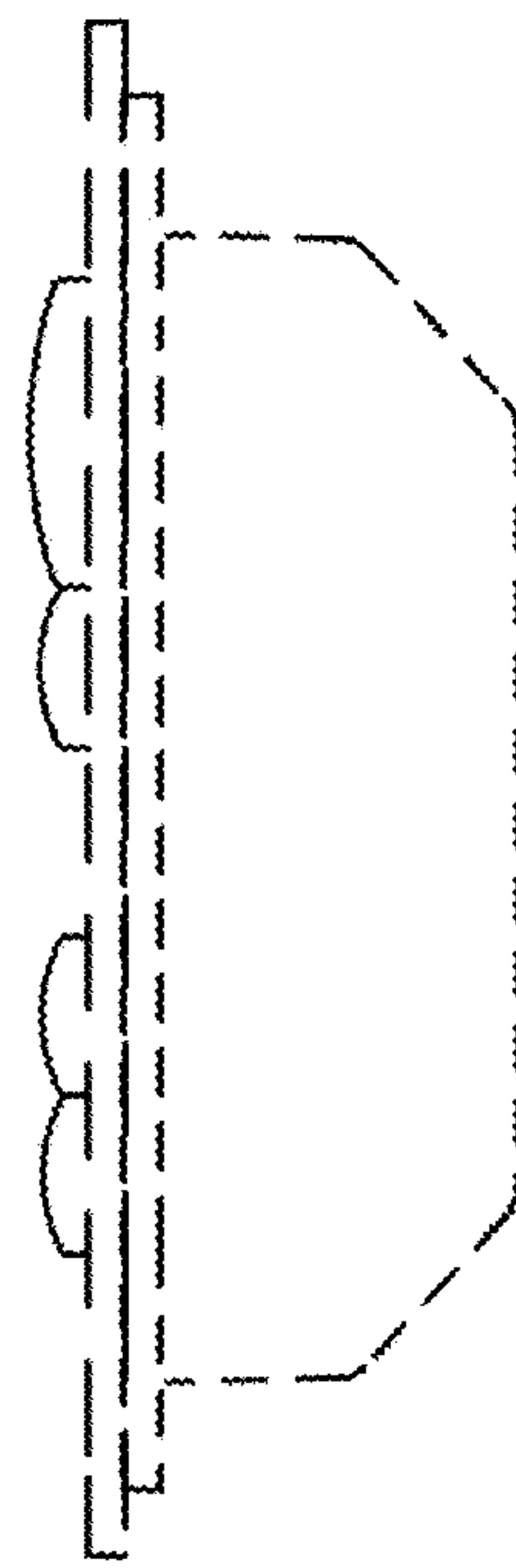


FIG. 16

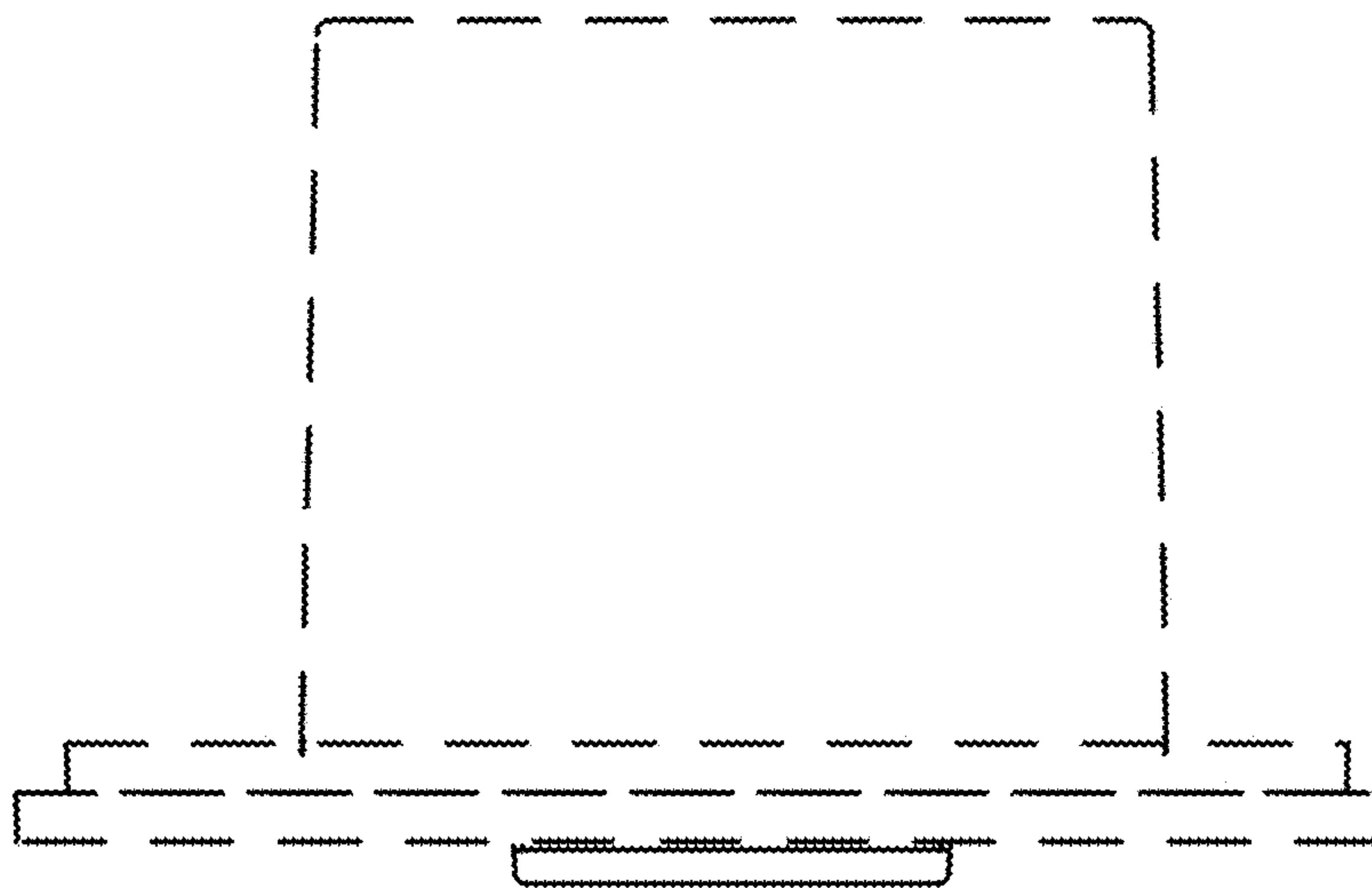


FIG. 17

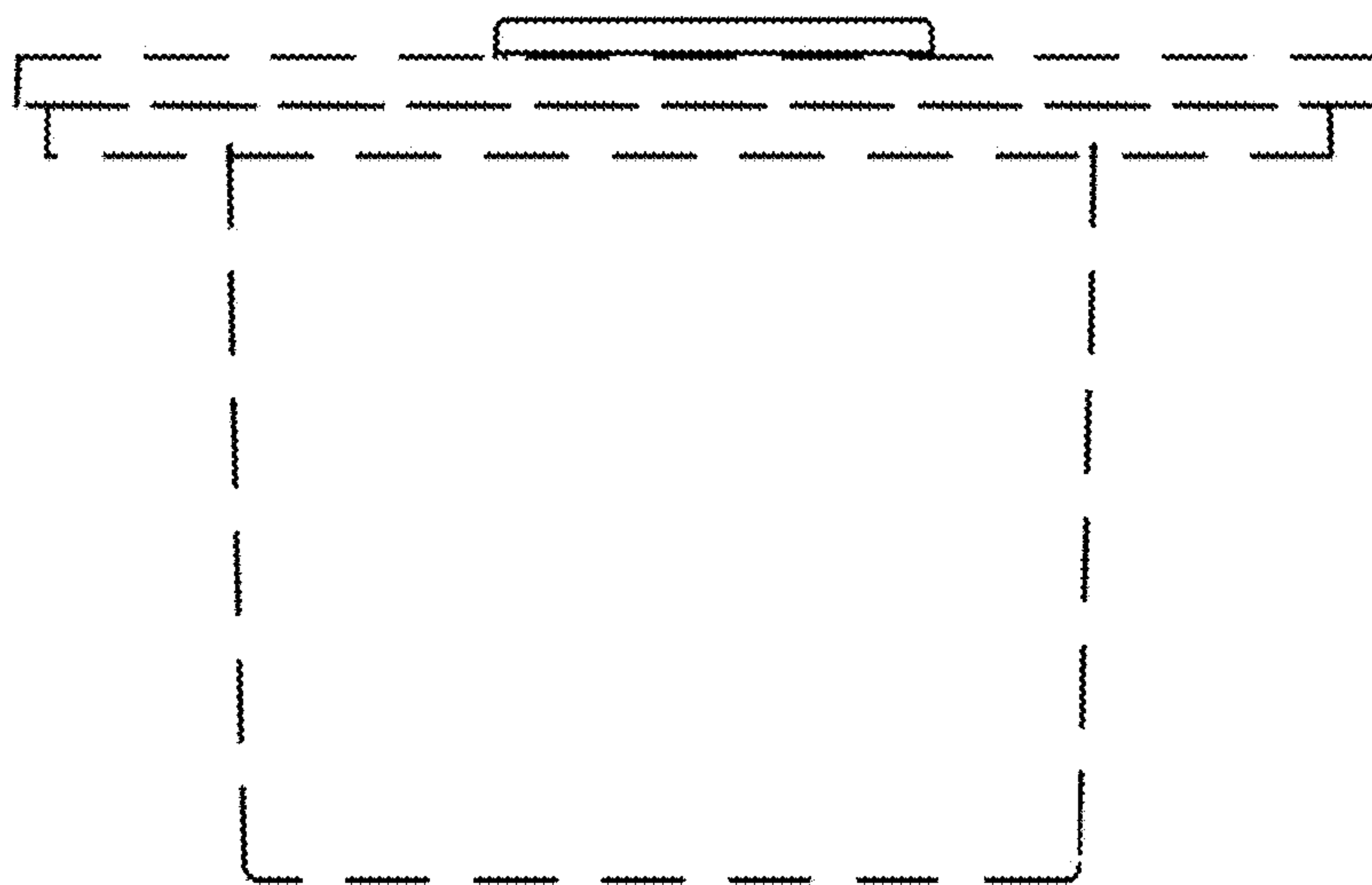


FIG. 18

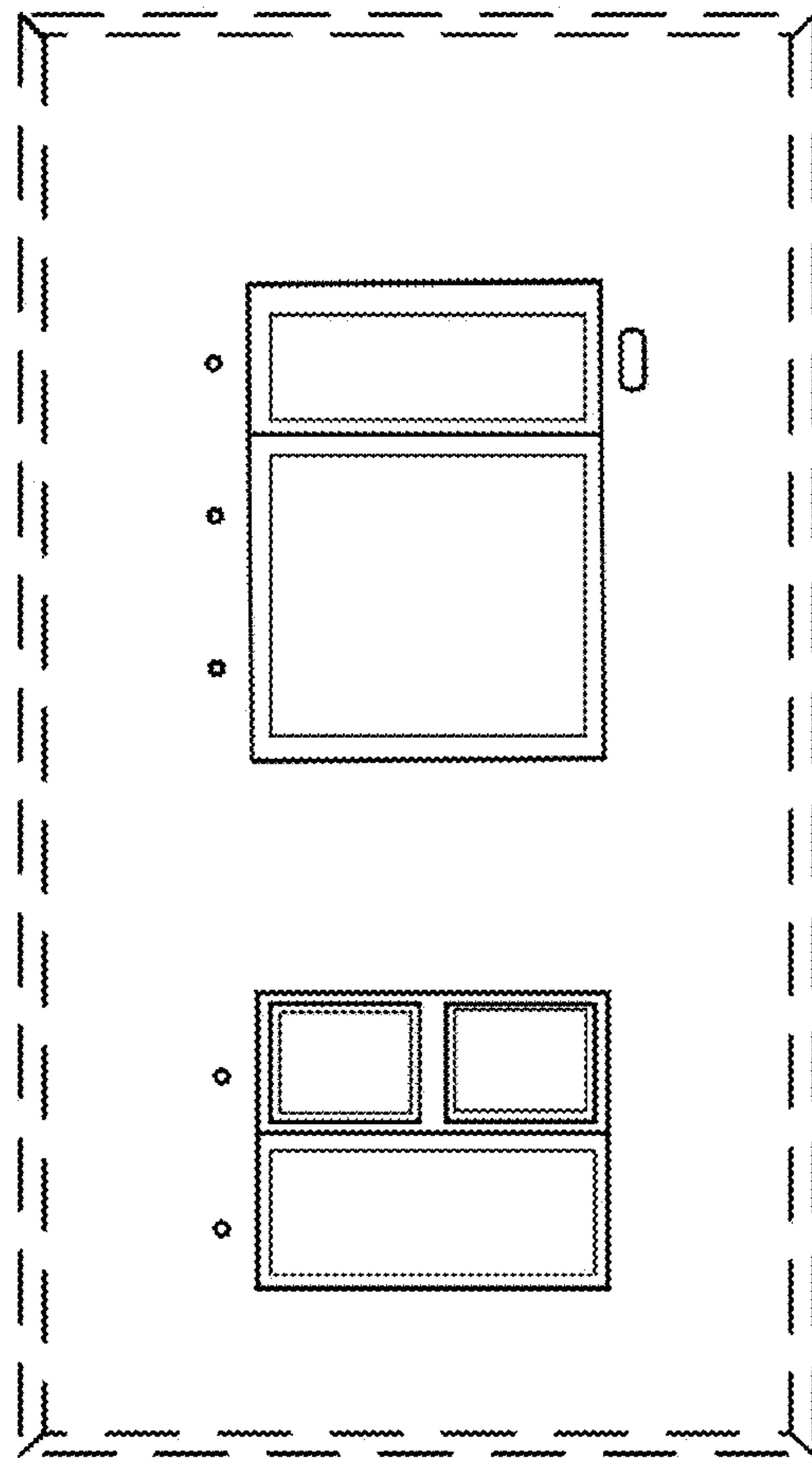


FIG. 19



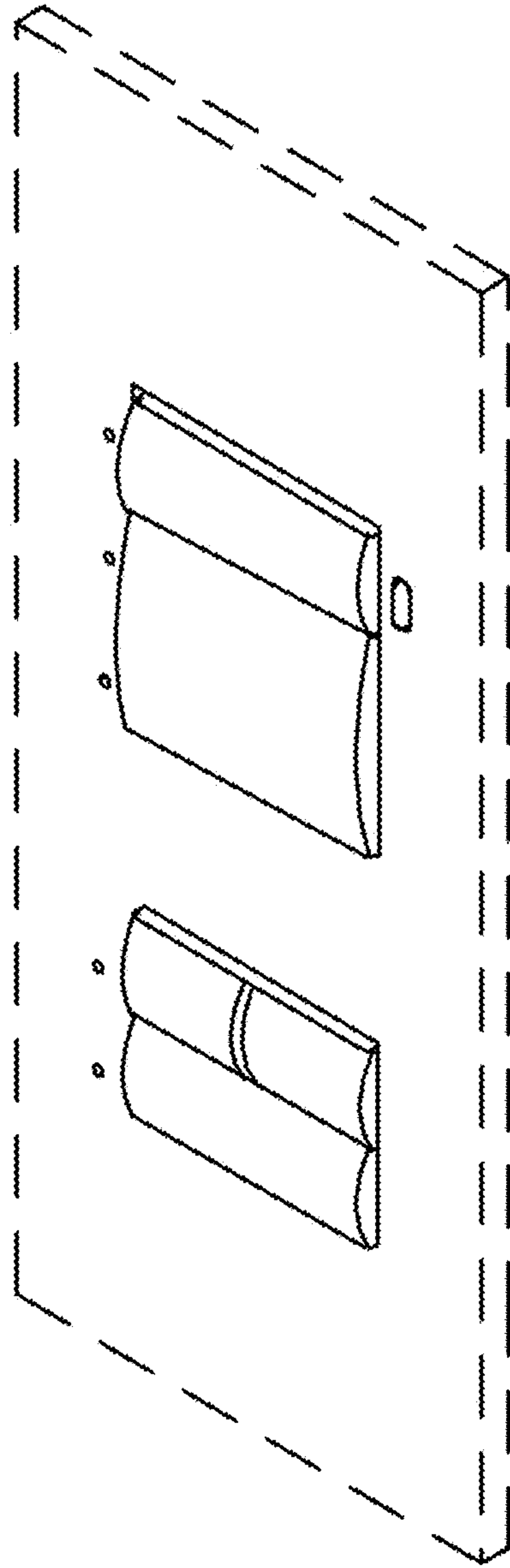


FIG. 20

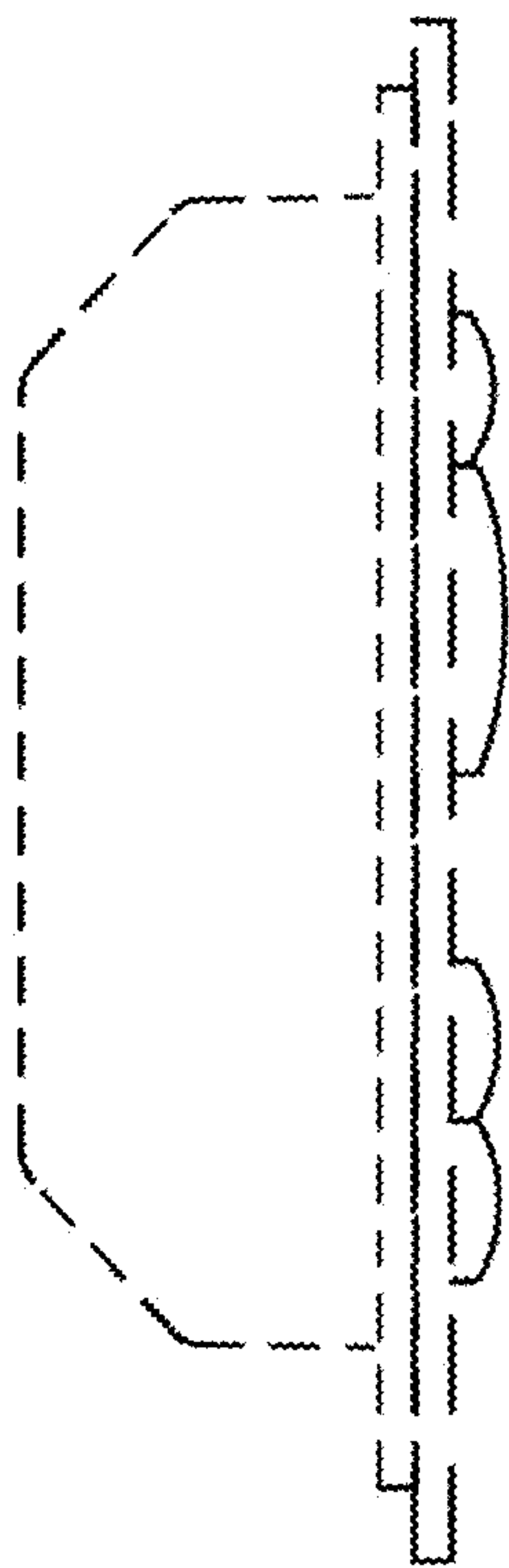


FIG. 21

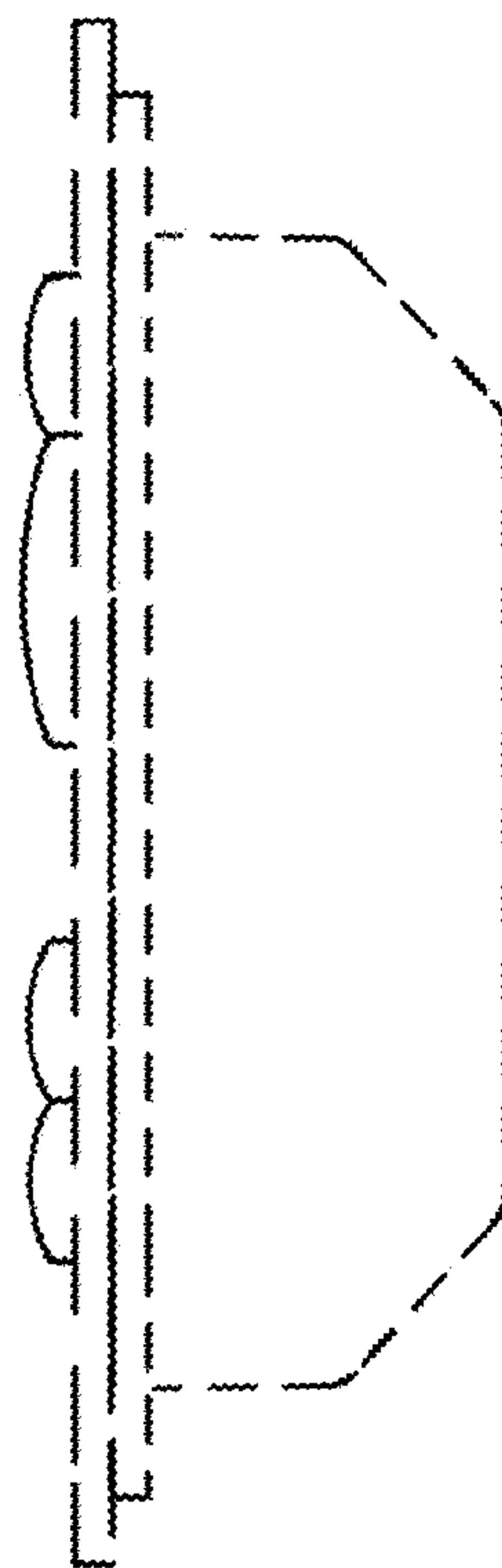


FIG. 22

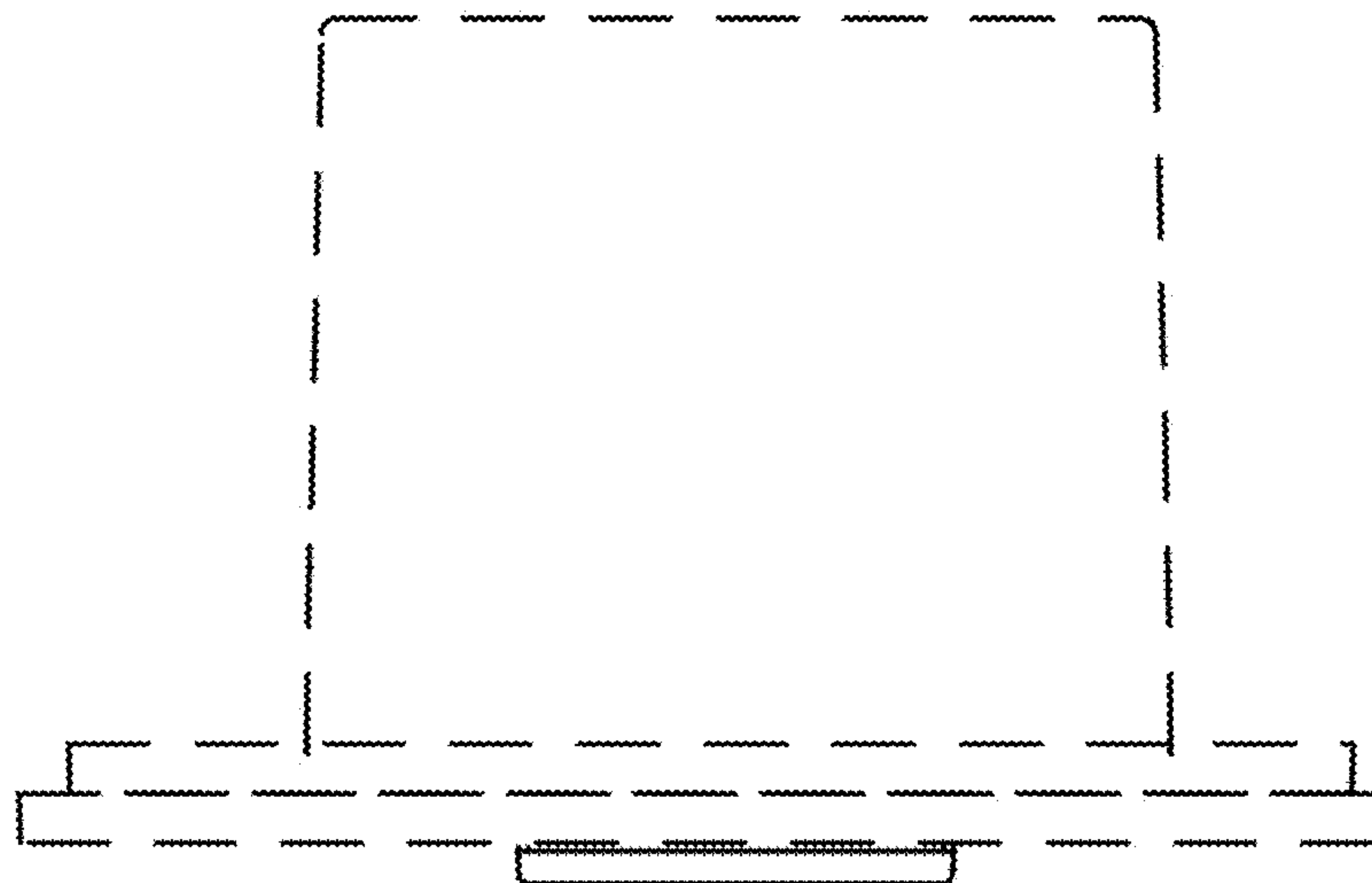


FIG. 23

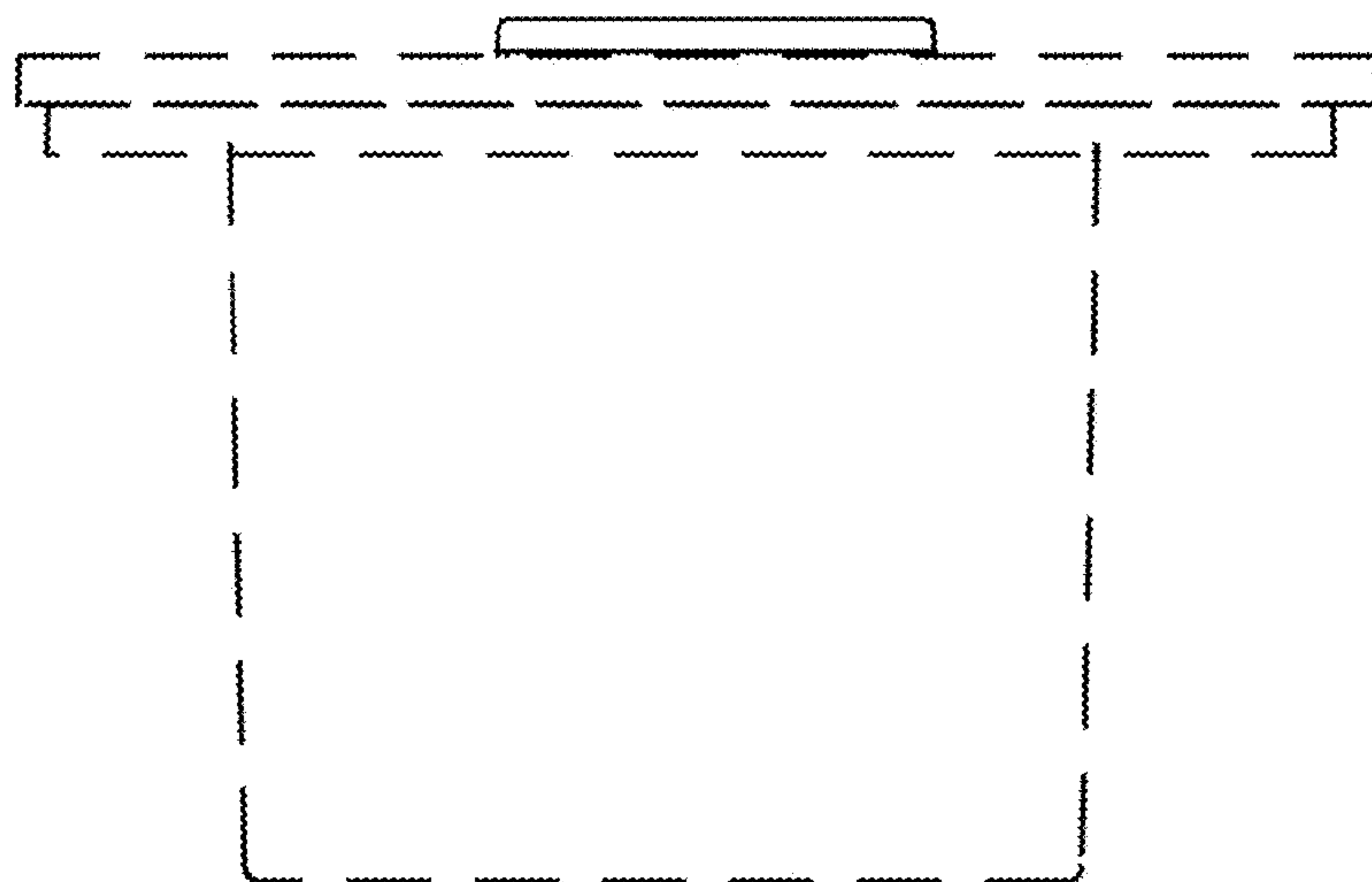


FIG. 24