

US00D702194S

(12) **United States Design Patent**  
**Cho**

(10) **Patent No.:** **US D702,194 S**

(45) **Date of Patent:** **\*\* Apr. 8, 2014**

(54) **CONTROL MODULE**

(71) Applicant: **Creative Technology Ltd**, Singapore (SG)

(72) Inventor: **Mei San Gigi Cho**, Singapore (SG)

(73) Assignee: **Creative Technology Ltd**, Singapore (SG)

(\*\*) Term: **14 Years**

(21) Appl. No.: **29/449,836**

(22) Filed: **Mar. 15, 2013**

(51) **LOC (10) Cl.** ..... **13-03**

(52) **U.S. Cl.**  
USPC ..... **D13/162**

(58) **Field of Classification Search**  
USPC ..... D13/162, 171; D14/217; 200/5 R, 5 A,  
200/302.2, 520, 530, 293, 296, 314, 329,  
200/341; 307/139; 338/198-200; 174/53,  
174/54; 361/600, 601, 679.01, 728, 729,  
361/730, 796; 700/715, 716  
See application file for complete search history.

(56) **References Cited**

**U.S. PATENT DOCUMENTS**

D259,721 S \* 6/1981 Pusch ..... D13/171  
D273,487 S \* 4/1984 Rosenbaum et al. .... D13/164

D440,206 S \* 4/2001 Carroll et al. .... D13/162  
D456,012 S \* 4/2002 Pratt ..... D13/171  
D463,401 S \* 9/2002 Miyazaki ..... D14/217  
D515,038 S \* 2/2006 Riley ..... D13/162  
D564,974 S \* 3/2008 Berg et al. .... D13/164  
D574,334 S \* 8/2008 Bonnaud ..... D13/165  
D603,345 S \* 11/2009 Melzner et al. .... D13/162  
D603,350 S \* 11/2009 Melzner et al. .... D13/164  
D623,147 S \* 9/2010 Franc et al. .... D13/162  
D624,028 S \* 9/2010 Stamate et al. .... D13/168

\* cited by examiner

*Primary Examiner* — Selina Sikder

(74) *Attorney, Agent, or Firm* — Creative Technology Ltd

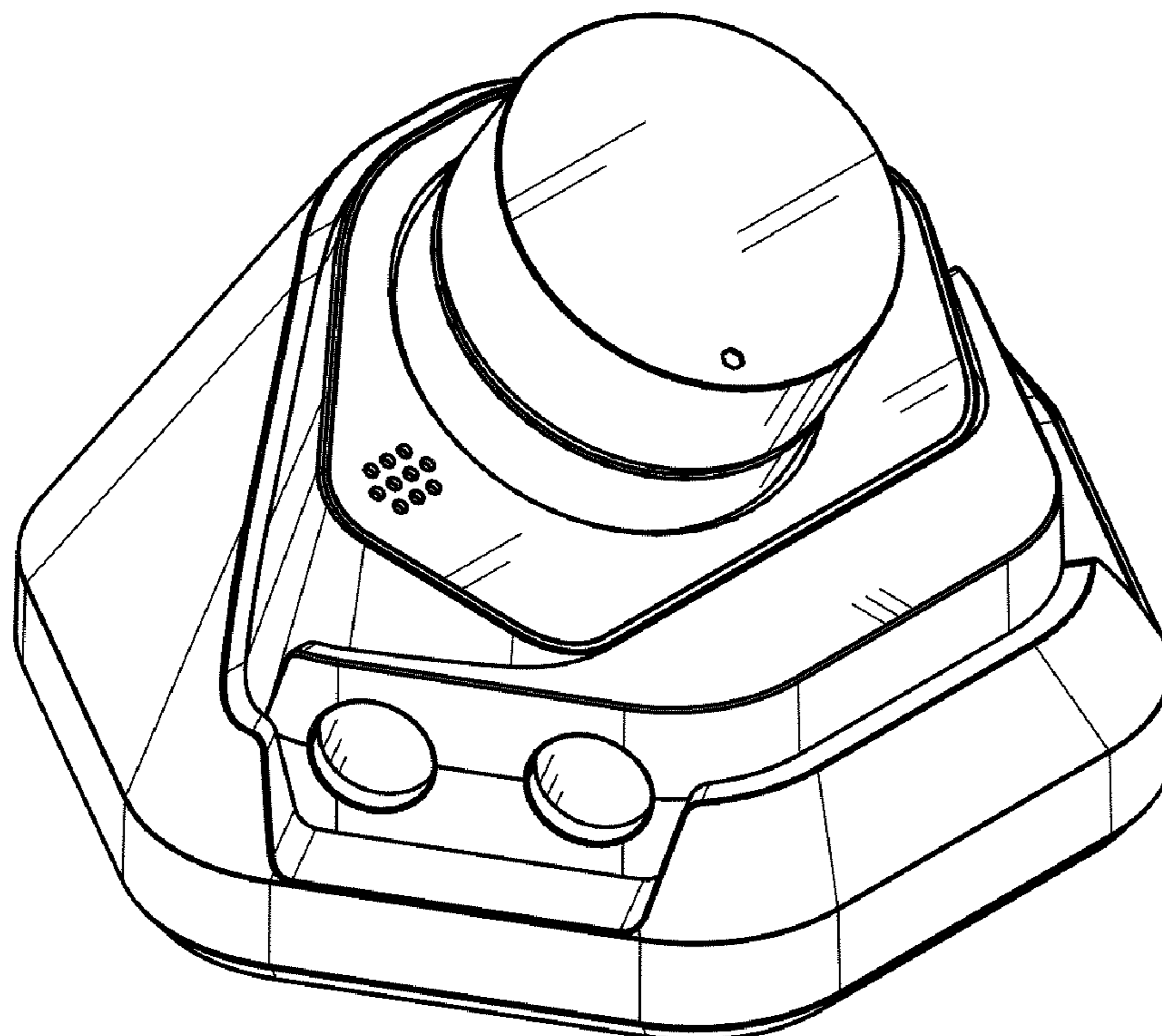
(57) **CLAIM**

The ornamental design for a control module, substantially as shown and described.

**DESCRIPTION**

FIG. 1 is a front top left side perspective view of a control module showing our new design;  
FIG. 2 is a rear top right side perspective view thereof;  
FIG. 3 is a front elevational view thereof;  
FIG. 4 is a rear elevational view thereof;  
FIG. 5 is left side elevational view thereof;  
FIG. 6 is a right side elevational view thereof;  
FIG. 7 is a top plan view thereof; and,  
FIG. 8 is a bottom plan view thereof.

**1 Claim, 4 Drawing Sheets**



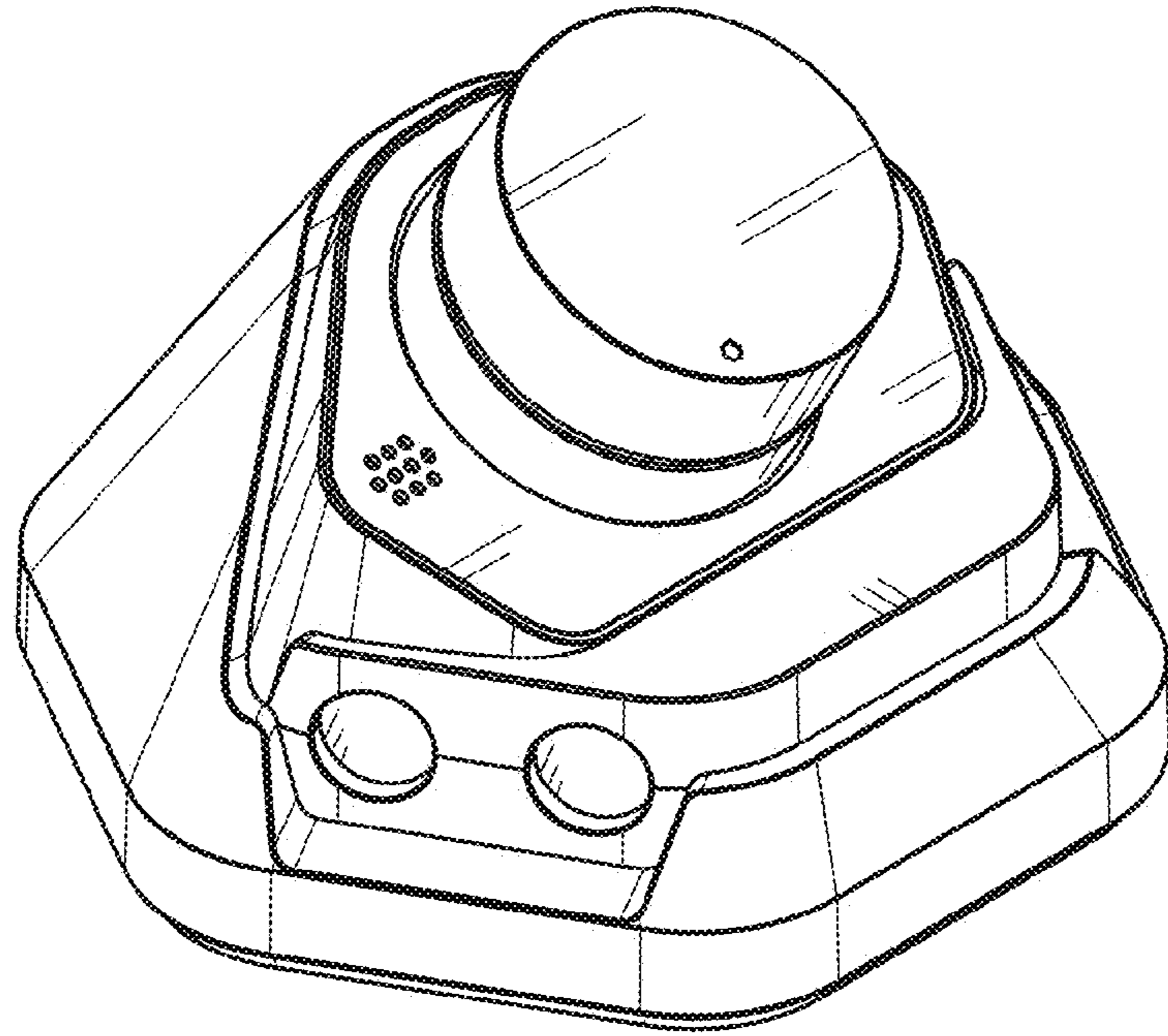


FIG. 1

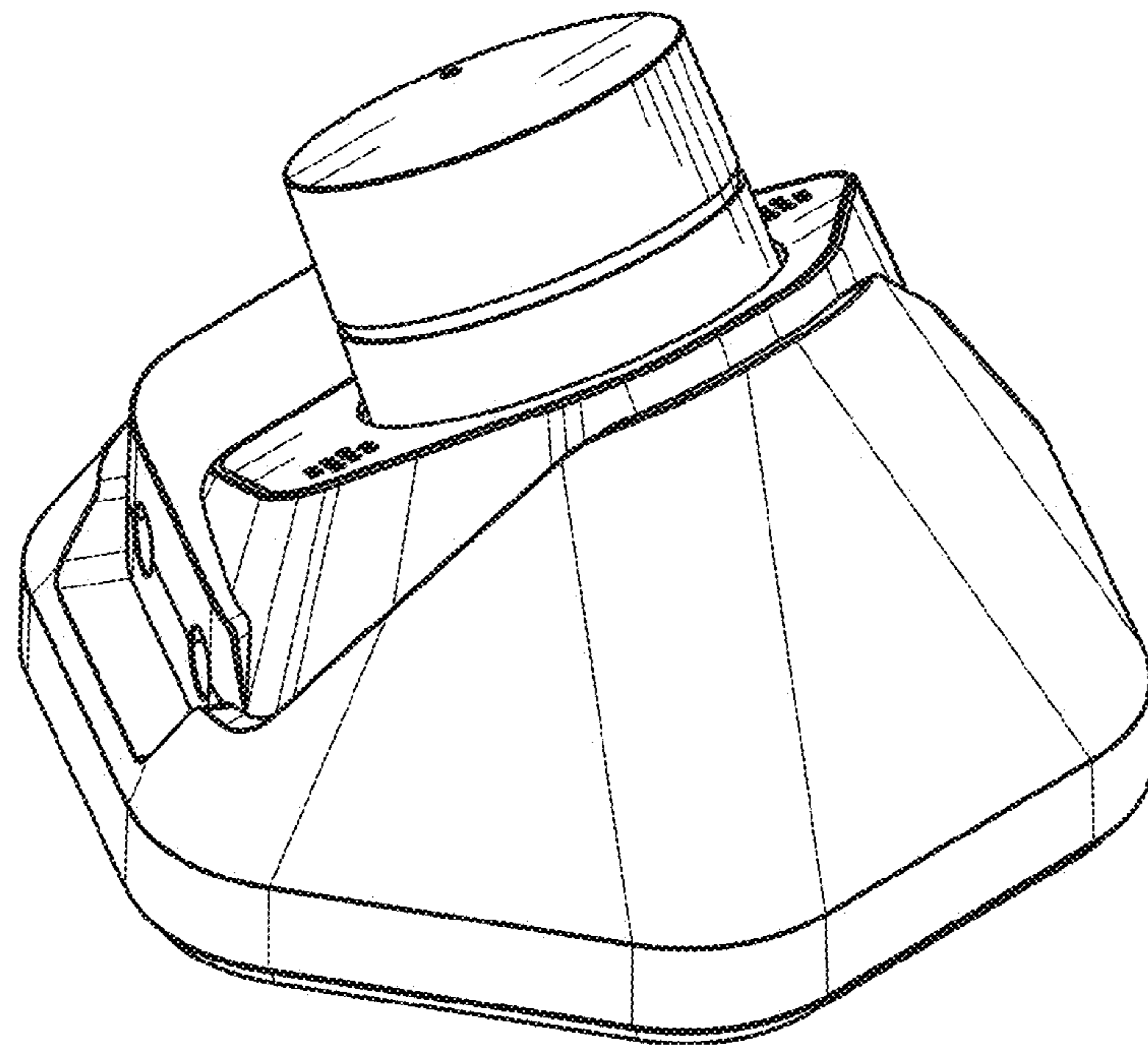


FIG. 2

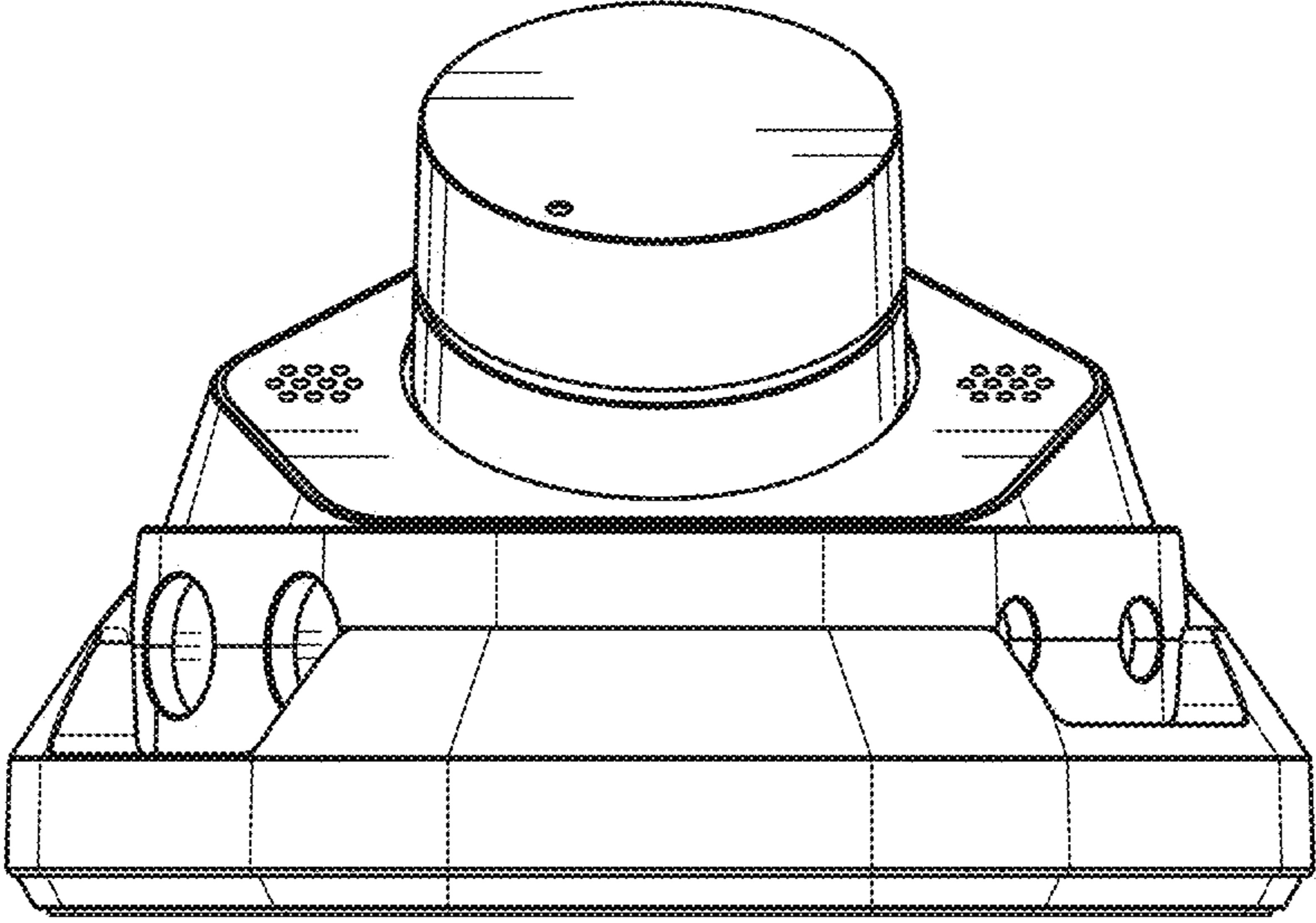


FIG. 3

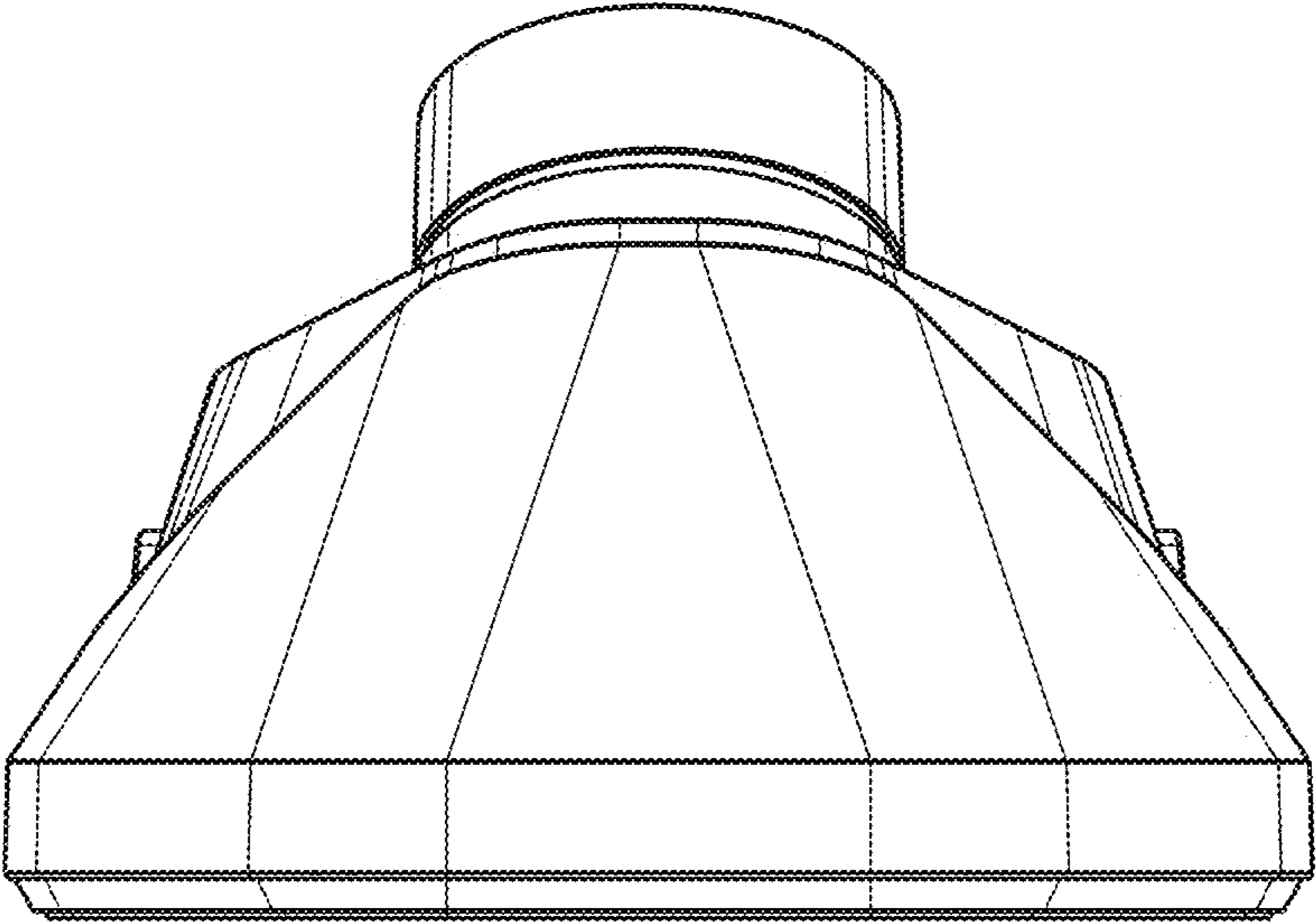


FIG. 4

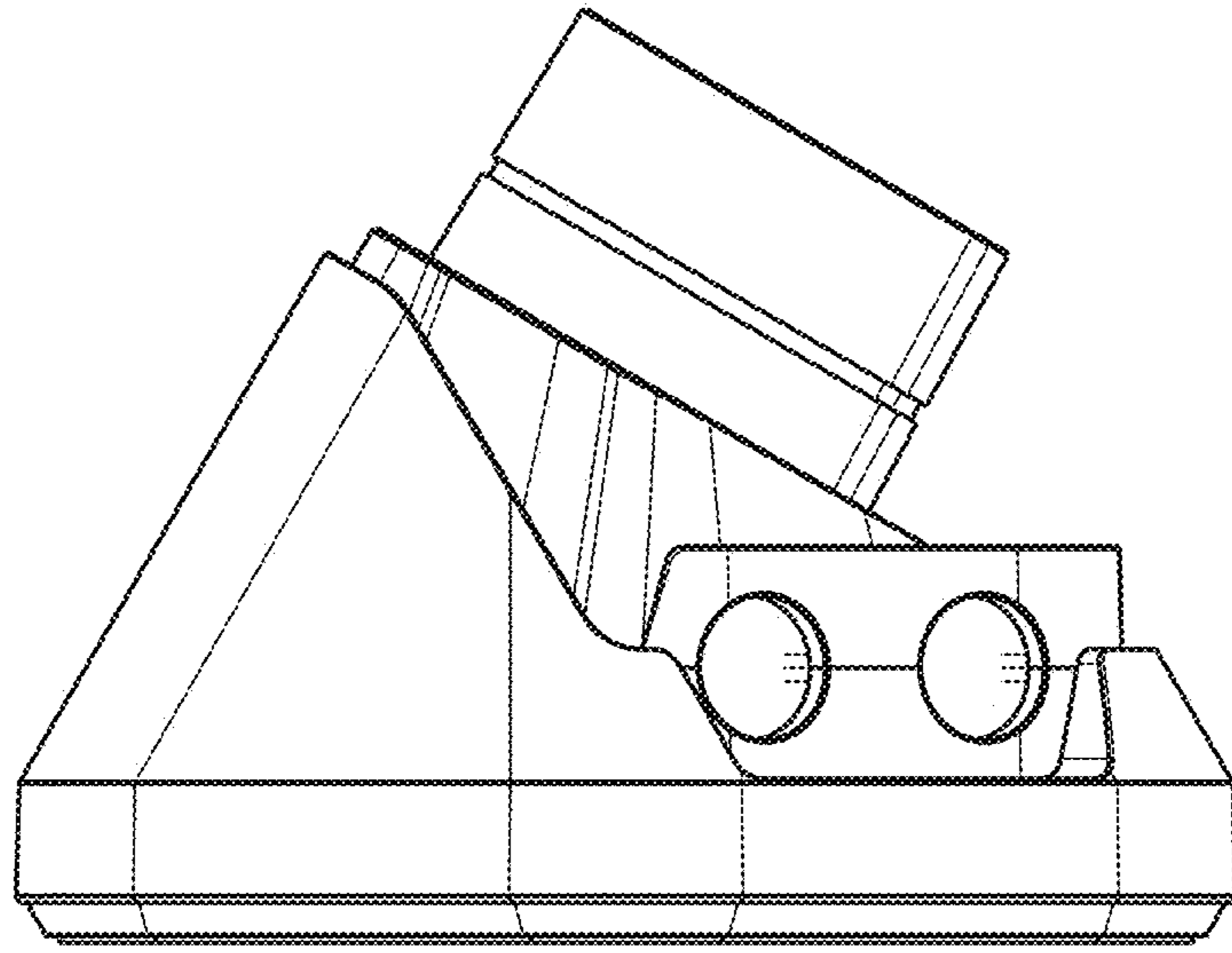


FIG. 5

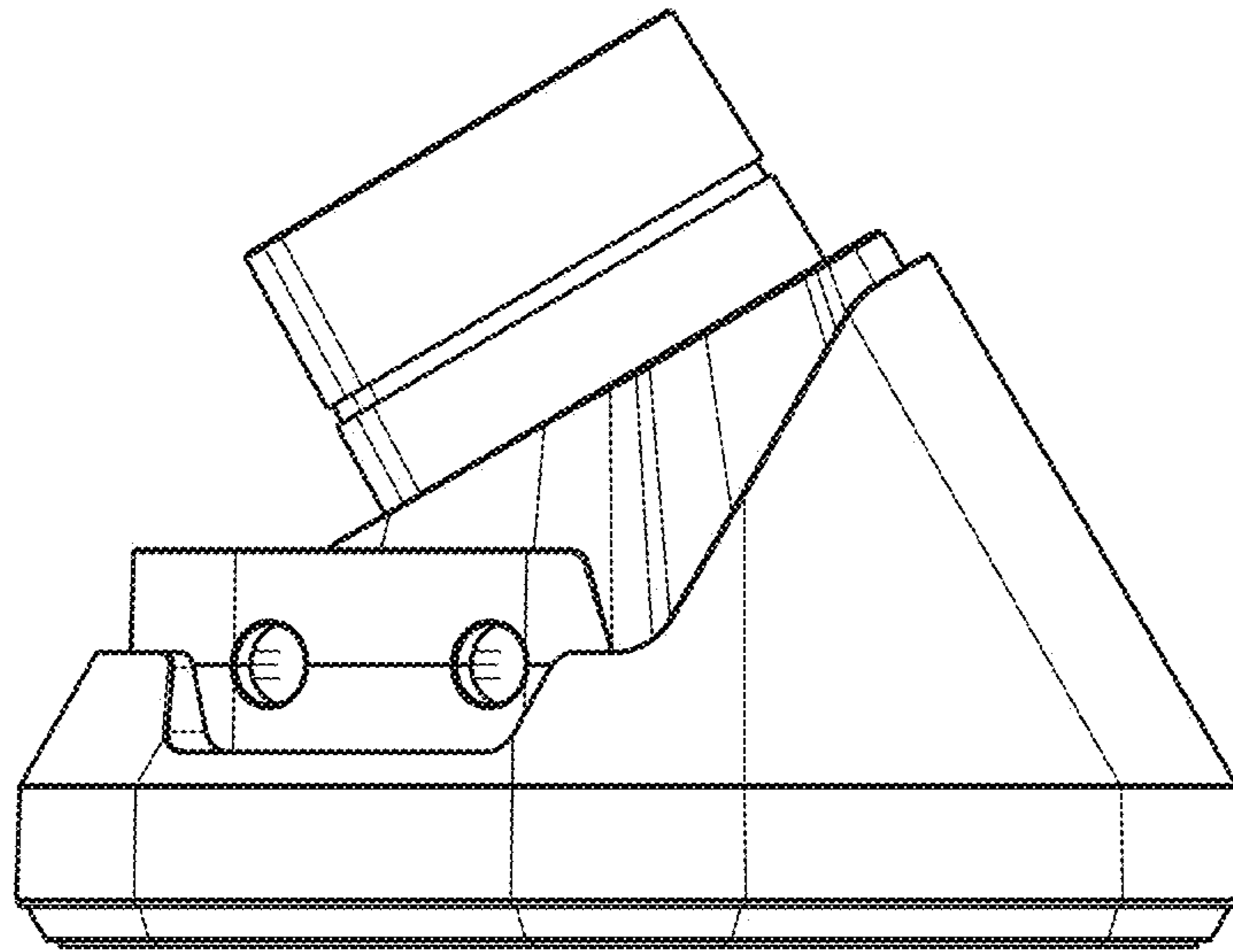


FIG. 6



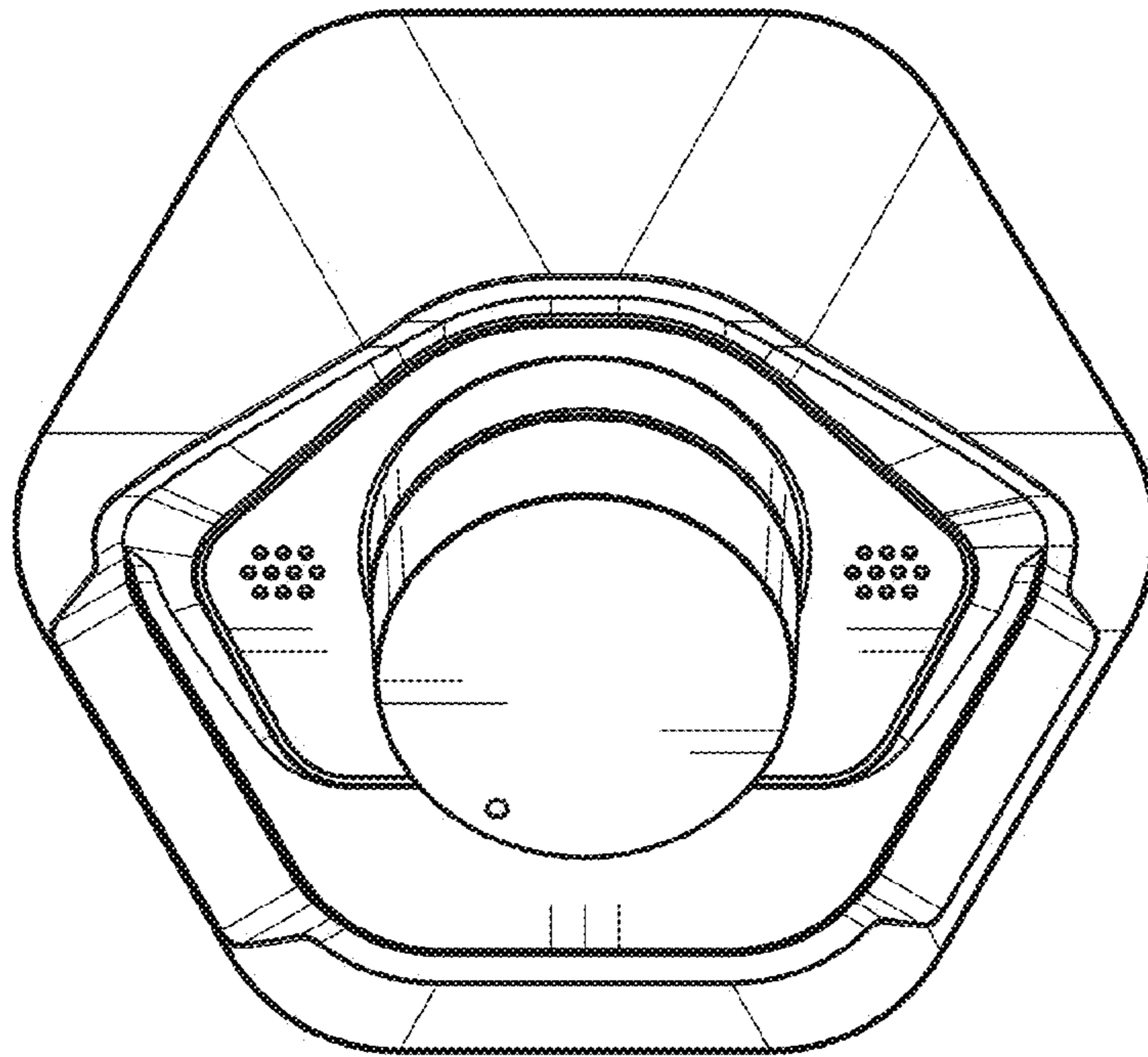


FIG. 7

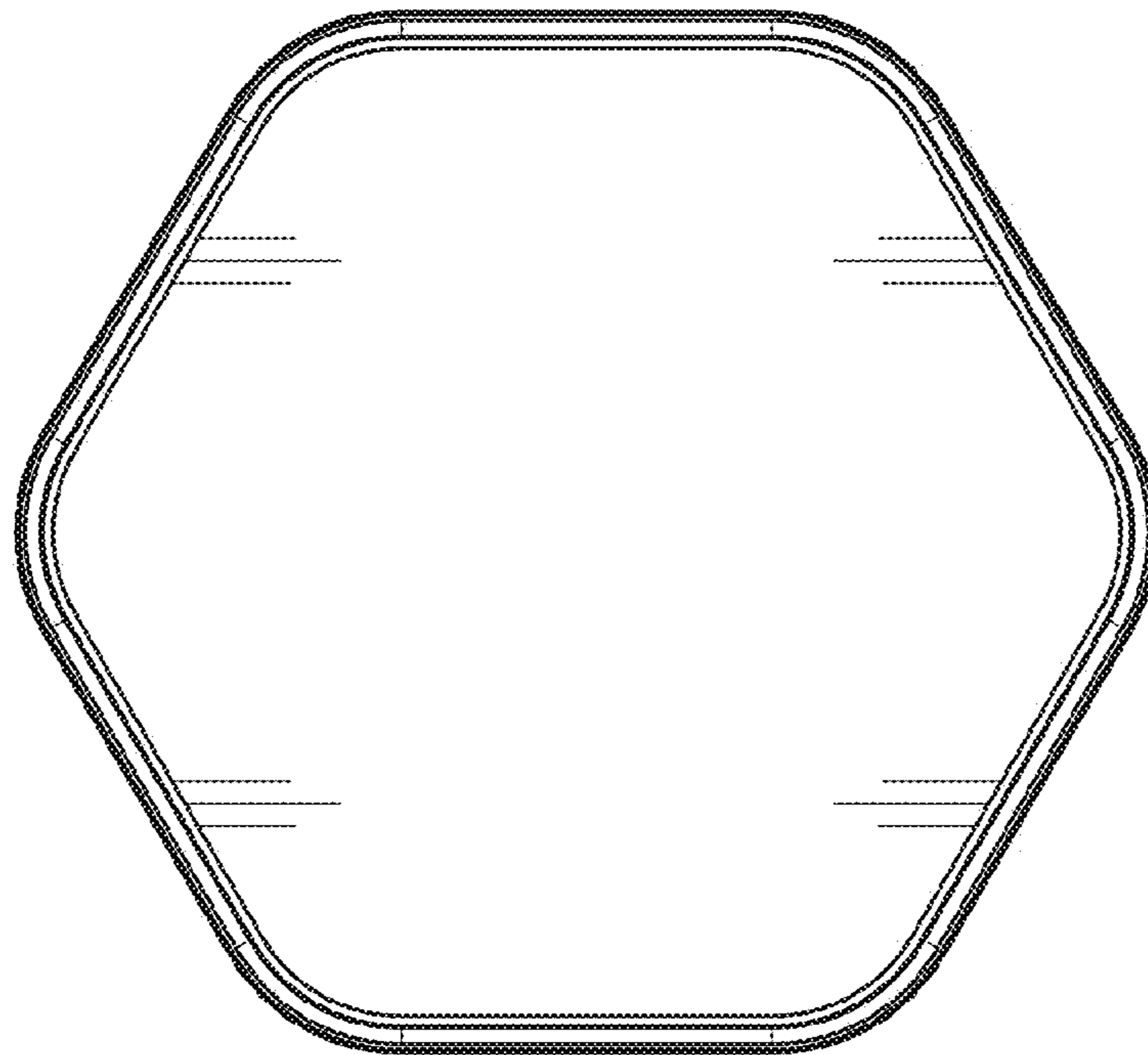


FIG. 8