



US00D702193S

(12) **United States Design Patent**  
**Feldstein et al.**

(10) **Patent No.:** **US D702,193 S**  
(45) **Date of Patent:** **\*\* Apr. 8, 2014**

(54) **WALL MOUNTED BUTTON PANEL WITH SPLIT BUTTONS**

(71) Applicants: **George Feldstein**, Cresskill, NJ (US);  
**Stanley Wisniewski**, Pompton Plains, NJ (US)

(72) Inventors: **George Feldstein**, Cresskill, NJ (US);  
**Stanley Wisniewski**, Pompton Plains, NJ (US)

(73) Assignee: **Crestron Electronics Inc.**, Rockleigh, NJ (US)

(\*\*) Term: **14 Years**

(21) Appl. No.: **29/441,332**

(22) Filed: **Jan. 3, 2013**

(51) **LOC (10) Cl.** ..... **13-03**

(52) **U.S. Cl.**  
USPC ..... **D13/162; D13/171**

(58) **Field of Classification Search**  
USPC ..... D13/162, 164, 171, 174; 174/66;  
307/139, 157; 315/209 R, 224, 246,  
315/291, 294, 295; 200/5 R, 5 A, 302.2, 520,  
200/530, 293, 296, 308, 310, 314, 329,  
200/341; 220/241

See application file for complete search history.

(56) **References Cited**

U.S. PATENT DOCUMENTS

4,529,951 A	7/1985	Youichi
D285,066 S	8/1986	Liss et al.
D287,242 S	12/1986	Liss et al.
4,716,357 A	12/1987	Cooper
4,728,866 A	3/1988	Capewell
4,876,498 A	10/1989	Luchaco
4,888,494 A	12/1989	McNair et al.
4,954,768 A	9/1990	Luchaco et al.
D311,382 S	10/1990	Mayo et al.
D311,485 S	10/1990	Jacoby et al.
D311,678 S	10/1990	Graef et al.
D313,738 S	1/1991	Mayo et al.
D319,429 S	8/1991	D'Aleo et al.

D327,255 S	6/1992	D'Aleo et al.
D336,744 S	6/1993	Kahn et al.
5,260,669 A	11/1993	Higgins et al.
D344,264 S	2/1994	D'Aleo et al.
5,289,043 A	2/1994	Marshall et al.
5,293,308 A	3/1994	Boys et al.
D353,798 S	12/1994	Bryde et al.
5,399,926 A	3/1995	Adams et al.
5,430,356 A	7/1995	Ference
5,463,286 A	10/1995	D'Aleo et al.
5,608,196 A	3/1997	Hall et al.
5,670,858 A	9/1997	Heath
D389,461 S	1/1998	Mayo et al.
D389,805 S	1/1998	Mayo et al.
D395,037 S	6/1998	Mayo et al.

OTHER PUBLICATIONS

Crestron Electronics, Inc., Cameo Keypads Operations and Installation Guide, Feb. 2006, pp. front, cover, i, 1-8, rear cover.

(Continued)

Primary Examiner — Selina Sikder

(74) Attorney, Agent, or Firm — Crestron Electronics Inc.

(57) **CLAIM**

The ornamental design for a wall mounted button panel with split buttons, as shown and described.

**DESCRIPTION**

FIG. 1 shows a front elevational view of a wall mounted button panel with split buttons.

FIG. 2 shows an isometric projection of the wall mounted button panel with split buttons.

FIG. 3 shows a left side elevational view of the wall mounted button panel with split buttons.

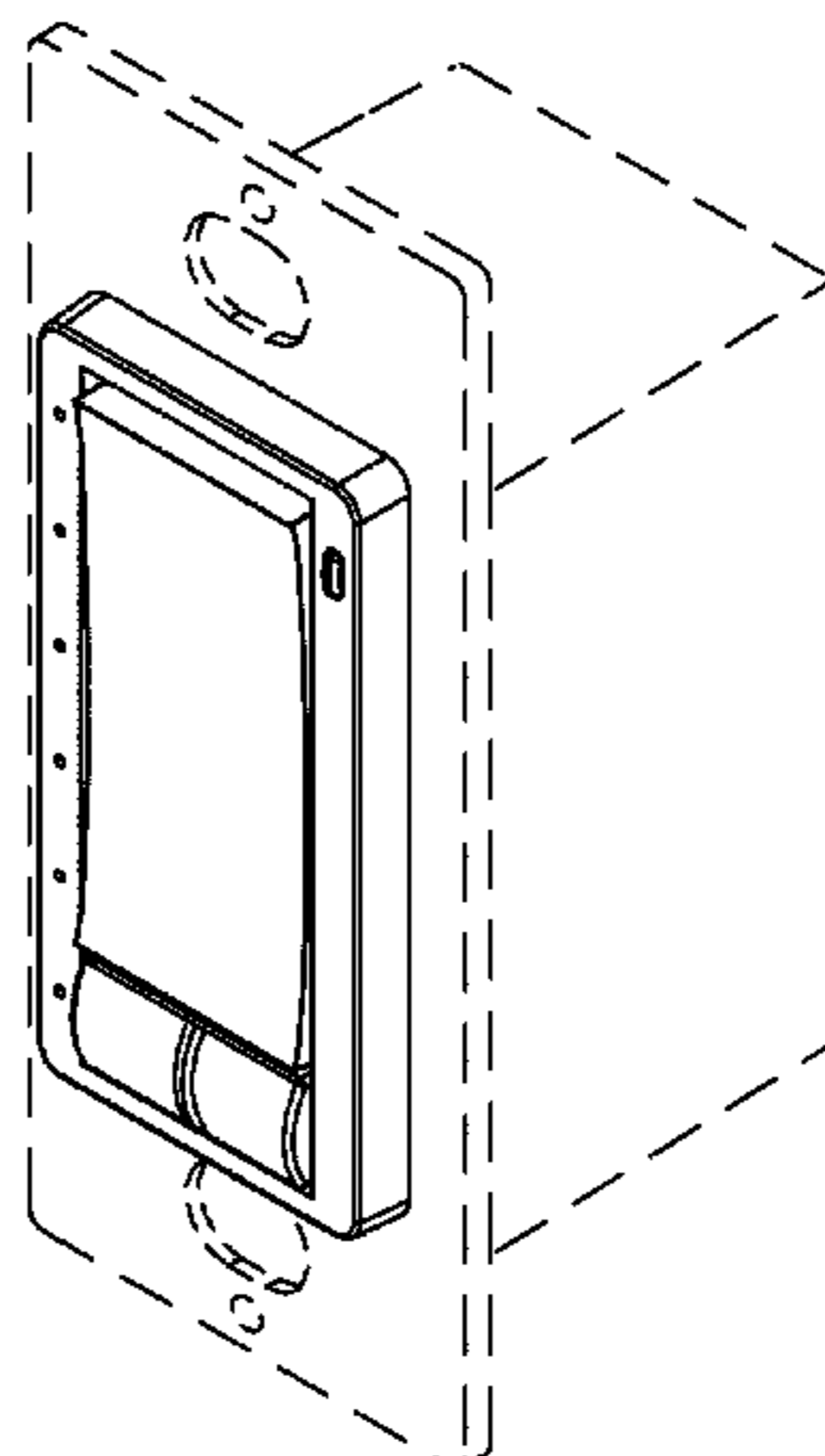
FIG. 4 shows a right side elevational view of the wall mounted button panel with split buttons.

FIG. 5 shows a top plan view of the wall mounted button panel with split buttons; and,

FIG. 6 shows a bottom plan view of the wall mounted button panel with split buttons.

The broken line portion of the figure drawings is included to show unclaimed subject matter only and forms no part of the claimed design.

**1 Claim, 4 Drawing Sheets**



(56)

References Cited

U.S. PATENT DOCUMENTS

5,783,787 A \* 7/1998 Data ..... 200/5 R  
 5,806,665 A \* 9/1998 Houssian ..... 200/330  
 D404,013 S 1/1999 Mayo et al.  
 5,903,139 A 5/1999 Kompelien  
 D412,315 S 7/1999 Mayo et al.  
 D421,246 S 2/2000 Mayo et al.  
 D422,567 S 4/2000 Mayo et al.  
 6,091,205 A 7/2000 Newman, Jr. et al.  
 D428,855 S 8/2000 Mayo et al.  
 6,120,262 A 9/2000 McDonough et al.  
 D436,930 S 1/2001 Butler  
 D437,585 S 2/2001 Mayo et al.  
 D437,834 S 2/2001 Mayo et al.  
 6,218,787 B1 4/2001 Murcko et al.  
 D441,723 S 5/2001 Mayo et al.  
 D442,558 S 5/2001 Mayo et al.  
 D450,043 S 11/2001 Mosebrook  
 D453,742 S 2/2002 Butler et al.  
 6,356,038 B2 3/2002 Bishel  
 D456,783 S 5/2002 Mayo et al.  
 D461,782 S 8/2002 Butler et al.  
 D465,460 S 11/2002 Mayo et al.  
 D466,089 S \* 11/2002 Suen ..... D13/162  
 D466,090 S 11/2002 Bennett  
 D466,091 S 11/2002 Bennett  
 D466,484 S 12/2002 Bennett  
 6,545,434 B2 4/2003 Sembhi et al.  
 D475,024 S 5/2003 Bennett  
 D475,025 S 5/2003 Bennett  
 D490,061 S 5/2004 Bennett  
 D510,074 S 9/2005 Larson et al.  
 6,969,959 B2 11/2005 Black et al.  
 D516,041 S 2/2006 Hobart et al.  
 7,019,241 B2 \* 3/2006 Grassl et al. .... 200/339  
 D535,950 S 1/2007 Alker et al.  
 D538,238 S 3/2007 Alker et al.  
 D539,758 S 4/2007 Blair et al.  
 D542,226 S 5/2007 Spira  
 D542,227 S 5/2007 Larson et al.  
 D542,229 S 5/2007 Larson et al.  
 D546,294 S 7/2007 Mayo et al.  
 D546,776 S 7/2007 Mierta et al.  
 D547,733 S 7/2007 Mayo et al.  
 D547,734 S 7/2007 Mayo et al.  
 D550,163 S 9/2007 Mayo et al.  
 D550,164 S 9/2007 Mayo et al.  
 D550,165 S 9/2007 Mayo et al.  
 D550,166 S 9/2007 Mayo et al.  
 D551,177 S 9/2007 Larson et al.  
 D551,178 S 9/2007 Mayo et al.  
 D551,179 S 9/2007 Mayo et al.  
 D551,630 S 9/2007 Larson et al.  
 D551,631 S 9/2007 Mayo et al.  
 D552,042 S 10/2007 Mayo et al.  
 D557,662 S 12/2007 Spira  
 D557,664 S 12/2007 Hewson et al.  
 D557,665 S 12/2007 Hewson et al.  
 D572,664 S 7/2008 Hollner et al.  
 D572,665 S 7/2008 Hollner et al.  
 D572,666 S 7/2008 Biery et al.  
 D573,546 S 7/2008 Hollner  
 D573,956 S 7/2008 Hollner et al.  
 D574,787 S 8/2008 Hollner  
 D576,958 S 9/2008 Hollner  
 D580,881 S 11/2008 Hollner  
 D580,882 S 11/2008 Hollner  
 D580,883 S 11/2008 Hollner  
 D580,884 S 11/2008 Hollner  
 D585,840 S 2/2009 Hollner  
 D585,841 S 2/2009 Hollner  
 D586,760 S 2/2009 Hollner et al.  
 D588,070 S 3/2009 Hollner et al.  
 D588,071 S 3/2009 Hollner et al.

D588,072 S 3/2009 Hollner et al.  
 D588,073 S 3/2009 Hollner et al.  
 D588,074 S 3/2009 Hollner  
 D588,075 S 3/2009 Hollner  
 D588,553 S 3/2009 Hollner et al.  
 D595,663 S 7/2009 Hollner  
 D595,665 S 7/2009 Hollner  
 D595,666 S 7/2009 Hollner  
 D596,140 S 7/2009 Hollner  
 7,609,007 B1 10/2009 Kumar  
 D604,743 S 11/2009 Altonen et al.  
 D612,400 S 3/2010 Altonen et al.  
 D613,305 S 4/2010 Altonen et al.  
 7,714,790 B1 5/2010 Feldstein  
 7,796,057 B2 9/2010 Swatsky et al.  
 D624,881 S 10/2010 Altonen et al.  
 D624,882 S 10/2010 Altonen et al.  
 D625,273 S 10/2010 Felegy et al.  
 D633,448 S 3/2011 Biery et al.  
 D633,874 S 3/2011 Feldstein  
 D634,276 S \* 3/2011 Chou ..... D13/162  
 D636,738 S 4/2011 Feldstein  
 7,928,663 B1 4/2011 Kumar  
 7,928,917 B1 4/2011 Feldstein  
 D651,571 S 1/2012 Feldstein  
 D651,572 S 1/2012 Feldstein  
 D651,573 S 1/2012 Feldstein  
 D651,574 S 1/2012 Feldstein  
 D651,575 S 1/2012 Feldstein  
 D651,576 S 1/2012 Feldstein  
 D651,577 S 1/2012 Feldstein  
 D651,578 S 1/2012 Feldstein  
 D651,579 S 1/2012 Feldstein  
 D651,580 S 1/2012 Feldstein  
 D651,983 S 1/2012 Feldstein  
 D651,984 S 1/2012 Feldstein  
 D651,985 S 1/2012 Feldstein  
 D651,986 S 1/2012 Feldstein  
 D652,805 S 1/2012 Feldstein  
 D652,806 S 1/2012 Feldstein  
 D653,220 S 1/2012 Feldstein  
 8,089,414 B2 1/2012 Feldstein  
 8,102,375 B1 1/2012 Feldstein  
 D656,102 S \* 3/2012 Chou ..... D13/162  
 D657,319 S 4/2012 Feldstein  
 8,149,591 B2 4/2012 Feldstein  
 D678,222 S 3/2013 Wisniewski  
 D678,223 S 3/2013 Wisniewski  
 D678,850 S 3/2013 Wisniewski  
 D678,851 S 3/2013 Wisniewski  
 D686,166 S 7/2013 Wisniewski  
 D686,167 S 7/2013 Wisniewski  
 D686,168 S 7/2013 Wisniewski  
 D686,169 S 7/2013 Wisniewski  
 2002/0060530 A1 5/2002 Sembhi et al.  
 2005/0275354 A1 12/2005 Hausman et al.  
 2005/0284738 A1 12/2005 Altonen et al.  
 2006/0255745 A1 11/2006 DeJonge  
 2007/0001654 A1 1/2007 Newman  
 2007/0285027 A1 12/2007 Gehman  
 2008/0024074 A1 1/2008 Mosebrook  
 2008/0111501 A1 5/2008 Dobbins et al.  
 2008/0237010 A1 10/2008 Patel et al.  
 2009/0039854 A1 2/2009 Blakeley  
 2009/0108765 A1 4/2009 Weightman et al.  
 2010/0214756 A1 8/2010 Feldstein  
 2011/0248893 A1 10/2011 Feldstein  
 2012/0068894 A1 3/2012 Feldstein  
 2012/0160641 A1 6/2012 Wisniewski

OTHER PUBLICATIONS

Exhibit A—*Lutron Electronics v. Crestron Electronics* CV 2:09-cv-07, Third Amended Complaint.

\* cited by examiner

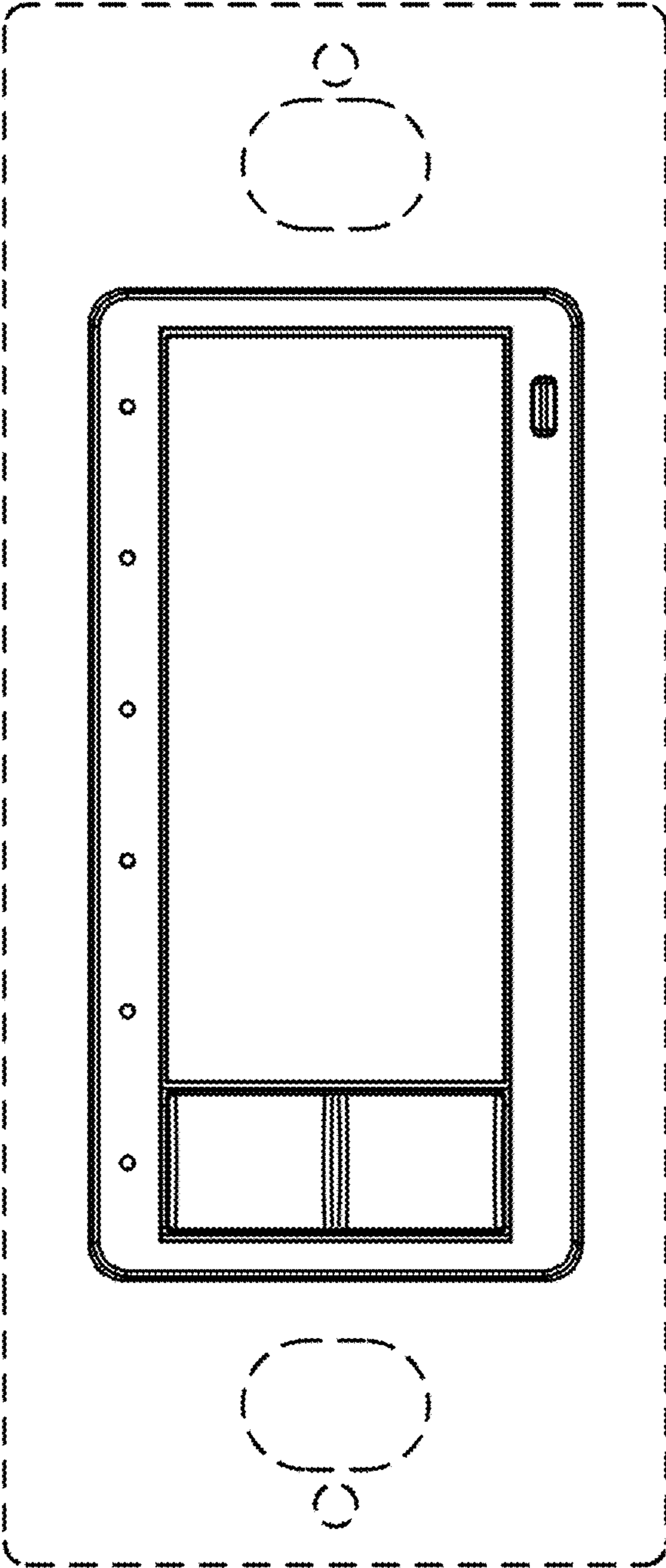


FIG. 1

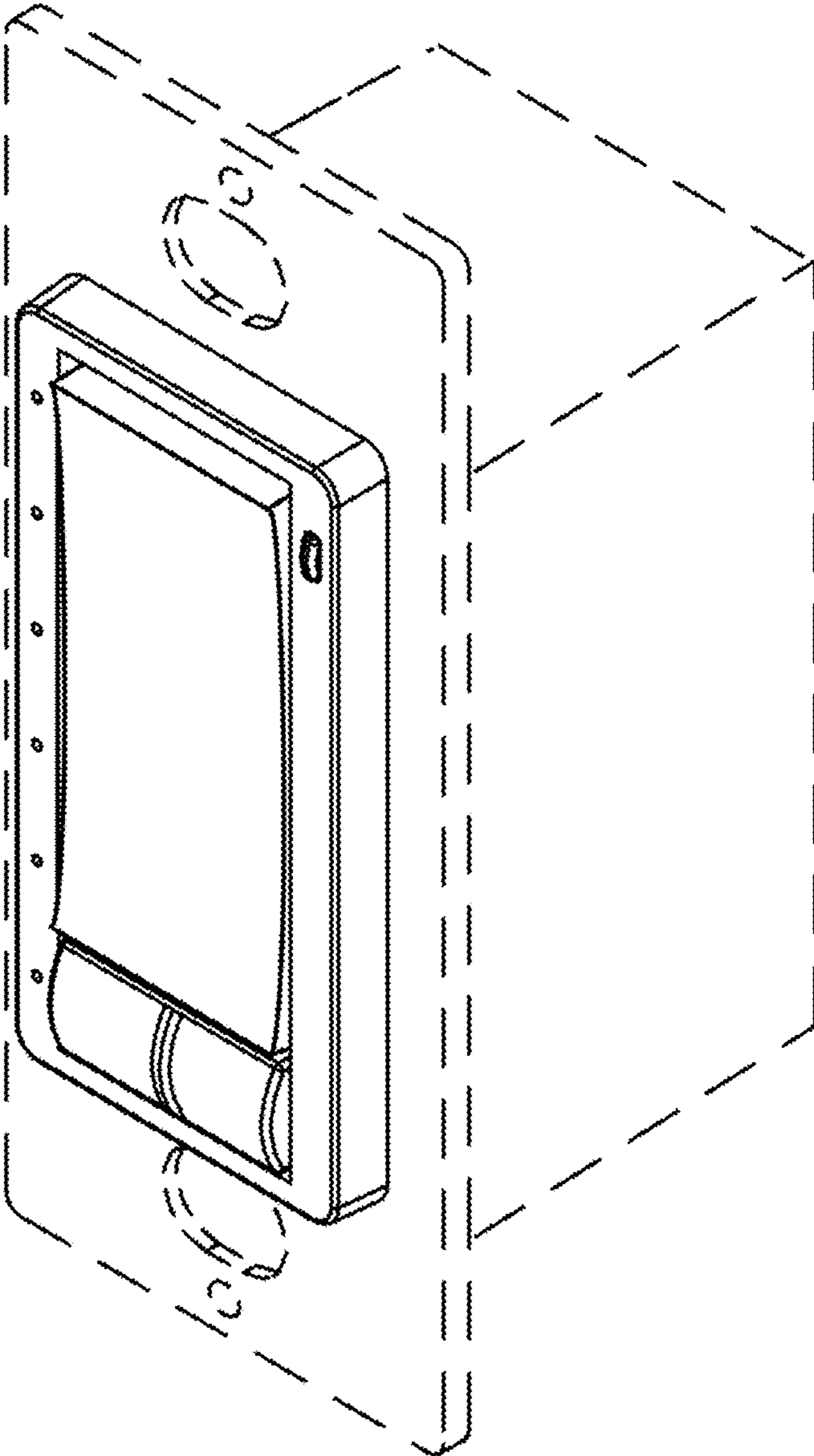


FIG. 2

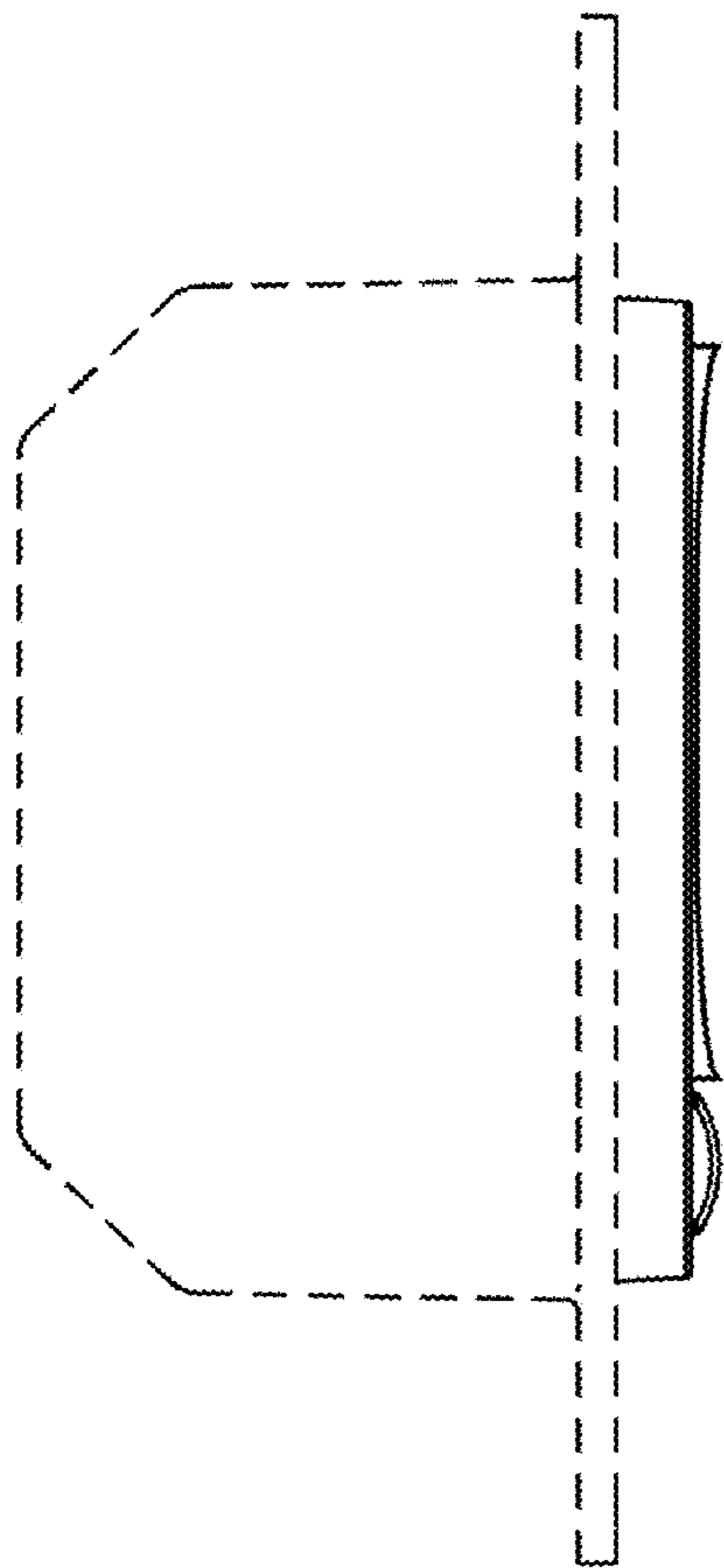


FIG. 3

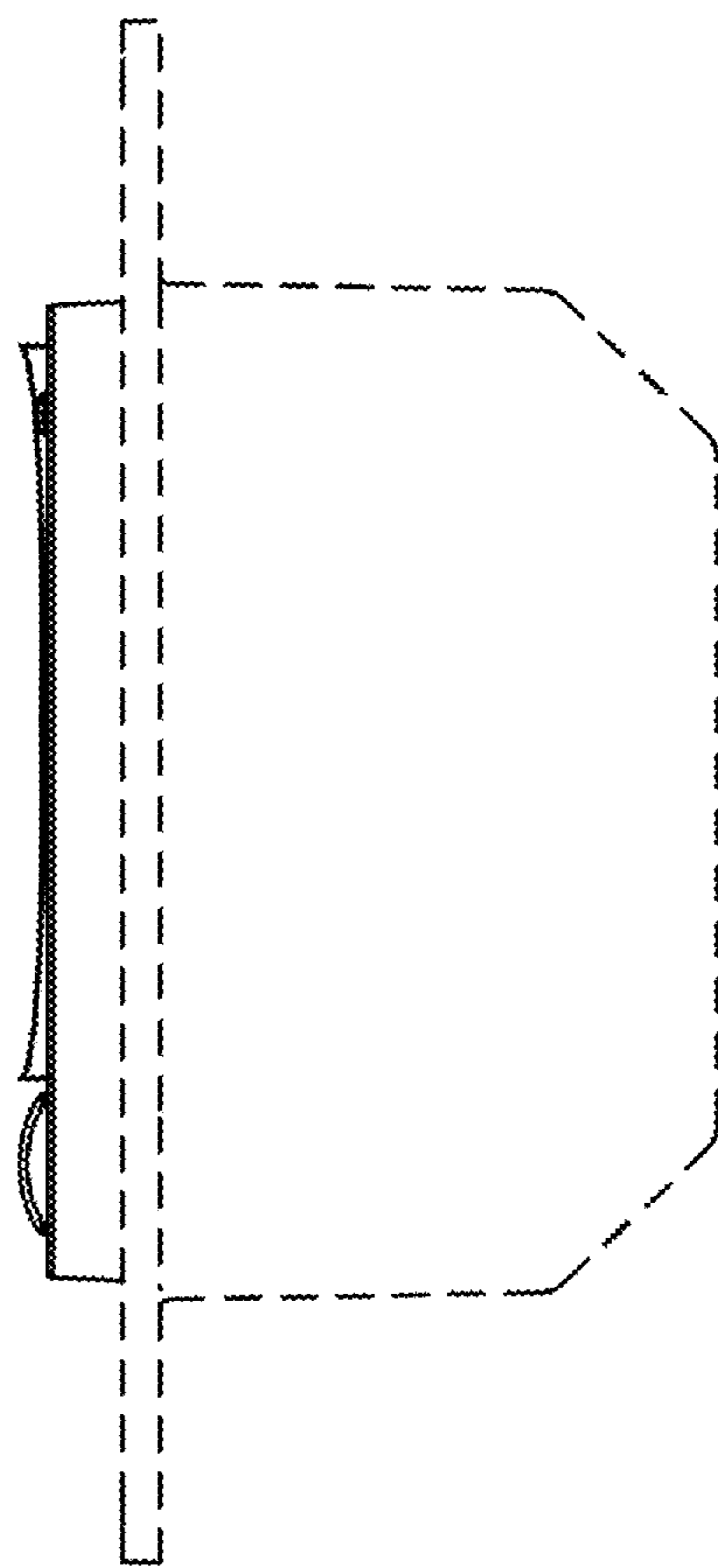


FIG. 4

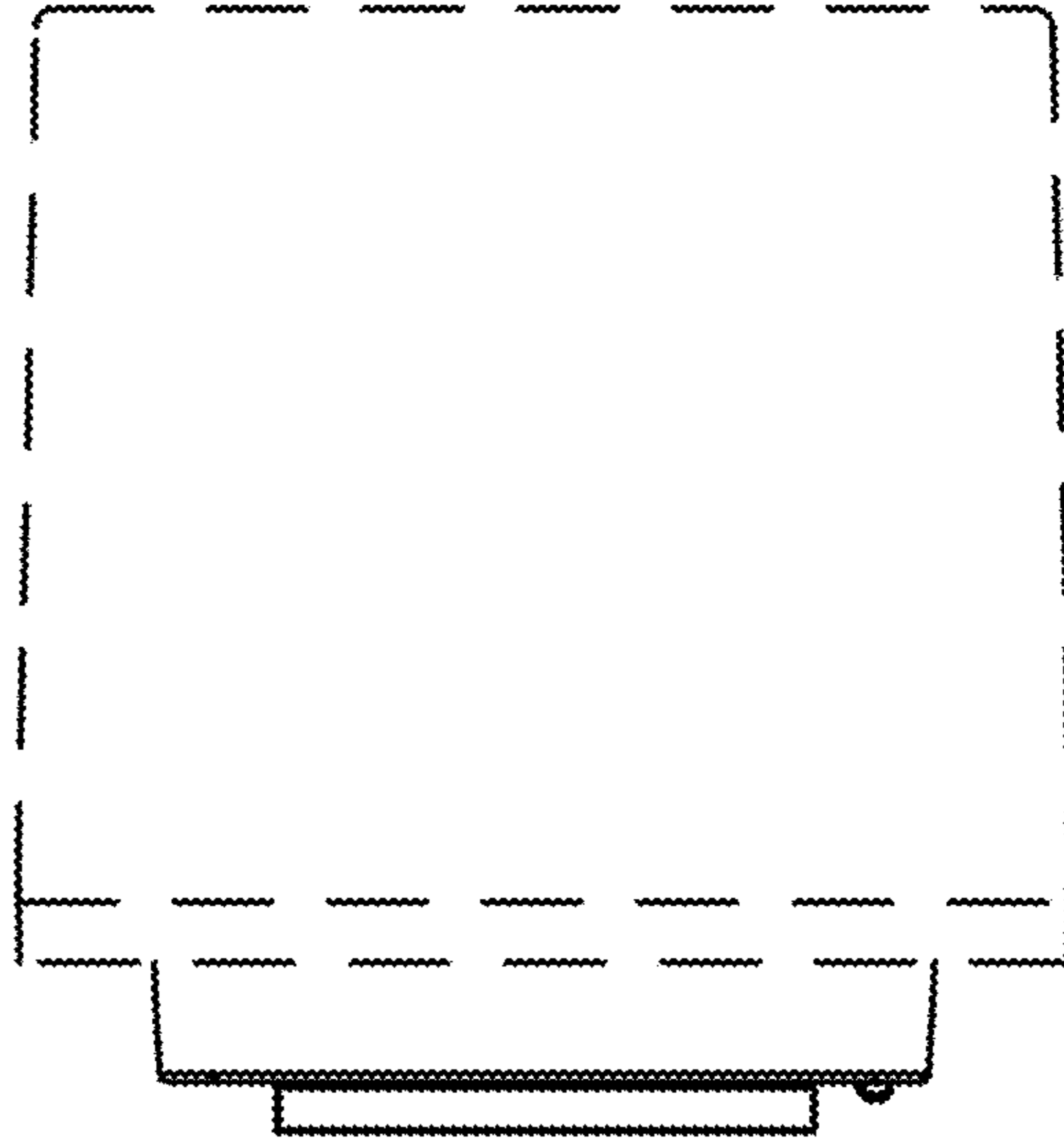


FIG. 5

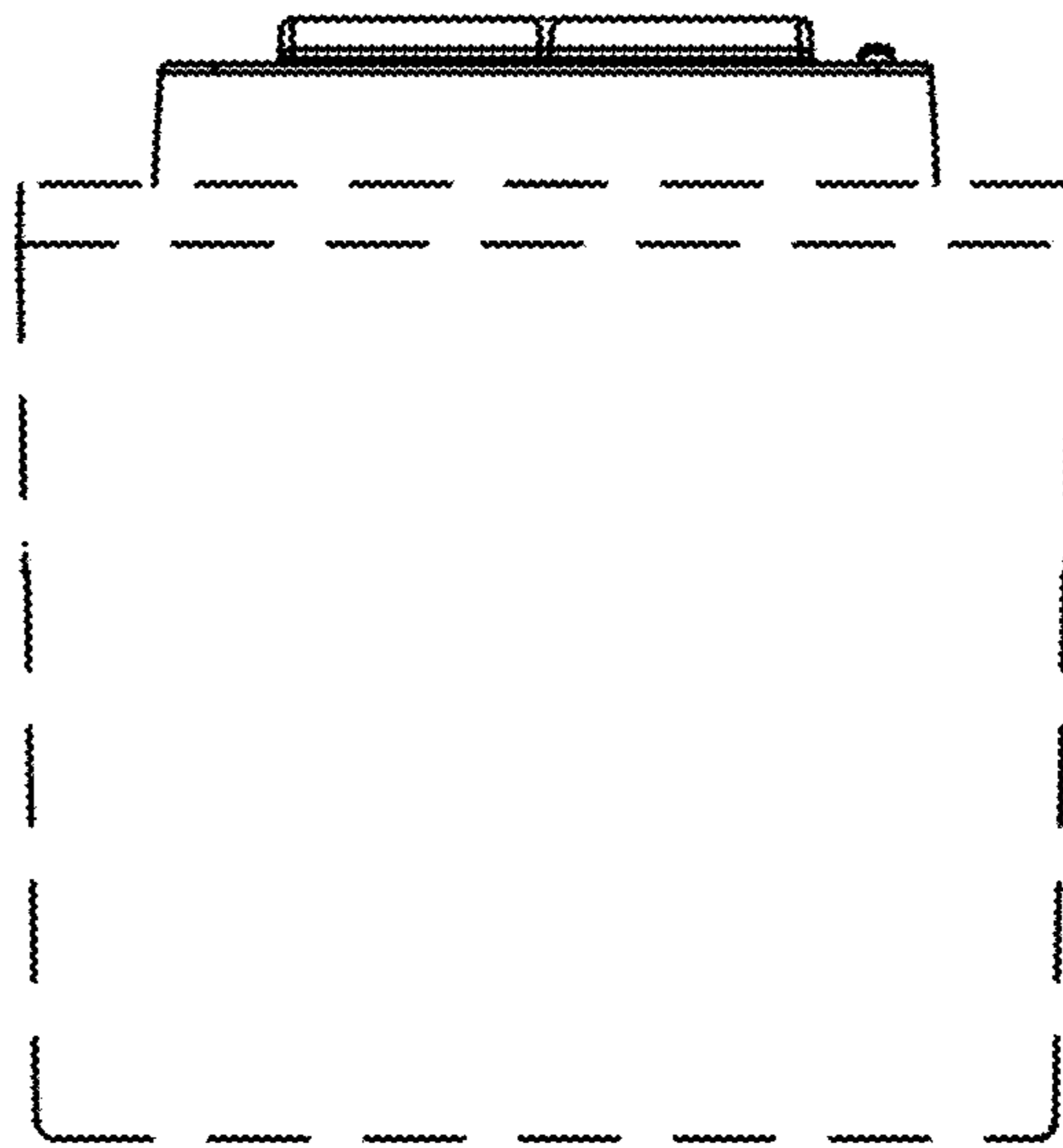


FIG. 6