



US00D702192S

(12) **United States Design Patent**
Arioka et al.

(10) **Patent No.:** **US D702,192 S**

(45) **Date of Patent:** **** Apr. 8, 2014**

(54) **ACTUATOR FOR VACUUM CIRCUIT BREAKER**

(56) **References Cited**

(71) Applicant: **Mitsubishi Electric Corporation**,
Tokyo (JP)

(72) Inventors: **Masahiro Arioka**, Chiyoda-Ku (JP);
Tomotaka Yano, Chiyoda-Ku (JP);
Kyoichi Otsuka, Chiyoda-Ku (JP);
Satoru Yoshida, Chiyoda-Ku (JP);
Taehyun Kim, Chiyoda-Ku (JP); **Koji Sano**, Chiyoda-Ku (JP); **Yuta Nakayama**, Chiyoda-Ku (JP)

(73) Assignee: **Mitsubishi Electric Corporation**,
Tokyo (JP)

(**) Term: **14 Years**

(21) Appl. No.: **29/432,744**

(22) Filed: **Sep. 20, 2012**

(30) **Foreign Application Priority Data**

Mar. 23, 2012 (JP) 2012-006595

(51) **LOC (10) Cl.** **13-03**

(52) **U.S. Cl.**
USPC **D13/158; D15/143**

(58) **Field of Classification Search**
USPC D13/158, 166, 169, 170, 174, 183;
439/717, 721, 725; D15/143, 199, 5, 7;
474/148; 74/89

See application file for complete search history.

U.S. PATENT DOCUMENTS

3,777,578	A *	12/1973	Swanberg	74/89
D399,830	S *	10/1998	Nagai et al.	D13/158
D621,860	S *	8/2010	Fukano et al.	D15/143
D624,100	S *	9/2010	Fukano et al.	D15/143
D624,572	S *	9/2010	Fukano et al.	D15/143
2010/0320063	A1 *	12/2010	Takahara et al.	200/50.25

* cited by examiner

Primary Examiner — Thomas Johannes

(74) *Attorney, Agent, or Firm* — Sughrue Mion, PLLC

(57) **CLAIM**

The ornamental design for an actuator for vacuum circuit breaker, as shown and described.

DESCRIPTION

FIG. 1 is a front, bottom and left side perspective view of an actuator for vacuum circuit breaker, showing our new design; FIG. 2 is a front elevational view thereof; FIG. 3 is a rear elevational view thereof; FIG. 4 is a left side elevational view thereof; FIG. 5 is a right side elevational view thereof; FIG. 6 is a top plan view thereof; FIG. 7 is a bottom plan view thereof; and, FIG. 8 is a reference view showing in use thereof.

1 Claim, 7 Drawing Sheets

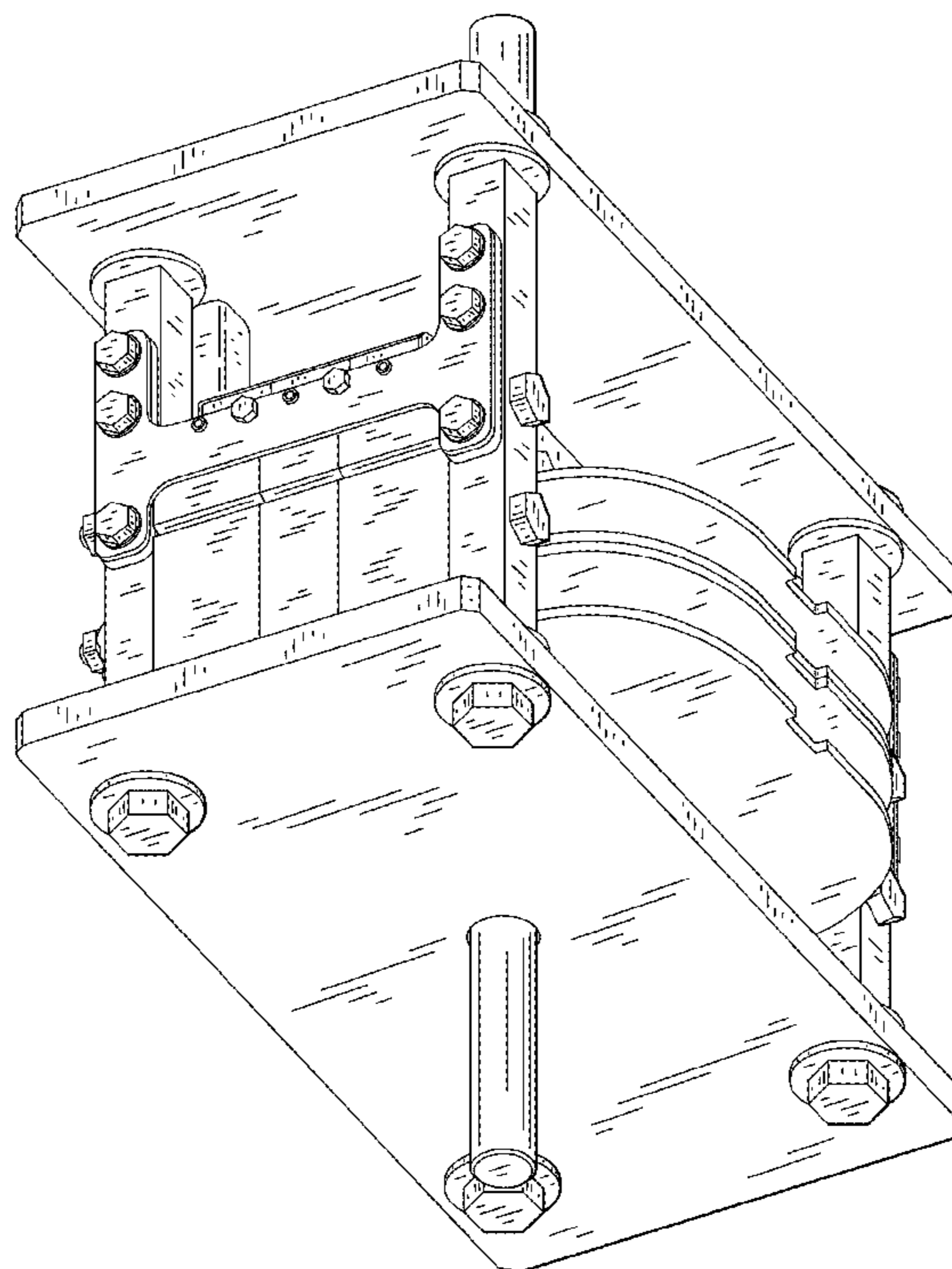


FIG. 1

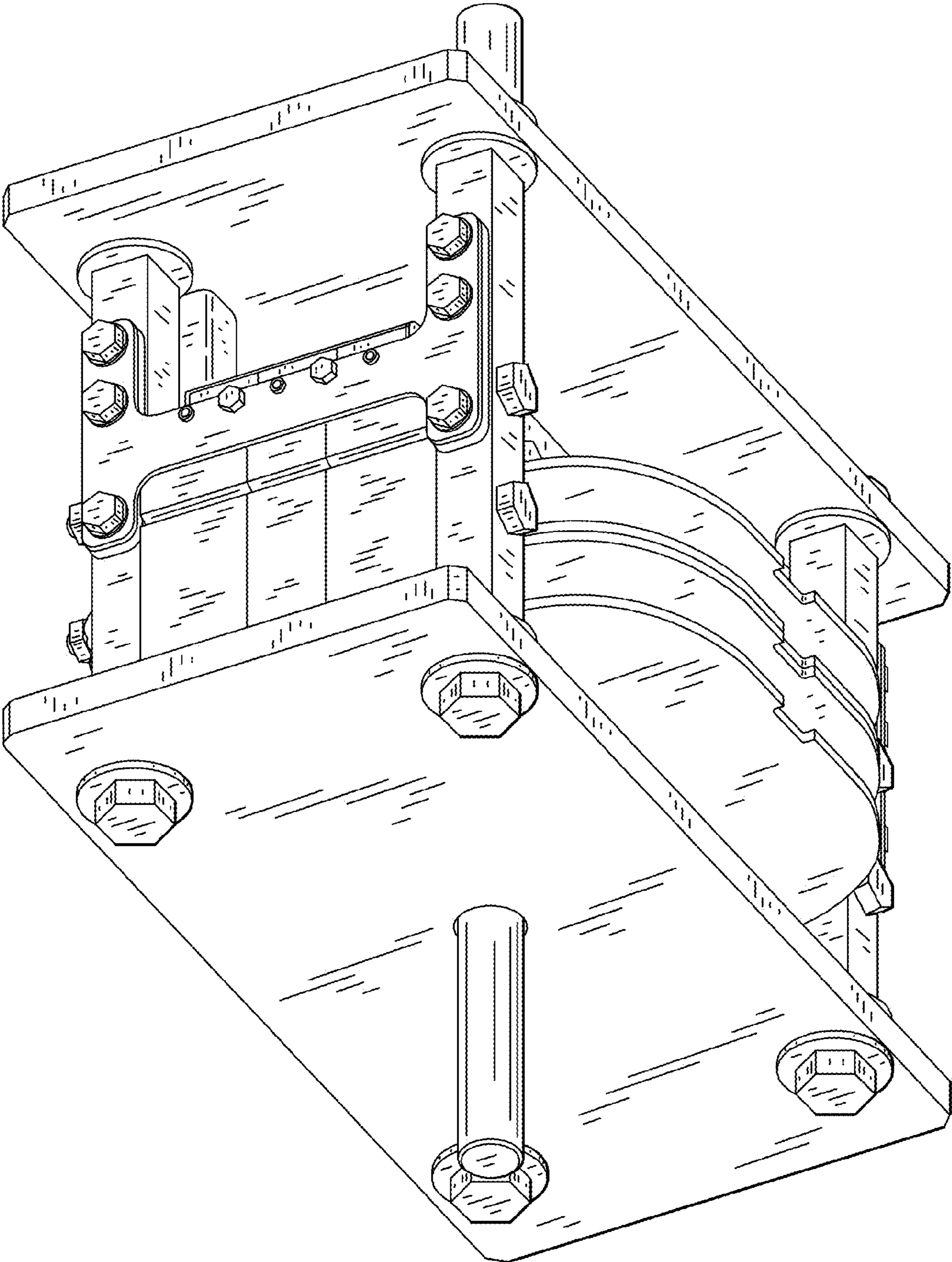


FIG. 2

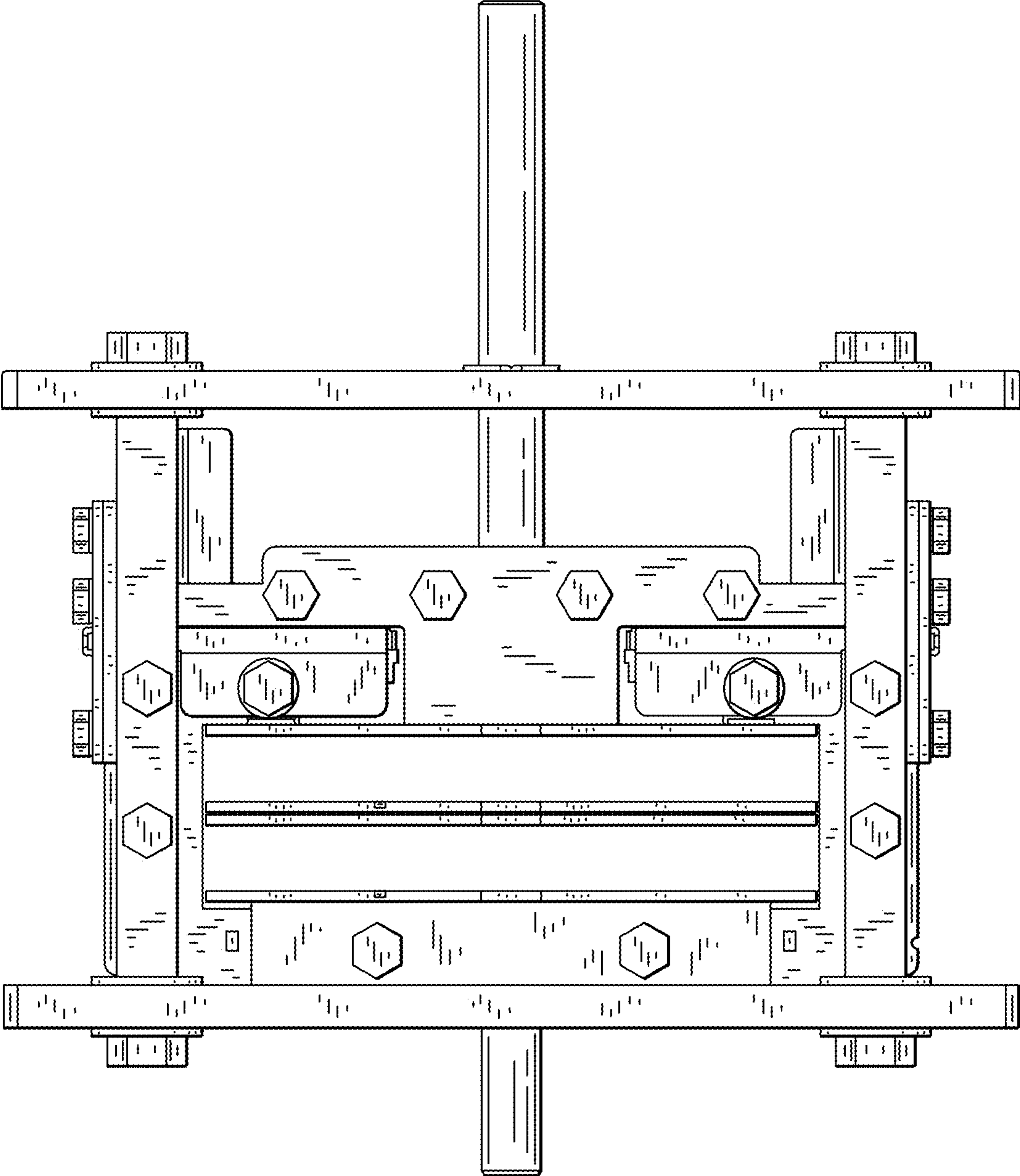


FIG. 3

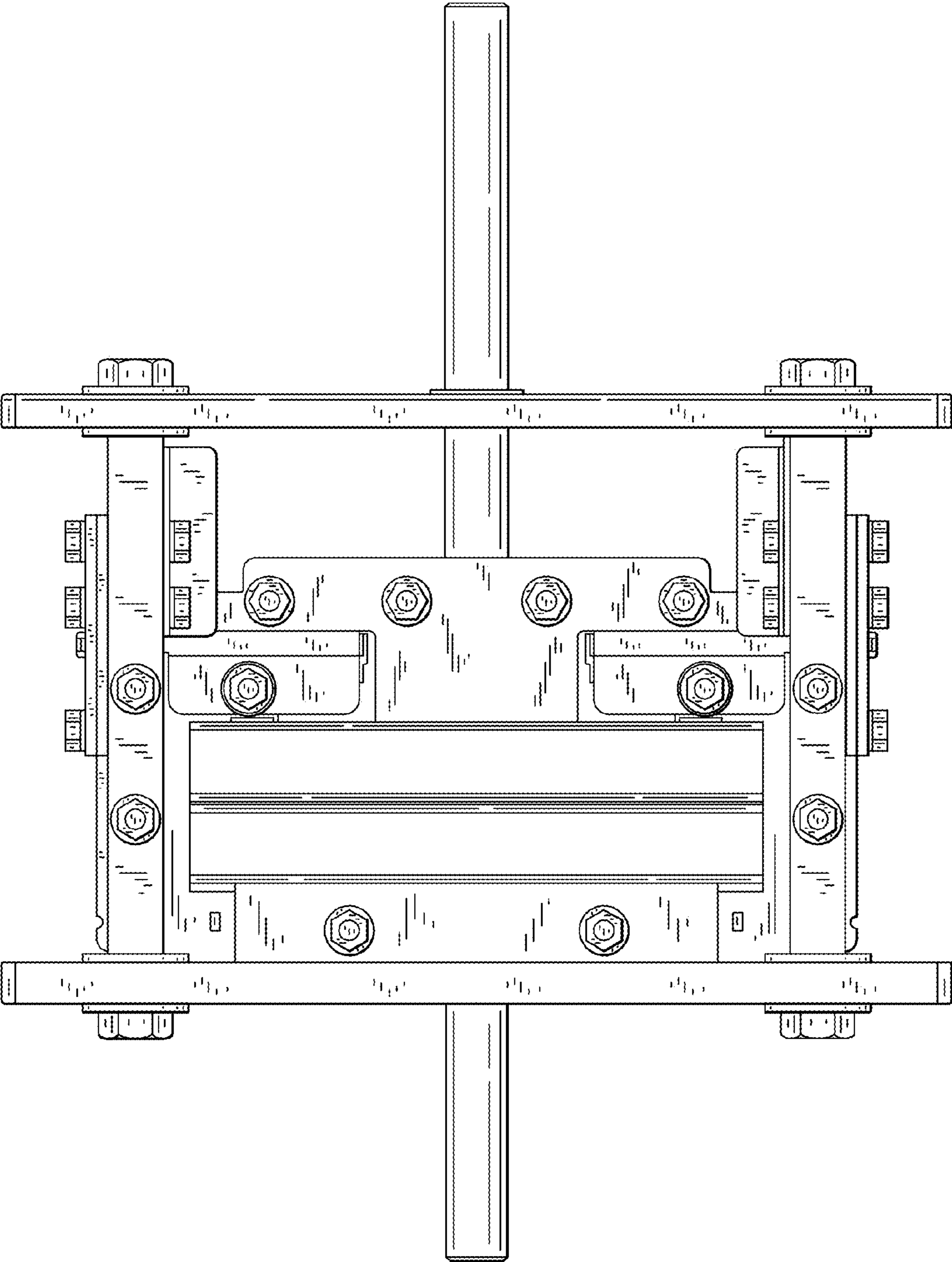


FIG. 4

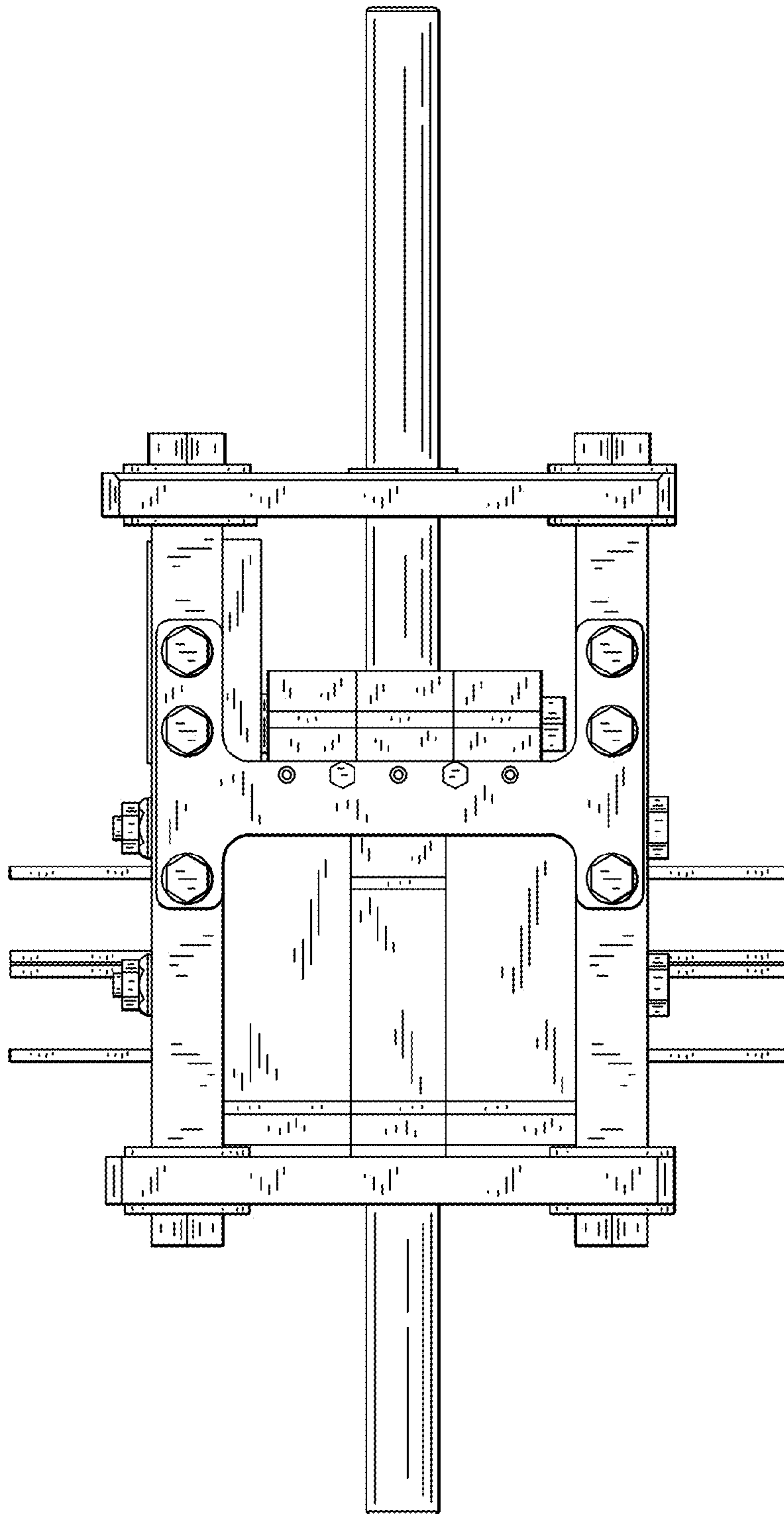


FIG. 5

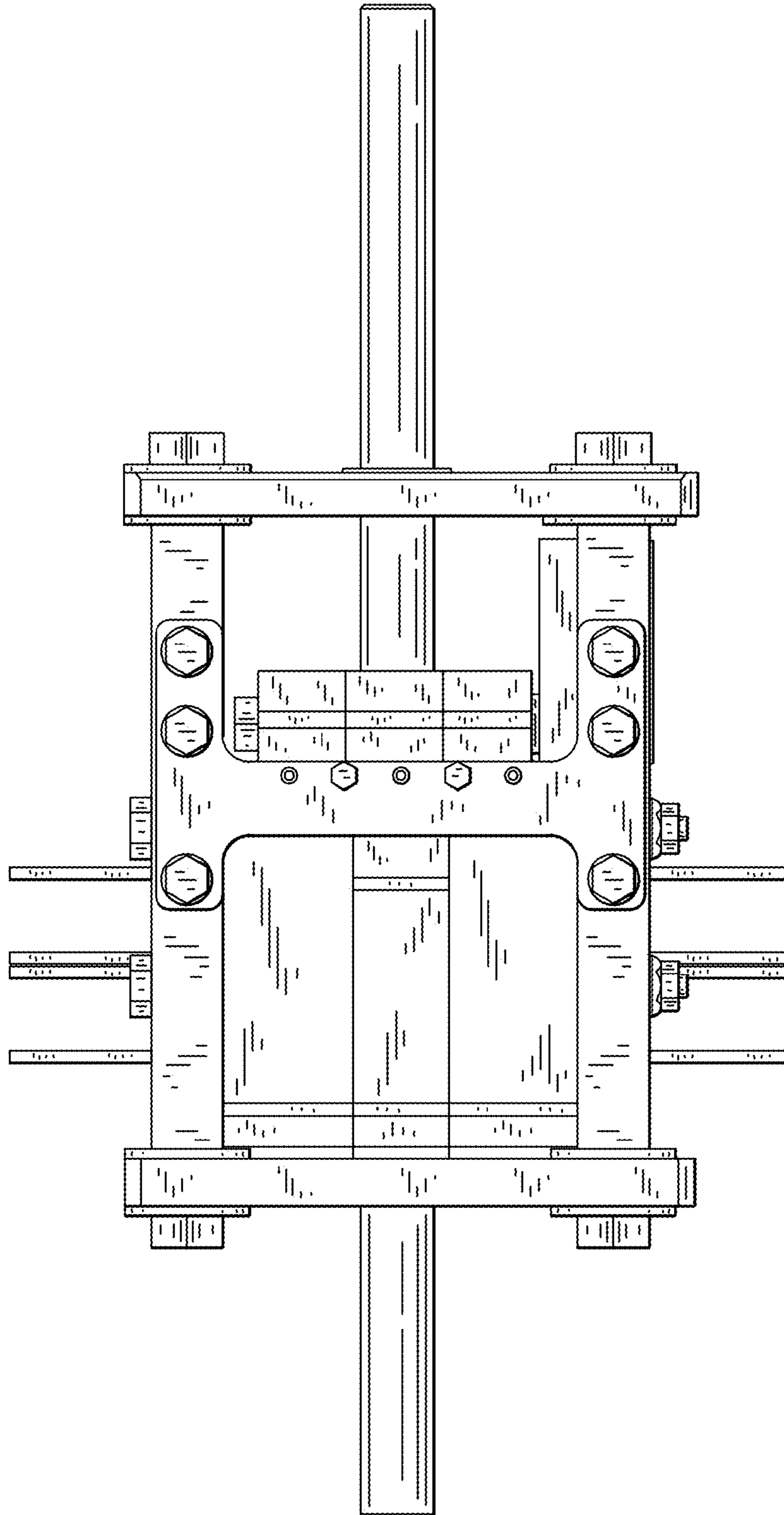


FIG. 6

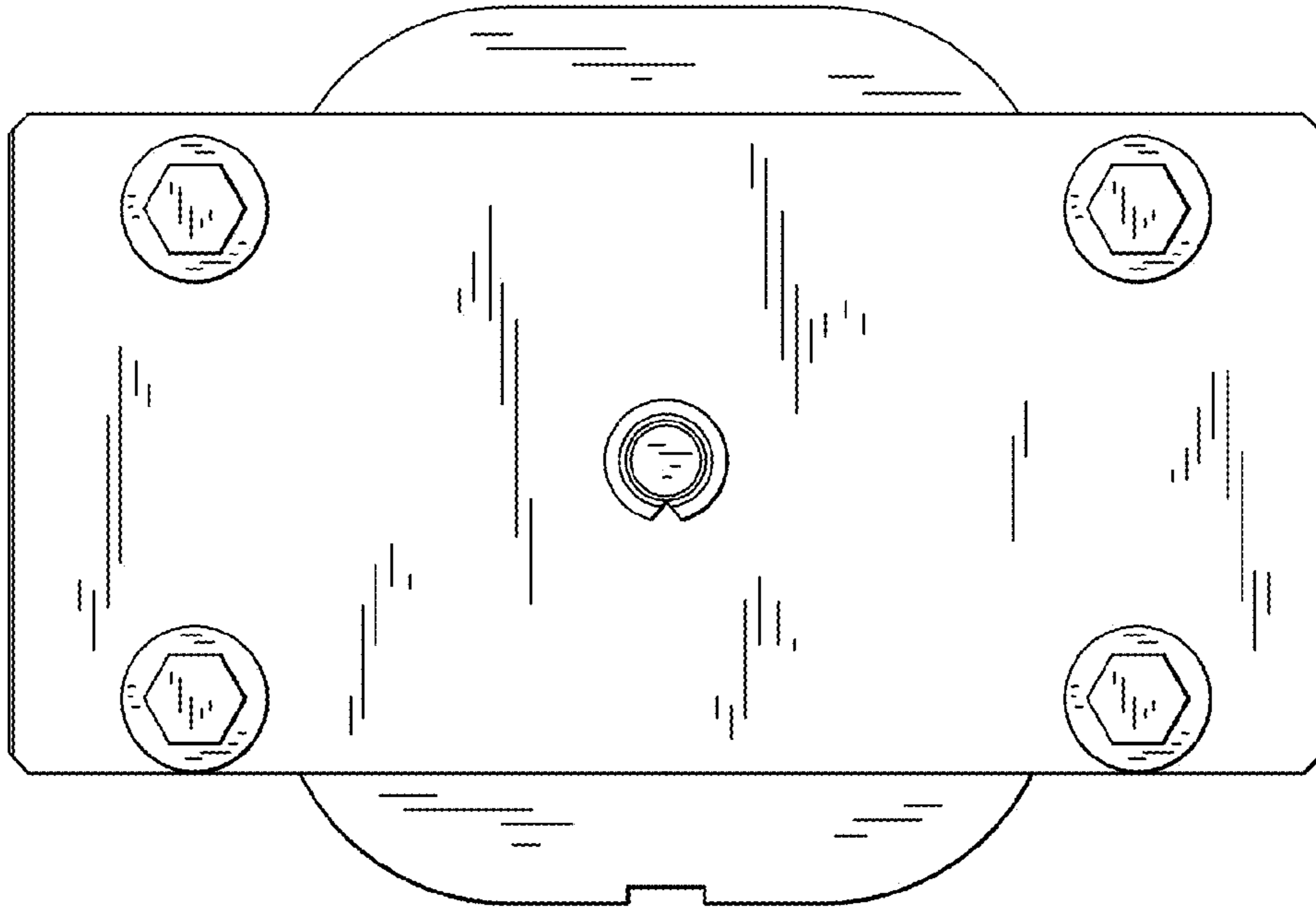


FIG. 7

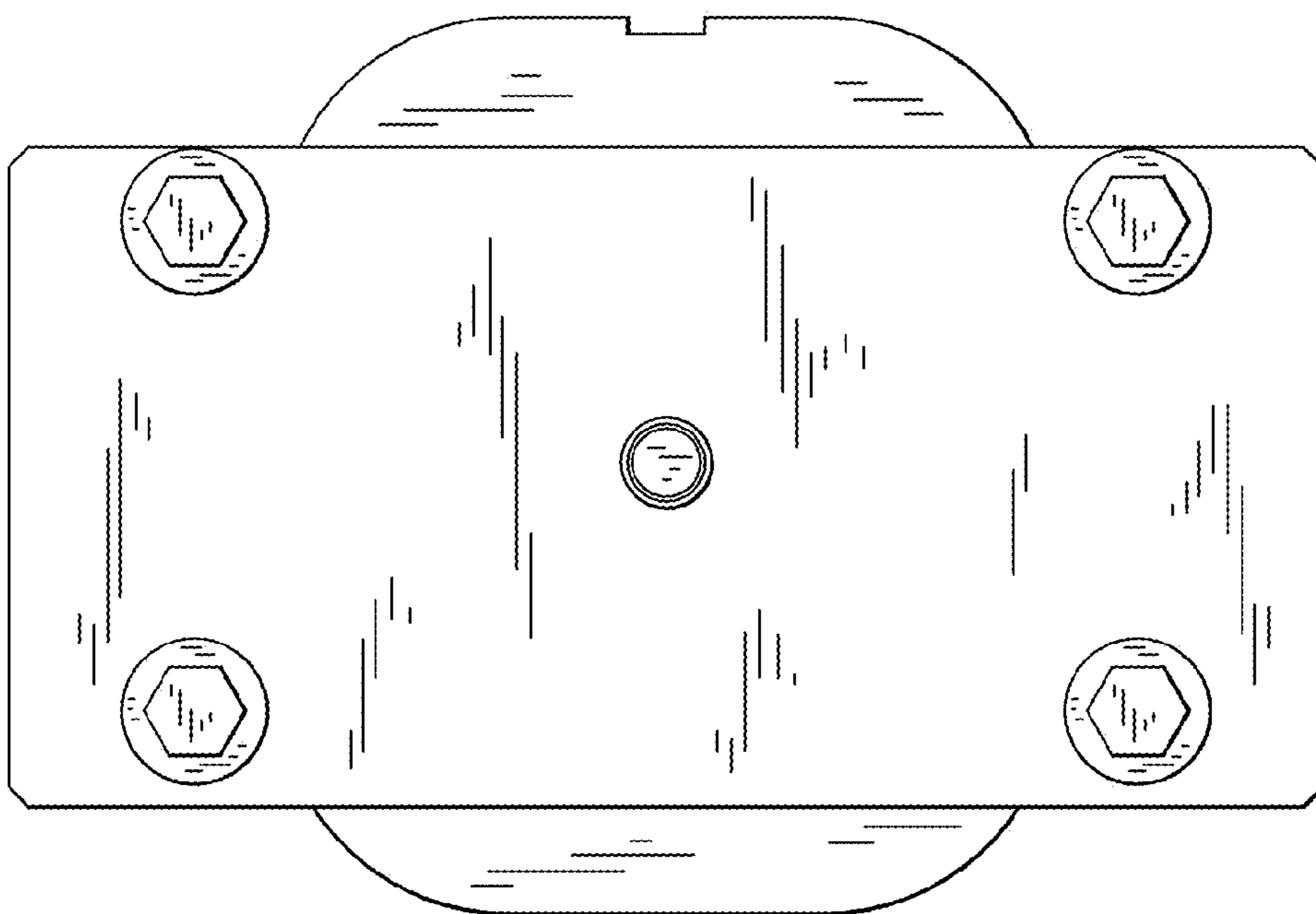


FIG. 8

