



US00D702191S

(12) **United States Design Patent**
Endo et al.

(10) **Patent No.:** **US D702,191 S**
(45) **Date of Patent:** **** Apr. 8, 2014**

(54) **CONNECTING TERMINAL FOR CIRCUIT BOARD CONNECTOR**

(75) Inventors: **Takayoshi Endo**, Shizuoka (JP); **Sakai Yagi**, Shizuoka (JP); **Masaya Muta**, Shizuoka (JP)

(73) Assignee: **Dai-Ichi Seiko Co., Ltd.**, Kyoto (JP)

(**) Term: **14 Years**

(21) Appl. No.: **29/429,659**

(22) Filed: **Aug. 15, 2012**

(30) **Foreign Application Priority Data**

Feb. 17, 2012 (JP) 2012-3324

(51) **LOC (10) Cl.** **13-03**

(52) **U.S. Cl.**
USPC **D13/154**

(58) **Field of Classification Search**
USPC D13/118, 119, 120, 133, 146, 147, 148,
D13/154, 184, 199; 29/874; 324/762;
439/839, 849-850, 852, 862, 870, 877,
439/884-885, 887-891

See application file for complete search history.

(56) **References Cited**

U.S. PATENT DOCUMENTS

D317,753 S *	6/1991	Kozono	D13/148
D457,136 S *	5/2002	Hayashi et al.	D13/133
D516,522 S *	3/2006	Kondas	D13/154
D593,039 S *	5/2009	Singer	D13/154
D603,806 S *	11/2009	Yamashita et al.	D13/154

* cited by examiner

Primary Examiner — Daniel Bui

(74) *Attorney, Agent, or Firm* — Wenderoth, Lind & Ponack, L.L.P.

(57) **CLAIM**

The ornamental design for a connecting terminal for circuit board connector, as shown and described.

DESCRIPTION

FIG. 1 is a front, top and left side perspective view of a connecting terminal for circuit board connector showing our new design;

FIG. 2 is a front, bottom and left side perspective view thereof;

FIG. 3 is a front elevation thereof;

FIG. 4 is a rear elevation view thereof;

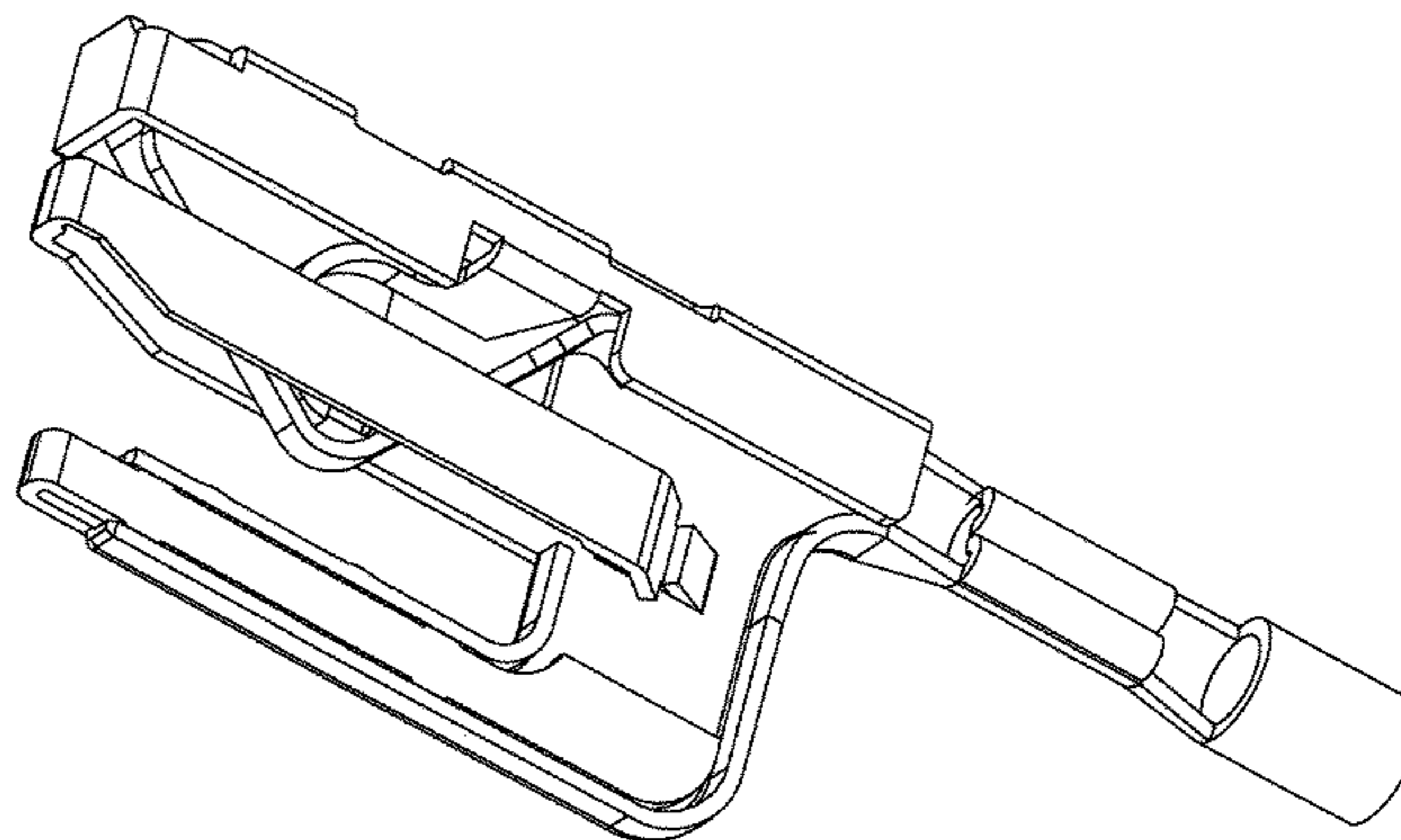
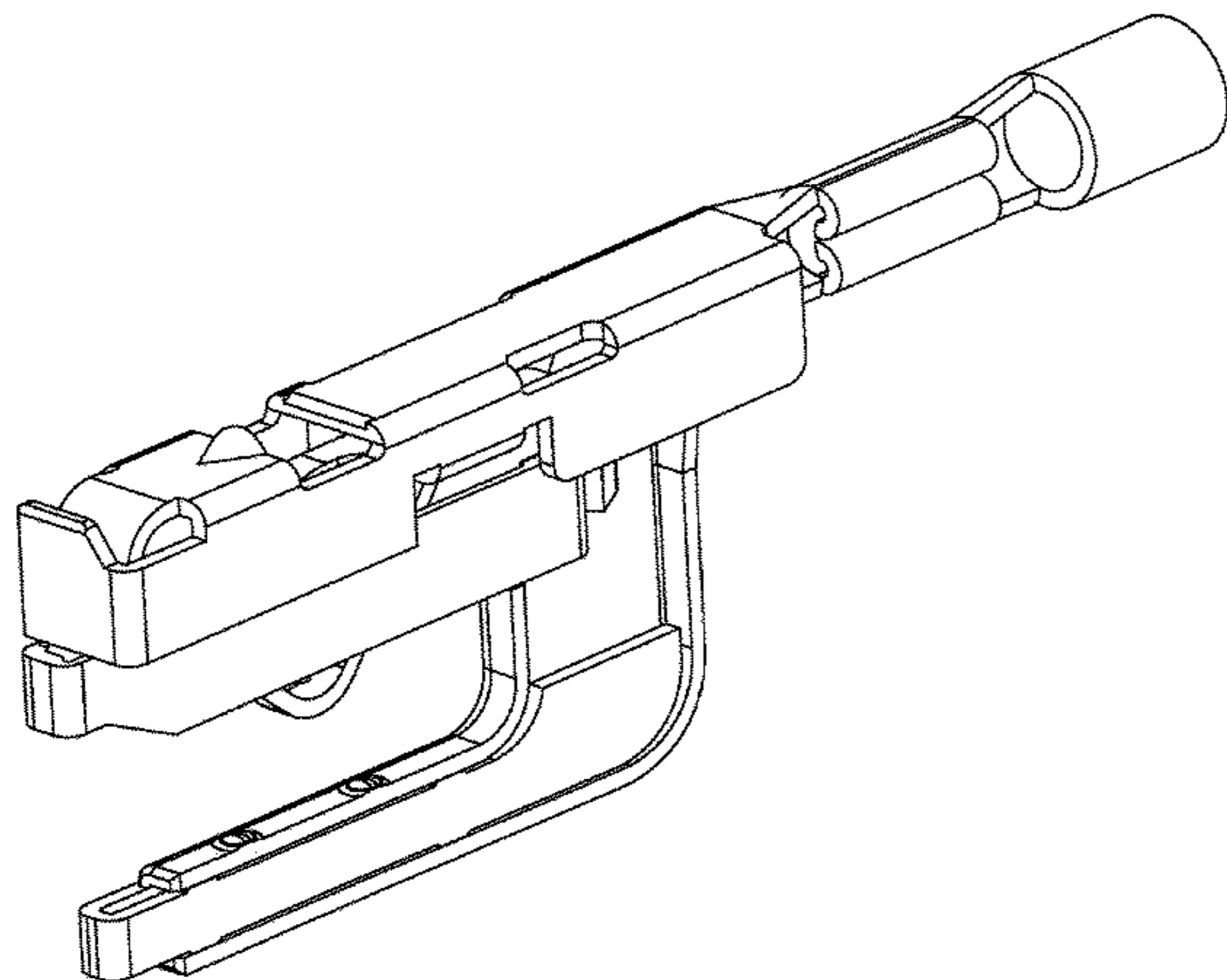
FIG. 5 is a top plan view thereof;

FIG. 6 is a bottom plan view thereof;

FIG. 7 is a right side elevation thereof; and,

FIG. 8 is a left side elevation thereof.

1 Claim, 8 Drawing Sheets



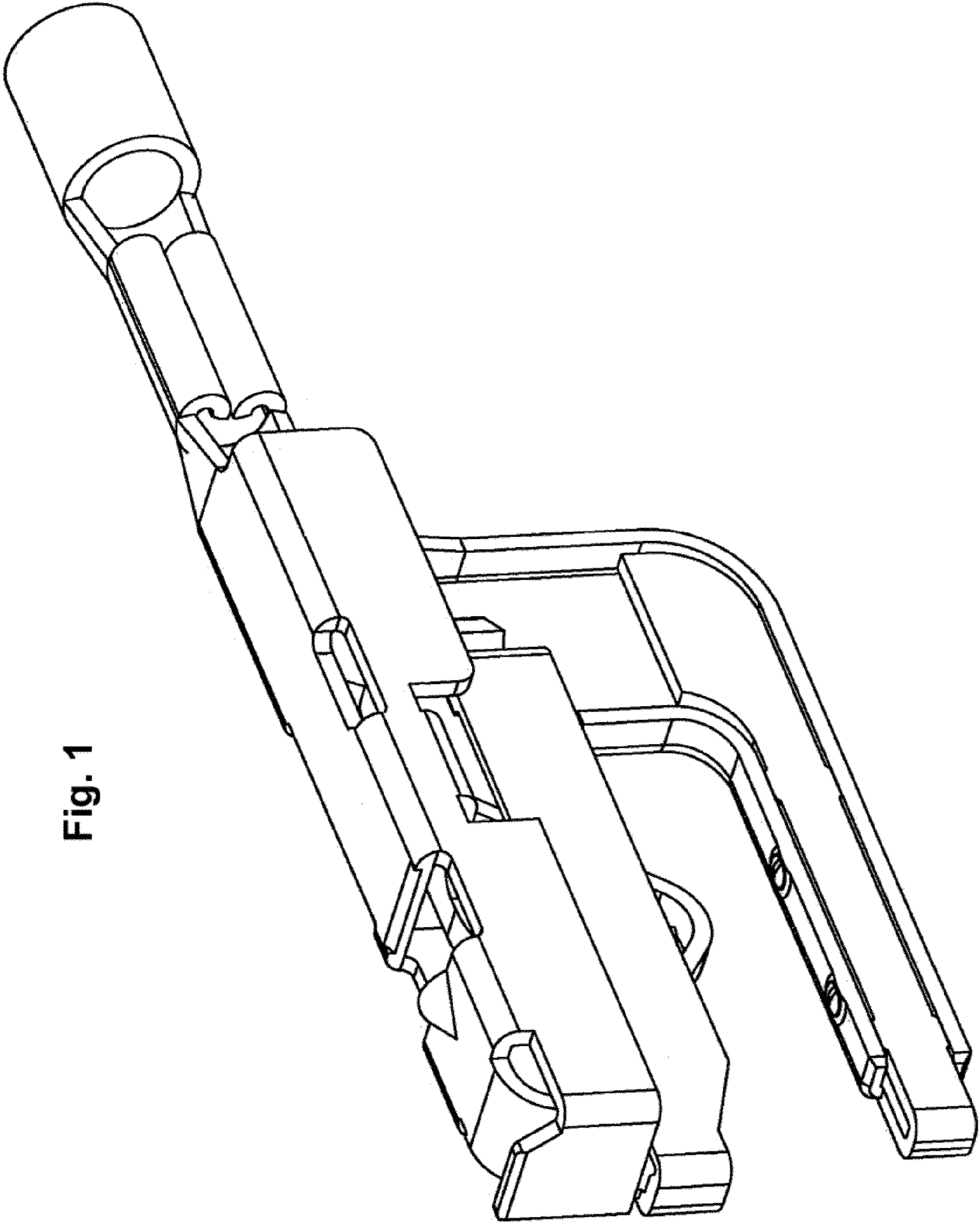


Fig. 1

Fig. 2

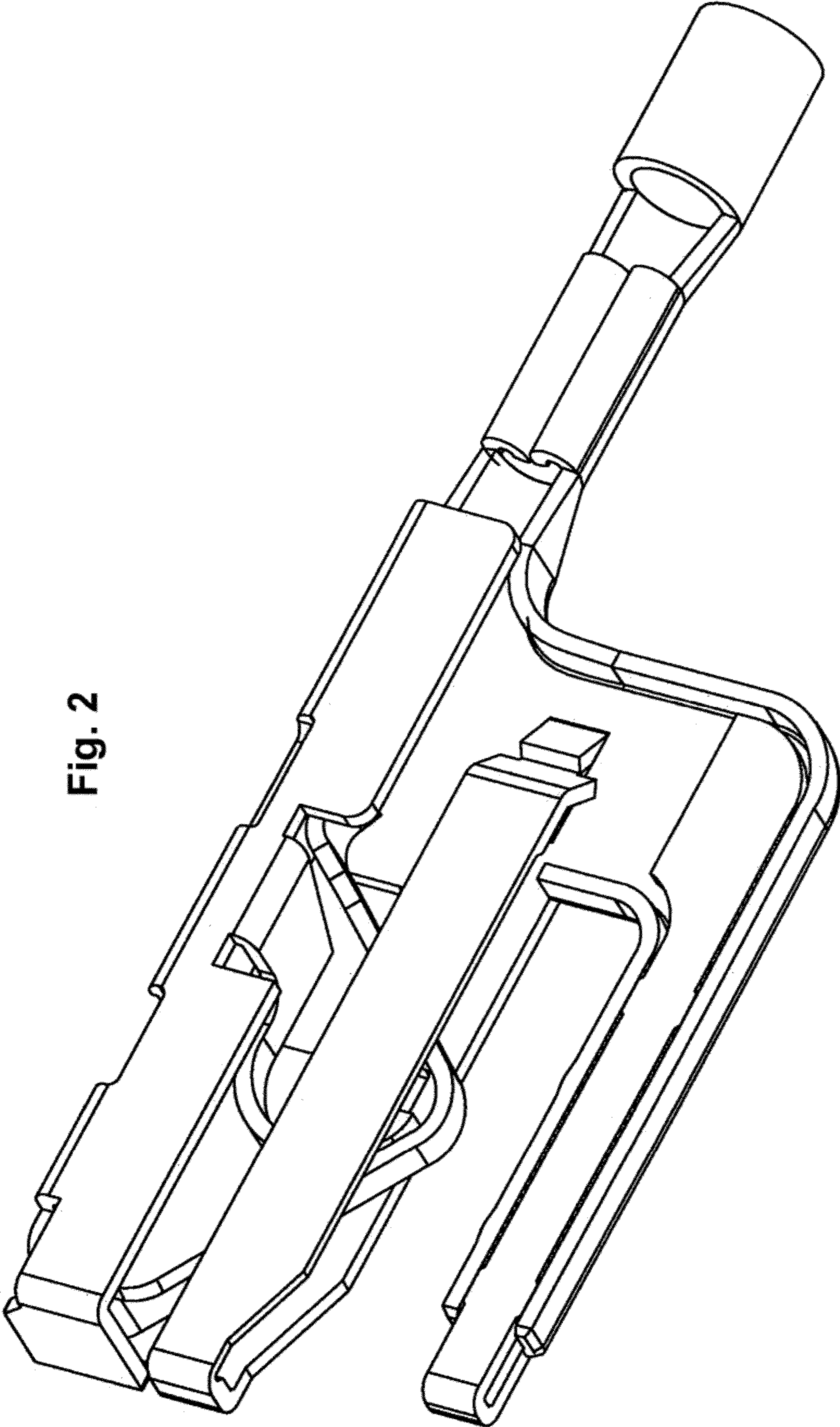


Fig. 3

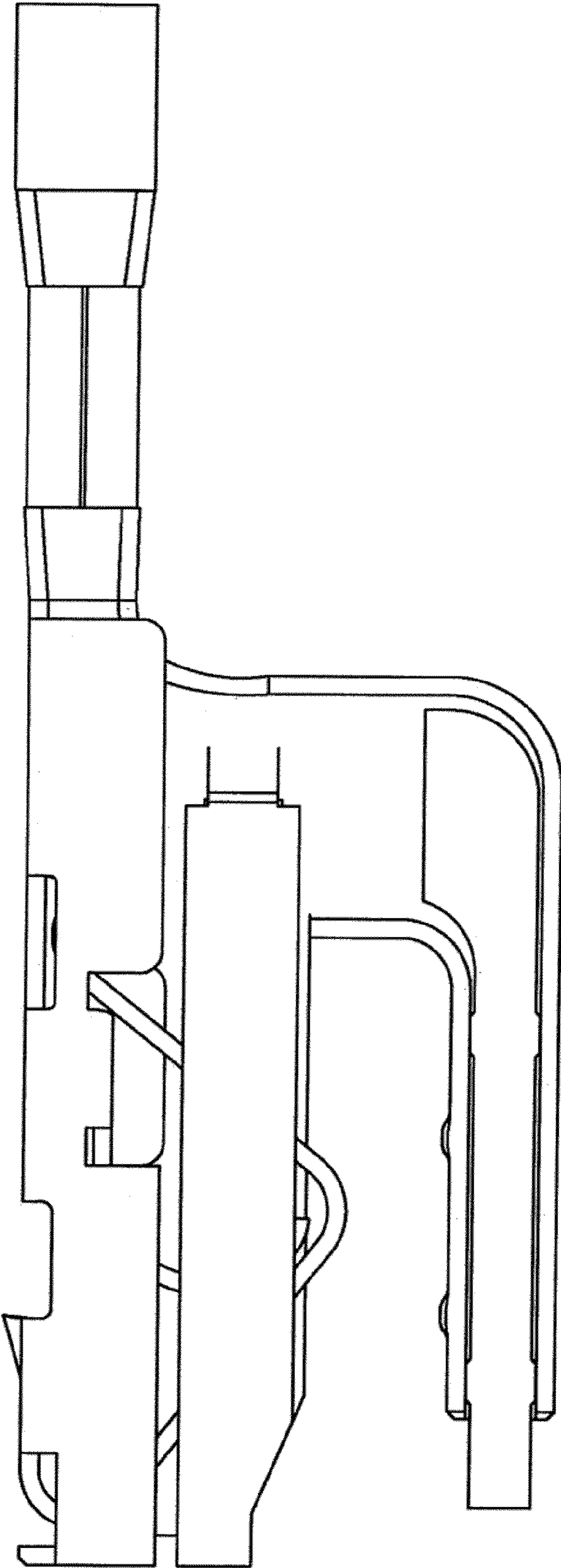
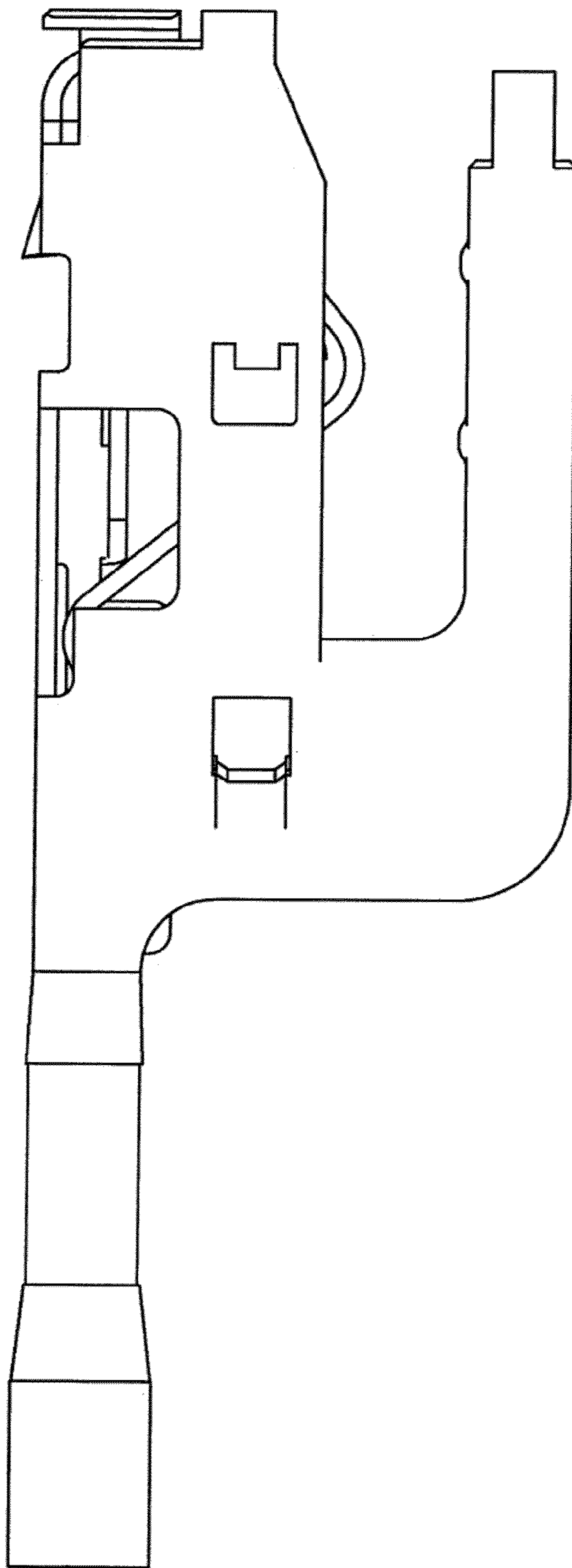


Fig. 4



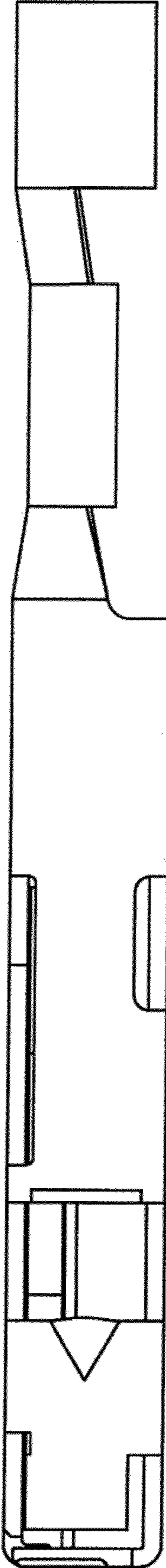


Fig. 5

Fig. 6

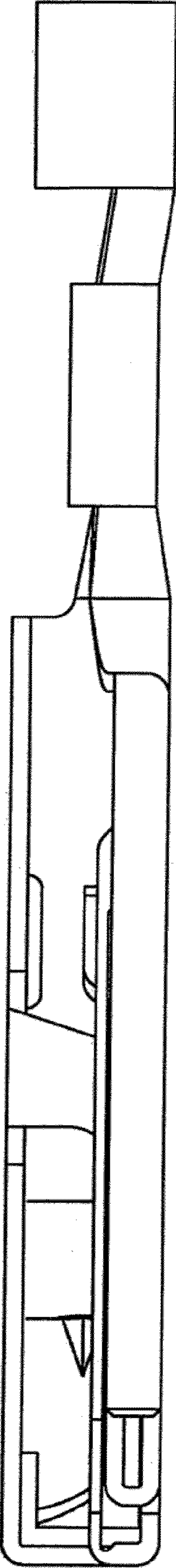


Fig. 7

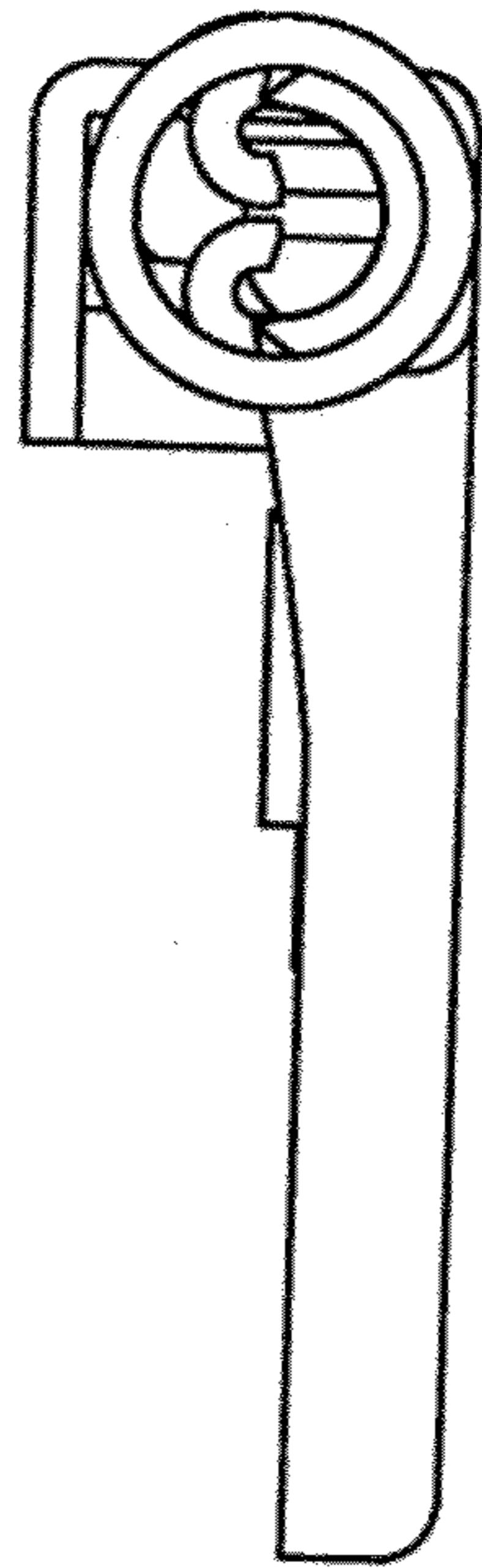


Fig. 8

