



US00D702189S

(12) **United States Design Patent**  
**Kagelmacher et al.**

(10) **Patent No.:** **US D702,189 S**

(45) **Date of Patent:** **\*\* Apr. 8, 2014**

- (54) **POWER COIL UNIVERSAL PLUG**
- (75) Inventors: **David R. Kagelmacher**, Upper Tantallon (CA); **David J. Levan**, North Collins, NY (US); **Jeffrey McKeown**, Wake Forest, NC (US)
- (73) Assignee: **Tectran Mfg. Inc.**, Buffalo, NY (US)
- (\*\*) Term: **14 Years**
- (21) Appl. No.: **29/401,779**
- (22) Filed: **Sep. 15, 2011**
- (51) **LOC (10) Cl.** ..... **13-03**
- (52) **U.S. Cl.**  
USPC ..... **D13/146**
- (58) **Field of Classification Search**  
USPC ..... D13/133, 146-147, 154, 184, 199;  
174/88 C; 439/314-315, 359, 362, 372,  
439/660, 682  
See application file for complete search history.

- D308,511 S \* 6/1990 Makita et al. .... D13/146
- D310,996 S \* 10/1990 Inaba et al. .... D13/146
- D317,290 S \* 6/1991 Inaba et al. .... D13/146
- D328,281 S \* 7/1992 Nociar ..... D13/146
- D644,609 S \* 9/2011 Marroquin ..... D13/147
- D649,939 S \* 12/2011 Erickson et al. .... D13/147

\* cited by examiner

*Primary Examiner* — Daniel Bui  
(74) *Attorney, Agent, or Firm* — Phillips Lytle LLP

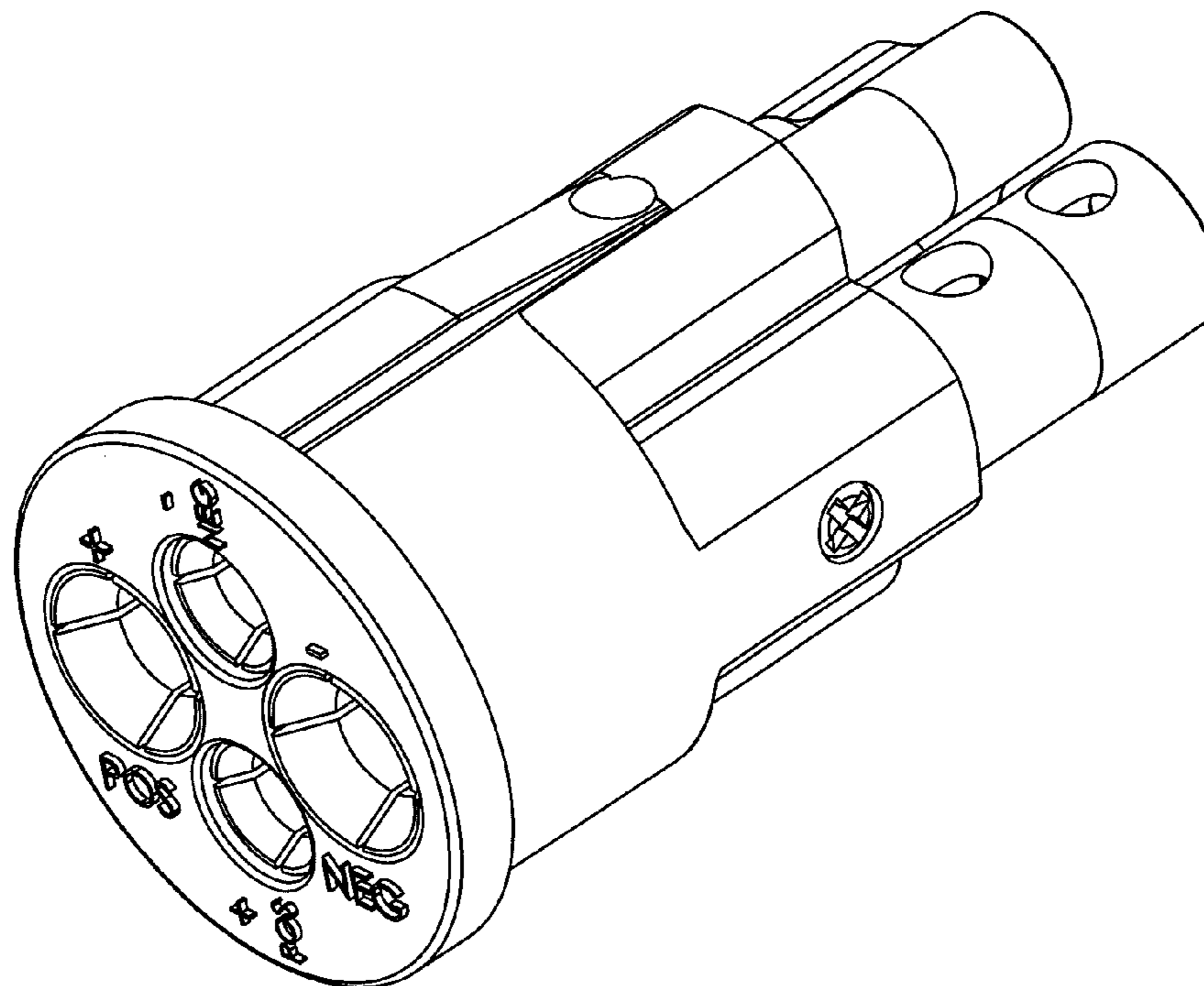
(57) **CLAIM**  
Applicants claim the ornamental design for a power coil universal plug, as shown and described.

**DESCRIPTION**

FIG. 1 is a top perspective view of a power coil universal plug showing our new design.  
FIG. 2 is a left side elevation thereof.  
FIG. 3 is a right side elevation thereof.  
FIG. 4 is a top plan view thereof.  
FIG. 5 is a bottom plan view thereof.  
FIG. 6 is a front elevation view thereof; and,  
FIG. 7 is a rear elevation view thereof.  
The broken line in FIG. 7 is included for the purpose of illustrating unclaimed environment only and forms no part of the claimed design.

- (56) **References Cited**  
U.S. PATENT DOCUMENTS  
D235,552 S \* 6/1975 Derr ..... D13/146  
D252,082 S \* 6/1979 Voelkert ..... D13/146

**1 Claim, 3 Drawing Sheets**



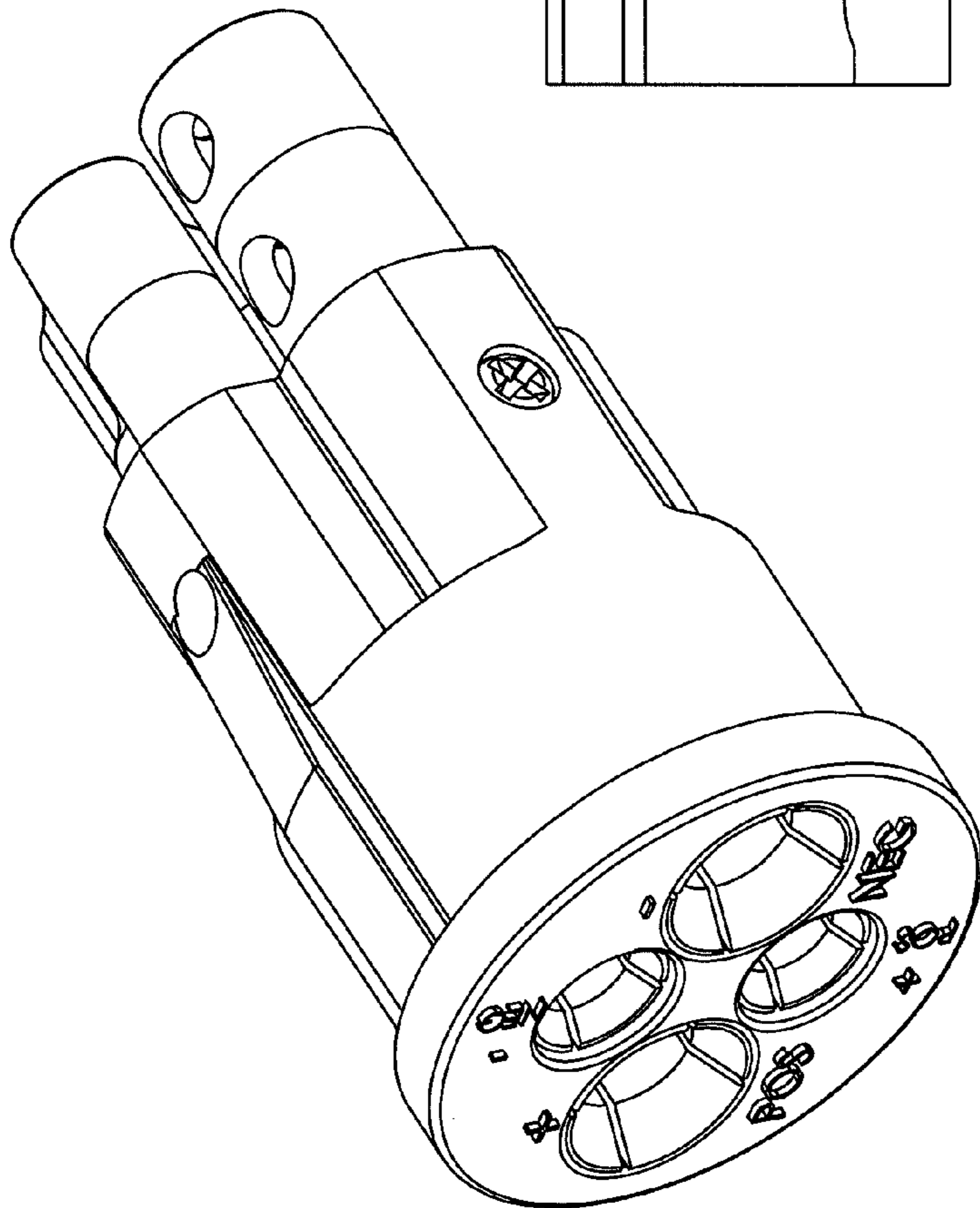


FIG. 1

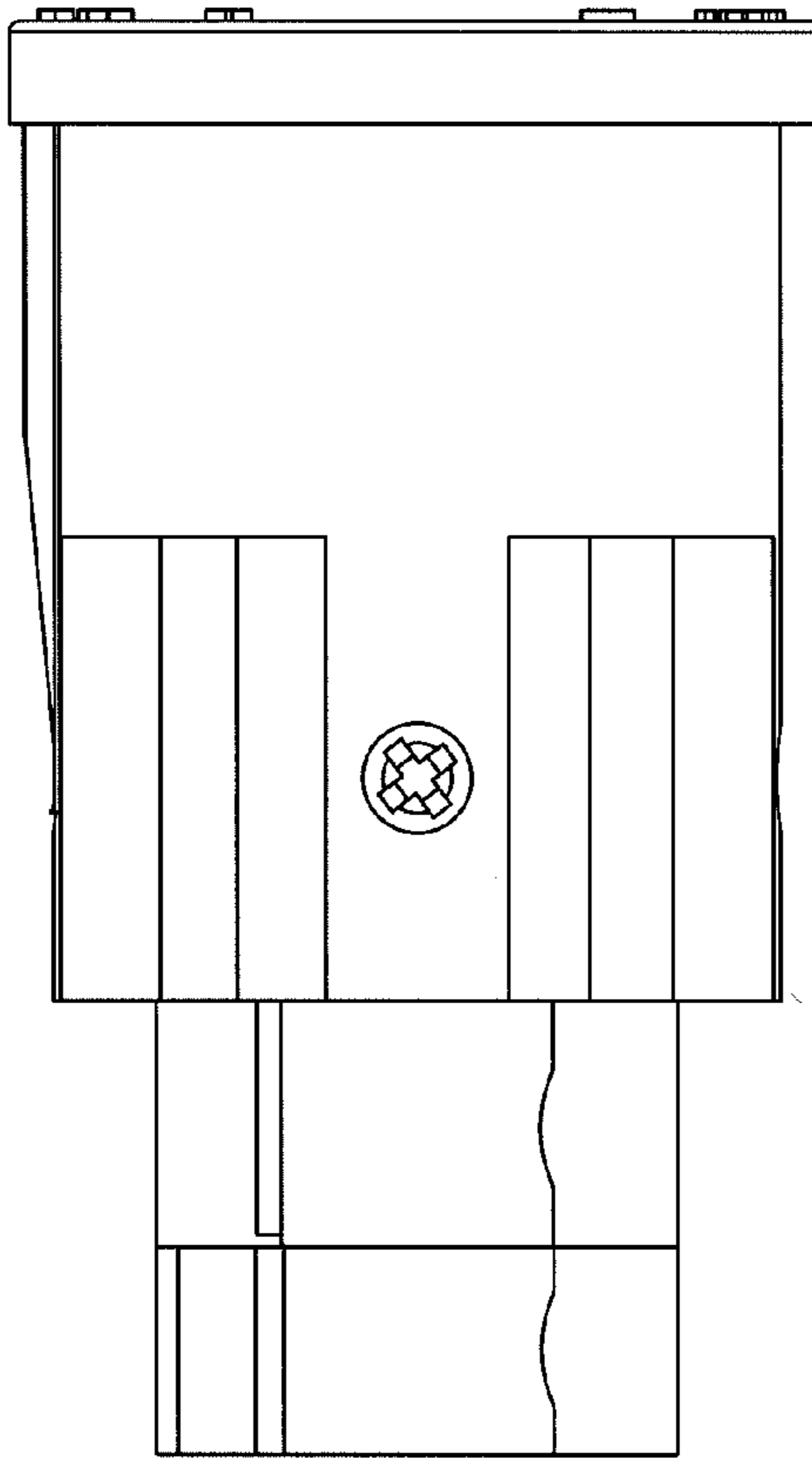


FIG. 2

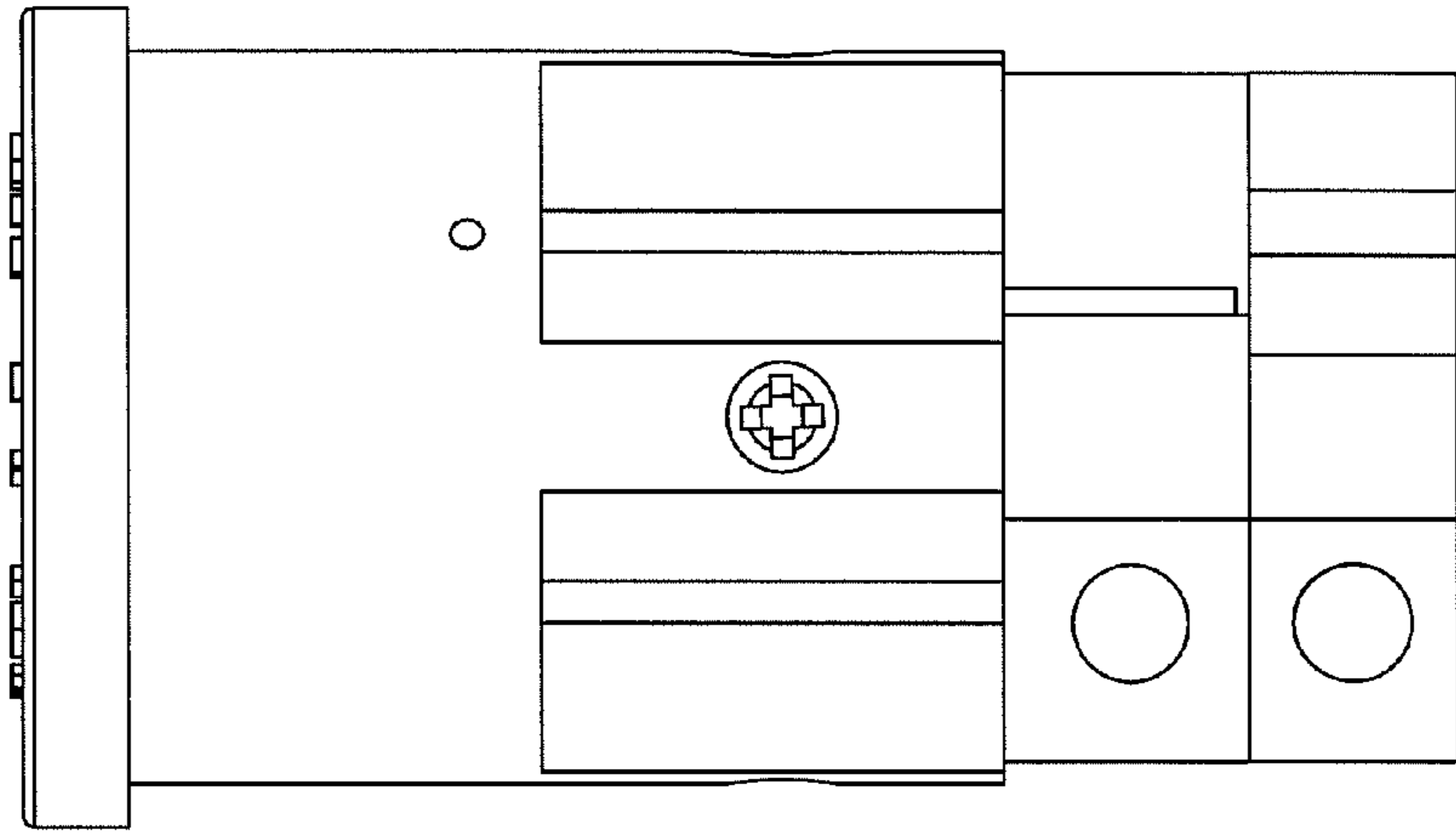


FIG. 5

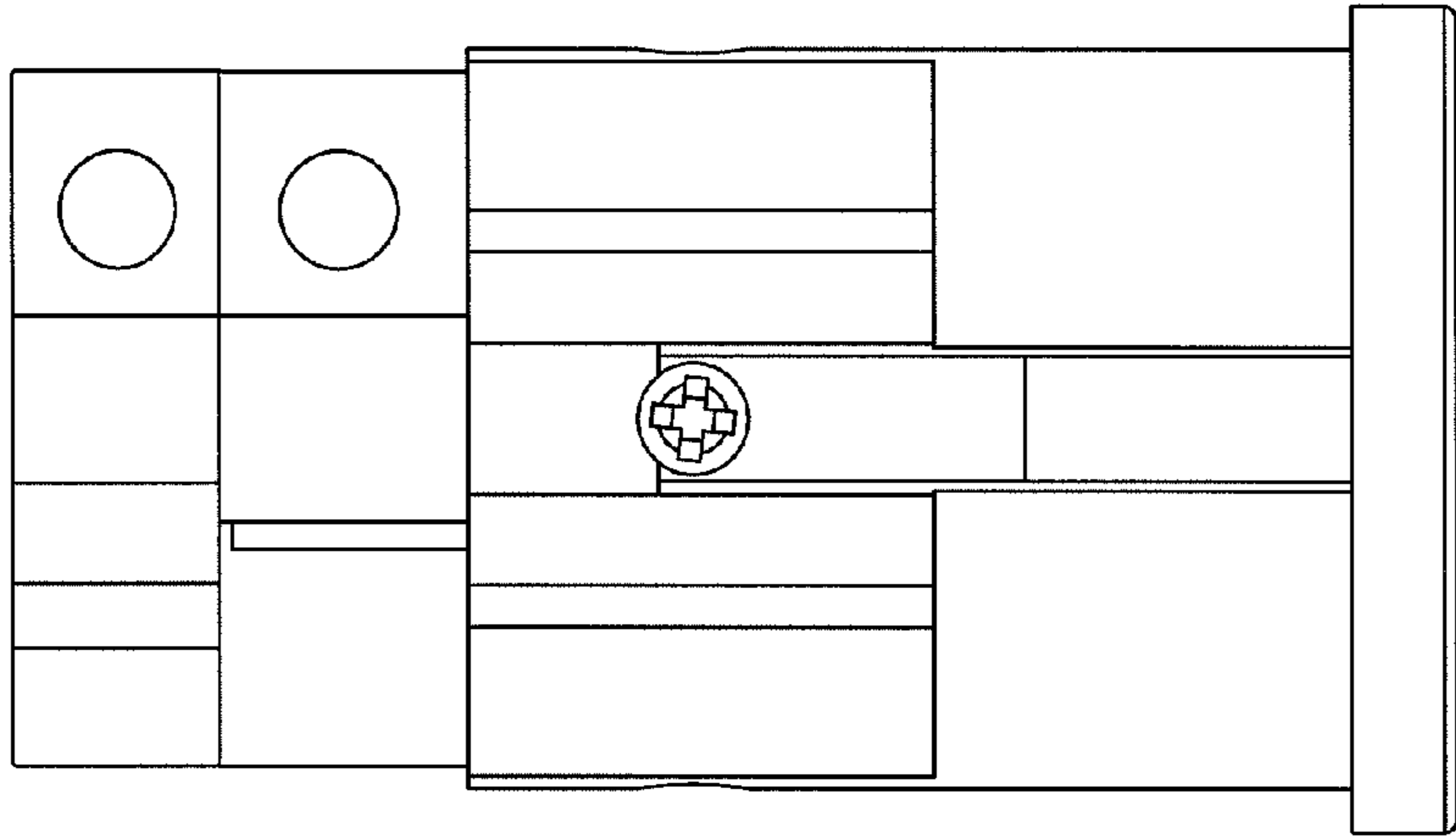


FIG. 4

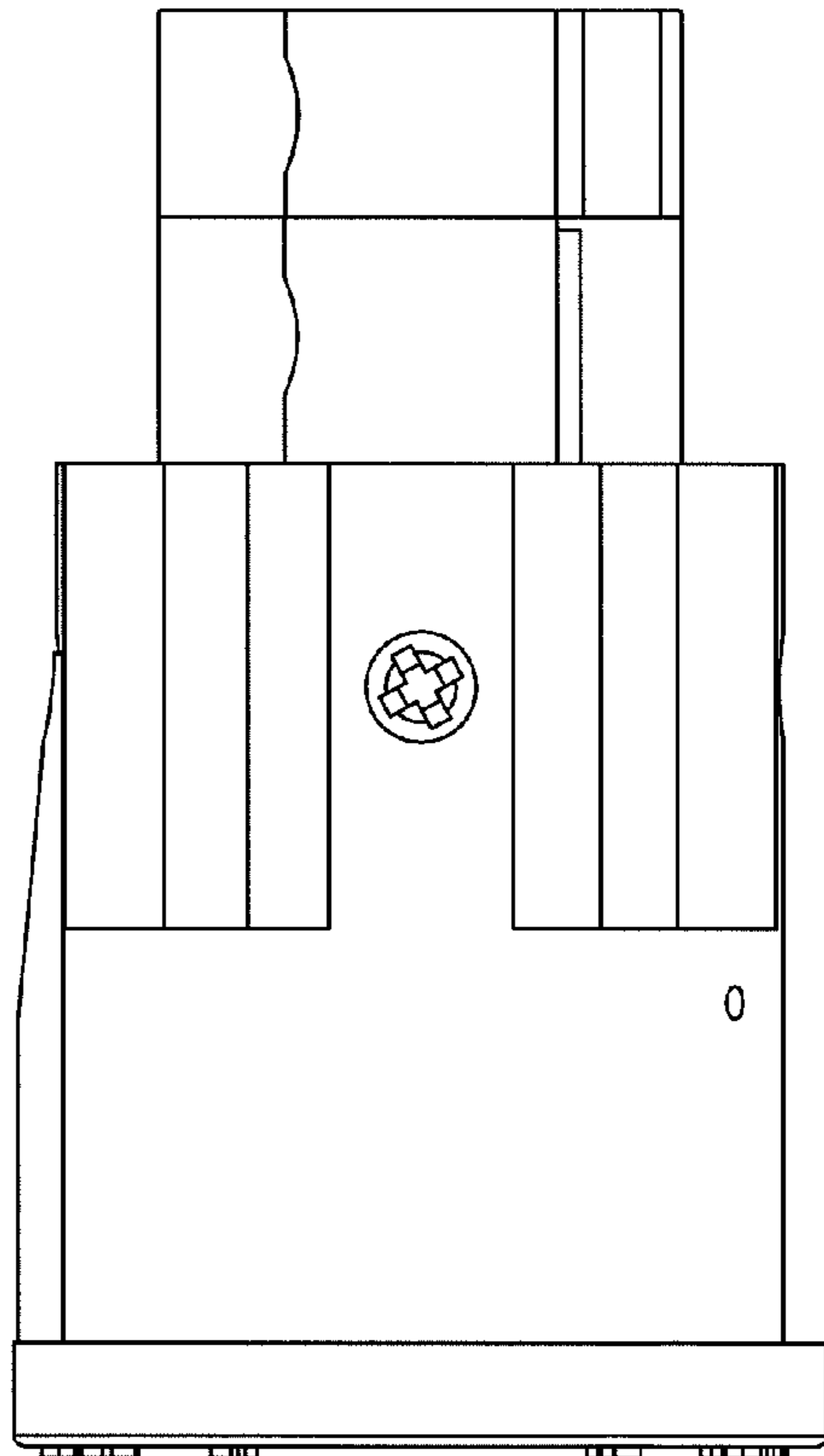


FIG. 3

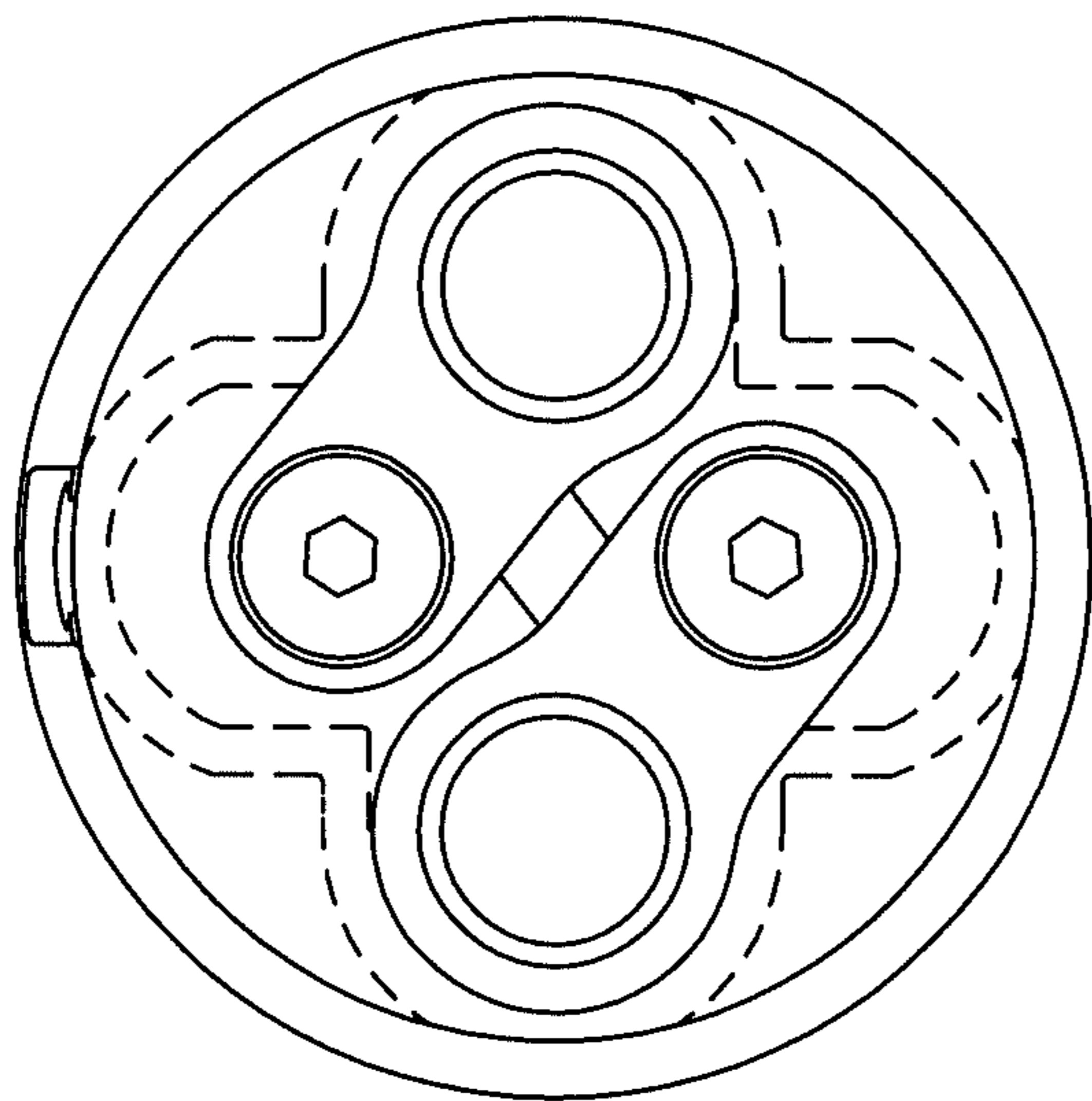


FIG. 7

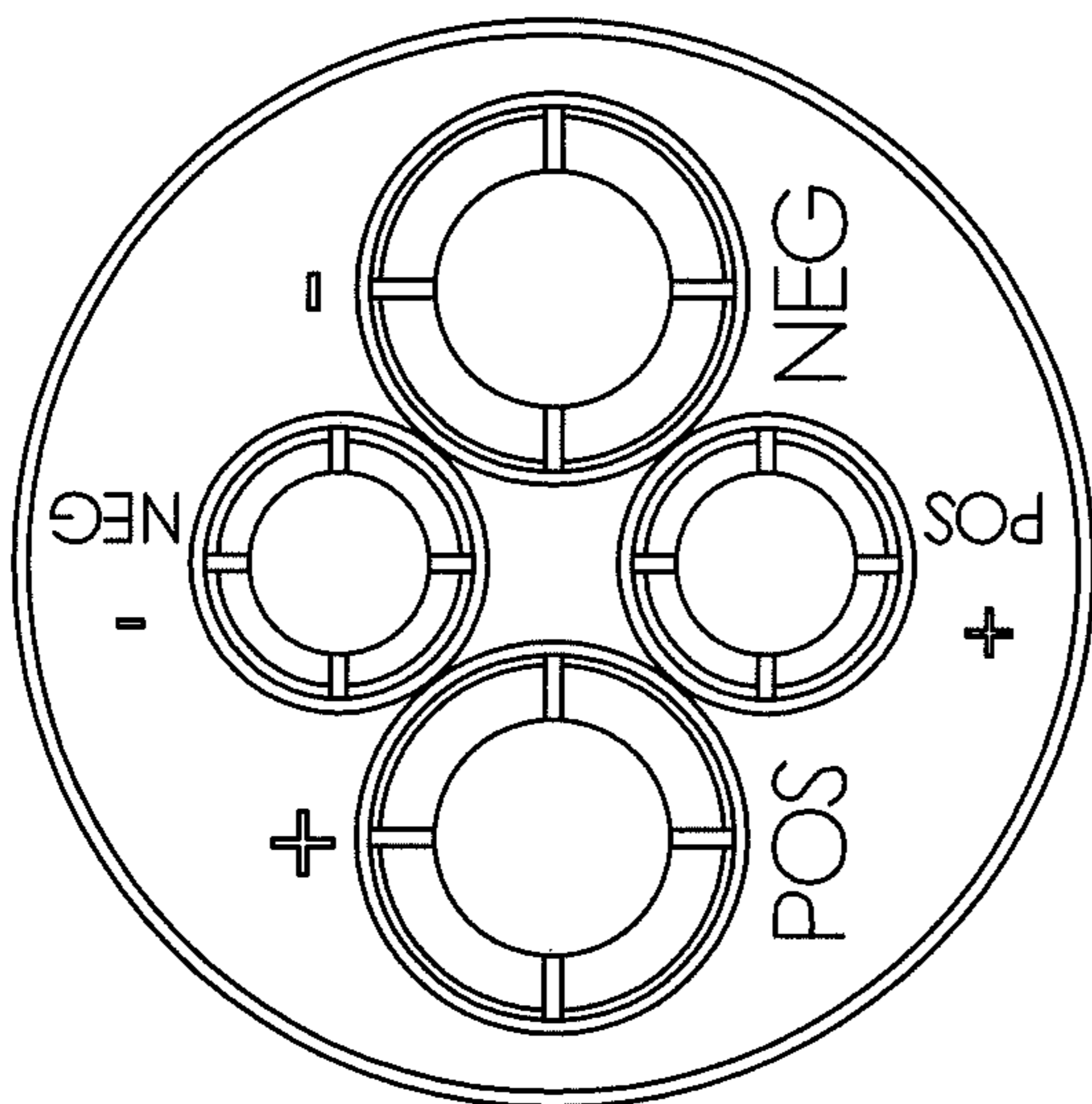


FIG. 6