

US00D702186S

(12) **United States Design Patent**
Müller et al.

(10) **Patent No.:** **US D702,186 S**

(45) **Date of Patent:** **** Apr. 8, 2014**

(54) **CONNECTOR PLUG**

(71) Applicant: **Phoenix Contact GmbH & Co. KG,**
Blomberg (DE)

(72) Inventors: **Gerwin Müller,** Kiel (DE); **Marco Seelig,** Leopoldshohe (DE); **Ralf Bungenstock,** Blomberg (DE)

(73) Assignee: **Phoenix Contact GmbH & Co. KG,**
Blomberg (DE)

(**) Term: **14 Years**

(21) Appl. No.: **29/433,133**

(22) Filed: **Sep. 26, 2012**

(30) **Foreign Application Priority Data**

Mar. 29, 2012 (EM) 002 017 418 0001

(51) **LOC (10) Cl.** **13-03**

(52) **U.S. Cl.**
USPC **D13/133; D13/146**

(58) **Field of Classification Search**
USPC D13/107-109, 118-119, 133, 146, 147,
D13/154, 184, 199; 320/104, 107-115,
320/FOR. 104, FOR. 119, DIG. 35

See application file for complete search history.

(56) **References Cited**

U.S. PATENT DOCUMENTS

5,536,173	A *	7/1996	Fujitani et al.	439/34
5,614,808	A *	3/1997	Konoya et al.	320/109
5,627,448	A *	5/1997	Okada et al.	439/133
D608,737	S *	1/2010	Upham et al.	D13/147
D620,453	S *	7/2010	Corless et al.	D13/154
D673,122	S *	12/2012	Huss et al.	D13/146
D675,570	S *	2/2013	Muller	D13/147
D675,989	S *	2/2013	Sebald et al.	D13/146

* cited by examiner

Primary Examiner — Daniel Bui

(74) *Attorney, Agent, or Firm* — Woodard, Emhardt,
Moriarty, McNett & Henry LLP

(57) **CLAIM**

The ornamental design for a connector plug, as shown and described.

DESCRIPTION

FIG. 1 is a top view of a connector plug showing our new design.

FIG. 2 is a perspective view thereof.

FIG. 3 is a bottom view thereof.

FIG. 4 is a first end view thereof.

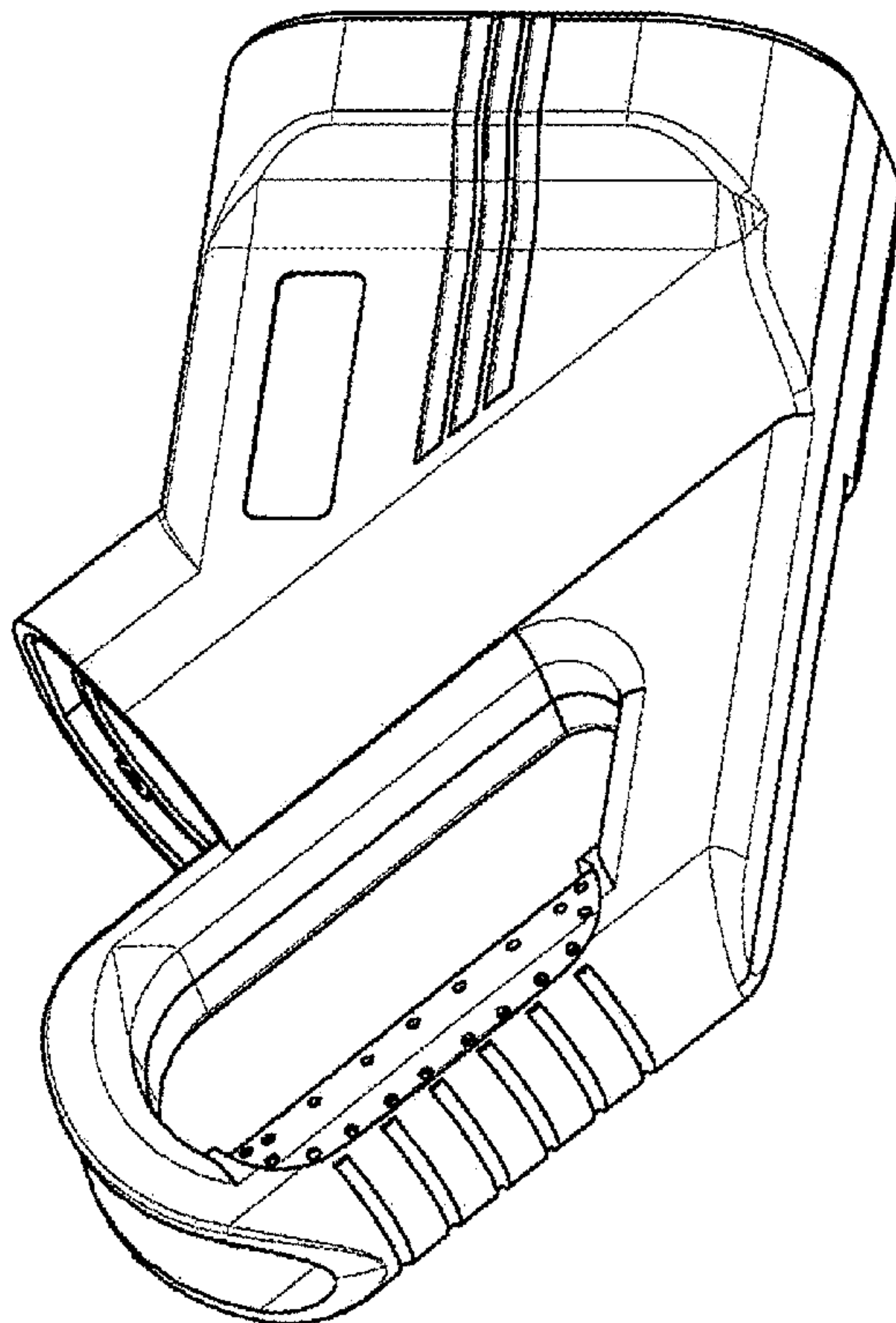
FIG. 5 is a first side view thereof.

FIG. 6 is a second end view thereof; and,

FIG. 7 is a second side view thereof.

The broken lines in the figure drawing views are included to illustrate unclaimed environment only and form no part of the design.

1 Claim, 7 Drawing Sheets



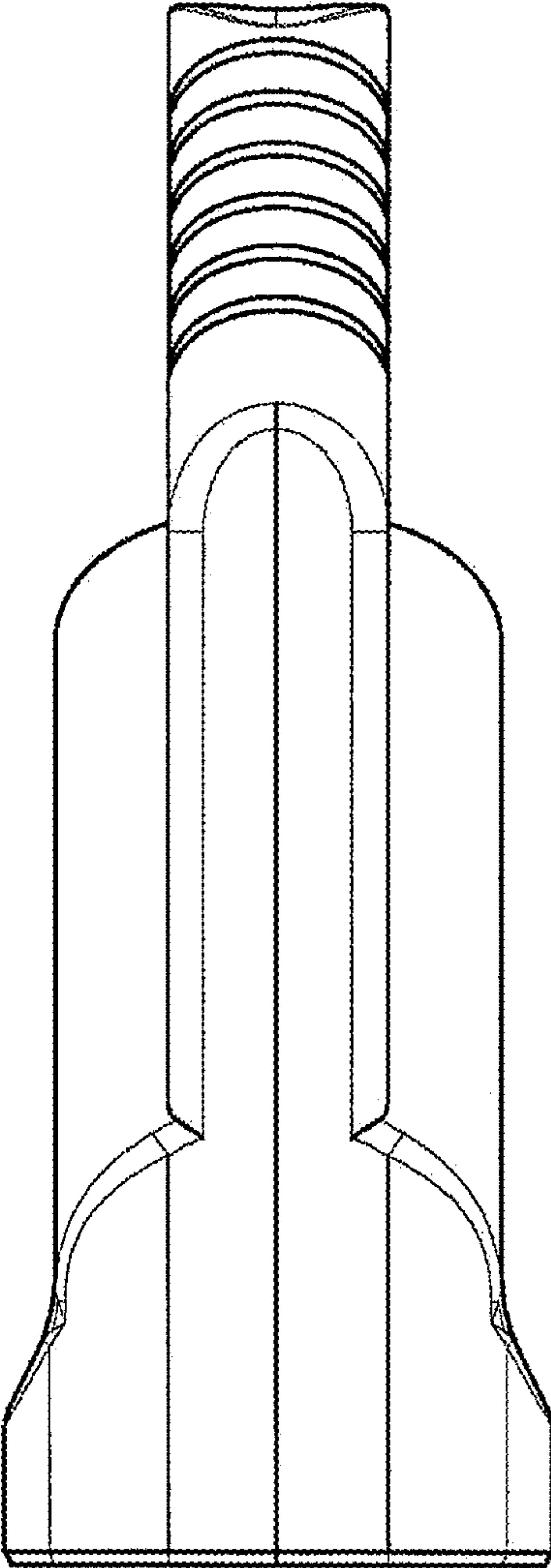


FIG. 1

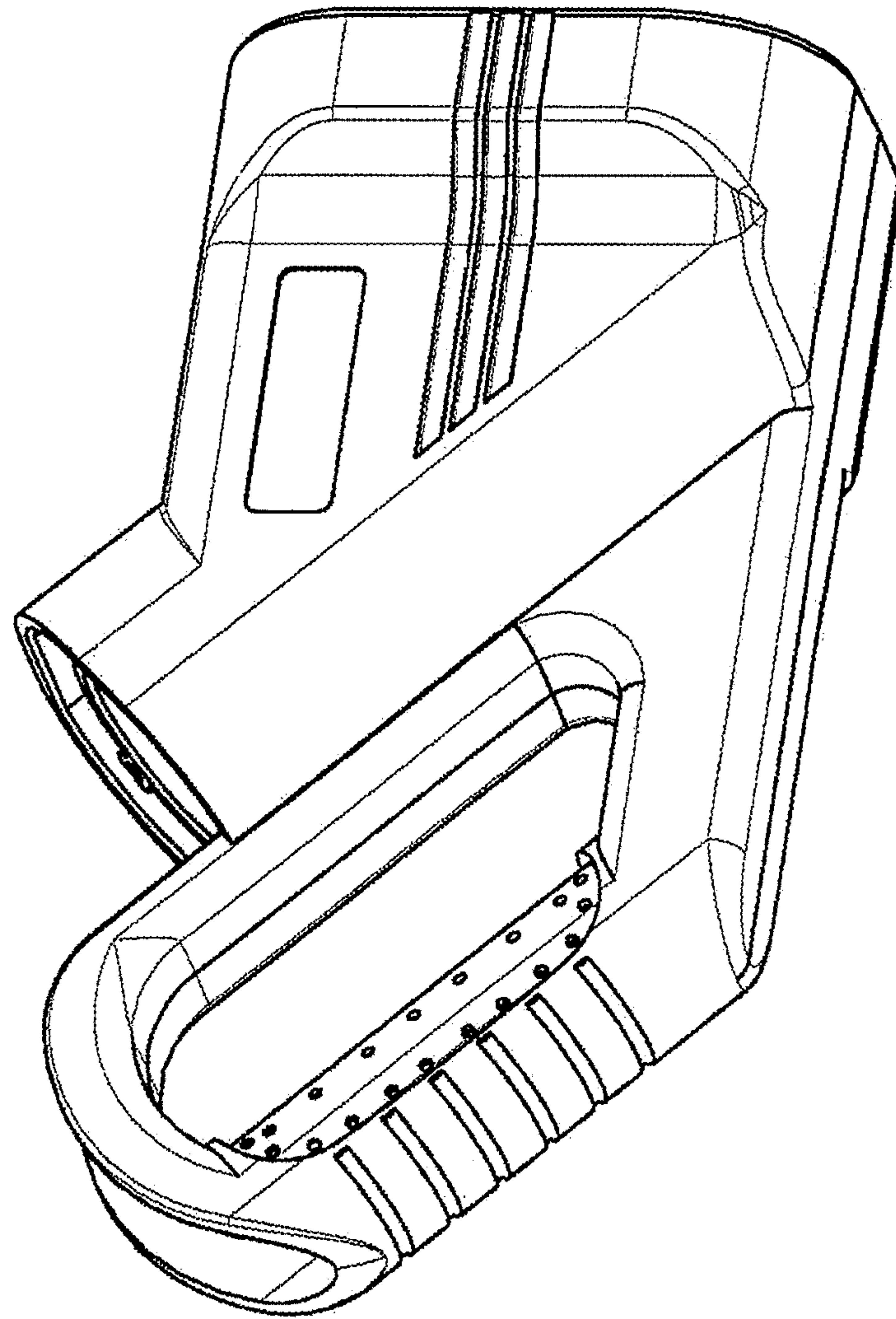


FIG. 2

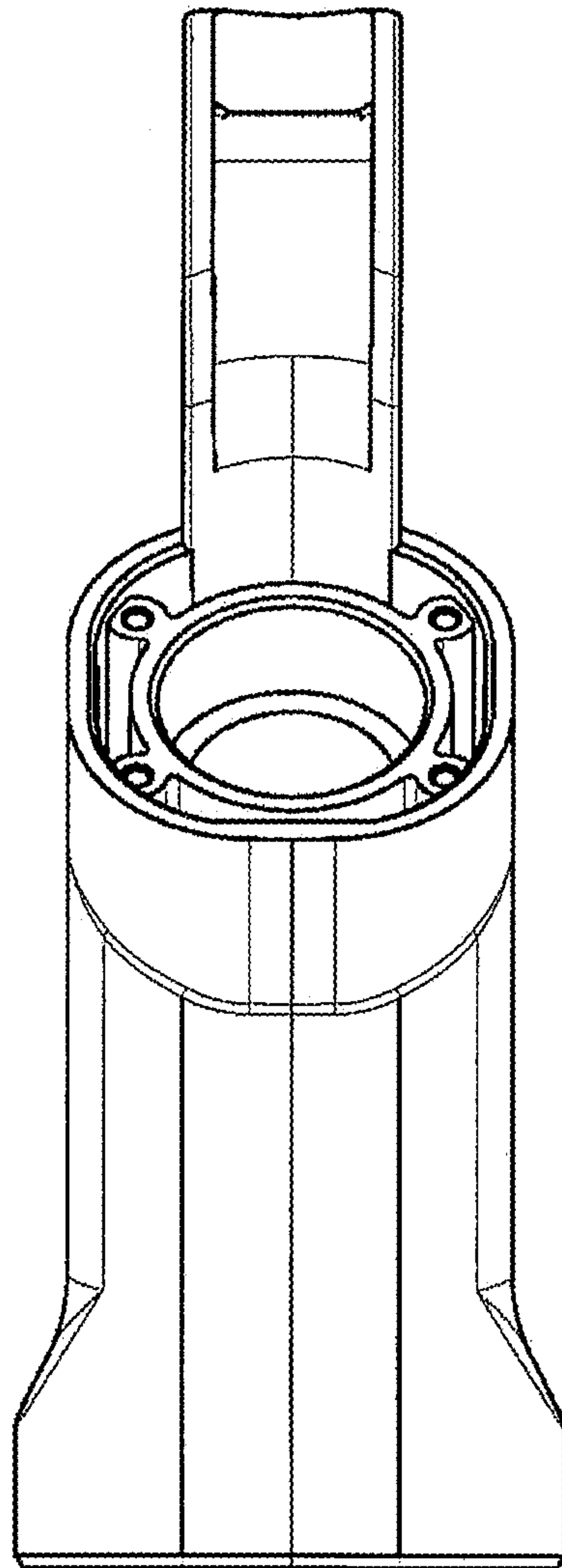


FIG. 3

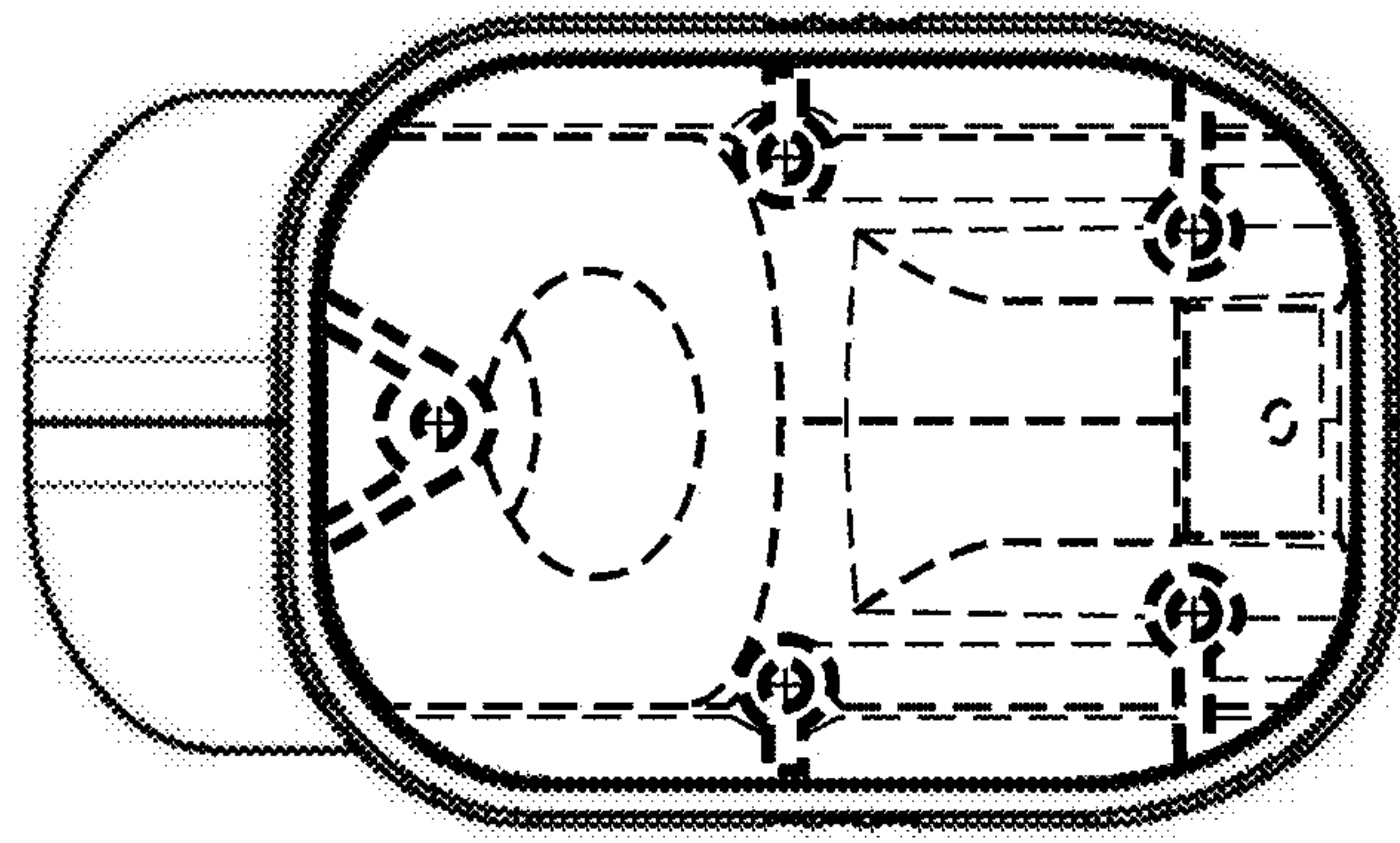


FIG. 4

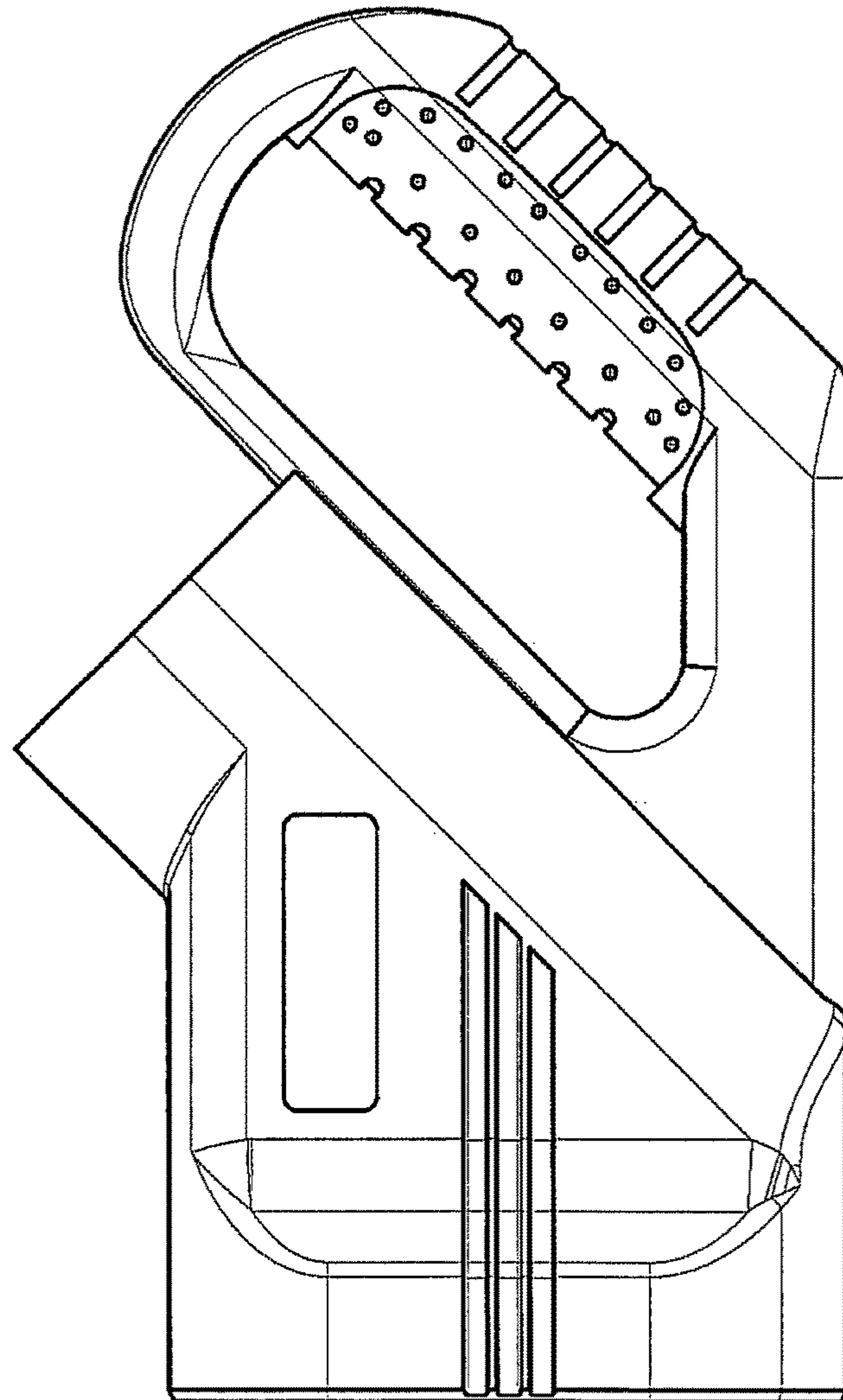


FIG. 5

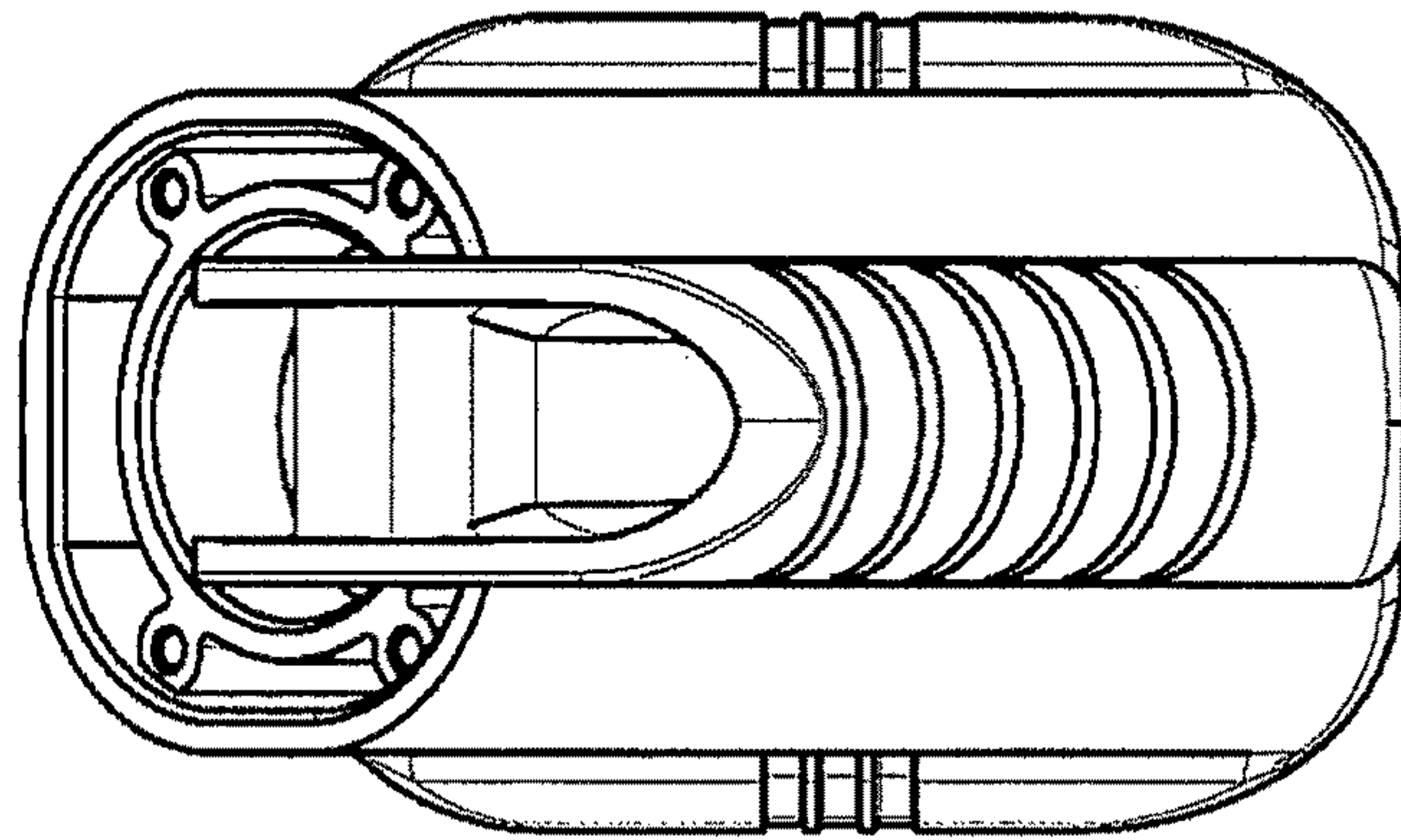


FIG. 6

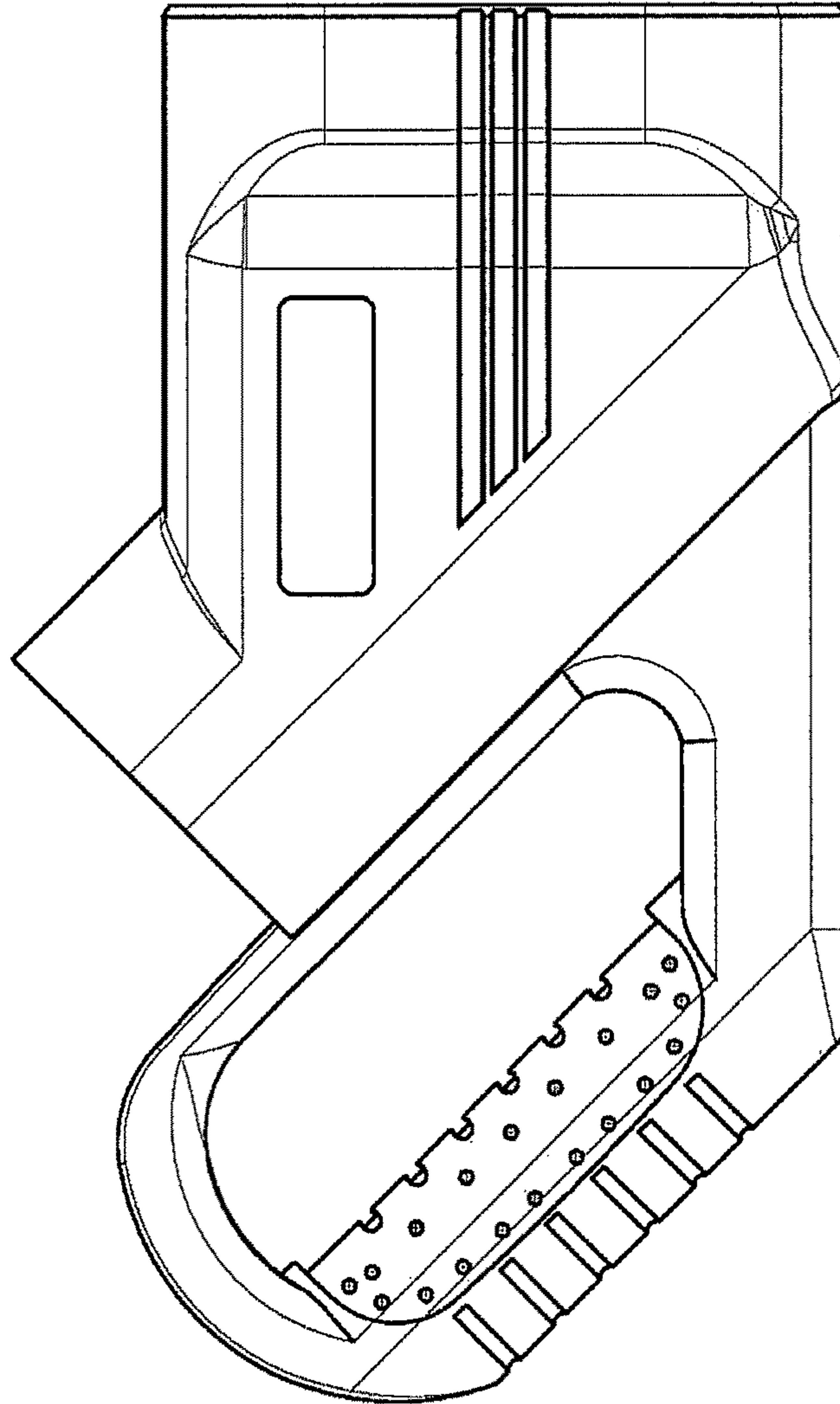


FIG. 7