



US00D702185S

(12) **United States Design Patent**
Yata et al.

(10) **Patent No.:** **US D702,185 S**

(45) **Date of Patent:** **** Apr. 8, 2014**

(54) **POWER SUPPLY ADAPTER**

(56) **References Cited**

(71) Applicant: **Nintendo Co., Ltd.**, Kyoto (JP)

U.S. PATENT DOCUMENTS

(72) Inventors: **Hidekazu Yata**, Kyoto (JP); **Sadayoshi Hattori**, Kyoto (JP); **Tomoki Narita**, Kyoto (JP); **Kenichiro Ashida**, Kyoto (JP); **Masato Ibuki**, Kyoto (JP); **Shinji Yamamoto**, Kyoto (JP); **Fumiyoshi Suetake**, Kyoto (JP); **Akiko Suga**, Kyoto (JP); **Naoya Yamamoto**, Kyoto (JP); **Hitoshi Tsuchiya**, Kyoto (JP)

5,613,863	A	*	3/1997	Klaus et al.	439/131
D463,426	S	*	9/2002	Cheng	D14/480.1
D484,853	S	*	1/2004	Alviar	D13/110
D503,679	S	*	4/2005	Andre et al.	D13/110
D615,556	S	*	5/2010	Yeo et al.	D14/496
D642,585	S	*	8/2011	Lan et al.	D14/480.5
D660,229	S	*	5/2012	Tseng	D13/110
D671,488	S	*	11/2012	Ashida et al.	D13/110
D693,299	S	*	11/2013	Zaslavsky et al.	D13/110

(73) Assignee: **Nintendo Co., Ltd.**, Kyoto (JP)

Nintendo website—"Wii U GamePad AC", <http://www.nintendo.co.jp/wiiu/direct20121107/index.html>, Nov. 7, 2012, 1 page.

(**) Term: **14 Years**

* cited by examiner

(21) Appl. No.: **29/455,022**

Primary Examiner — Derrick Holland

(22) Filed: **May 16, 2013**

(74) *Attorney, Agent, or Firm* — Nixon & Vanderhye, P.C.

(30) **Foreign Application Priority Data**

(57) **CLAIM**

The ornamental design for a power supply adapter, as shown.

Nov. 16, 2012 (JP) 2012-028116

DESCRIPTION

(51) **LOC (10) Cl.** **13-02**

(52) **U.S. Cl.**

USPC **D13/110**

(58) **Field of Classification Search**

USPC D13/110, 107, 108, 123, 133, 137.1, D13/199; 174/53, 54, 59, 61; 307/150, 151; 320/111, 114; 363/140, 142, 143, 146; 439/105, 166, 171-173, 218, 518, 692, 439/956; D14/239, 240, 242, 357, 358, D14/496, 507, 511

FIG. 1 is a front view of a power supply adapter showing our new design;
FIG. 2 is a top plan view thereof;
FIG. 3 is a rear view thereof;
FIG. 4 is a bottom plan view thereof;
FIG. 5 is a right side view thereof;
FIG. 6 is a left side view thereof;
FIG. 7 is a front perspective view thereof; and,
FIG. 8 is a rear perspective view thereof.

See application file for complete search history.

1 Claim, 3 Drawing Sheets

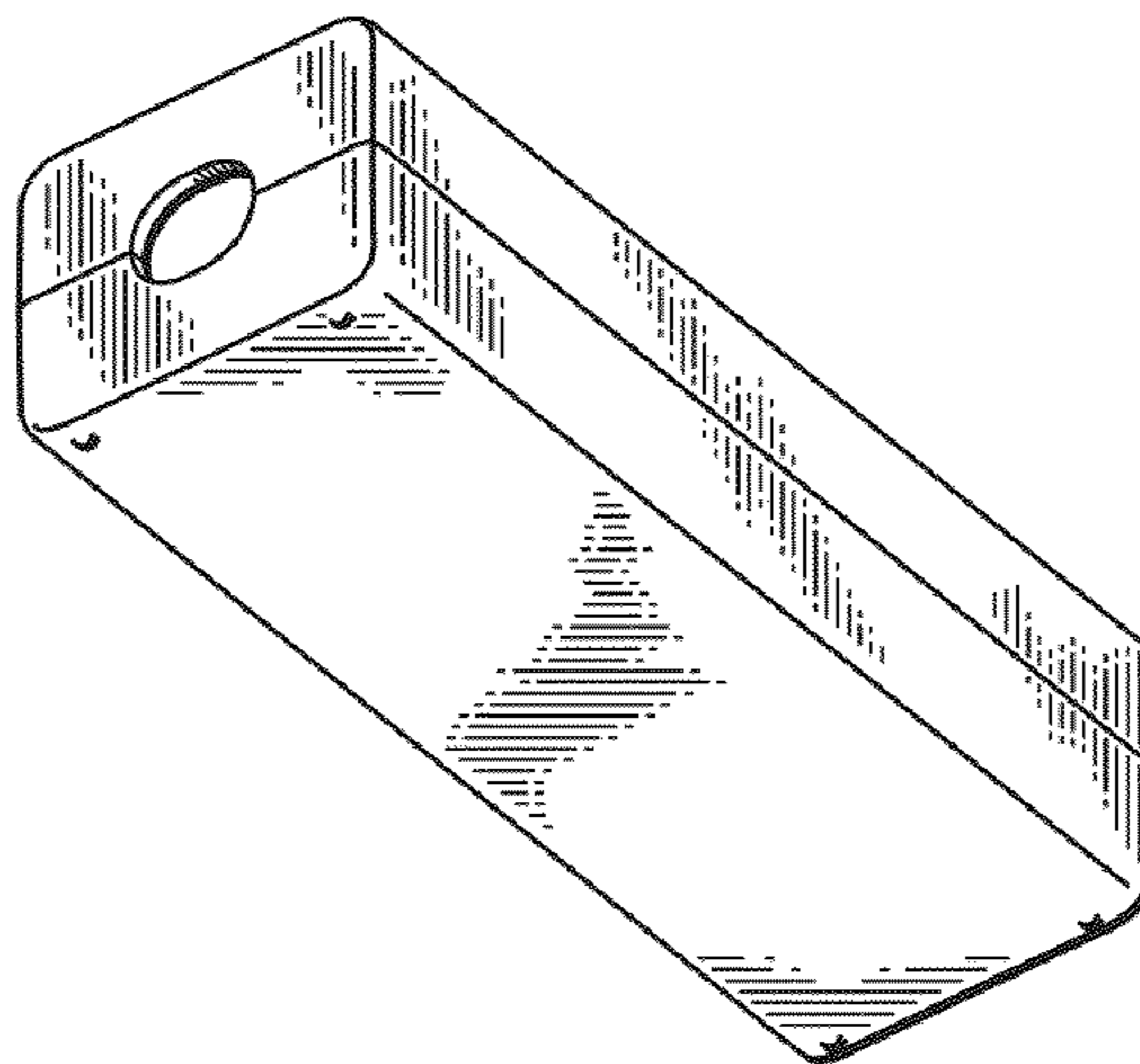


FIG.1

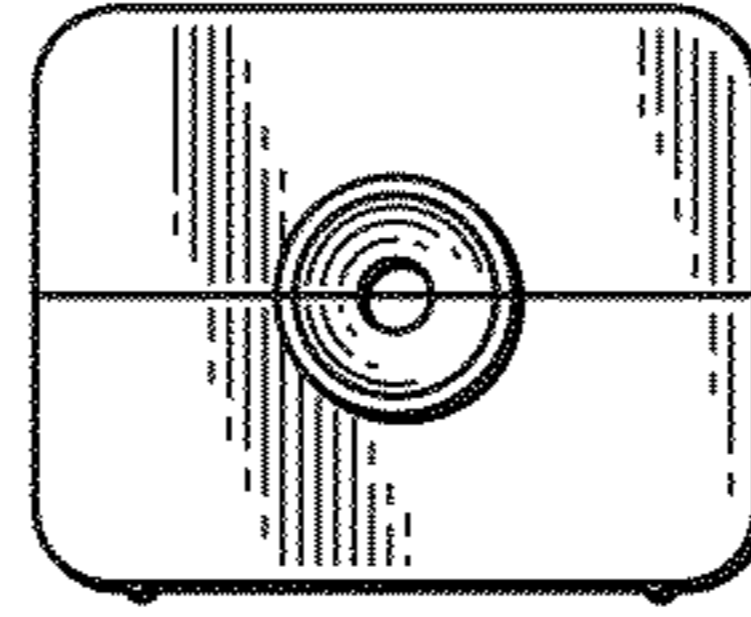


FIG.2

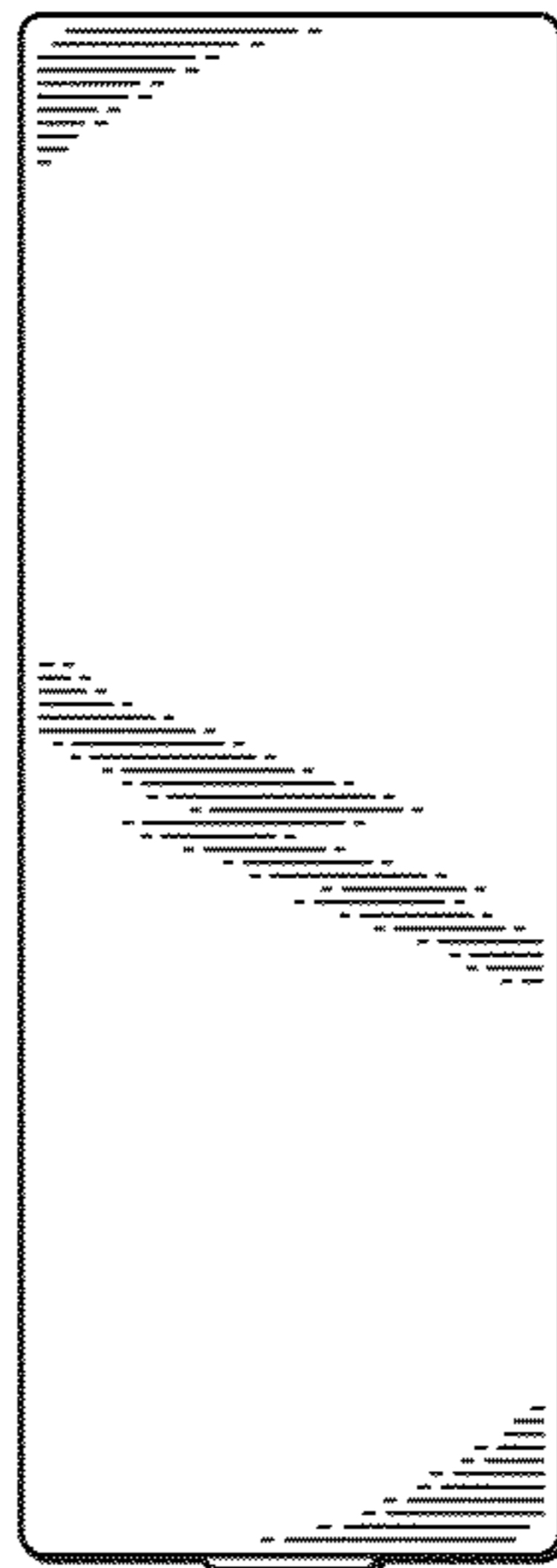


FIG.3

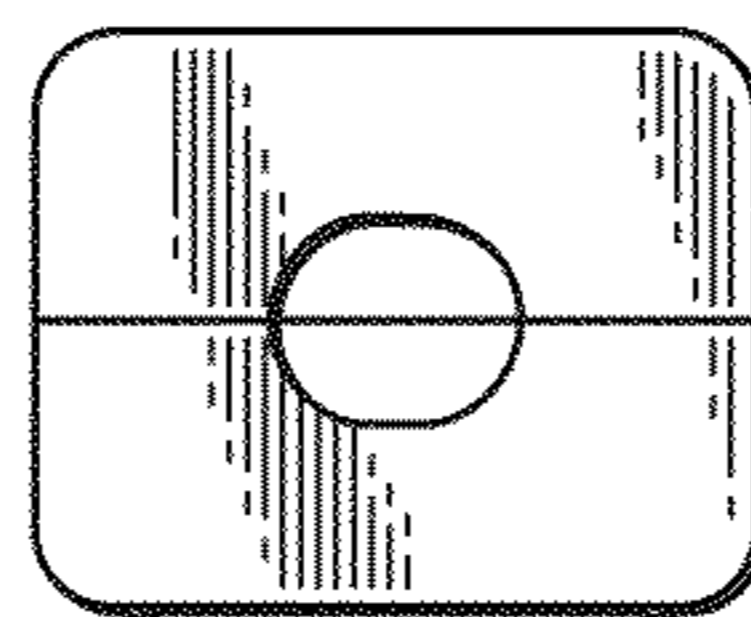


FIG.4

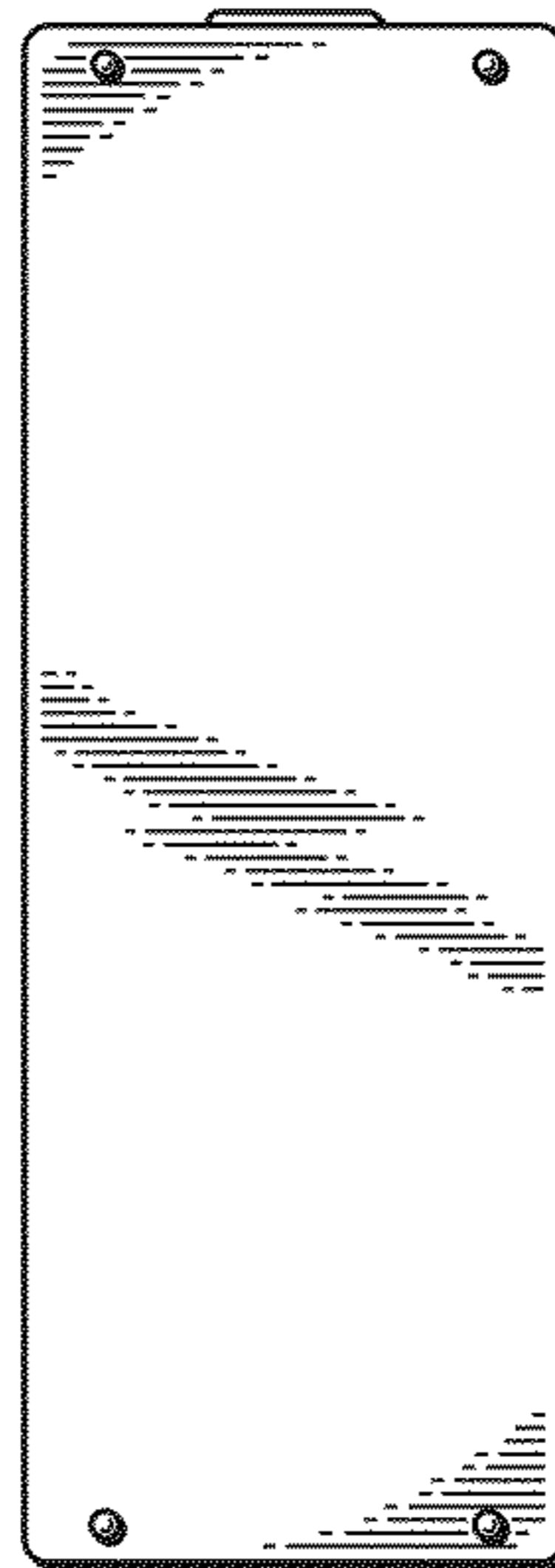


FIG.5

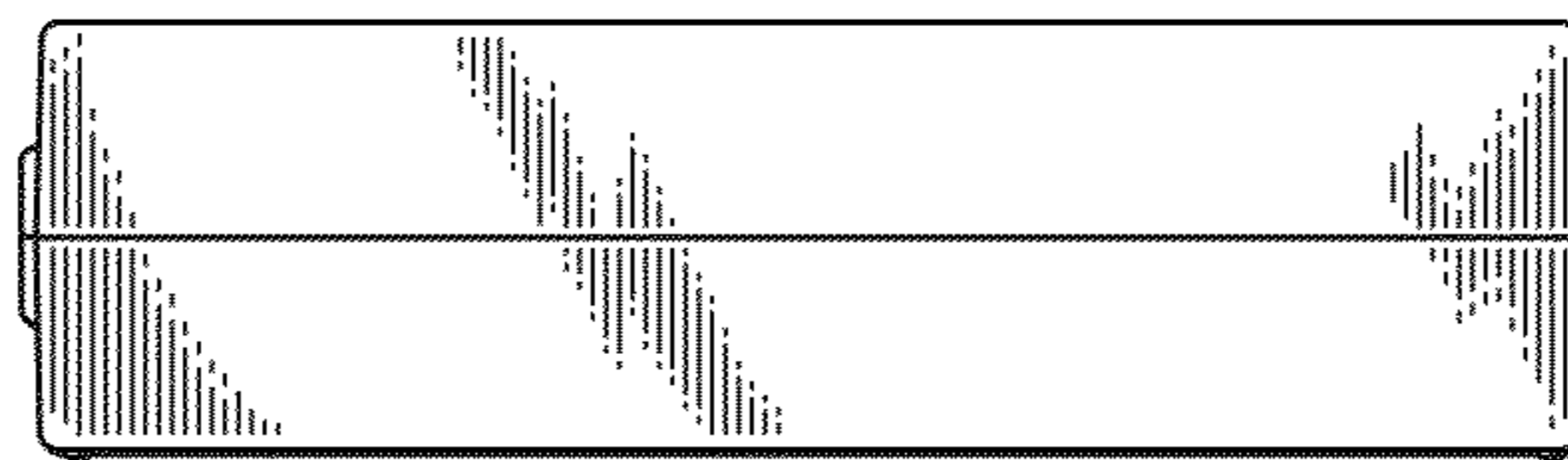


FIG.6

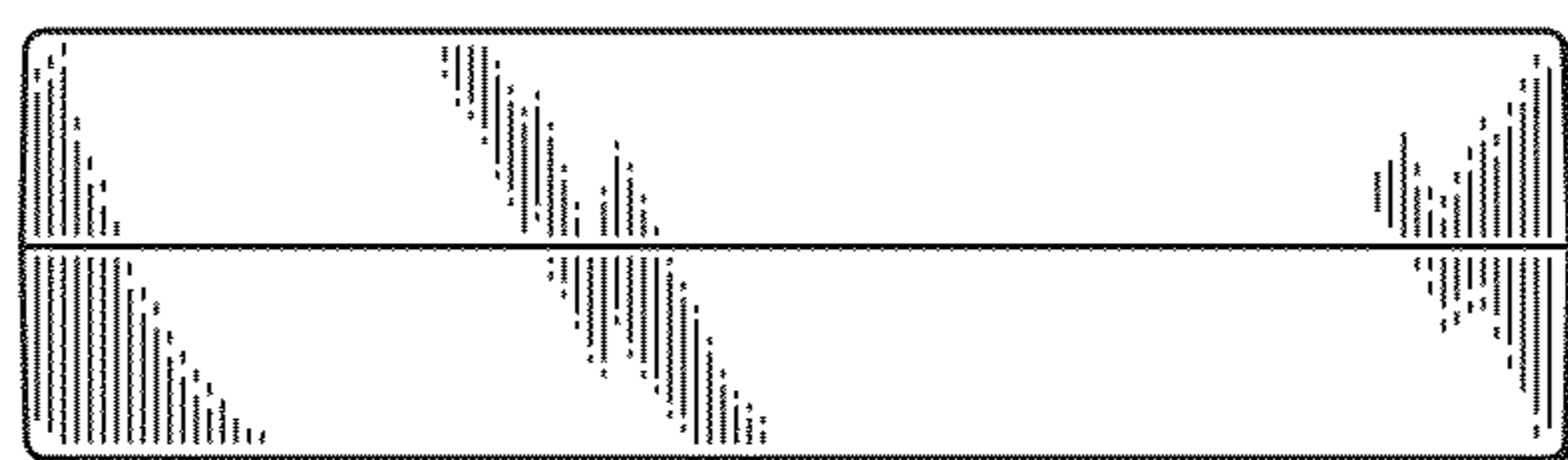


FIG.7

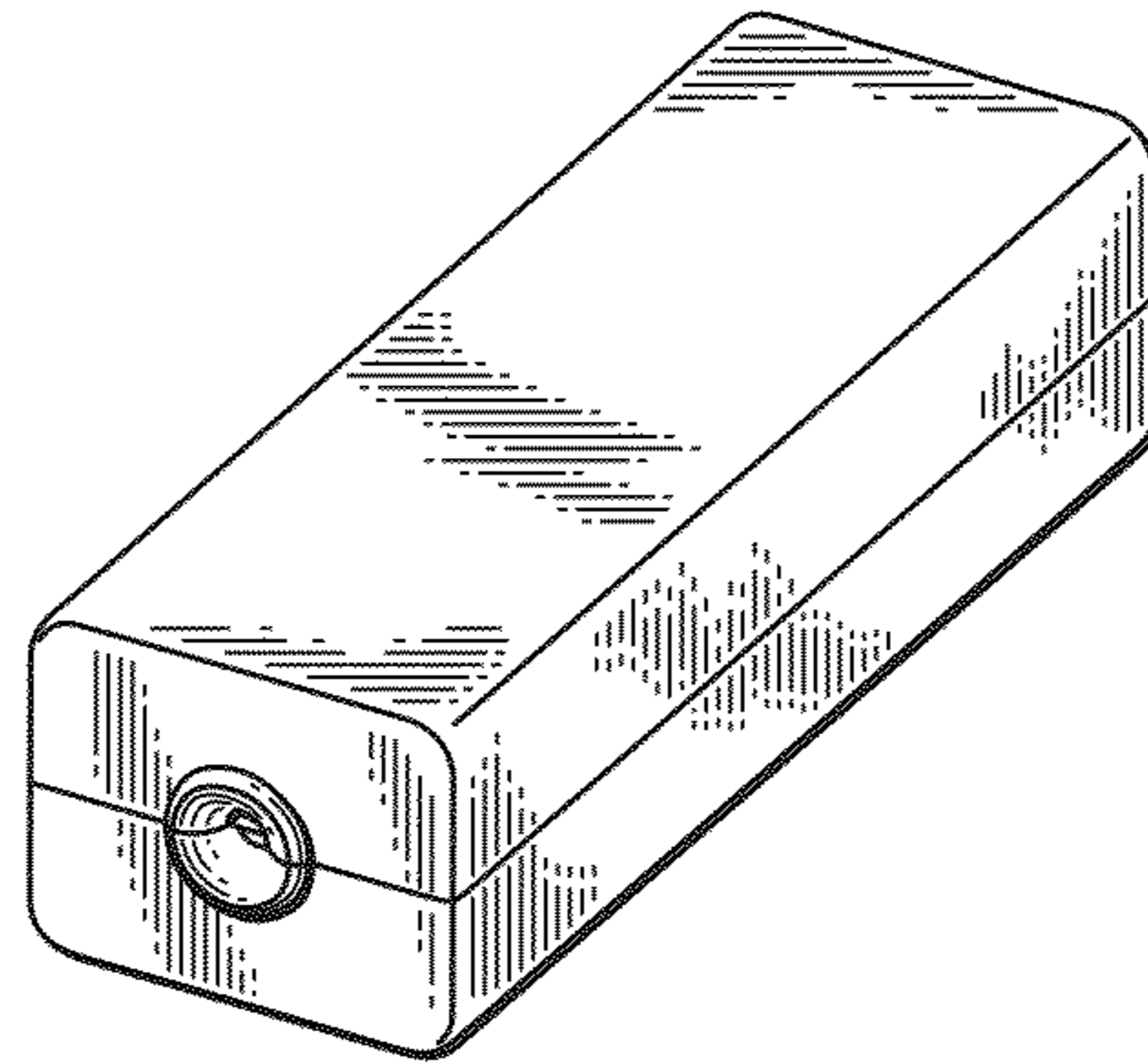


FIG.8

