



US00D702183S

(12) **United States Design Patent**
Benedict et al.

(10) **Patent No.:** **US D702,183 S**
(45) **Date of Patent:** **** Apr. 8, 2014**

(54) **GENERATOR ADAPTER 3 PRONG**

D618,617 S * 6/2010 Lee D13/137.2
D636,335 S * 4/2011 Clark D13/137.2
D686,993 S * 7/2013 Millar-Sax et al. D13/137.2
D687,778 S * 8/2013 Utz D13/133

(71) Applicant: **Camco Manufacturing, Inc.**,
Greensboro, NC (US)

(72) Inventors: **Dominic William Benedict**, Stokesdale,
NC (US); **Jeffrey Robert Russell**,
Winston-Salem, NC (US)

(73) Assignee: **Camco Manufacturing Inc.**,
Greensboro, NC (US)

(**) Term: **14 Years**

(21) Appl. No.: **29/442,290**

(22) Filed: **Jan. 25, 2013**

(51) **LOC (10) Cl.** **13-02**

(52) **U.S. Cl.**
USPC **D13/110; D13/146**

(58) **Field of Classification Search**
USPC D13/110, 118, 137.1, 137.2, 138.1, 146,
D13/147, 154, 184, 199; 439/34, 35, 374,
439/527, 529, 533, 594, 626, 628, 638, 894
See application file for complete search history.

(56) **References Cited**

U.S. PATENT DOCUMENTS

3,500,291 A 3/1970 Hubbell et al.
D418,816 S * 1/2000 Wu D13/146
D511,748 S 11/2005 Caine et al.
D515,503 S * 2/2006 Lee D13/139.4
D523,811 S 6/2006 Pinson
D549,650 S 8/2007 Russell et al.
D599,290 S * 9/2009 Lee D13/137.2

OTHER PUBLICATIONS

Ref 1., Reliance Controls AP31RV 30 Amp L5-30 to RV Generator
Power Adapter Plug, Amazon website (www.amazon.com). Jan. 22,
2013.

Ref 2., Marinco 125A 30 A Rv Generator Adapter, Amazon website
(www.amazon.com). Jan. 22, 2013.

* cited by examiner

Primary Examiner — Stella Reid

Assistant Examiner — Khawaja Anwar

(57) **CLAIM**

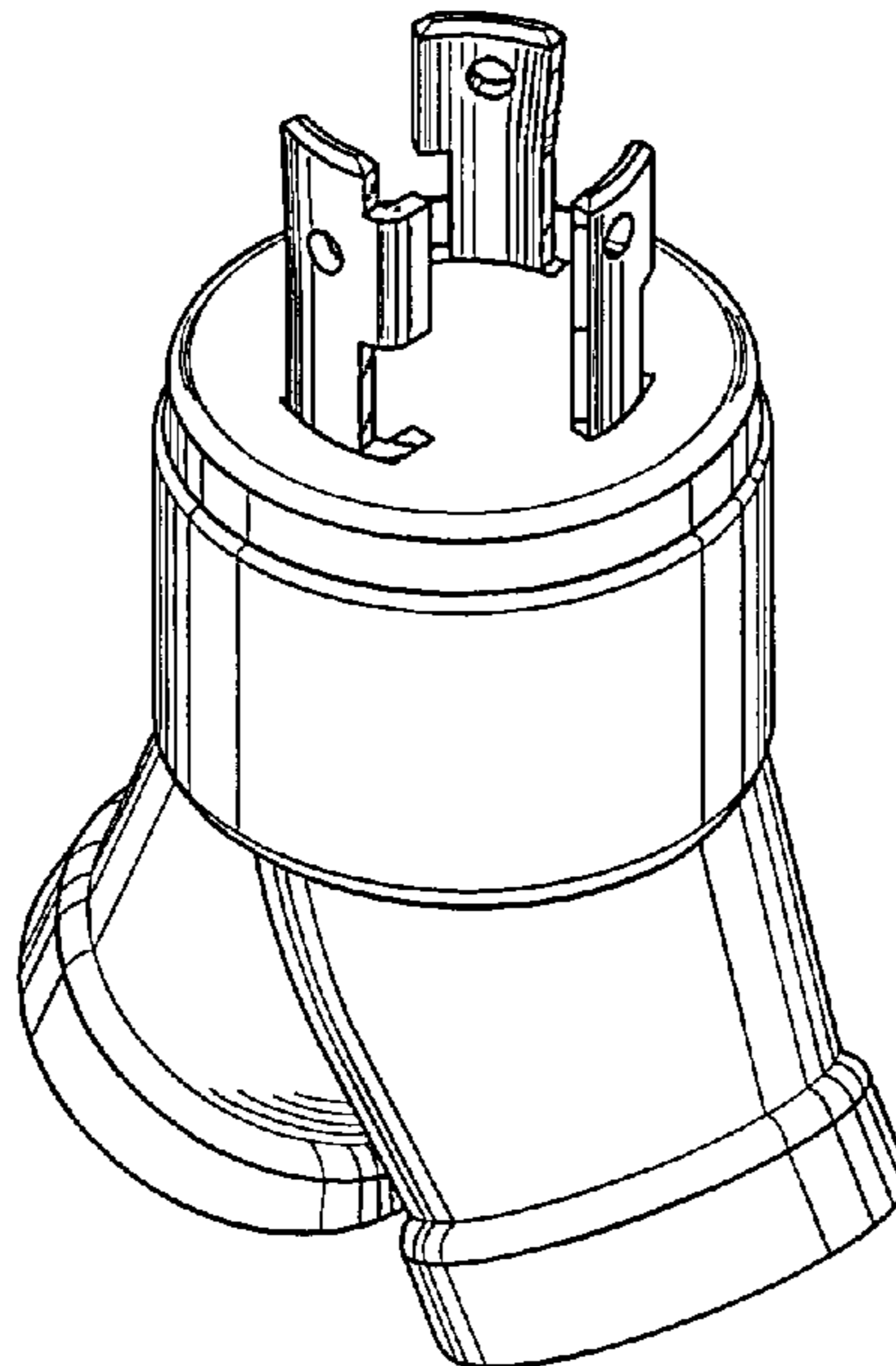
The ornamental design for a generator adapter 3 prong, as
shown and described.

DESCRIPTION

FIG. 1 is a front, top right perspective view of a generator
adapter 3 prong showing our new design;
FIG. 2 is a front, bottom left view thereof;
FIG. 3 is a front elevation view thereof;
FIG. 4 is a rear elevation view thereof;
FIG. 5 is a top plan view thereof;
FIG. 6 is a bottom plan view thereof;
FIG. 7 is a left elevation view thereof; and,
FIG. 8 is a right elevation view thereof.

The broken line portion in the figure drawing views is
included for the purpose of illustrating unclaimed environ-
ment and forms no part of the claimed design.

1 Claim, 4 Drawing Sheets



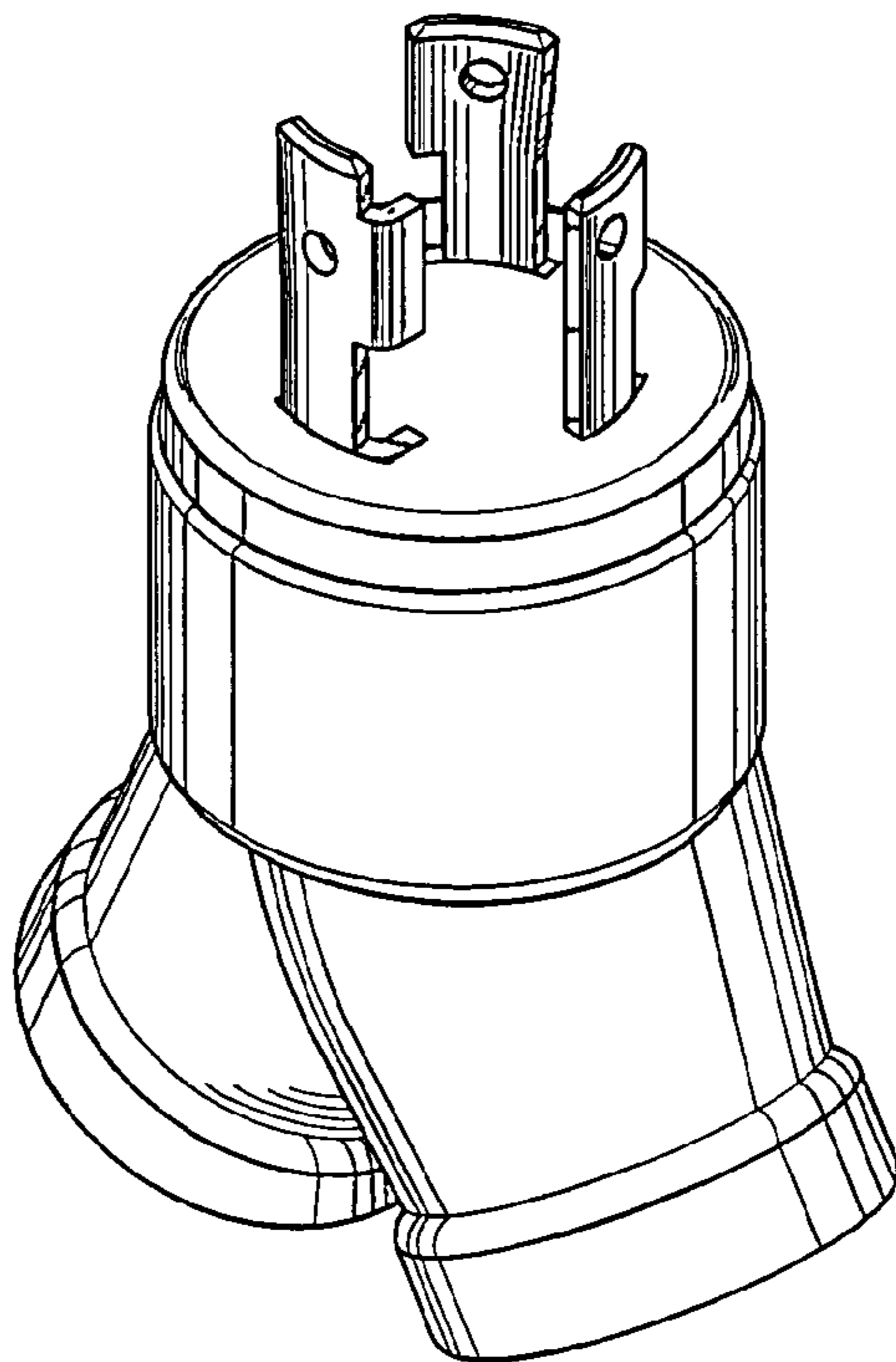


Fig. 1

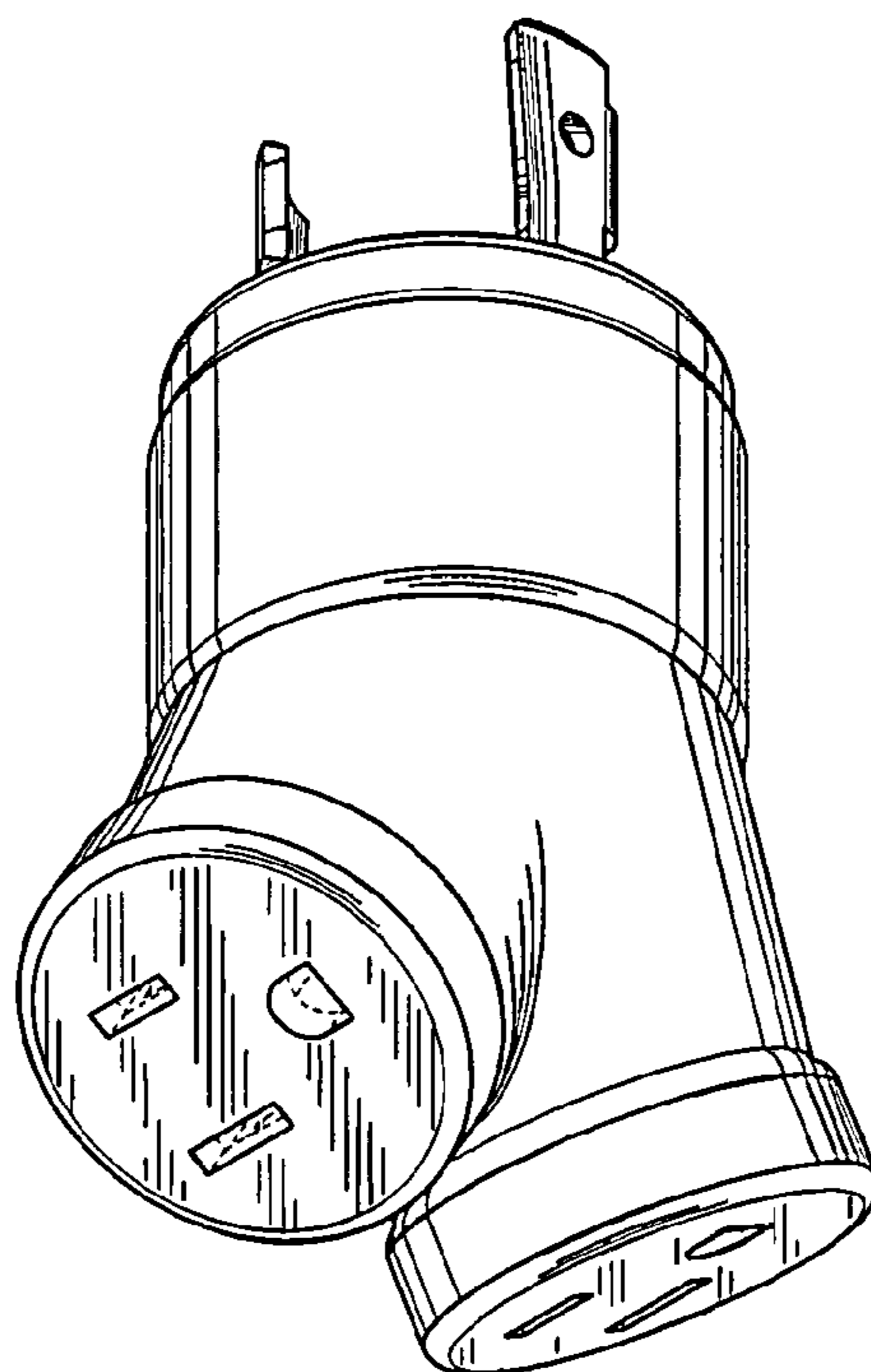


Fig. 2

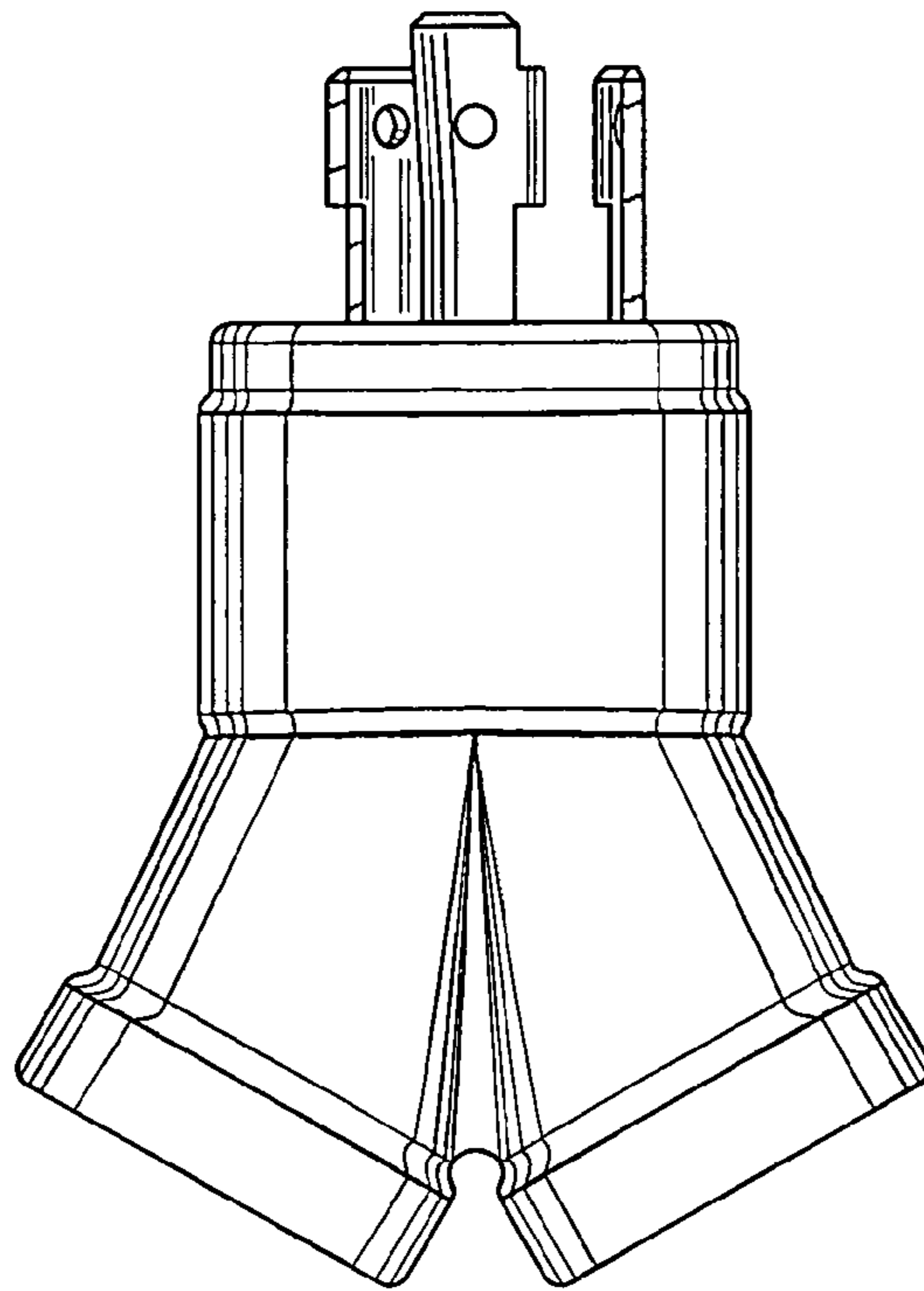


Fig. 3

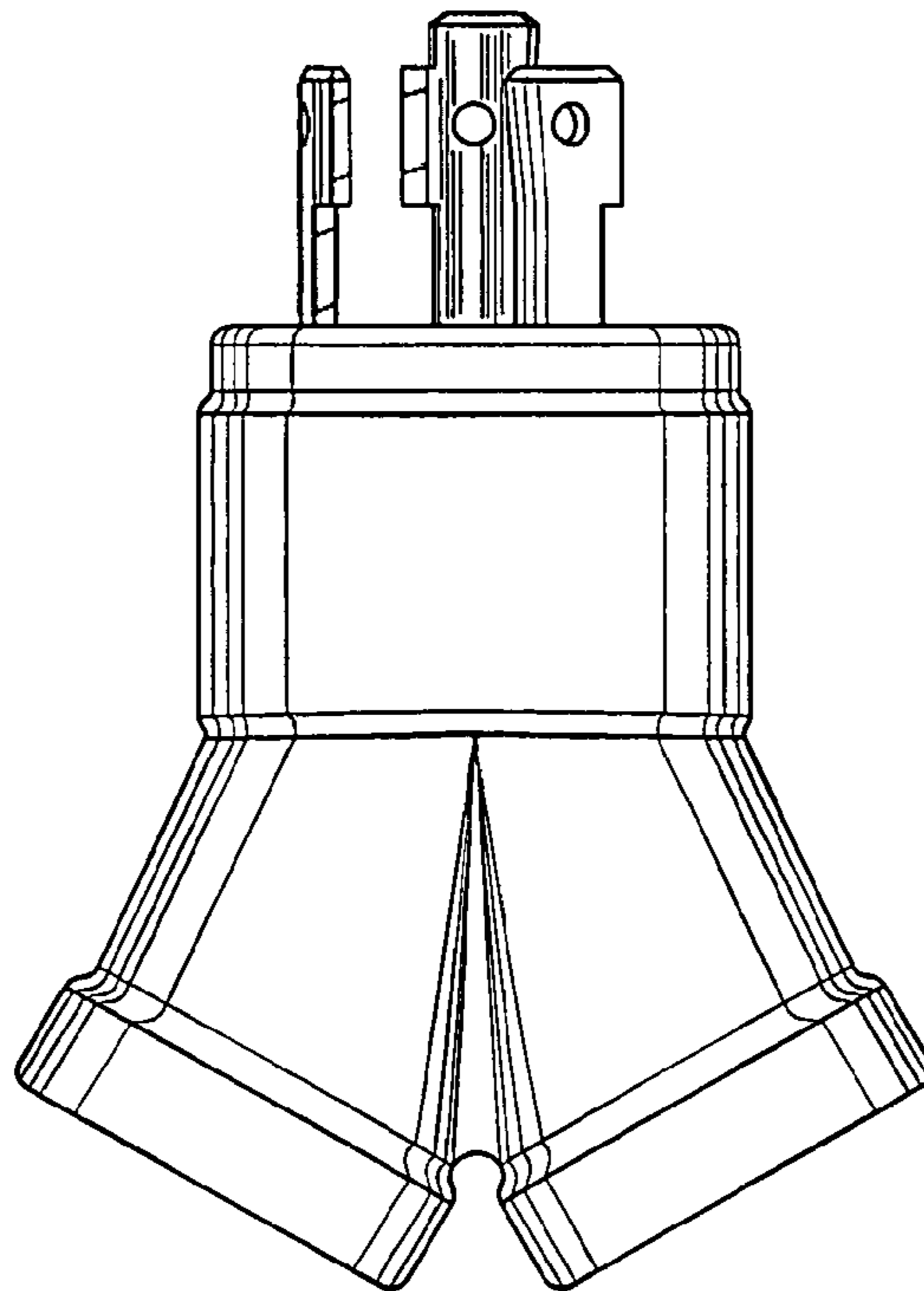


Fig. 4

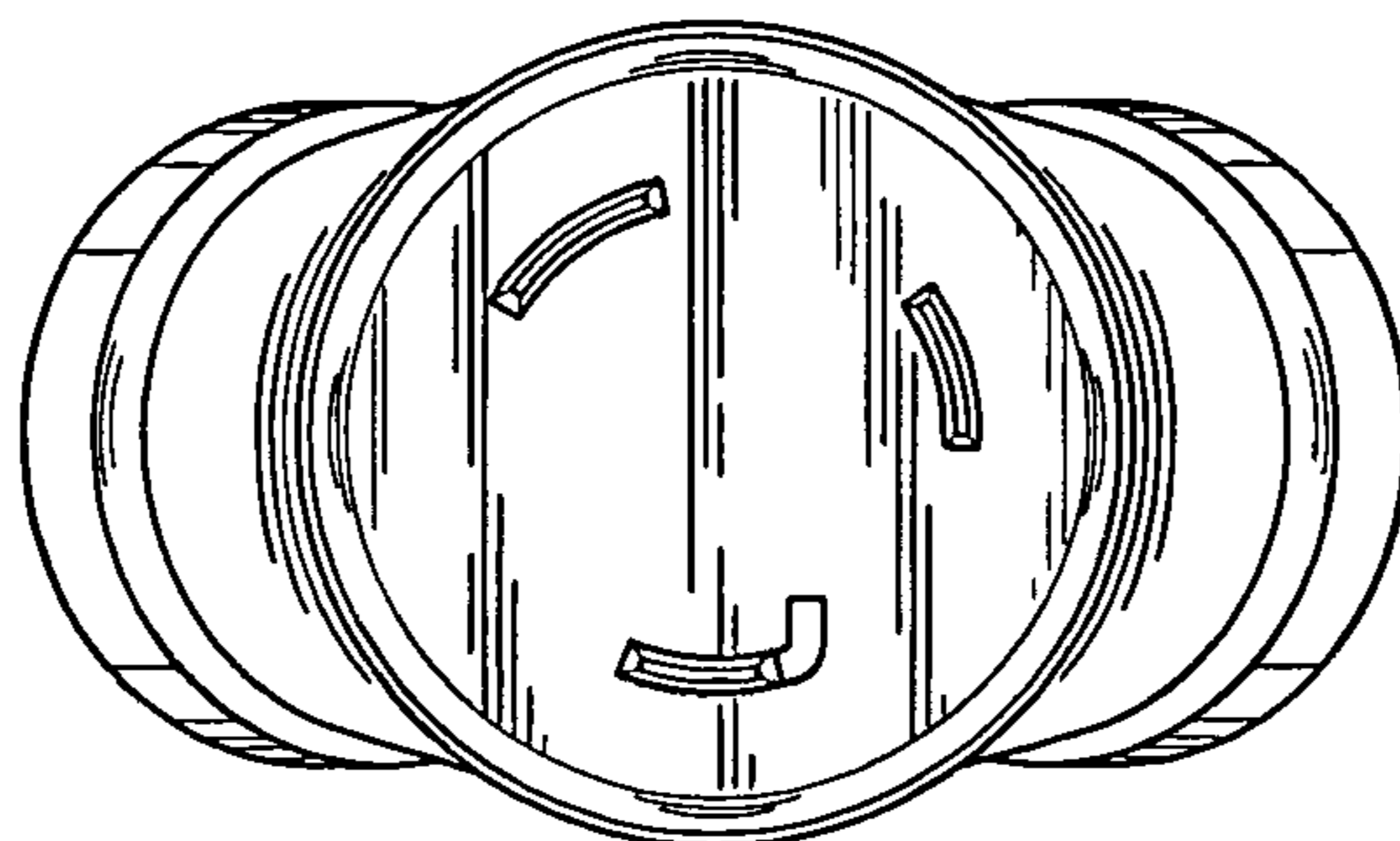


Fig. 5

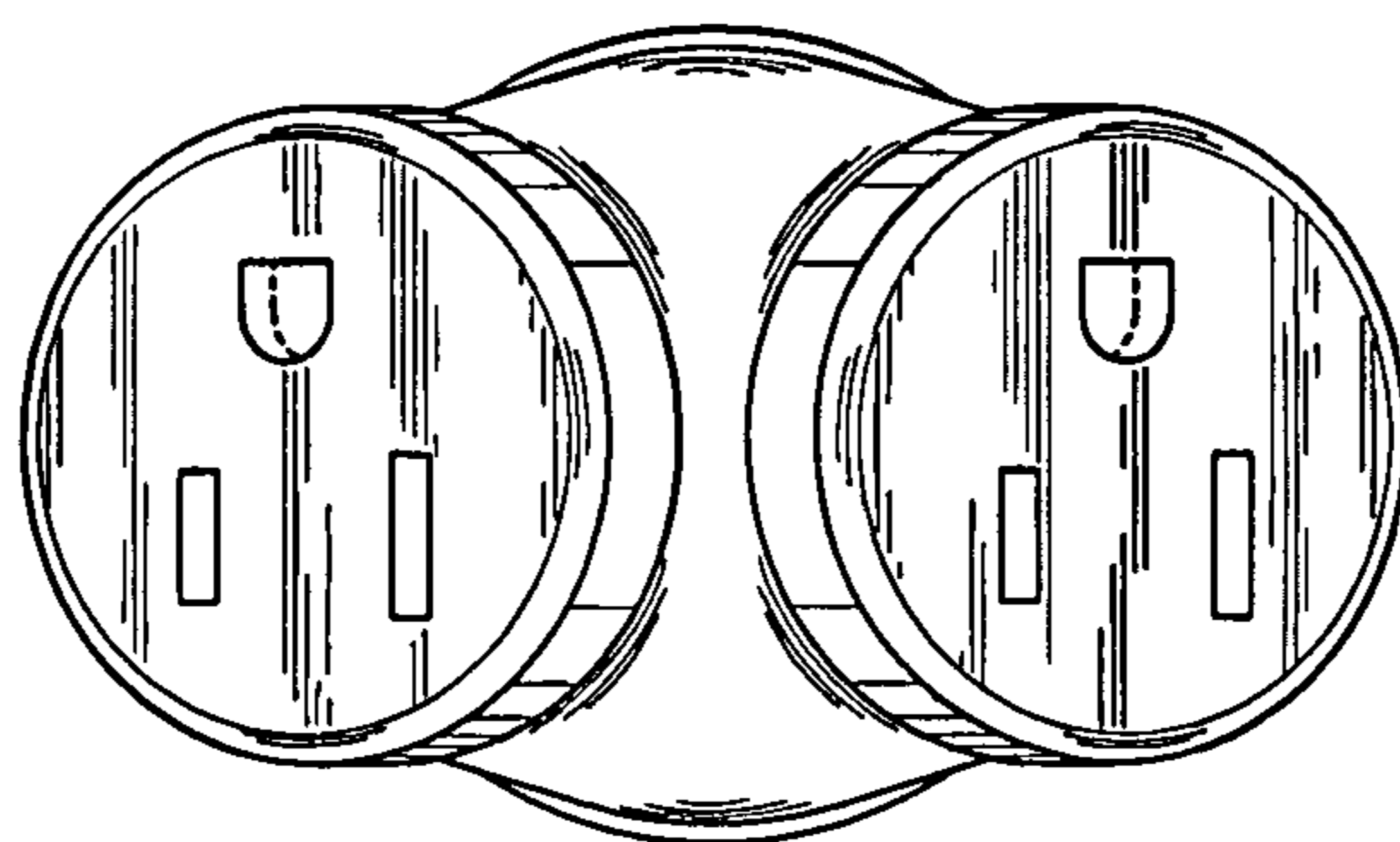


Fig. 6

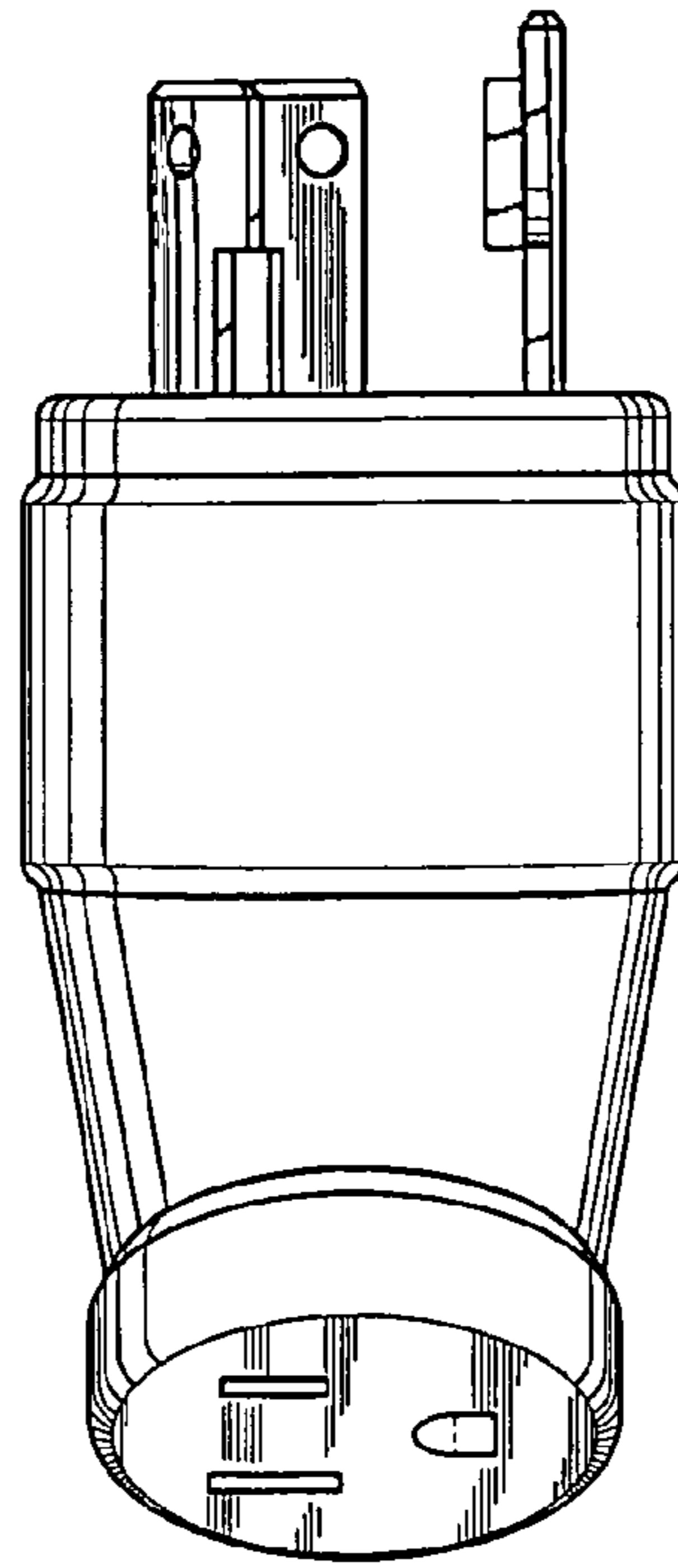


Fig. 7

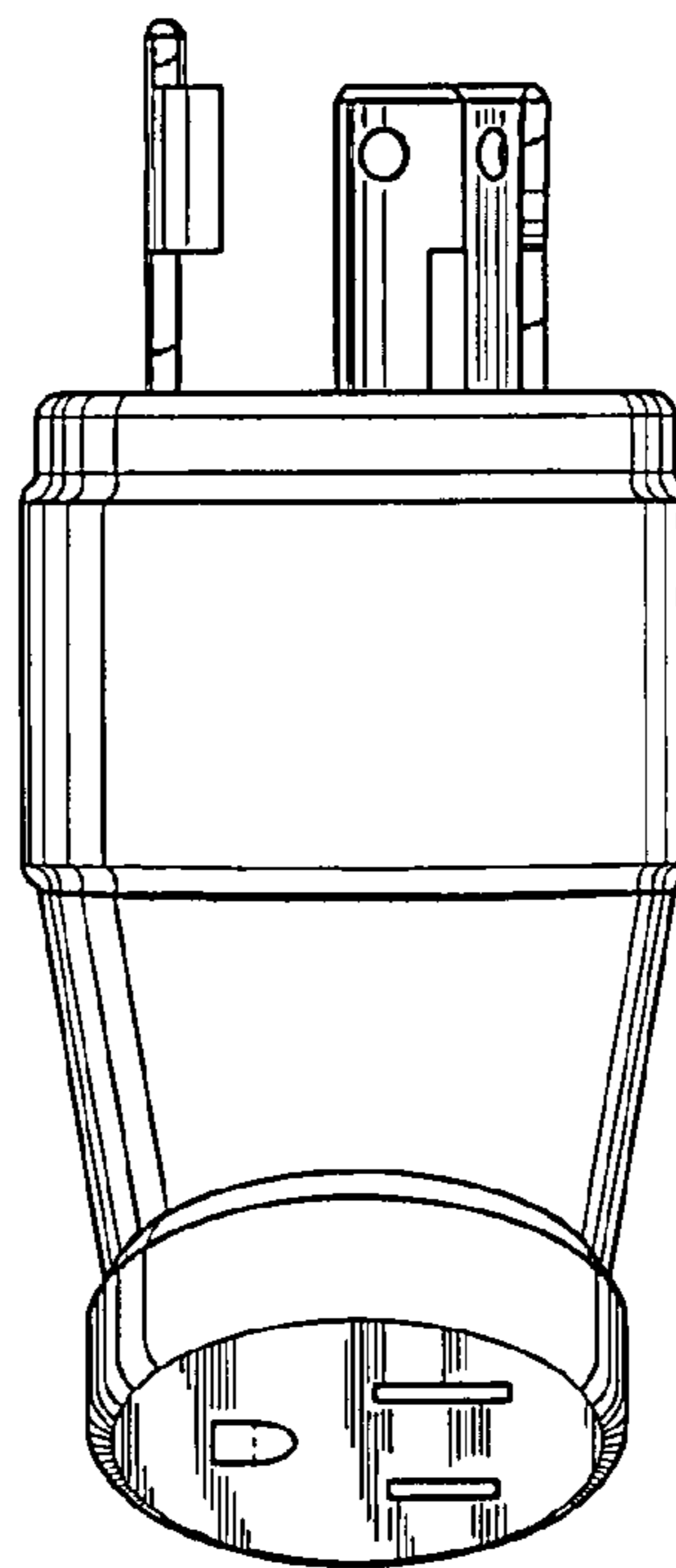


Fig. 8