



US00D702182S

(12) **United States Design Patent**
Druker et al.

(10) **Patent No.:** **US D702,182 S**
(45) **Date of Patent:** **** Apr. 8, 2014**

(54) **POWER SUPPLY**

(75) Inventors: **Joshua Todd Druker**, Redwood City, CA (US); **Stephen John Senatore**, So San Francisco, CA (US); **Alexander Robert Brown**, San Jose, CA (US); **Kevin Daley Simmons**, San Jose, CA (US)

(73) Assignee: **Intelligent Energy Ltd.**, Loughborough (GB)

(**) Term: **14 Years**

(21) Appl. No.: **29/416,842**

(22) Filed: **Mar. 27, 2012**

(51) **LOC (10) Cl.** **13-02**

(52) **U.S. Cl.**
USPC **D13/110**

(58) **Field of Classification Search**
USPC D13/110, 108, 123, 133, 137.1, 184, D13/199; 174/53, 54, 57, 59, 61; 307/150, 307/151; 320/111, 114; 363/132, 146; 439/105, 131, 166, 170-173, 218, 518, 439/692, 956; D14/242, 433
See application file for complete search history.

(56) **References Cited**

U.S. PATENT DOCUMENTS

5,494,449 A * 2/1996 Chioo 439/76.1
5,973,948 A * 10/1999 Hahn et al. 363/146
D449,030 S * 10/2001 Baxter et al. D13/110
6,669,495 B2 * 12/2003 Philips et al. 439/170
7,125,257 B1 * 10/2006 Liang 439/22

D562,766 S * 2/2008 Yang D13/110
D596,562 S * 7/2009 Hong et al. D13/110
D602,430 S * 10/2009 Green et al. D13/110
D634,269 S * 3/2011 Griffin, Jr. D13/108
D639,238 S * 6/2011 Serrano D13/110
D641,693 S * 7/2011 Akana et al. D13/107

* cited by examiner

Primary Examiner — Derrick Holland

(74) *Attorney, Agent, or Firm* — Baker Hostetler, LLP

(57) **CLAIM**

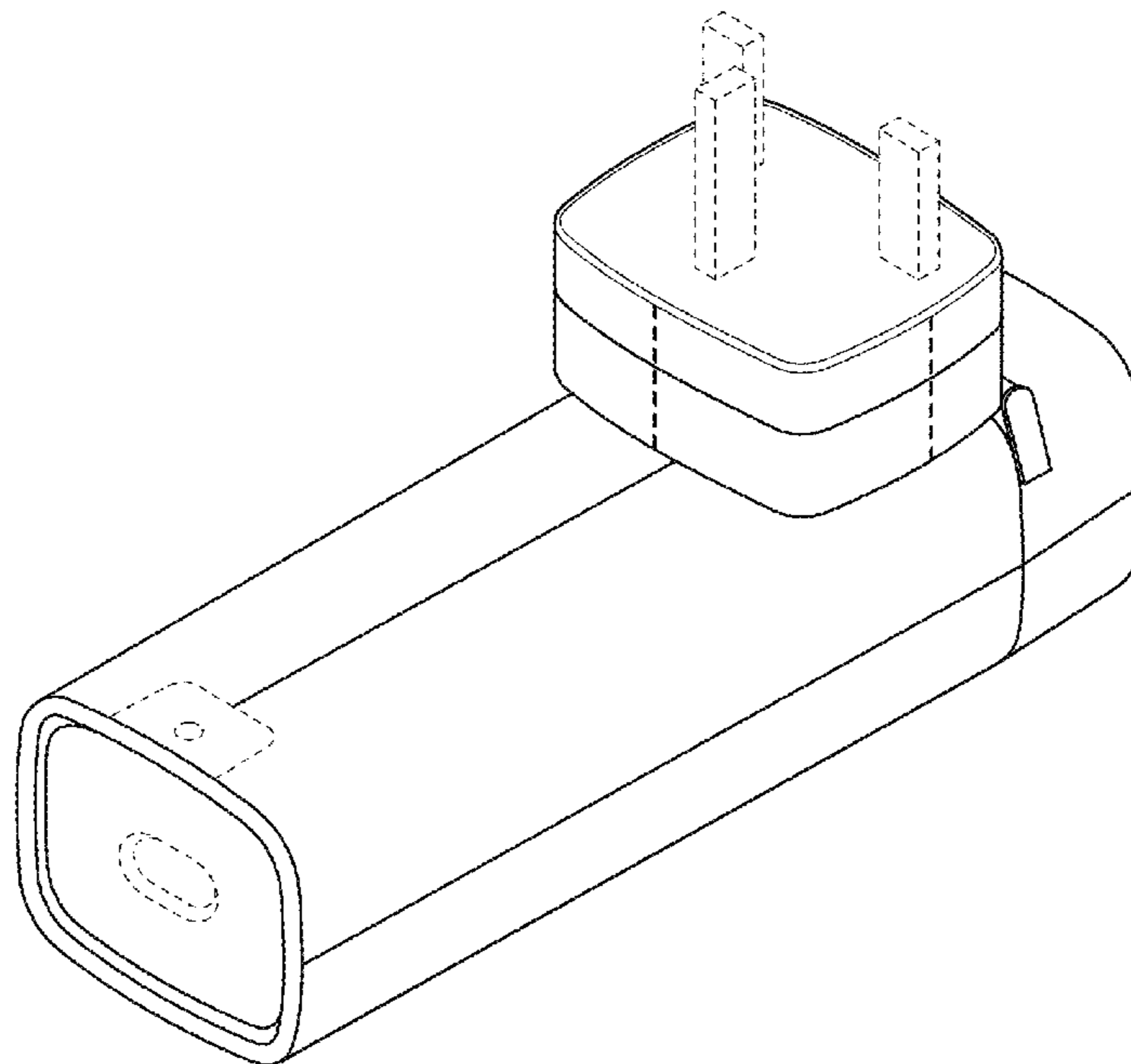
The ornamental design for a power supply, as shown and described.

DESCRIPTION

FIG. 1 is a bottom view of a power supply showing our new design;
FIG. 2 is a top view of a power supply showing our new design;
FIG. 3 is a left side view of a power supply showing our new design;
FIG. 4 is a right side view of a power supply showing our new design;
FIG. 5 is a back view of a power supply showing our new design;
FIG. 6 is a front view of a power supply showing our new design;
FIG. 7 is a bottom and back perspective view of a power supply showing our new design; and,
FIG. 8 is a top and front perspective view of a power supply showing our new design.

The broken lines shown represent unclaimed subject matter and form no part of the claimed design.

1 Claim, 4 Drawing Sheets



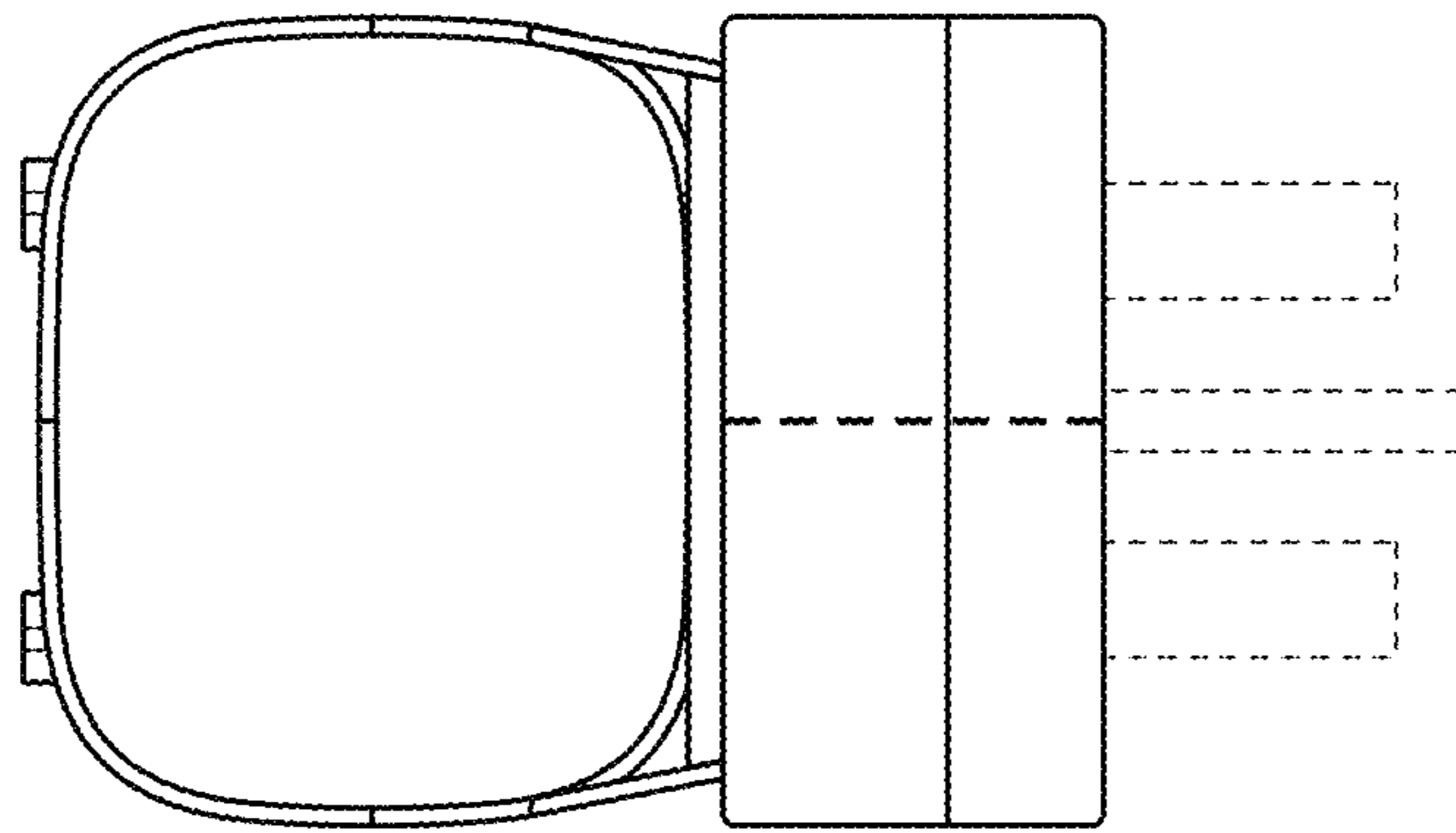


FIG. 1

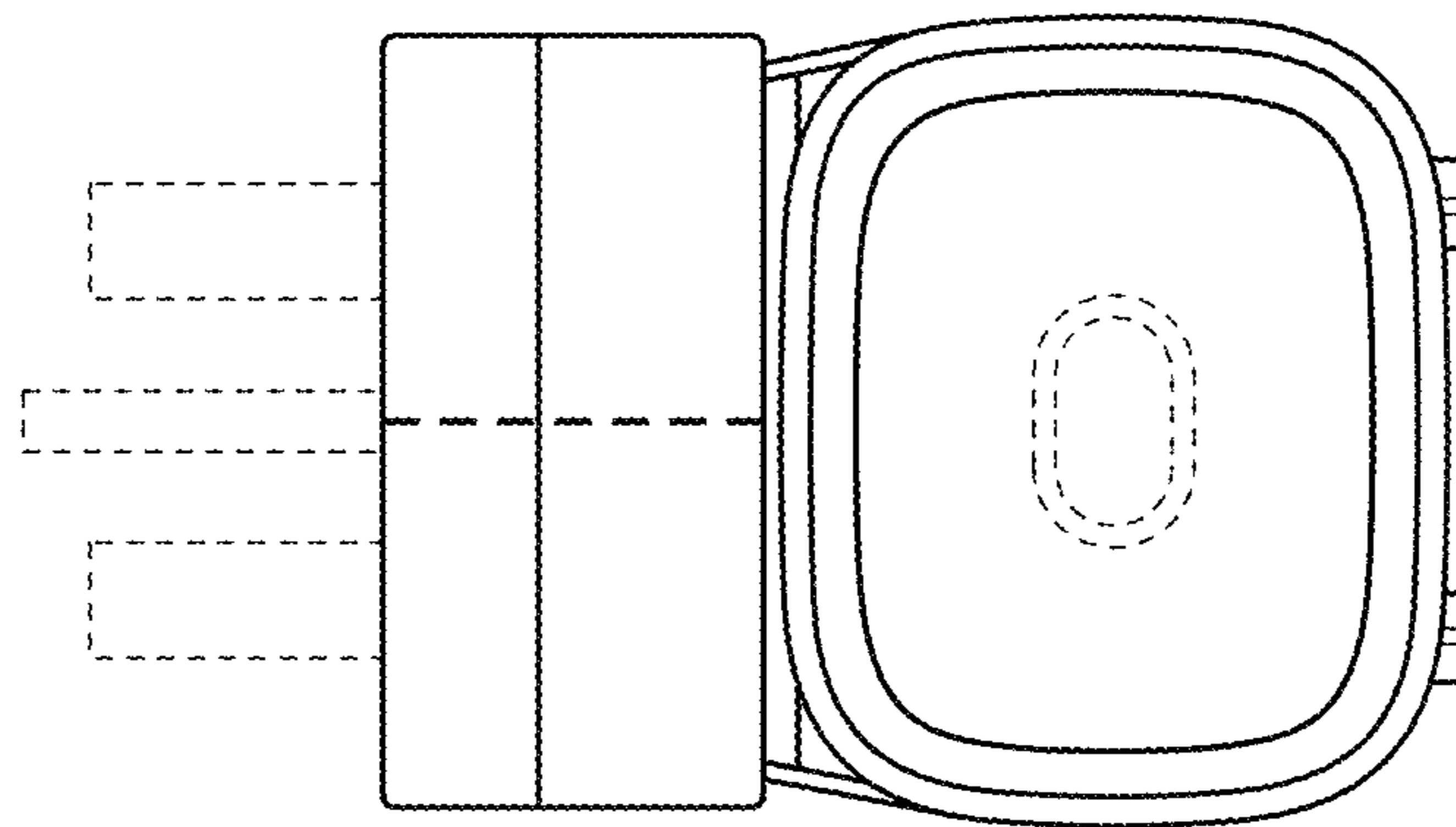


FIG. 2

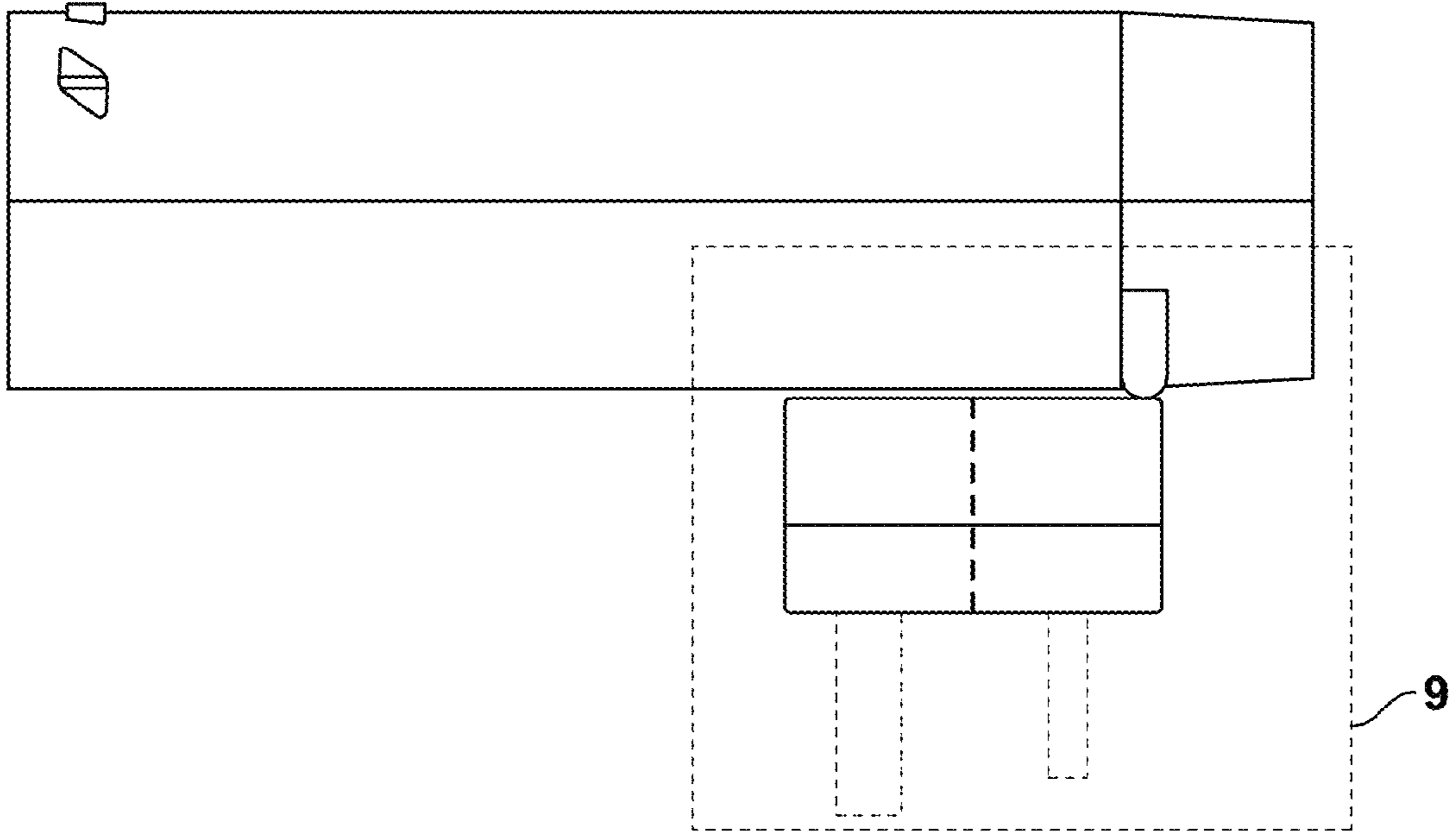


FIG. 3

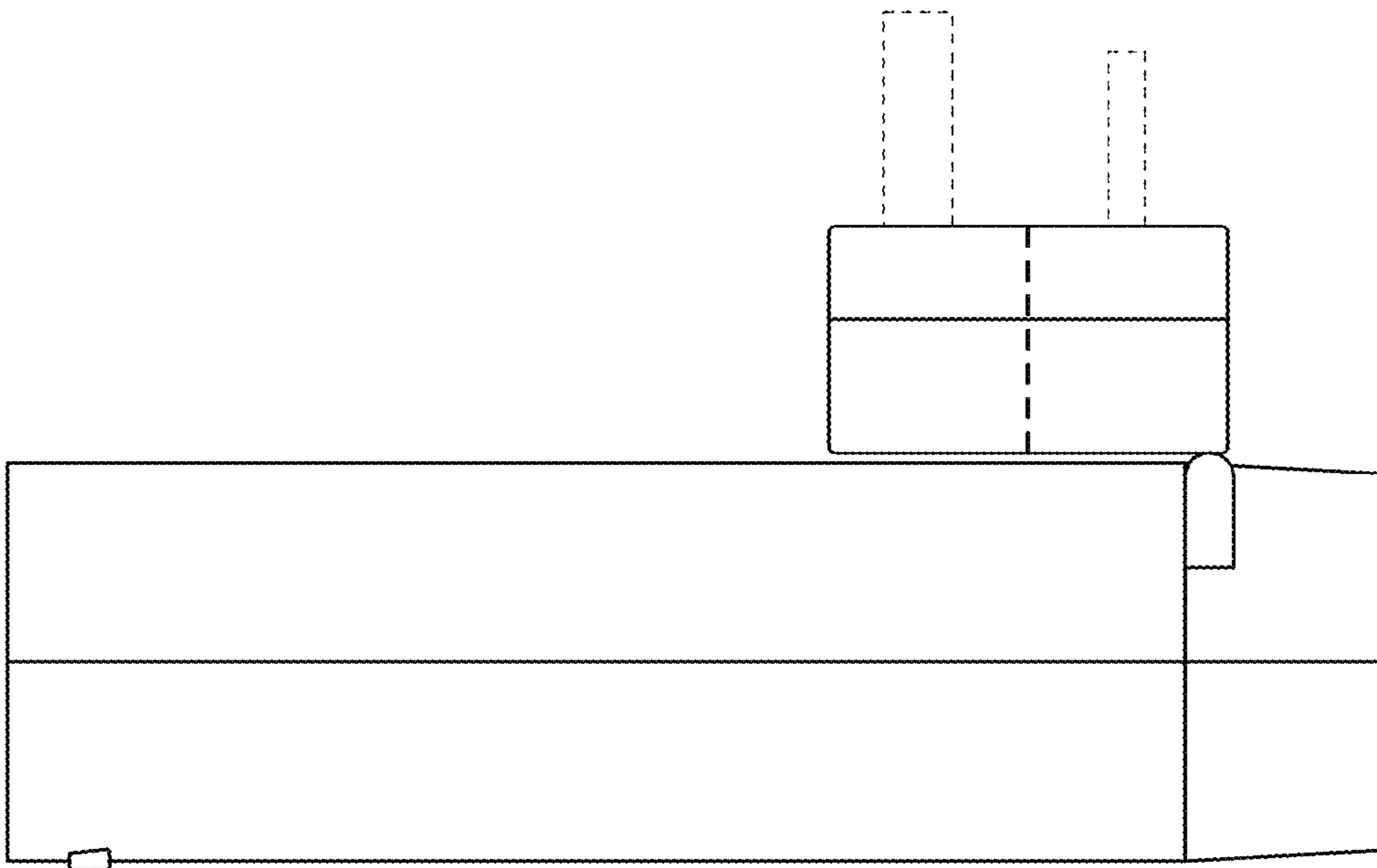


FIG. 4

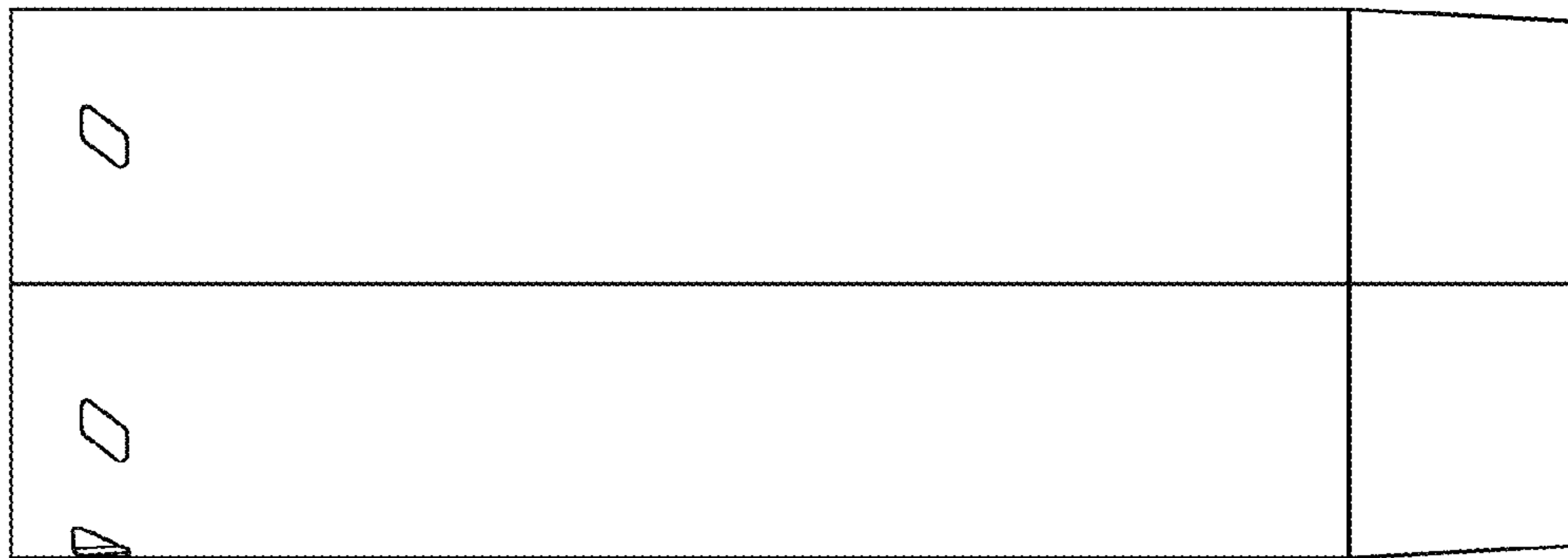


FIG. 5

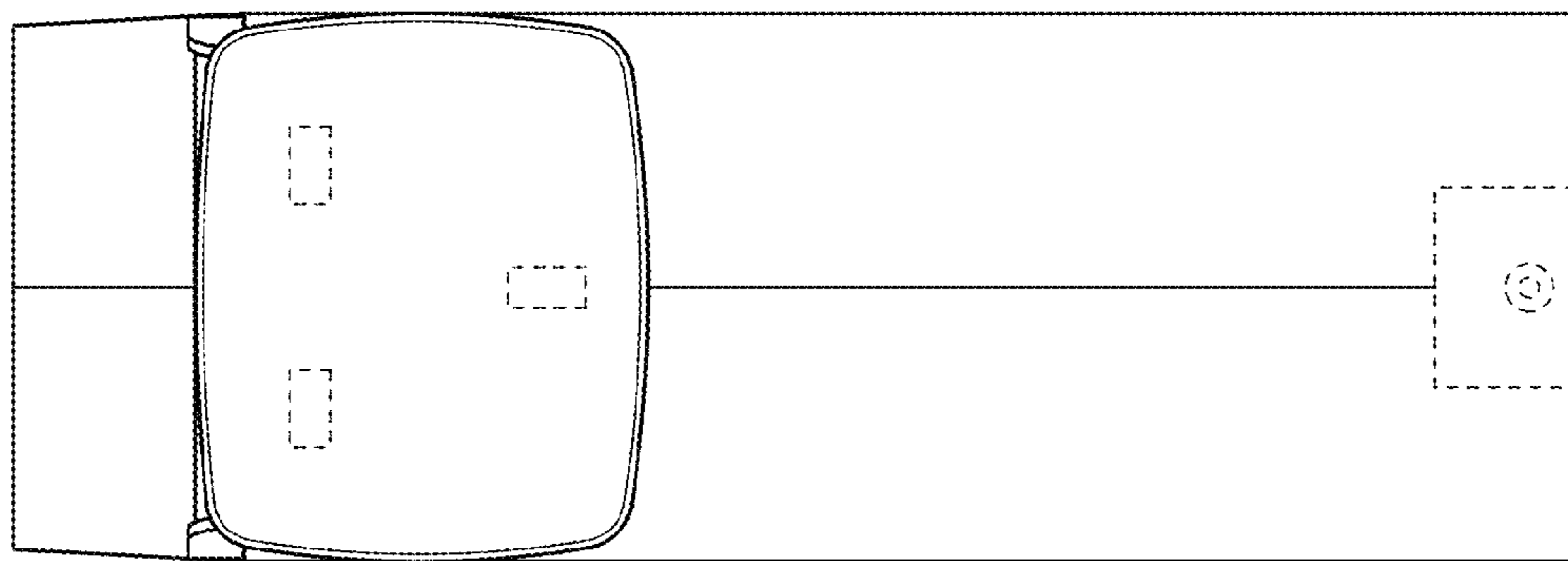


FIG. 6

