



US00D702181S

(12) **United States Design Patent**  
**Maki**

(10) **Patent No.:** **US D702,181 S**

(45) **Date of Patent:** **\*\* Apr. 8, 2014**

(54) **CHARGER**

(71) Applicant: **Chervon (HK) Limited**, Wanchai (HK)

(72) Inventor: **Jake Maki**, Grand Rapids, MI (US)

(73) Assignee: **Chervon (HK) Limited**, Hong Kong (HK)

(\*\*) Term: **14 Years**

(21) Appl. No.: **29/438,176**

(22) Filed: **Nov. 27, 2012**

(30) **Foreign Application Priority Data**

May 28, 2012 (CN) ..... 2012 3 0202489

(51) **LOC (10) Cl.** ..... **13-02**

(52) **U.S. Cl.**  
USPC ..... **D13/107**

(58) **Field of Classification Search**  
USPC ..... D13/107-110, 118-119, 184, 199;  
D15/9; 320/103-105, 107-115  
See application file for complete search history.

(56) **References Cited**

**U.S. PATENT DOCUMENTS**

D423,451 S \* 4/2000 Heckenast et al. .... D13/110  
D444,125 S \* 6/2001 Shy ..... D13/110

D493,419 S \* 7/2004 Krieger et al. .... D13/107  
D504,396 S \* 4/2005 Hussaini et al. .... D13/107  
D504,660 S \* 5/2005 Krieger et al. .... D13/107  
D513,604 S \* 1/2006 Krieger et al. .... D13/107  
D517,983 S \* 3/2006 Krieger et al. .... D13/107  
D523,395 S \* 6/2006 Krieger et al. .... D13/107  
D545,270 S \* 6/2007 Dayan ..... D13/107  
D595,222 S \* 6/2009 Ellsworth ..... D13/107  
D653,204 S \* 1/2012 Whiting et al. .... D13/107  
D653,612 S \* 2/2012 DuMelle et al. .... D13/107  
D654,863 S \* 2/2012 Whiting et al. .... D13/107

\* cited by examiner

*Primary Examiner* — Rosemary K Tarcza  
(74) *Attorney, Agent, or Firm* — Greenberg Traurig, LLP

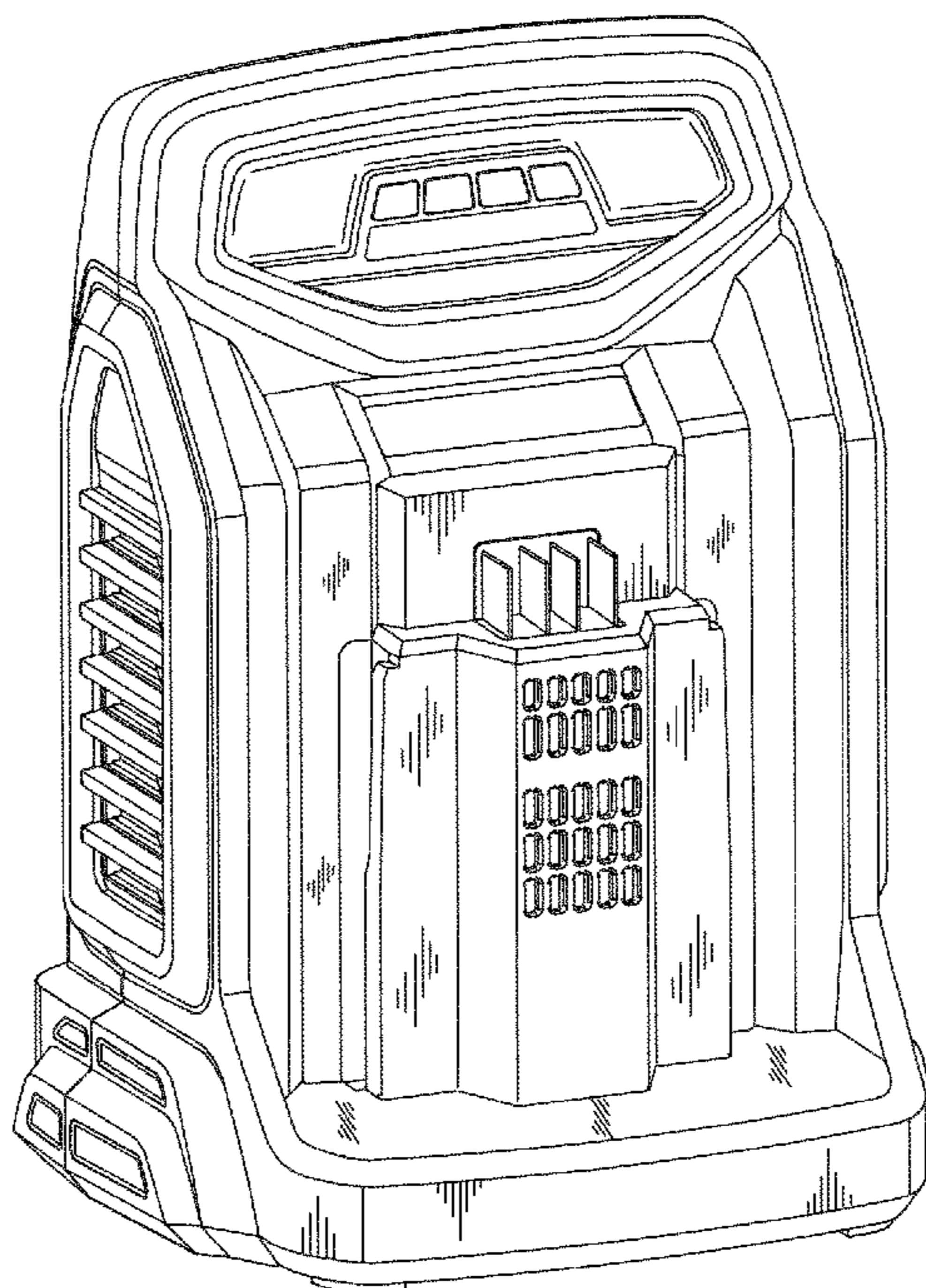
(57) **CLAIM**

What is claimed is the ornamental design for a charger, as shown and described.

**DESCRIPTION**

FIG. 1 is a front side elevational view of charger showing the new design;  
FIG. 2 is a rear side elevational view thereof;  
FIG. 3 is a right side elevational view thereof;  
FIG. 4 is a left side elevational view thereof;  
FIG. 5 is a top plan view thereof;  
FIG. 6 is a bottom plan view thereof; and,  
FIG. 7 is a perspective view thereof.

**1 Claim, 7 Drawing Sheets**



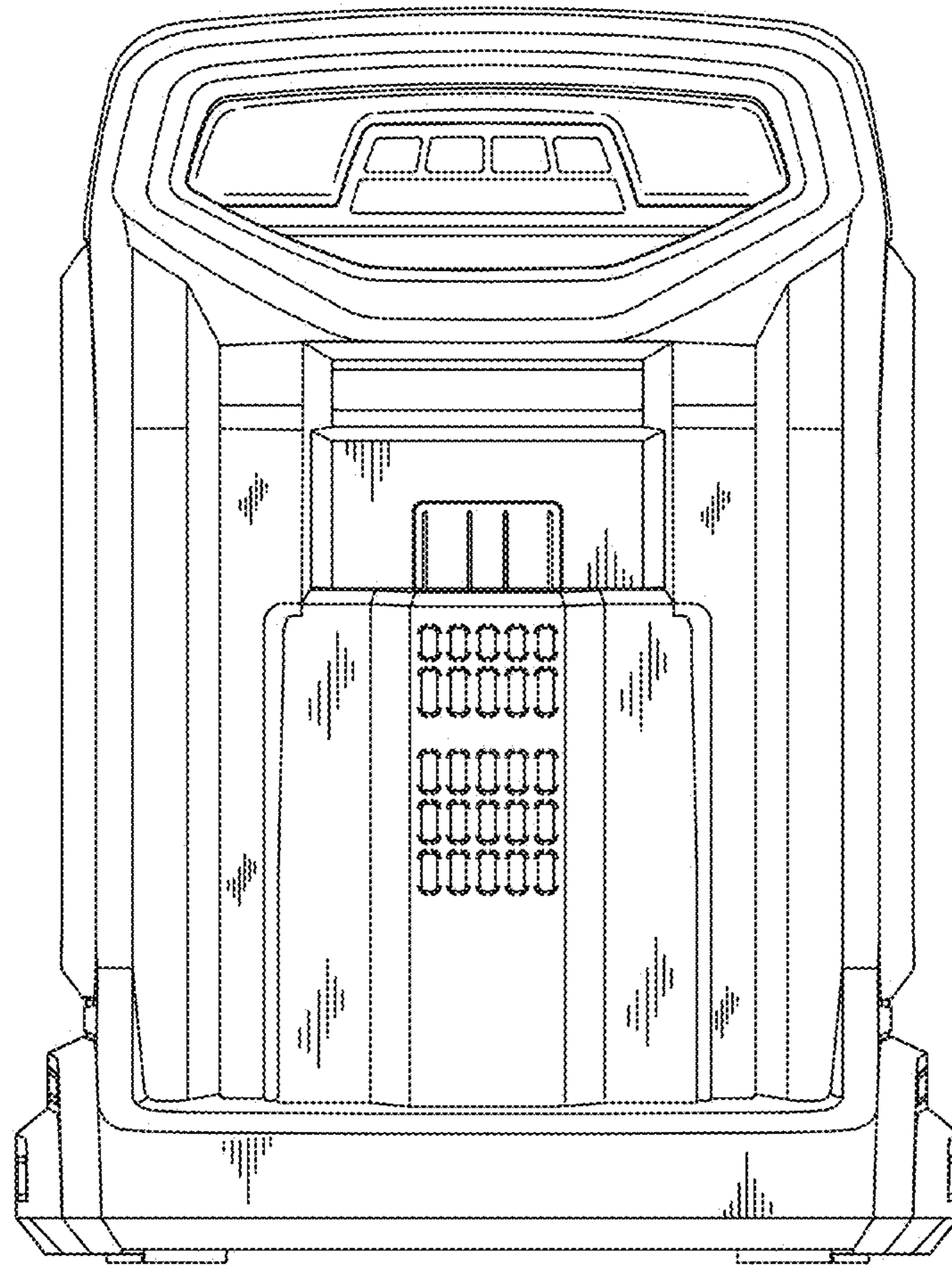


Fig. 1

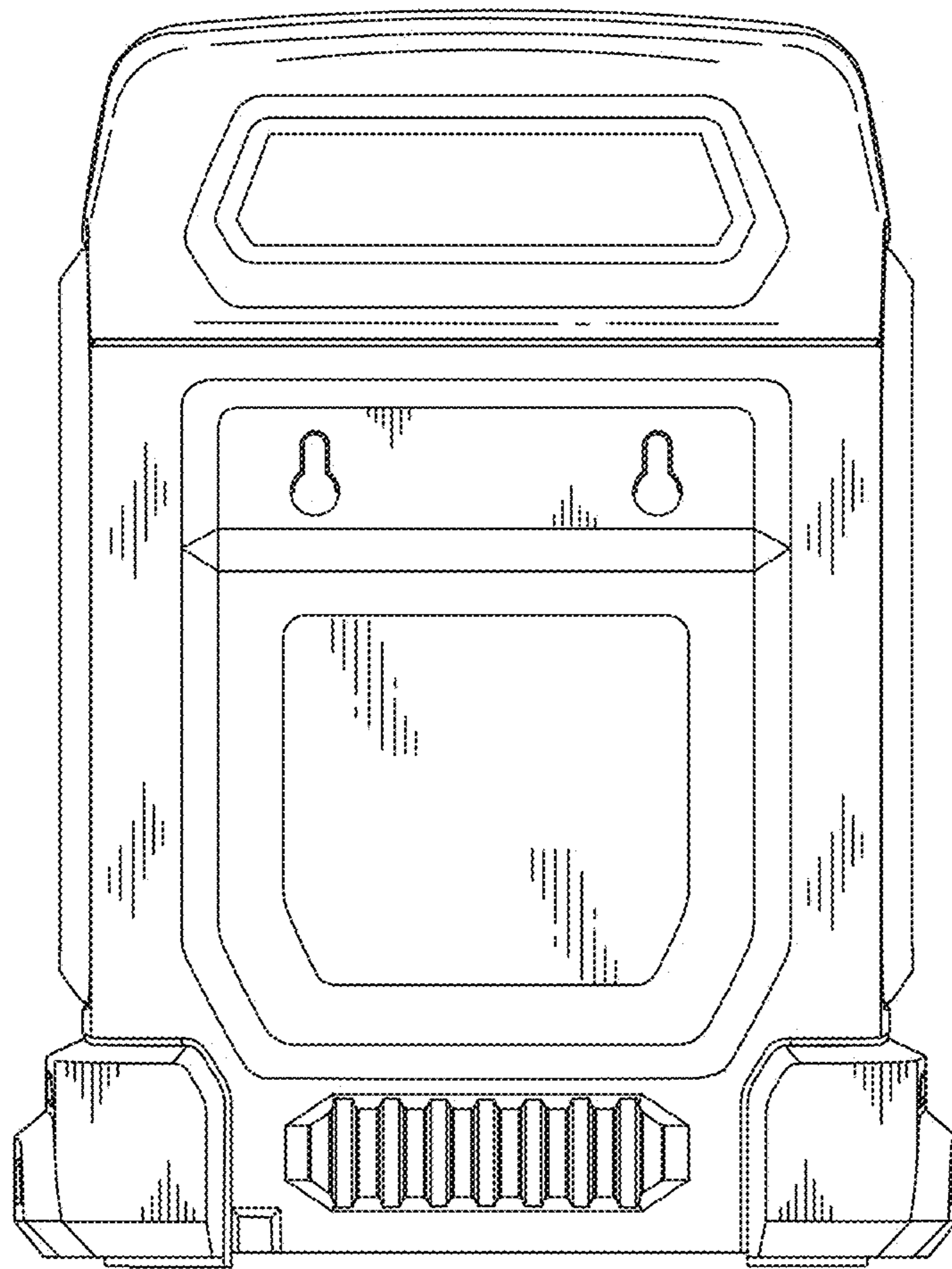


Fig. 2

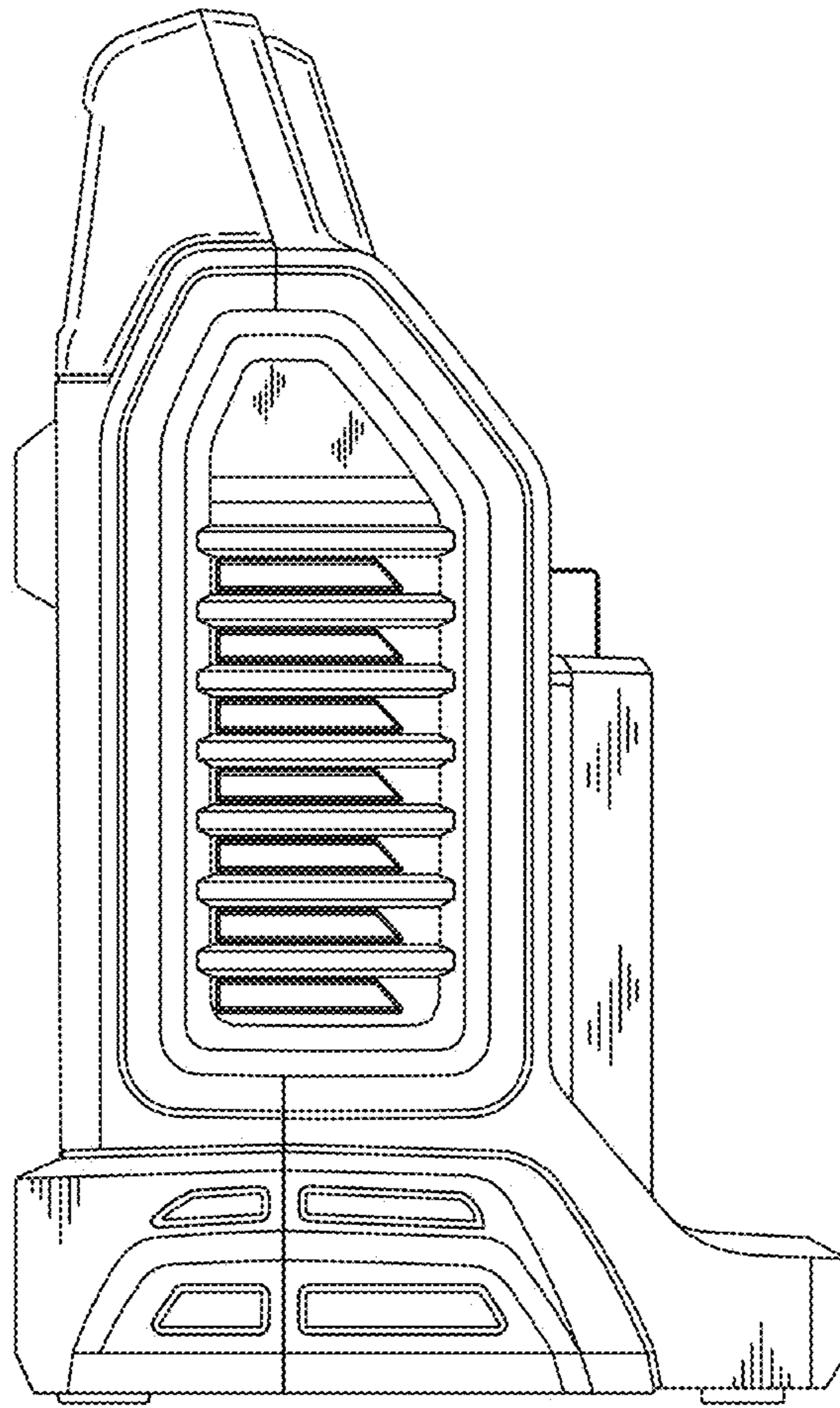


Fig. 3

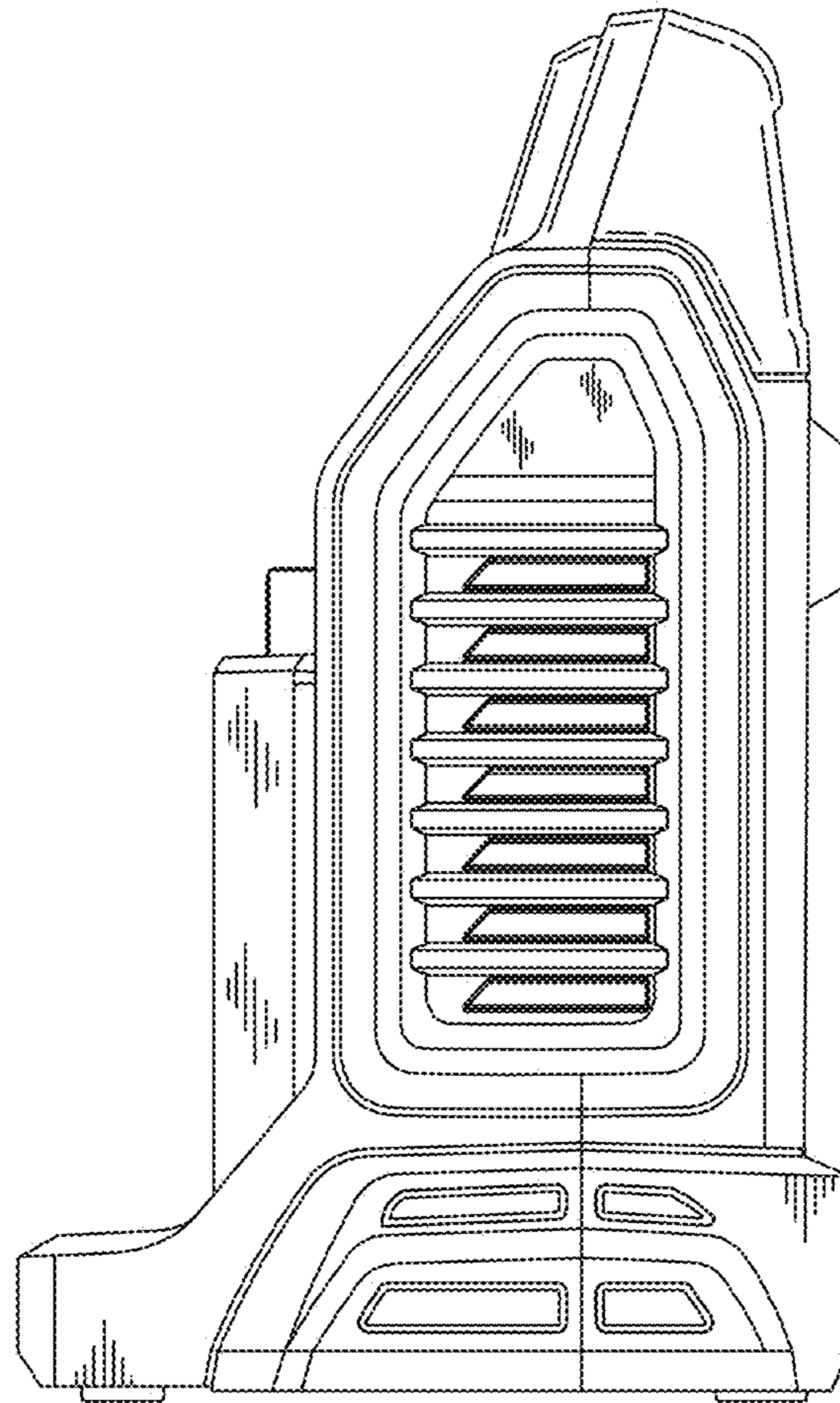


Fig. 4

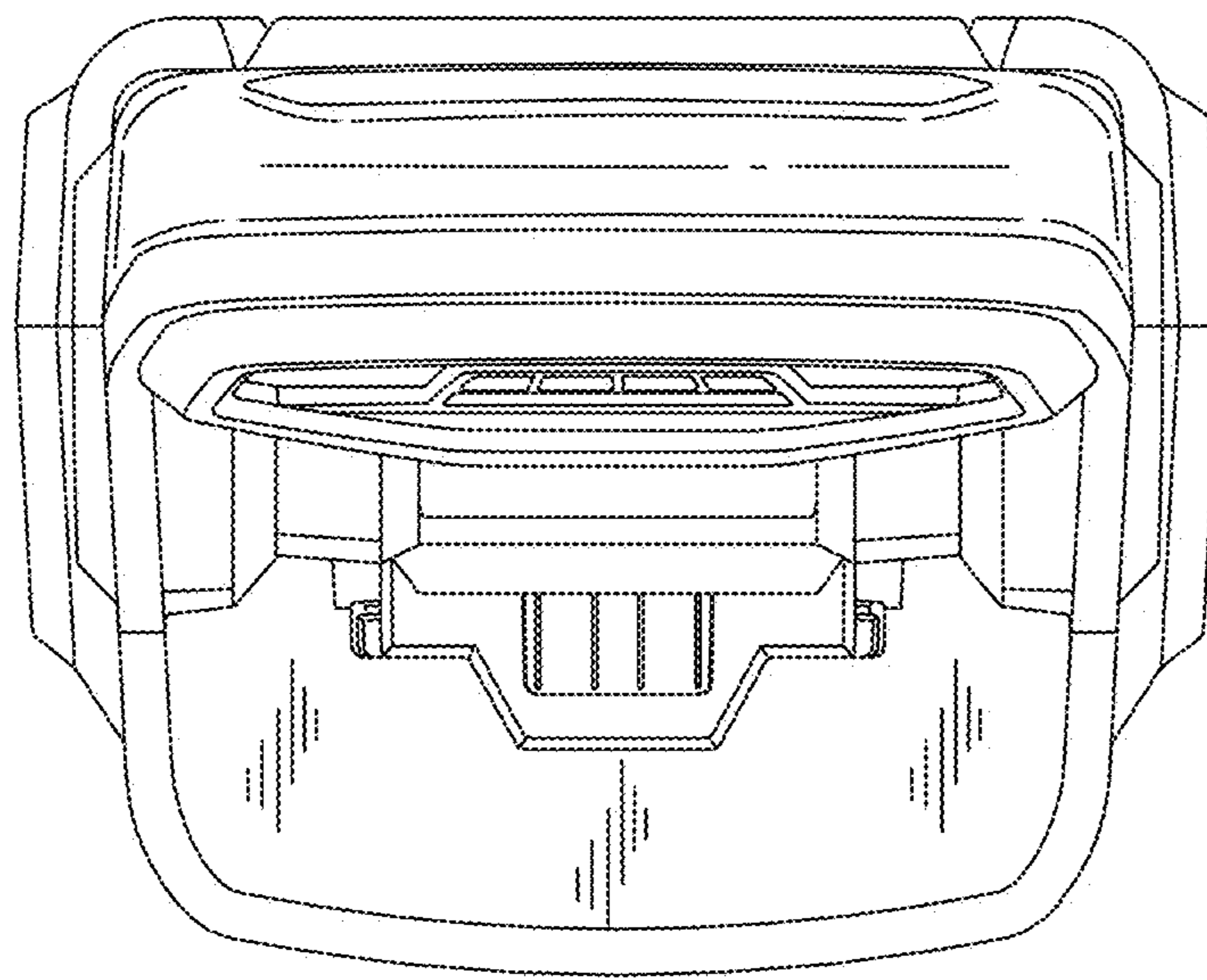


Fig. 5

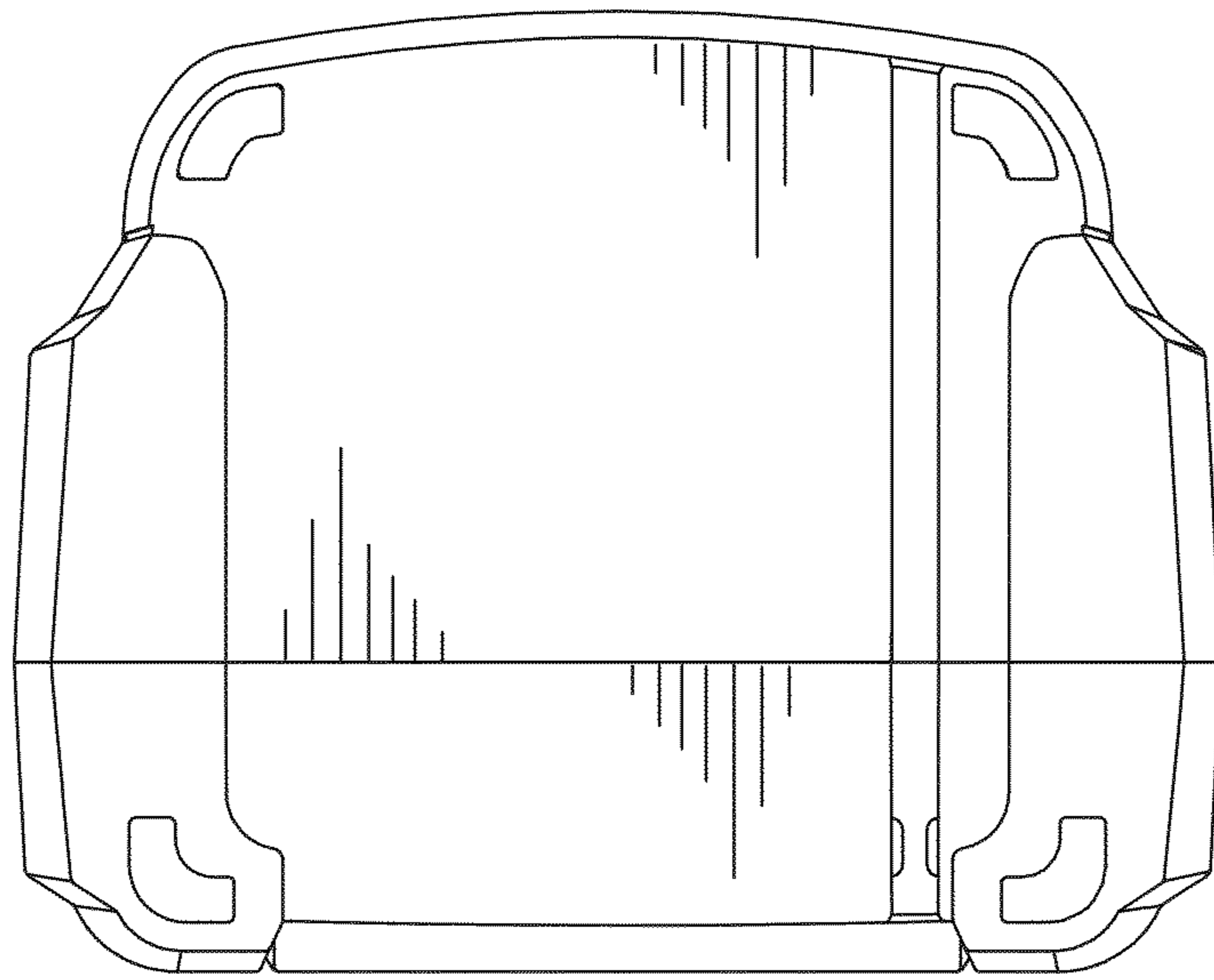


Fig. 6

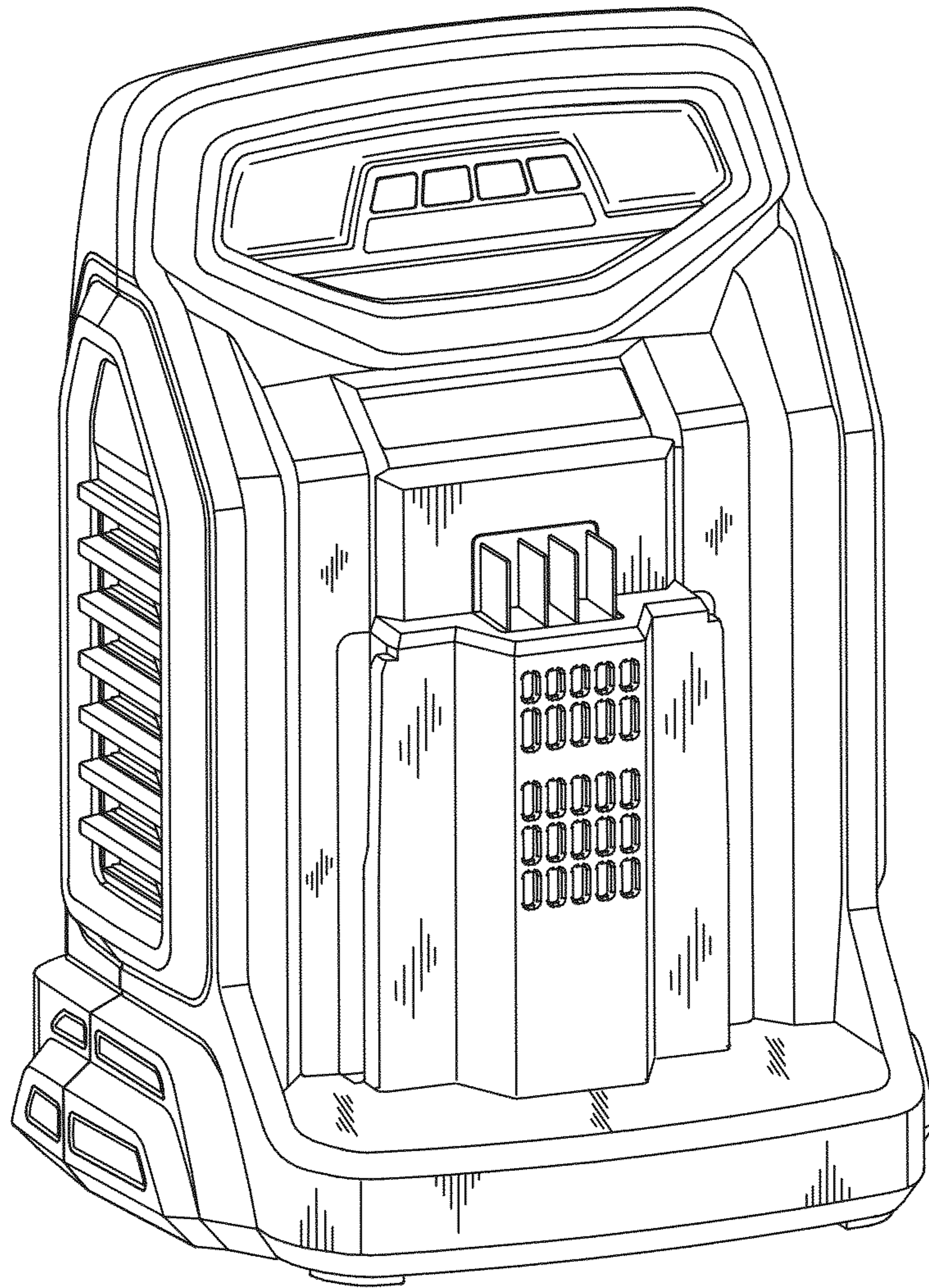


Fig. 7