



US00D702175S

(12) **United States Design Patent**
Kim

(10) **Patent No.:** **US D702,175 S**

(45) **Date of Patent:** **** Apr. 8, 2014**

(54) **WIPER FOR AUTOMOBILES**

(71) Applicant: **ADM21 Co., Ltd.**, Chungcheongnam-do (KR)

(72) Inventor: **In-Kyu Kim**, Gyeonggi-do (KR)

(73) Assignees: **In-Kyu Kim**, Gyeonggi-do (KR);
ADM21 Co., Ltd., Chungcheongnam-do (KR)

(**) Term: **14 Years**

(21) Appl. No.: **29/460,125**

(22) Filed: **Jul. 8, 2013**

(30) **Foreign Application Priority Data**

Jan. 31, 2013 (KR) 30-2013-0005540

(51) **LOC (10) Cl.** **12-06**

(52) **U.S. Cl.**
USPC **D12/219**

(58) **Field of Classification Search**

USPC D12/219-220; 15/246, 247, 250.001,
15/250.4, 250.361, 250.19, 250.48,
15/250.03, 250.31-250.33, 250.351,
15/250.38, 250.201, 250.451, 250.458,
15/250.04, 250.07, 250.44

See application file for complete search history.

(56) **References Cited**

U.S. PATENT DOCUMENTS

D680,051	S	*	4/2013	Tolentino et al.	D12/219
D685,713	S	*	7/2013	Wang	D12/219
D686,555	S	*	7/2013	Song et al.	D12/219
D686,556	S	*	7/2013	Song et al.	D12/219
D686,557	S	*	7/2013	Kwon	D12/219
D692,818	S	*	11/2013	Tolentino et al.	D12/219
D692,819	S	*	11/2013	Tolentino et al.	D12/220
2012/0317740	A1	*	12/2012	Yang et al.	15/250.32
2012/0324671	A1	*	12/2012	Pinto et al.	15/250.32
2012/0324672	A1	*	12/2012	Pinto et al.	15/250.48

* cited by examiner

Primary Examiner — Katrina A Betton

(74) *Attorney, Agent, or Firm* — Seed IP Law Group PLLC

(57) **CLAIM**

The ornamental design for a wiper for automobiles, as shown and described.

DESCRIPTION

FIG. 1 is an isometric view of the wiper for automobiles showing a new design.

FIG. 2 is a front view thereof.

FIG. 3 is a rear view thereof.

FIG. 4 is a left side view thereof.

FIG. 5 is a right side view thereof.

FIG. 6 is a top plan view thereof.

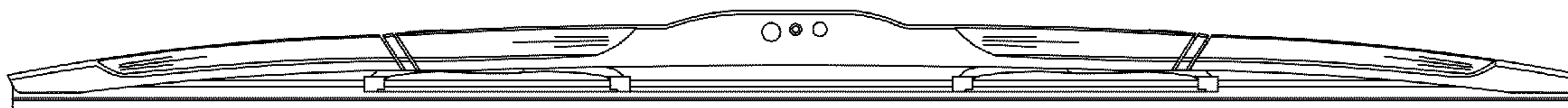
FIG. 7 is a bottom plan view thereof.

FIG. 8 is an enlarged fragmentary view showing the portion partitioned by the line 8-8' in FIG. 1.

FIG. 9 is an isometric view for showing the inner bottom portions of the wiper of FIG. 1; and,

FIG. 10 is an enlarged fragmentary view showing the portion partitioned by the line 10-10' in FIG. 9.

1 Claim, 7 Drawing Sheets



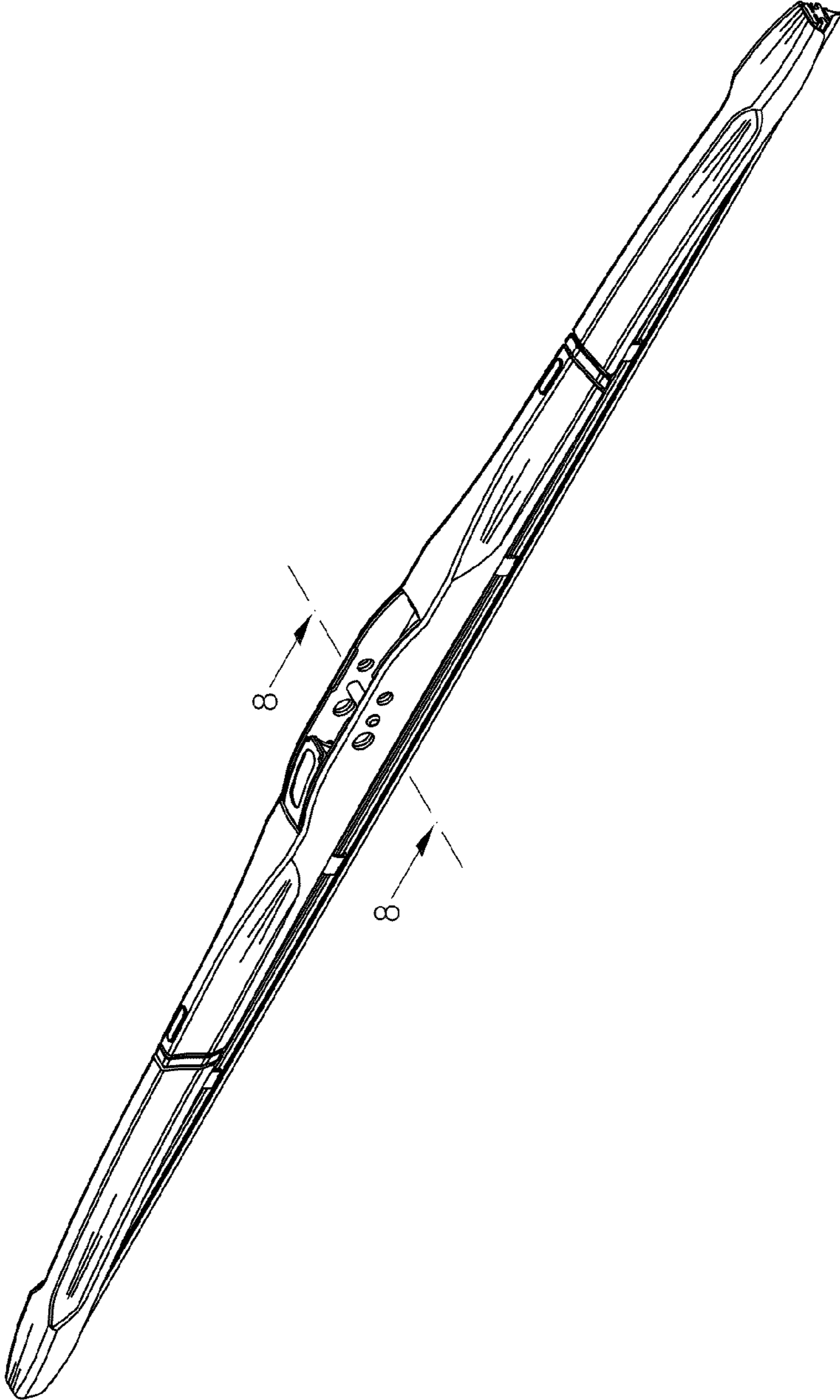


Fig. 1

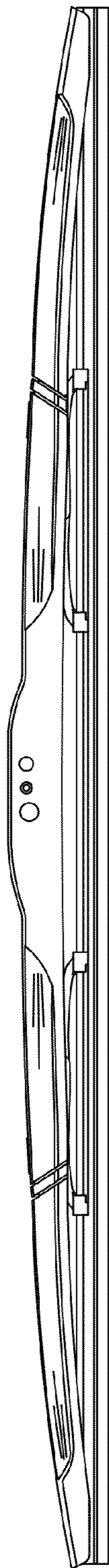


Fig. 2

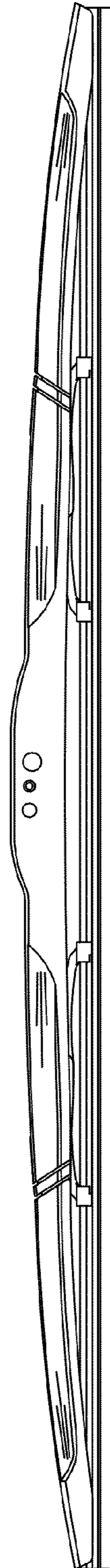


Fig. 3

Fig. 4

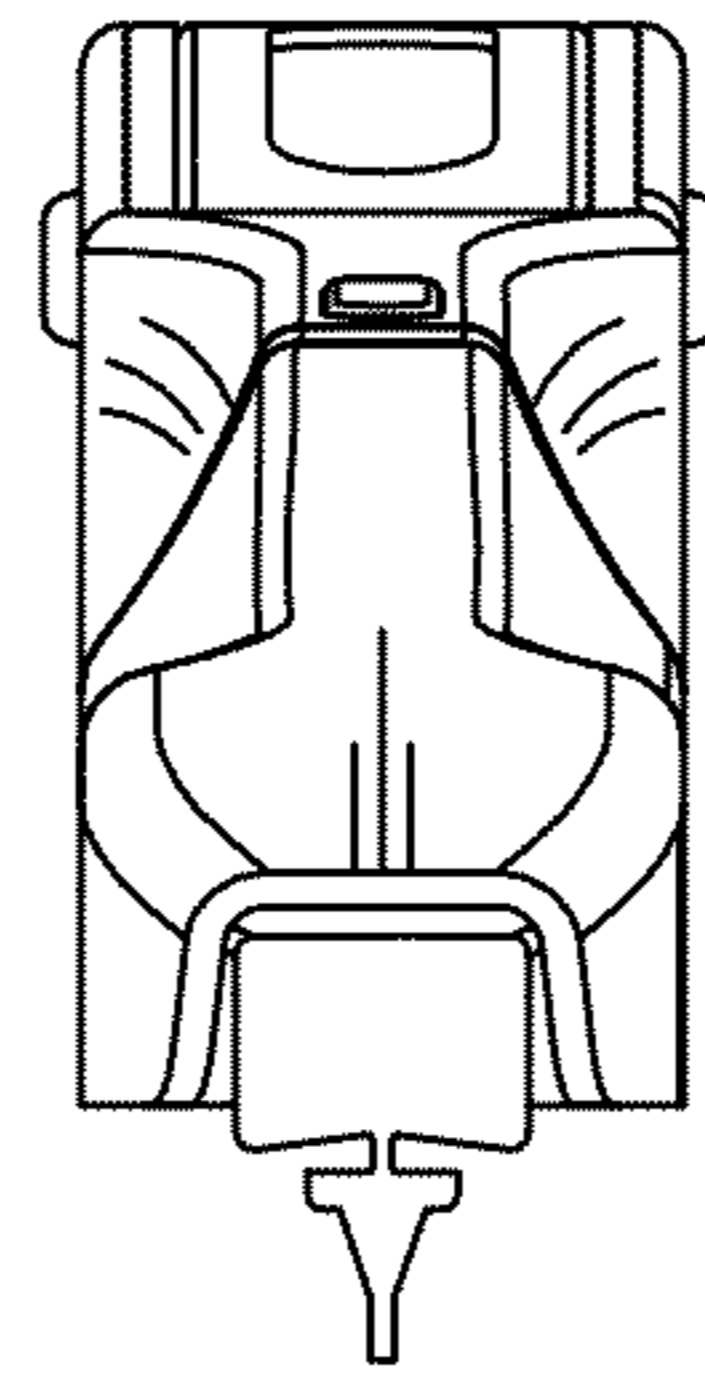
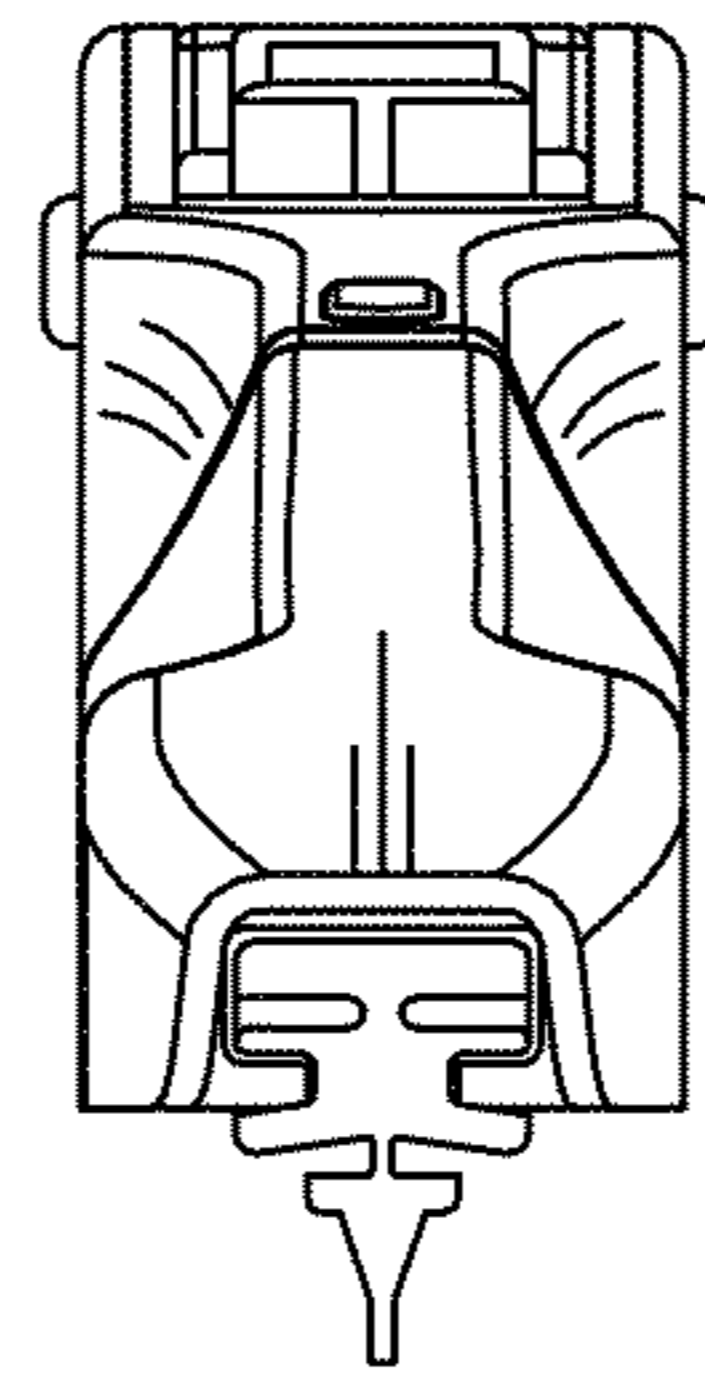


Fig. 5



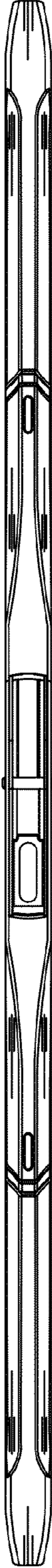
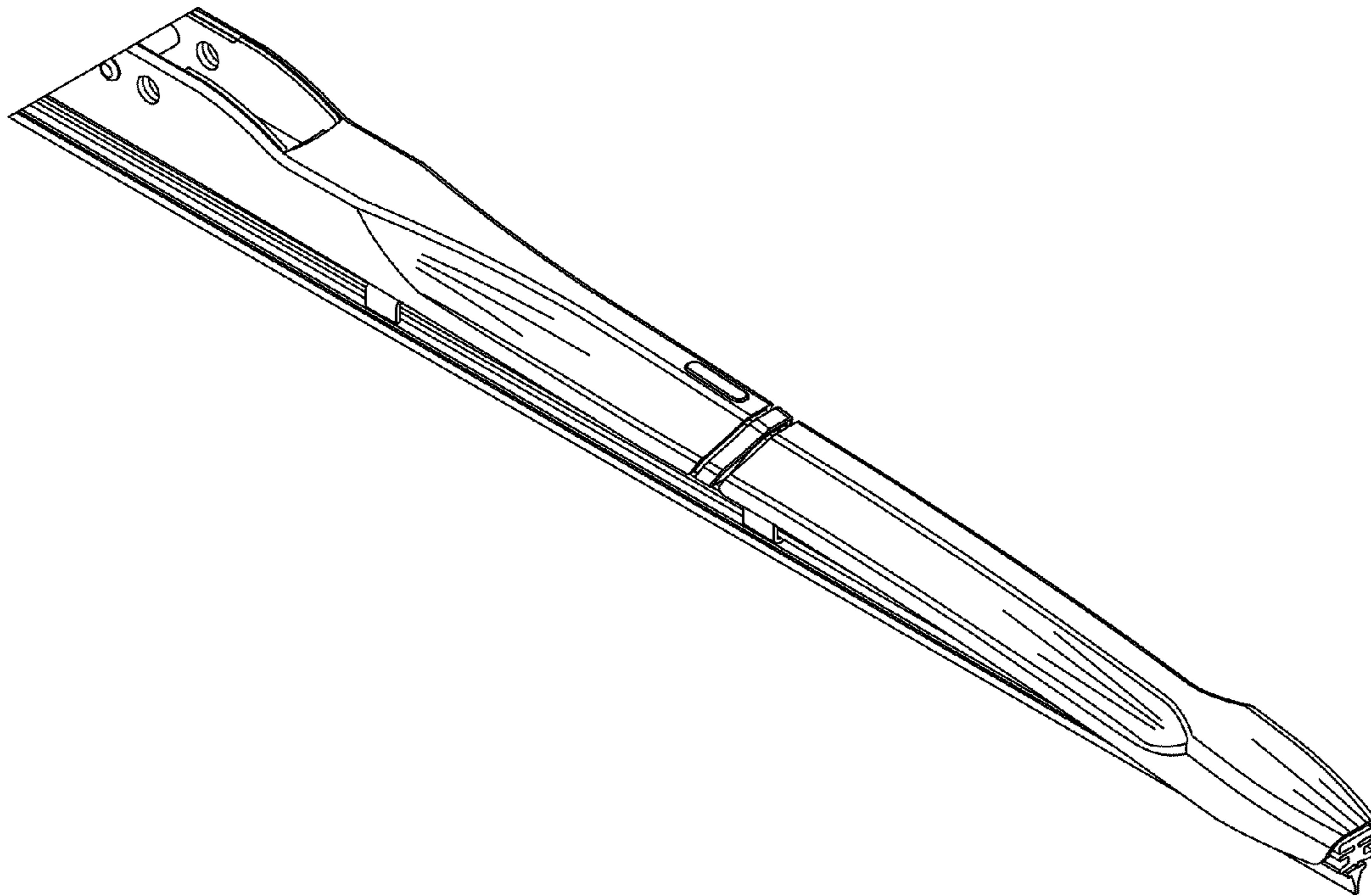


Fig. 6



Fig. 7

Fig. 8



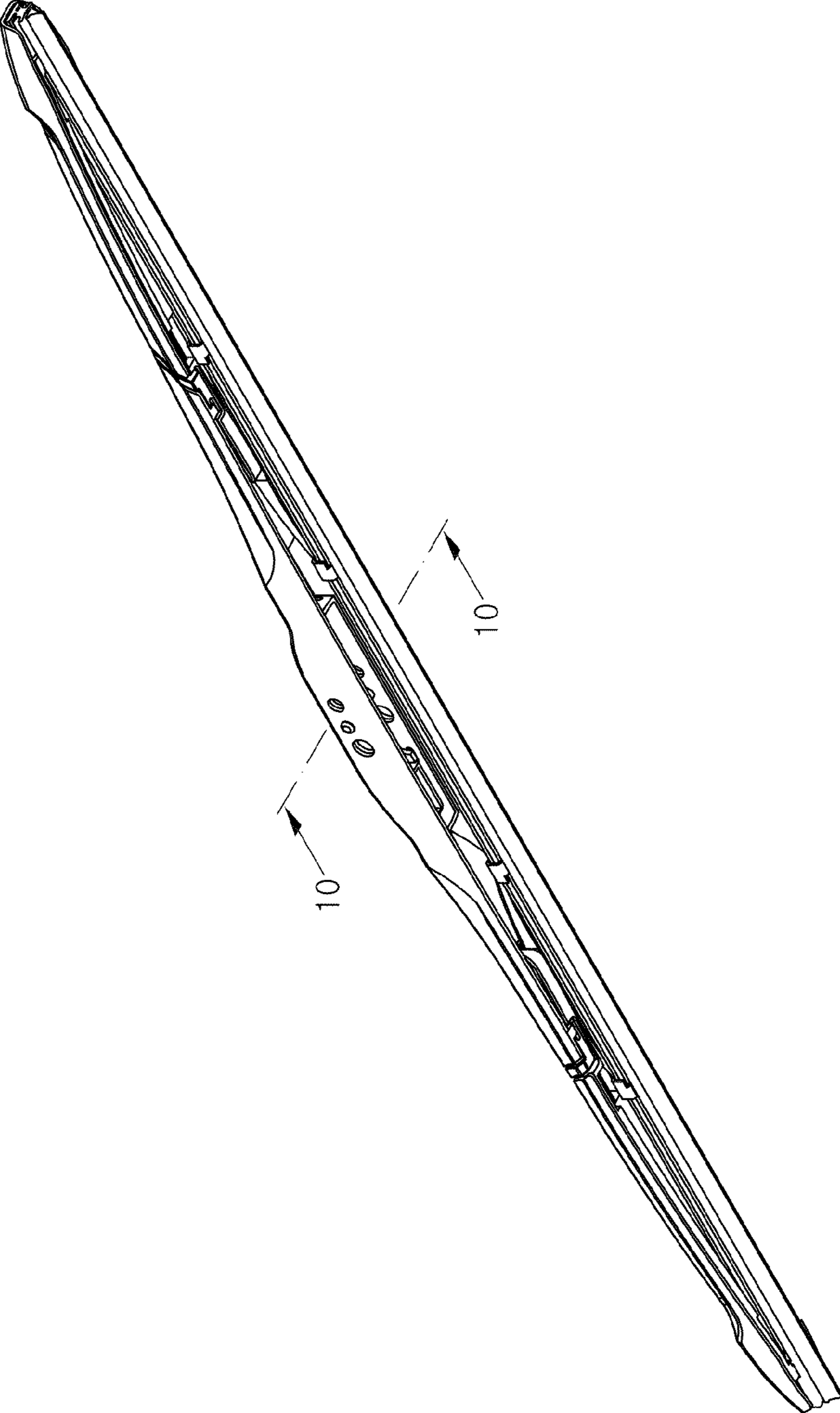


Fig. 9

Fig. 10

