



US00D702171S

(12) **United States Design Patent**
Chen et al.

(10) **Patent No.:** **US D702,171 S**
(45) **Date of Patent:** **** Apr. 8, 2014**

(54) **VEHICLE WHEEL RIM**

(71) Applicants: **YenHung Chen**, Diamond Bar, CA
(US); **HsinChi Yeh**, Diamond Bar, CA
(US)

(72) Inventors: **YenHung Chen**, Diamond Bar, CA
(US); **HsinChi Yeh**, Diamond Bar, CA
(US)

(**) Term: **14 Years**

(21) Appl. No.: **29/455,015**

(22) Filed: **May 16, 2013**

(51) **LOC (10) Cl.** **12-16**

(52) **U.S. Cl.**
USPC **D12/209**

(58) **Field of Classification Search**
USPC D12/204-213; 301/37.101, 64.101, 65,
301/64.201, 35.63, 35.628
See application file for complete search history.

(56) **References Cited**

U.S. PATENT DOCUMENTS

2,217,646 A * 10/1940 Eksergian 301/35.628
2,552,936 A * 5/1951 Chatterton 301/35.63
D225,842 S * 1/1973 Clement D12/209

D318,449 S * 7/1991 Lipper D12/211
D358,797 S * 5/1995 Botterman D12/209
D361,052 S * 8/1995 Clements et al. D12/209
D397,662 S * 9/1998 LeJuerne D12/209
D502,436 S * 3/2005 Kudo et al. D12/209
D521,919 S * 5/2006 Mahachanh et al. D12/209
D523,384 S * 6/2006 Metros et al. D12/209
D662,018 S * 6/2012 Grossenbacher D12/209
D662,021 S * 6/2012 Grossenbacher D12/209
D662,023 S * 6/2012 Grossenbacher D12/209
D669,409 S * 10/2012 Arakelian D12/211

* cited by examiner

Primary Examiner — Stacia Cadmus

(74) *Attorney, Agent, or Firm* — Jen-Feng Lee, Esq.

(57) **CLAIM**

We claim the ornamental design for a vehicle wheel rim, as shown and described.

DESCRIPTION

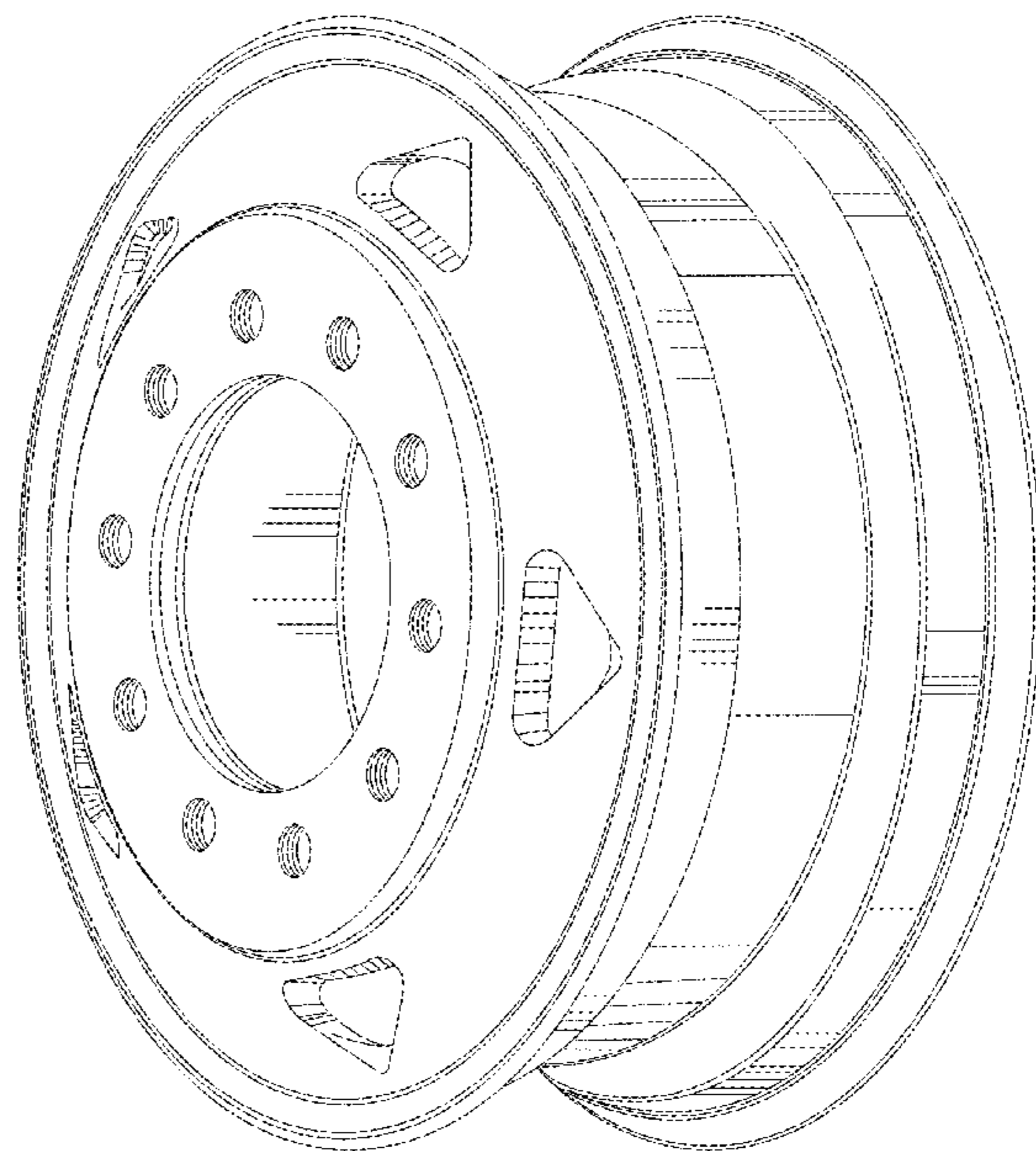
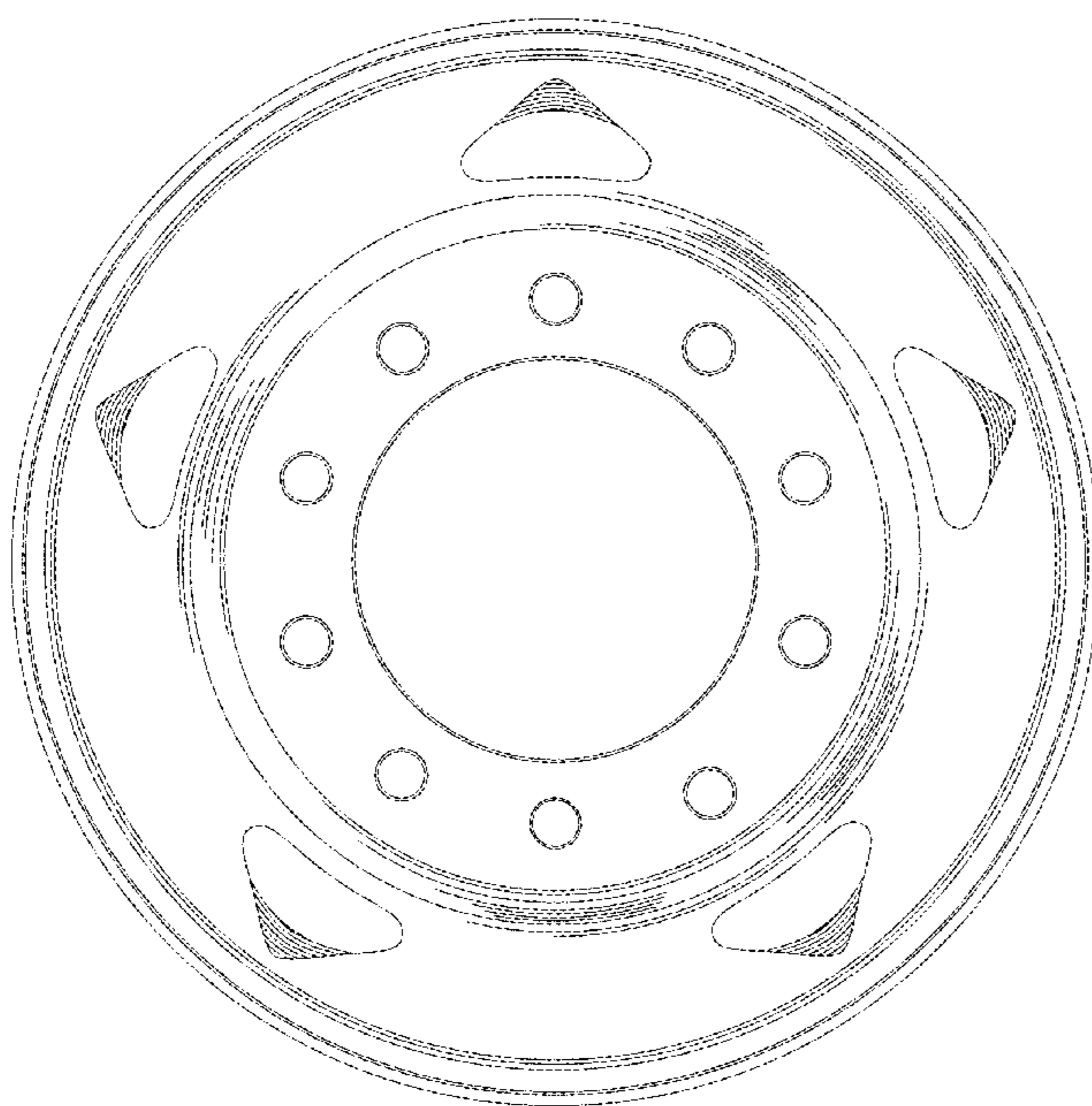
FIG. 1 is a elevated front view of a vehicle wheel rim showing our new design,

FIG. 2 is a perspective view of the front and right-side thereof,

FIG. 3 is a side view thereof; and,

FIG. 4 is a rear view thereof.

1 Claim, 4 Drawing Sheets



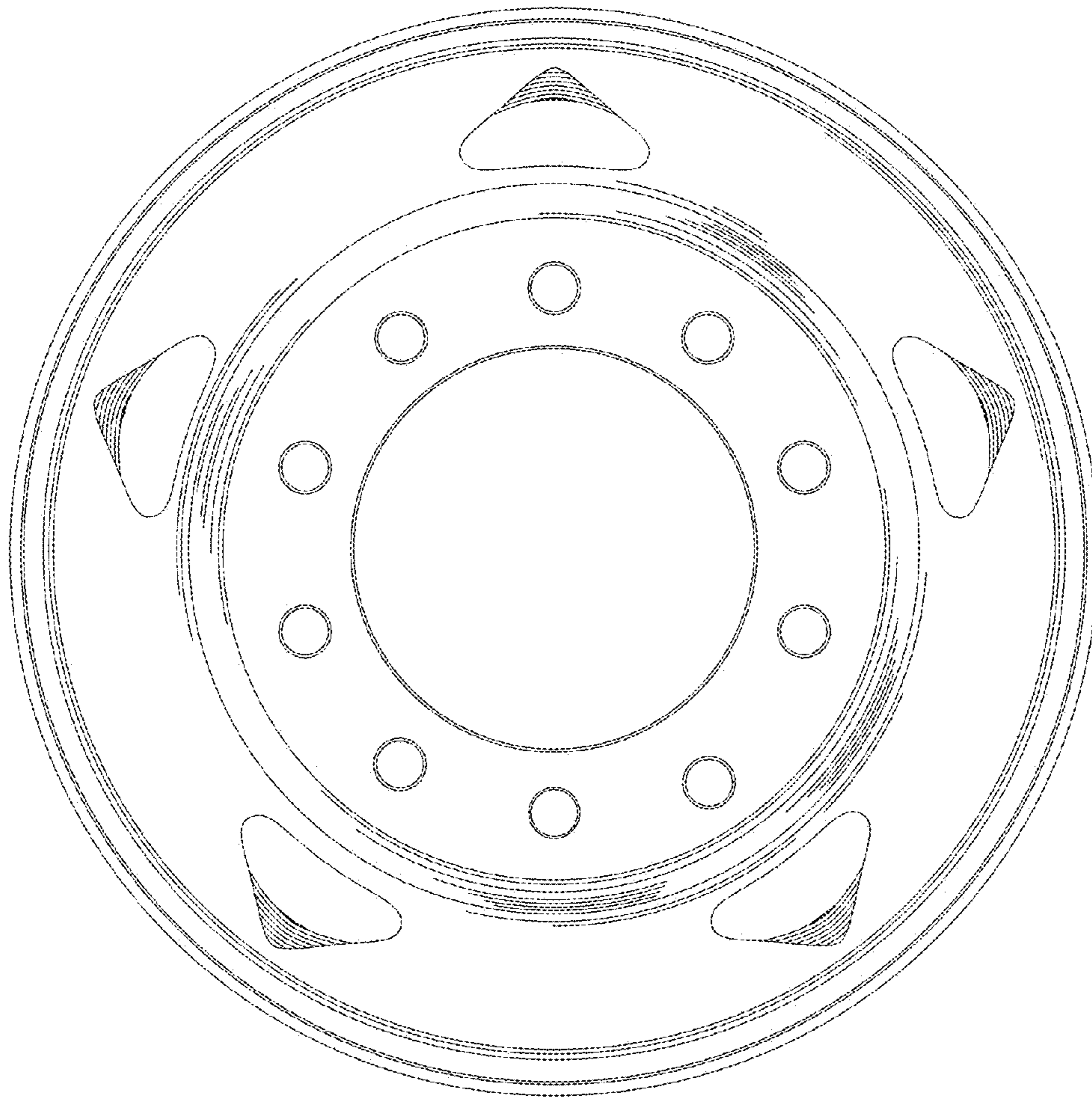


FIGURE 1

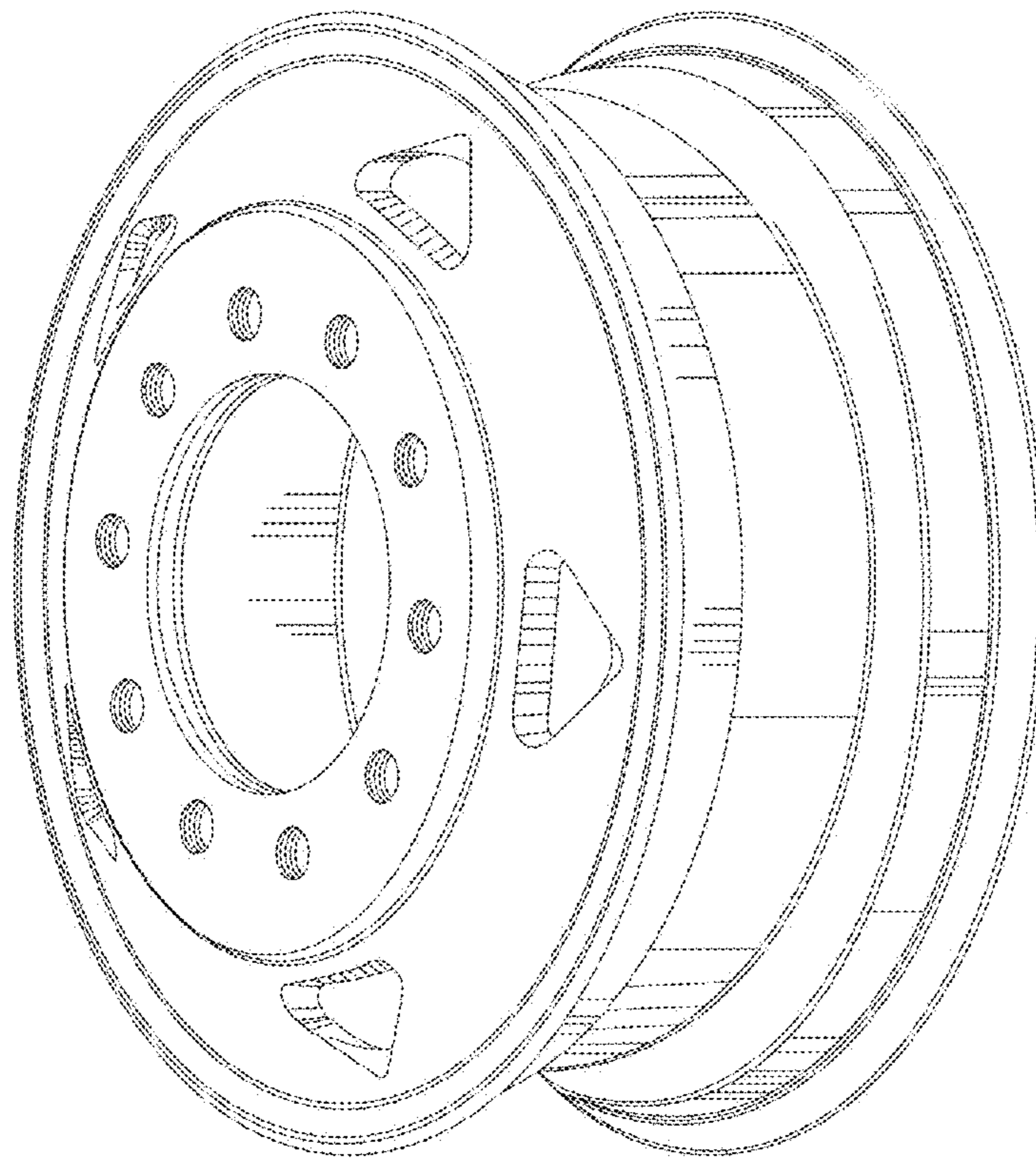


FIGURE 2

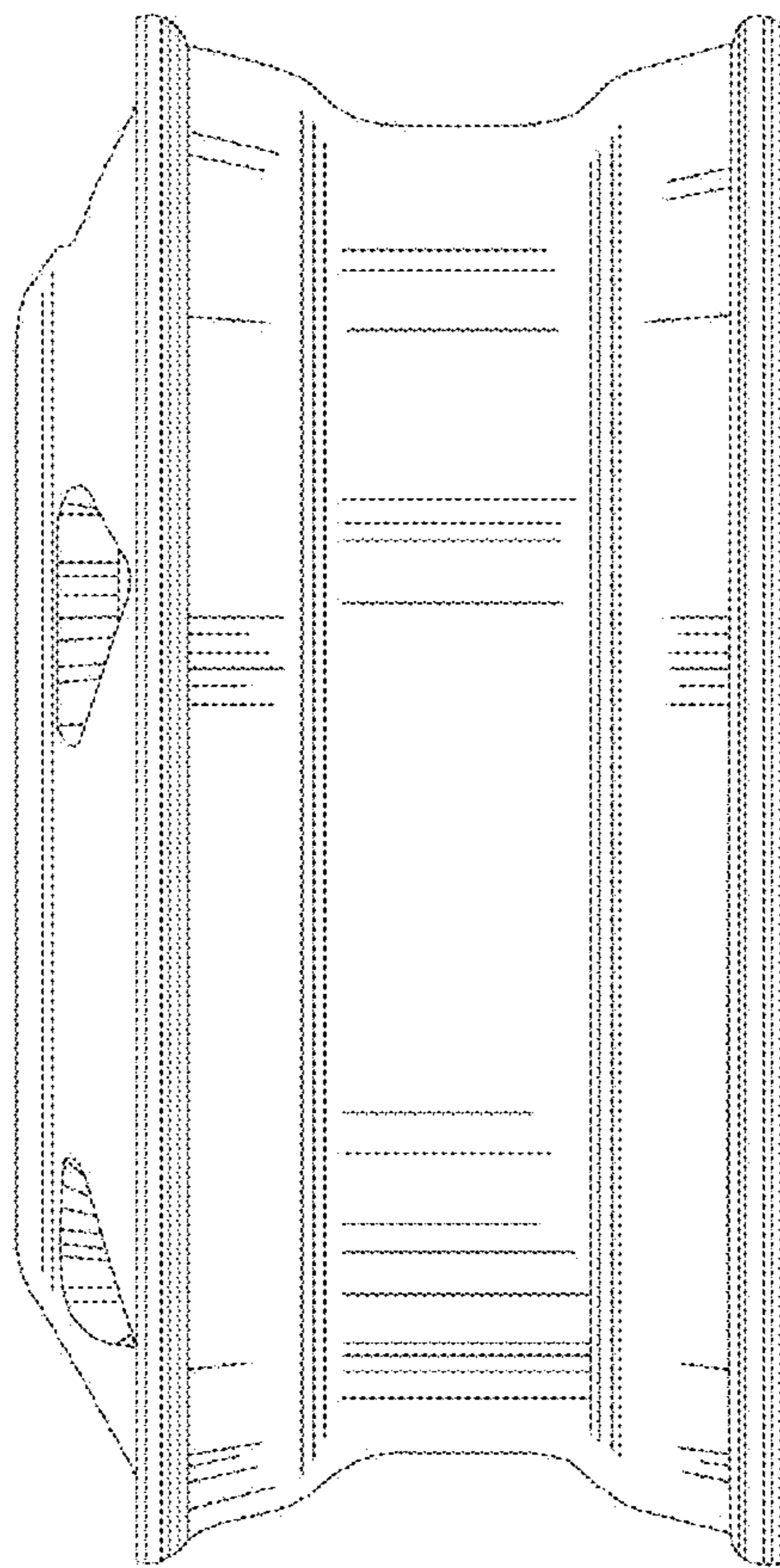


FIGURE 3

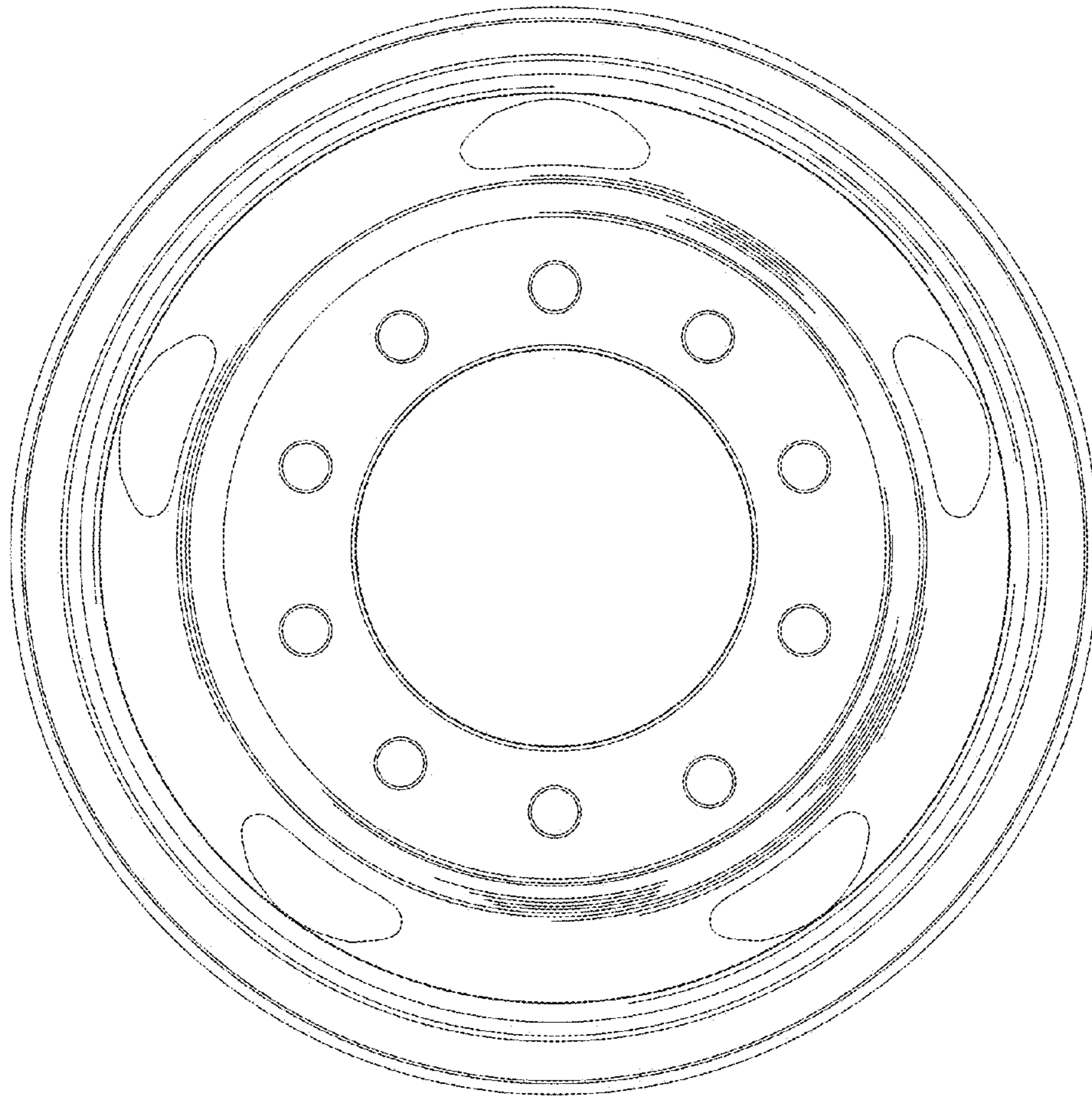


FIGURE 4