



US00D702165S

(12) **United States Design Patent**
Geberth

(10) **Patent No.:** **US D702,165 S**

(45) **Date of Patent:** **** Apr. 8, 2014**

(54) **FLOOR SHIFTER**

(71) Applicant: **Daniel Geberth**, Odessa, FL (US)

(72) Inventor: **Daniel Geberth**, Odessa, FL (US)

(**) Term: **14 Years**

(21) Appl. No.: **29/443,417**

(22) Filed: **Jan. 17, 2013**

(51) **LOC (10) Cl.** **12-16**

(52) **U.S. Cl.**
USPC **D12/174; D12/179**

(58) **Field of Classification Search**
USPC D12/110, 114, 117, 122, 125, 126, 174,
D12/179, 180, 222, 400; D15/5, 149;
74/473.16, 473.17, 473.2, 474, 478,
74/478.5, 512, 560, 561, 562, 563, 594.4,
74/564; 180/219, 230, 291–294, 336;
188/73.1, 344; 192/3.54, 3.61, 48.1,
192/48.3, 48.7, 99 A, 99 B, 99 R, 99 S;
280/259, 291, 288.4, 293, 298, 304.3,
280/755, 848; 296/75; 403/257

See application file for complete search history.

(56) **References Cited**

U.S. PATENT DOCUMENTS

D211,209 S *	5/1968	Hauser	D15/149
D265,817 S *	8/1982	Hahn	D12/179
4,474,085 A *	10/1984	DeVogelaere et al.	477/99
D281,409 S *	11/1985	Cambria	D12/179
4,581,951 A	4/1986	Watson		
4,693,135 A	9/1987	LaRocca et al.		
4,756,205 A	7/1988	Dickinson		
4,873,884 A	10/1989	Yamada et al.		
4,998,446 A	3/1991	Towne et al.		
5,085,096 A *	2/1992	Behrens	74/473.23
5,144,853 A	9/1992	Giudici		
5,287,743 A	2/1994	Doolittle et al.		
5,419,214 A	5/1995	Buhl et al.		
5,489,246 A *	2/1996	Moody et al.	477/96

5,493,931 A	2/1996	Niskanen		
D368,104 S *	3/1996	Pfister et al.	D15/149
5,505,103 A	4/1996	Nordstrom et al.		
5,592,856 A	1/1997	Parsons		
5,651,290 A	7/1997	Osborn et al.		
5,735,177 A	4/1998	Crack		

(Continued)

OTHER PUBLICATIONS

Registered User: SAMX. Numeric Racing Short Shifter Review. 6SpeedOnline. Jun. 5, 2012 [online], [retrieved on Nov. 6, 2013]. Retrieved from the Internet <URL: <http://www.6speedonline.com/forums/996-turbo-gt2/277735-numeric-racing-short-shifter-review.html>>.*

(Continued)

Primary Examiner — Philip S Hyder
Assistant Examiner — Darlington Ly
(74) *Attorney, Agent, or Firm* — Larson & Larson, P.A.;
Frank Liebenow; Justin P. Miller

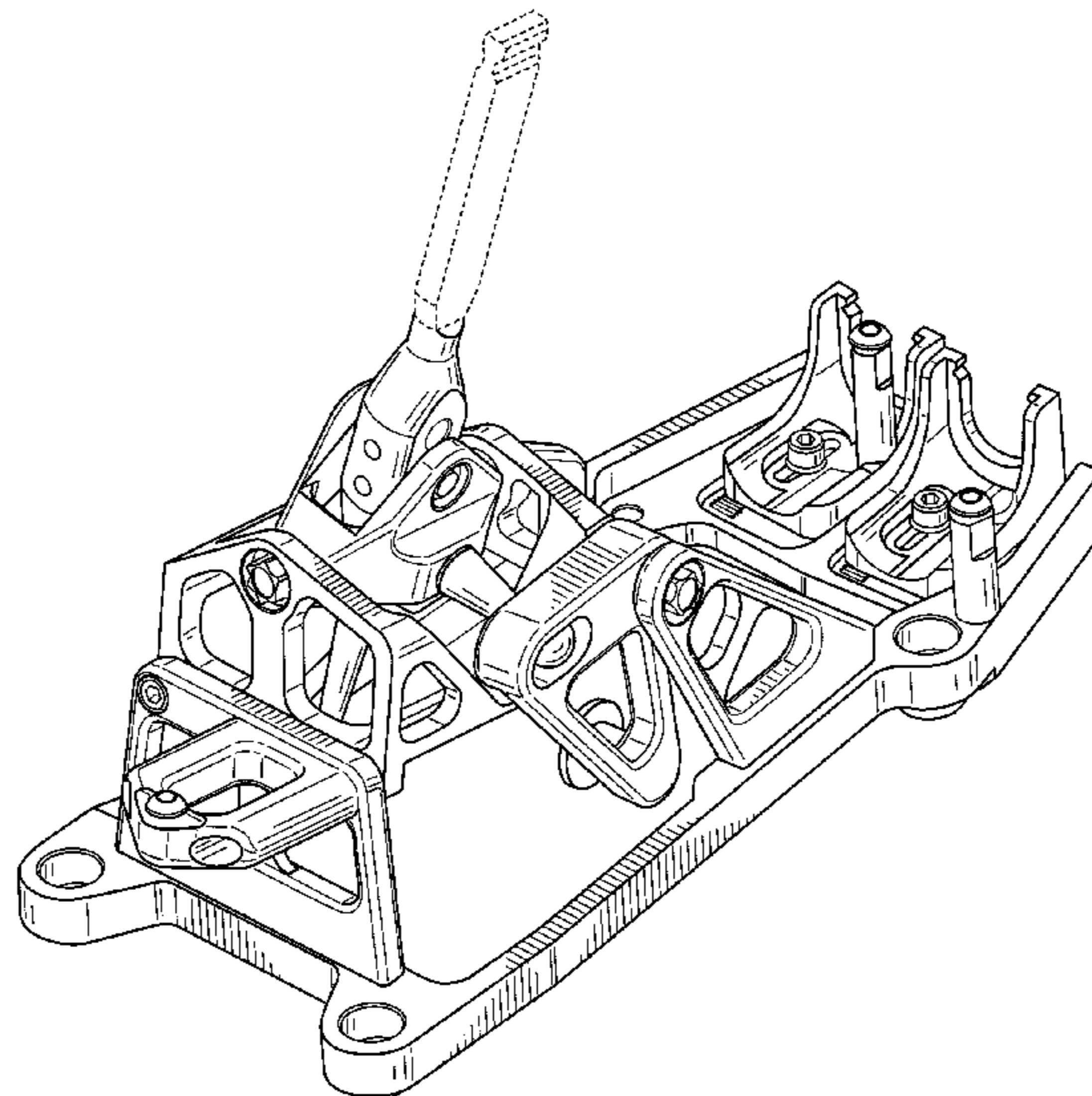
(57) **CLAIM**

I claim the ornamental design for a floor shifter, as shown and described.

DESCRIPTION

FIG. 1 is a front perspective view of the floor shifter showing my new design;
FIG. 2 is a rear perspective view thereof;
FIG. 3 is a front elevation view thereof;
FIG. 4 is a rear elevation view thereof;
FIG. 5 is a left side elevation view thereof;
FIG. 6 is a right side elevation view thereof;
FIG. 7 is a top plan view thereof; and,
FIG. 8 is a bottom plan view thereof.
The broken lines shown in the drawings illustrate portions of a shift handle extension for the floor shifter that forms no part of claimed design.

1 Claim, 8 Drawing Sheets



(56)

References Cited

U.S. PATENT DOCUMENTS

5,896,778 A 4/1999 Murakami et al.
6,196,079 B1 3/2001 Paparoni
6,231,476 B1 * 5/2001 Reasoner et al. 477/99
6,581,490 B1 6/2003 Graus
D594,796 S * 6/2009 Ballard et al. D12/179
D601,470 S * 10/2009 Griffin et al. D12/179
D601,472 S * 10/2009 Griffin et al. D12/179
7,854,181 B2 12/2010 Ciamillo

7,900,534 B2 3/2011 Kusayama
2003/0213326 A1 11/2003 Fett et al.
2013/0220051 A1 * 8/2013 Geberth et al. 74/473.3

OTHER PUBLICATIONS

Numeric Racing. Porsche GT3 Short Throw Shifter By Numeric Racing. Nov. 5, 2012 [online], [retrieved on Nov. 6, 2013]. Retrieved from the Internet <URL: <http://numericracing.wordpress.com/2012/11/08/porsche-gt3-short-throw-shifter-by-numeric-racing/>>.*

* cited by examiner

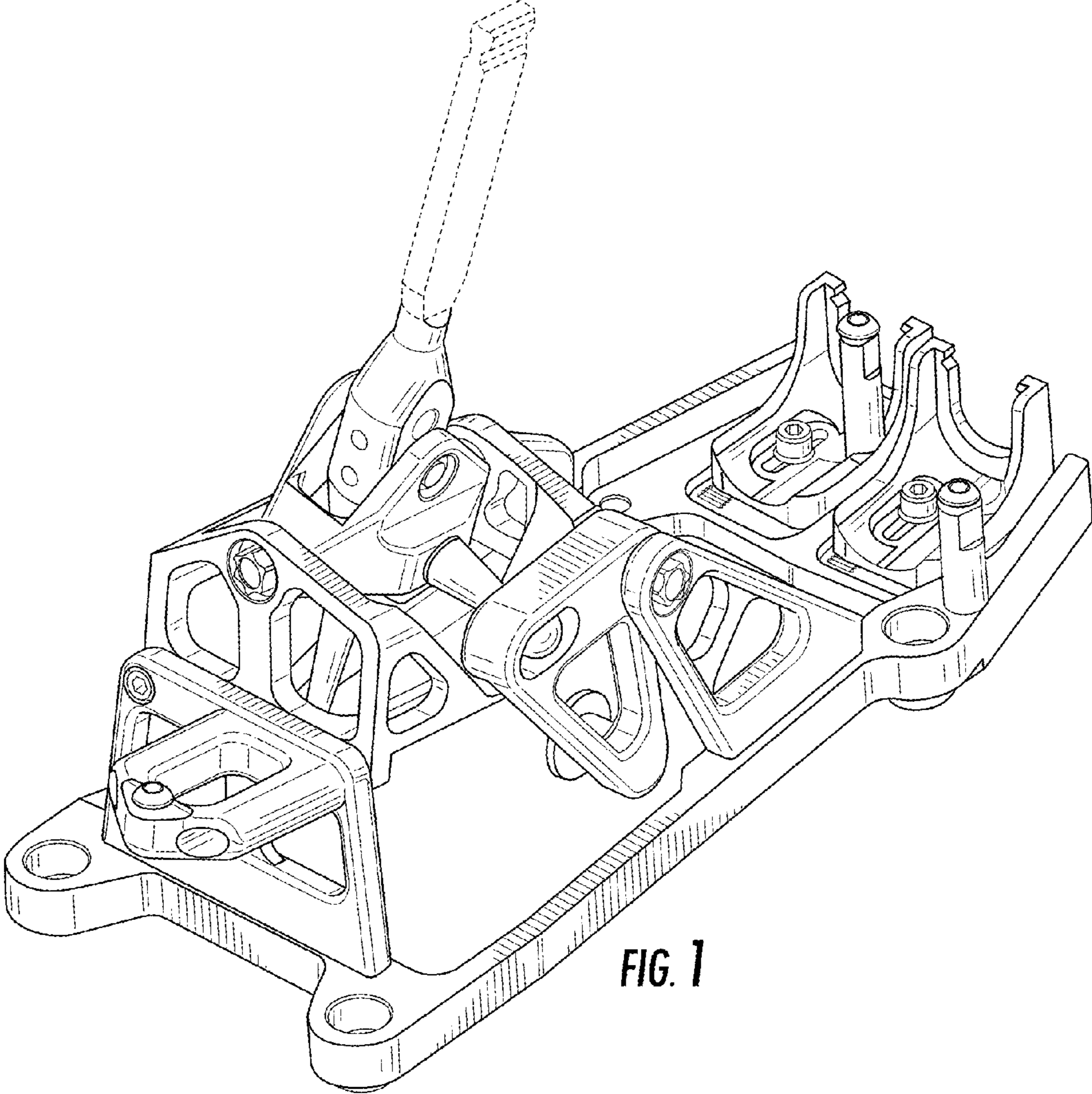


FIG. 1

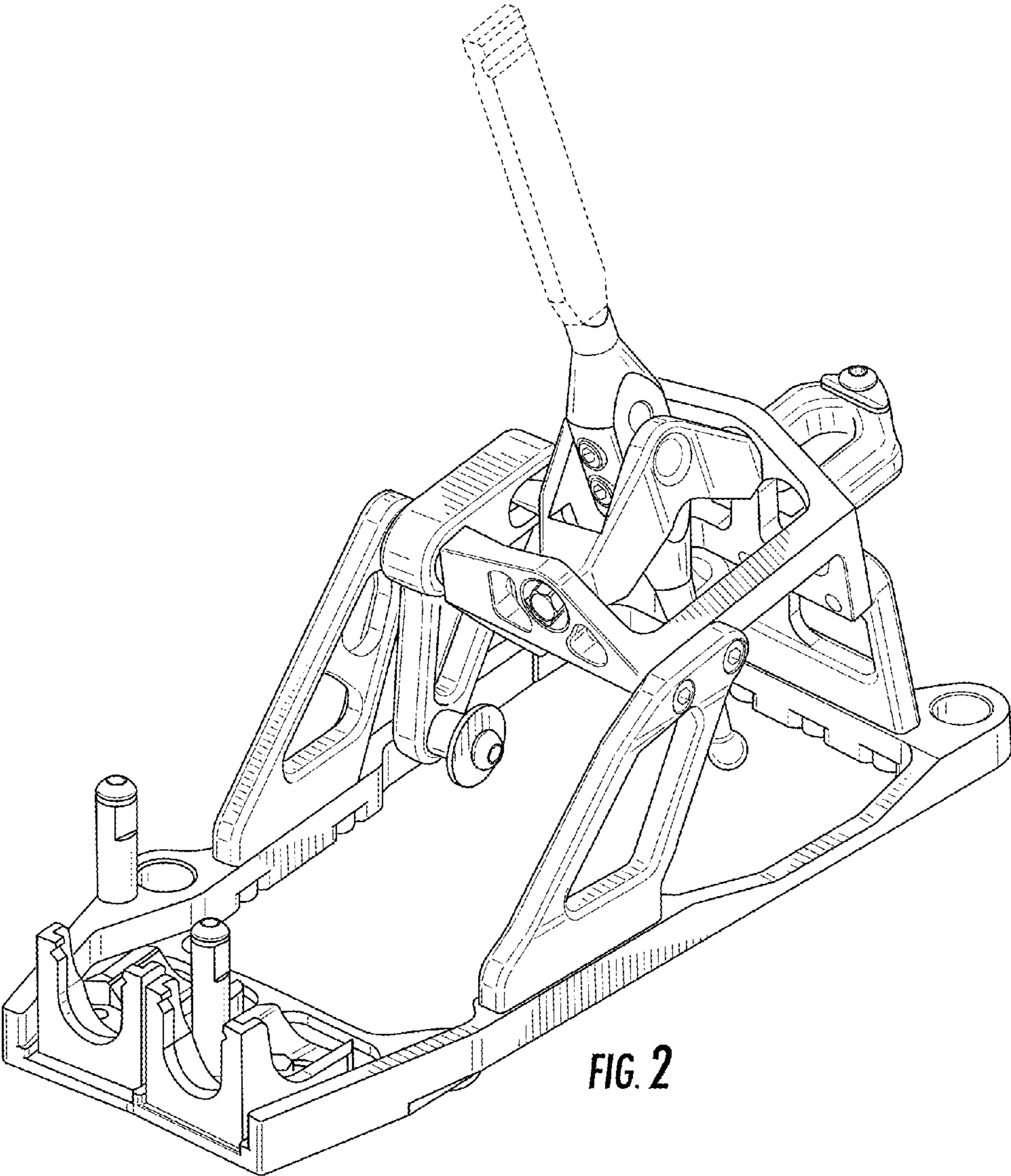


FIG. 2

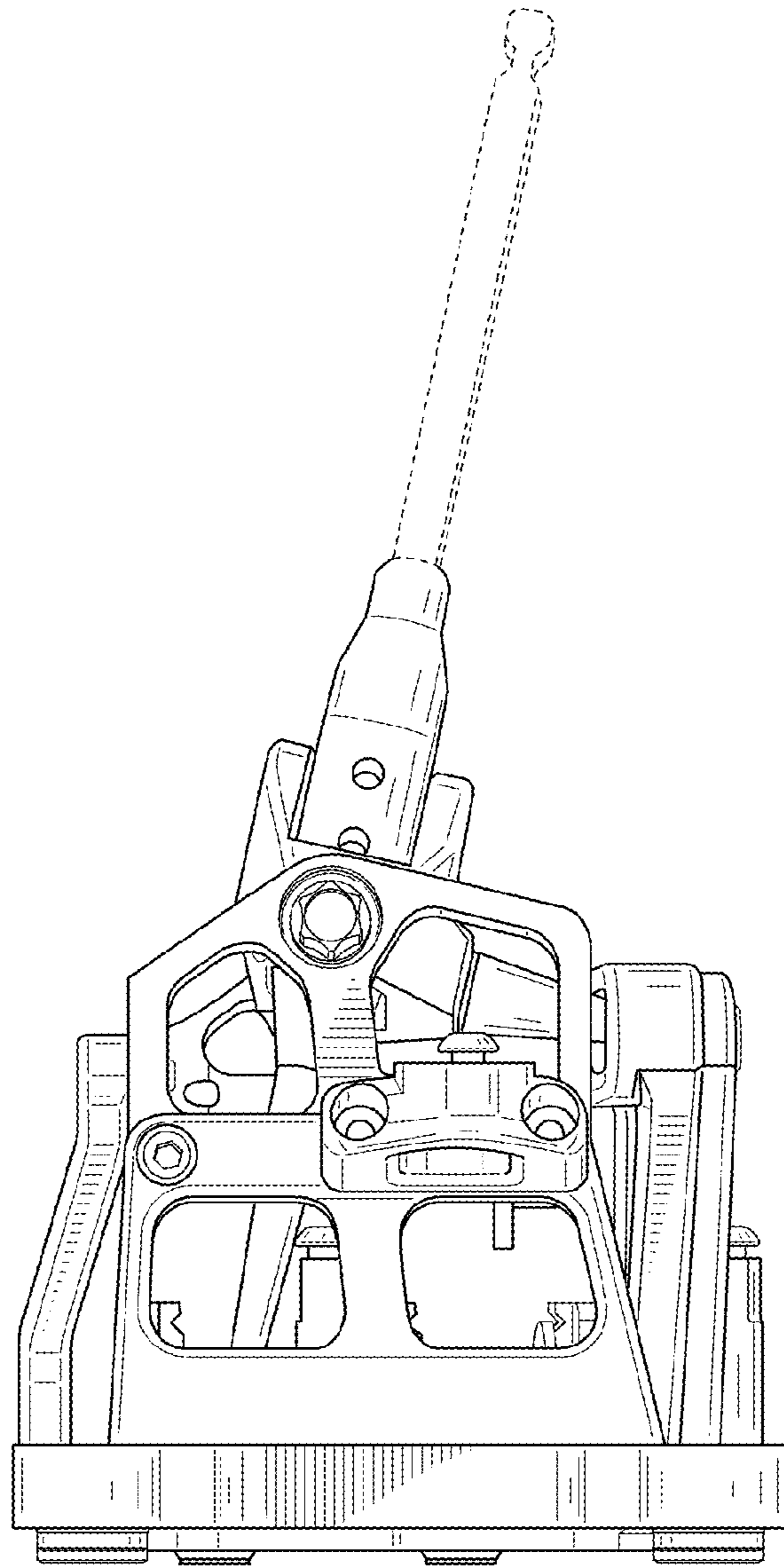


FIG. 3

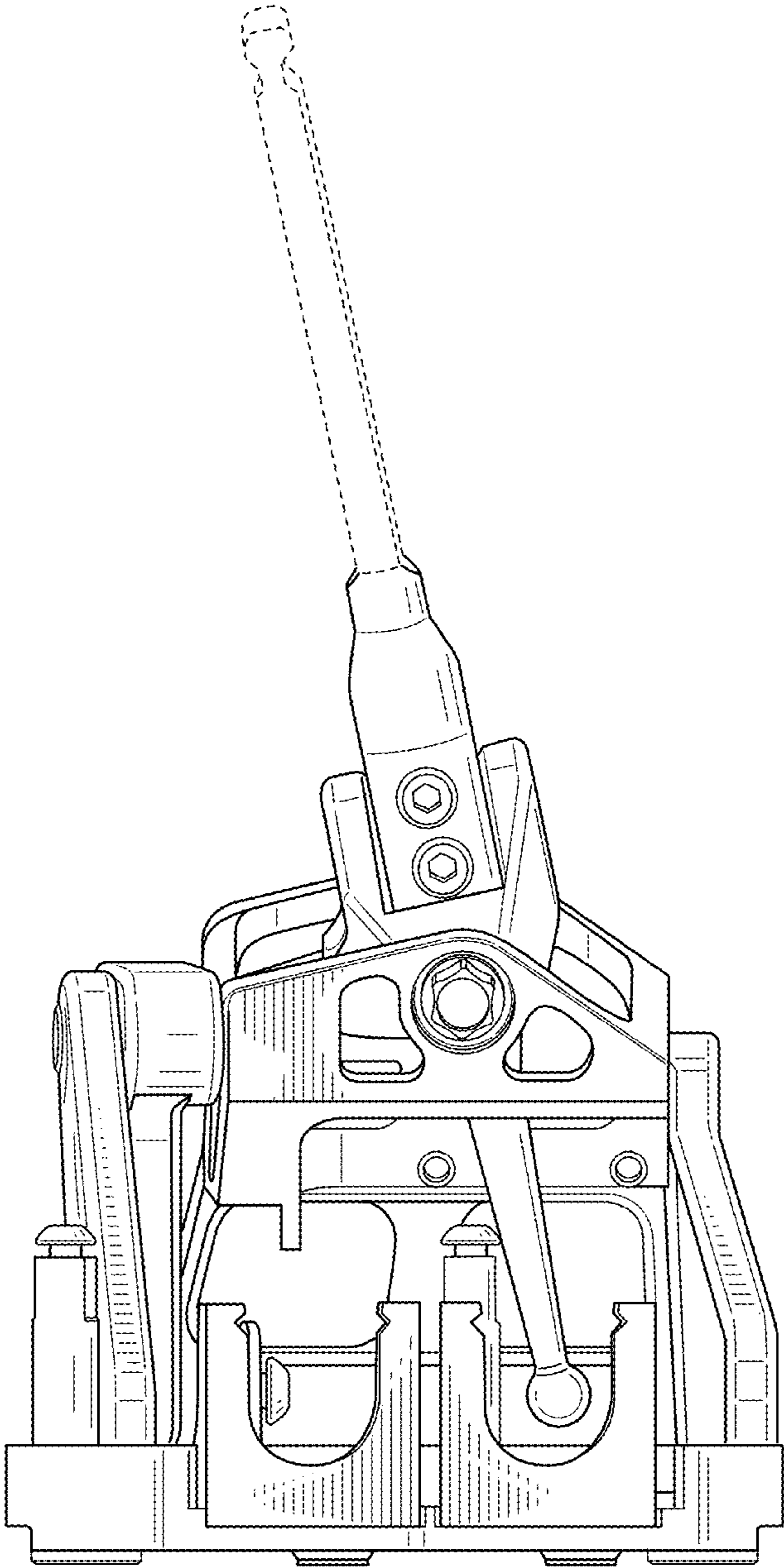
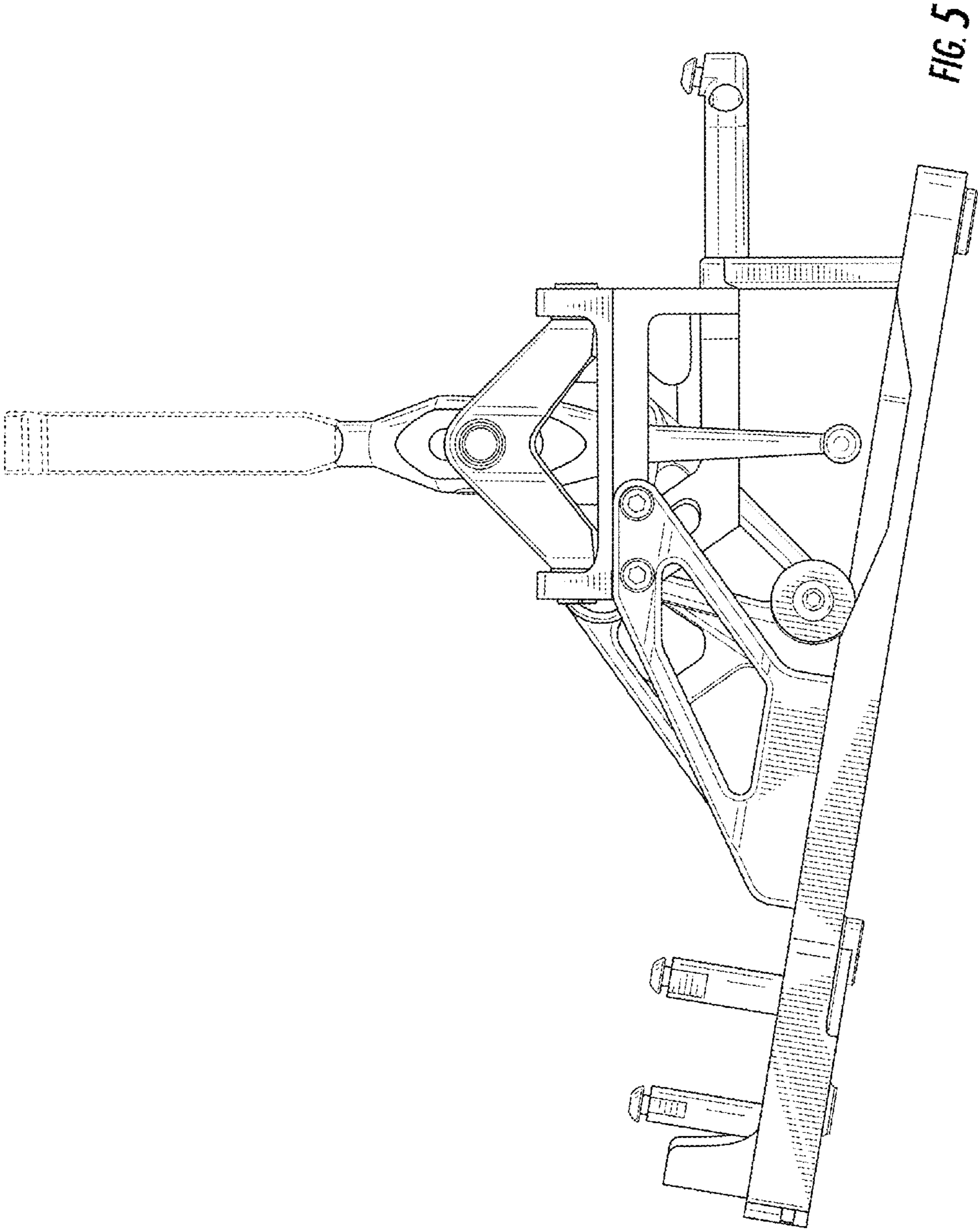


FIG. 4



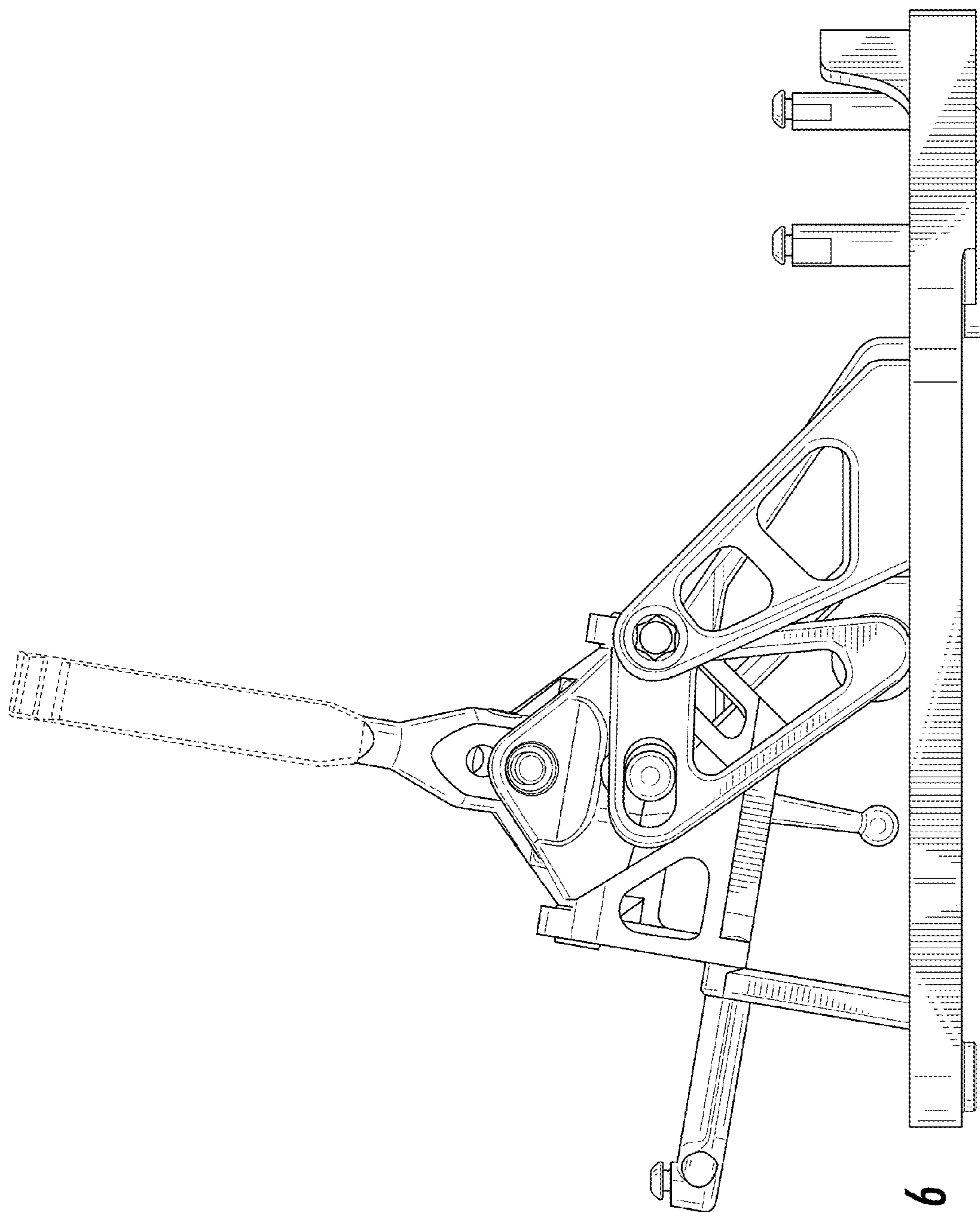


FIG. 6

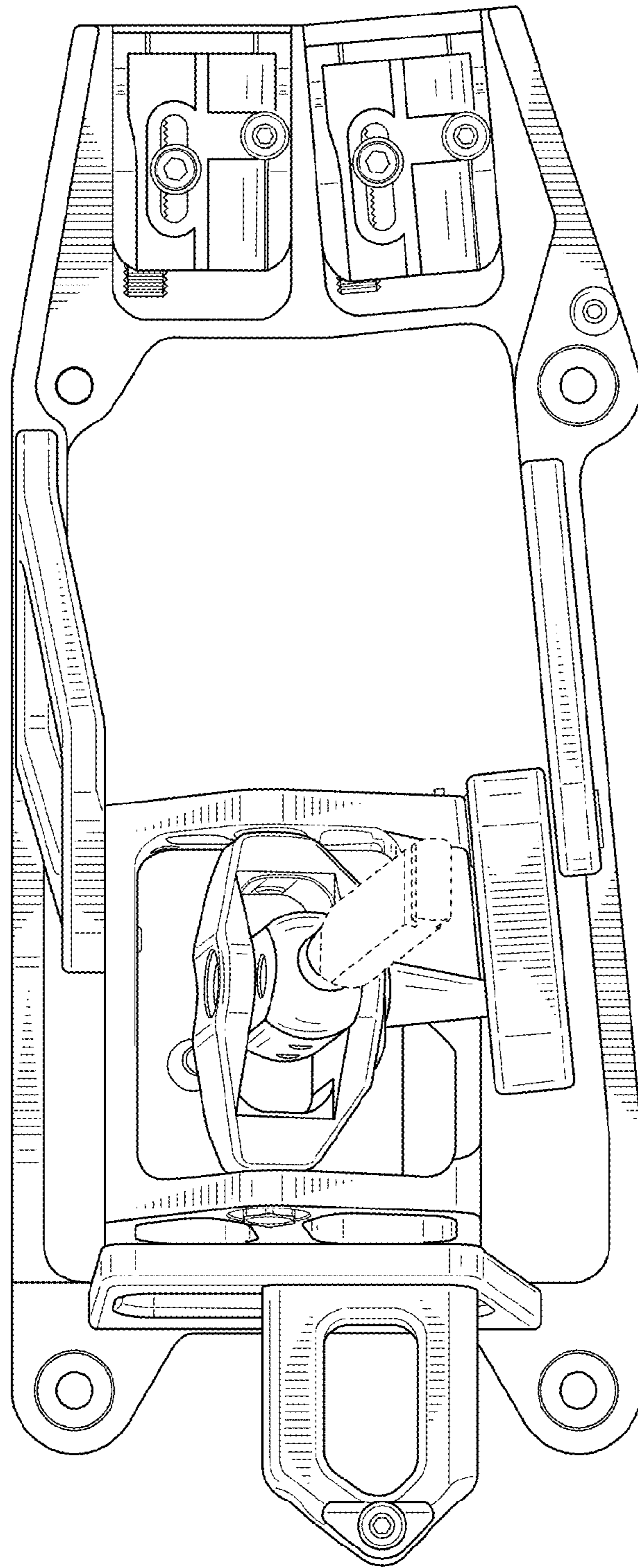


FIG. 7

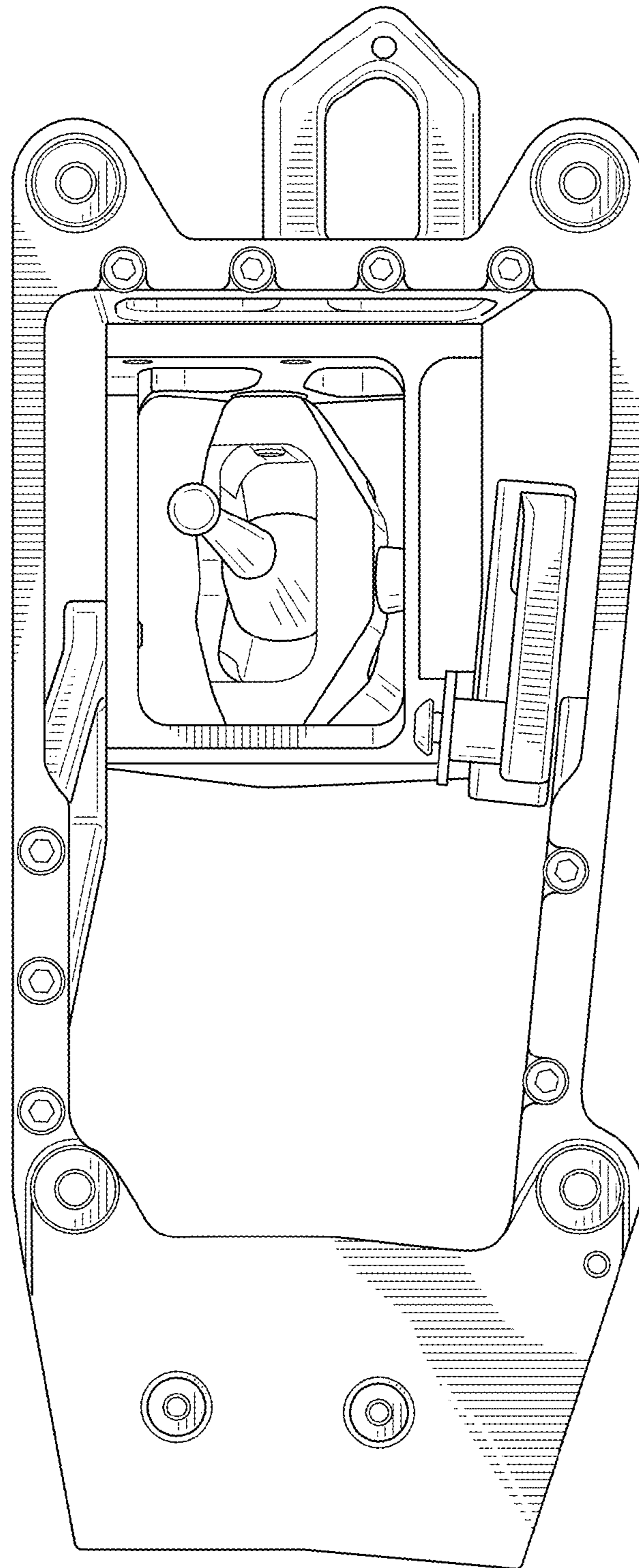


FIG. 8