



US00D702151S

(12) **United States Design Patent**
Kaneko et al.

(10) **Patent No.:** **US D702,151 S**

(45) **Date of Patent:** **** Apr. 8, 2014**

(54) **BELT ADJUSTER**

(56) **References Cited**

(71) Applicant: **YKK Corporation**, Tokyo (JP)

U.S. PATENT DOCUMENTS

(72) Inventors: **Hitoshi Kaneko**, Toyama (JP); **Tomoko Yagami**, Tokyo (JP)

D364,833 S *	12/1995	Matoba	D11/218
D507,763 S *	7/2005	Kaneko et al.	D11/218
D510,297 S *	10/2005	Funo et al.	D11/218
D610,946 S *	3/2010	Harada	D11/218
D648,653 S *	11/2011	Kadoishi	D11/218
D649,907 S *	12/2011	Kataguchi	D11/218

(73) Assignee: **YKK Corporation** (JP)

* cited by examiner

(**) Term: **14 Years**

Primary Examiner — Ralf Seifert

(21) Appl. No.: **29/451,080**

(74) *Attorney, Agent, or Firm* — Kilpatrick Townsend & Stockton LLP

(22) Filed: **Mar. 27, 2013**

(57) **CLAIM**

The ornamental design for a belt adjuster, as shown and described.

(30) **Foreign Application Priority Data**

DESCRIPTION

Nov. 28, 2012 (JP) 2012-029021

(51) **LOC (10) Cl.** **02-07**

(52) **U.S. Cl.**
USPC **D11/218**

(58) **Field of Classification Search**
USPC D11/1-2, 200-201, 206-210, 214-218;
24/163 R, 169-171, 173, 177-179, 191,
24/194-195, 197, 200, 614-616, 625, 198

FIG. 1 is a first perspective view of the front, bottom and right side of a belt adjuster showing my (our) new design;
FIG. 2 is a second perspective view of the front, top and right side thereof;
FIG. 3 is a front view thereof;
FIG. 4 is a rear view thereof;
FIG. 5 is a right side view thereof, the left side view being mirror image thereof;
FIG. 6 is a top plan view thereof; and,
FIG. 7 is a bottom view thereof.

See application file for complete search history.

1 Claim, 6 Drawing Sheets

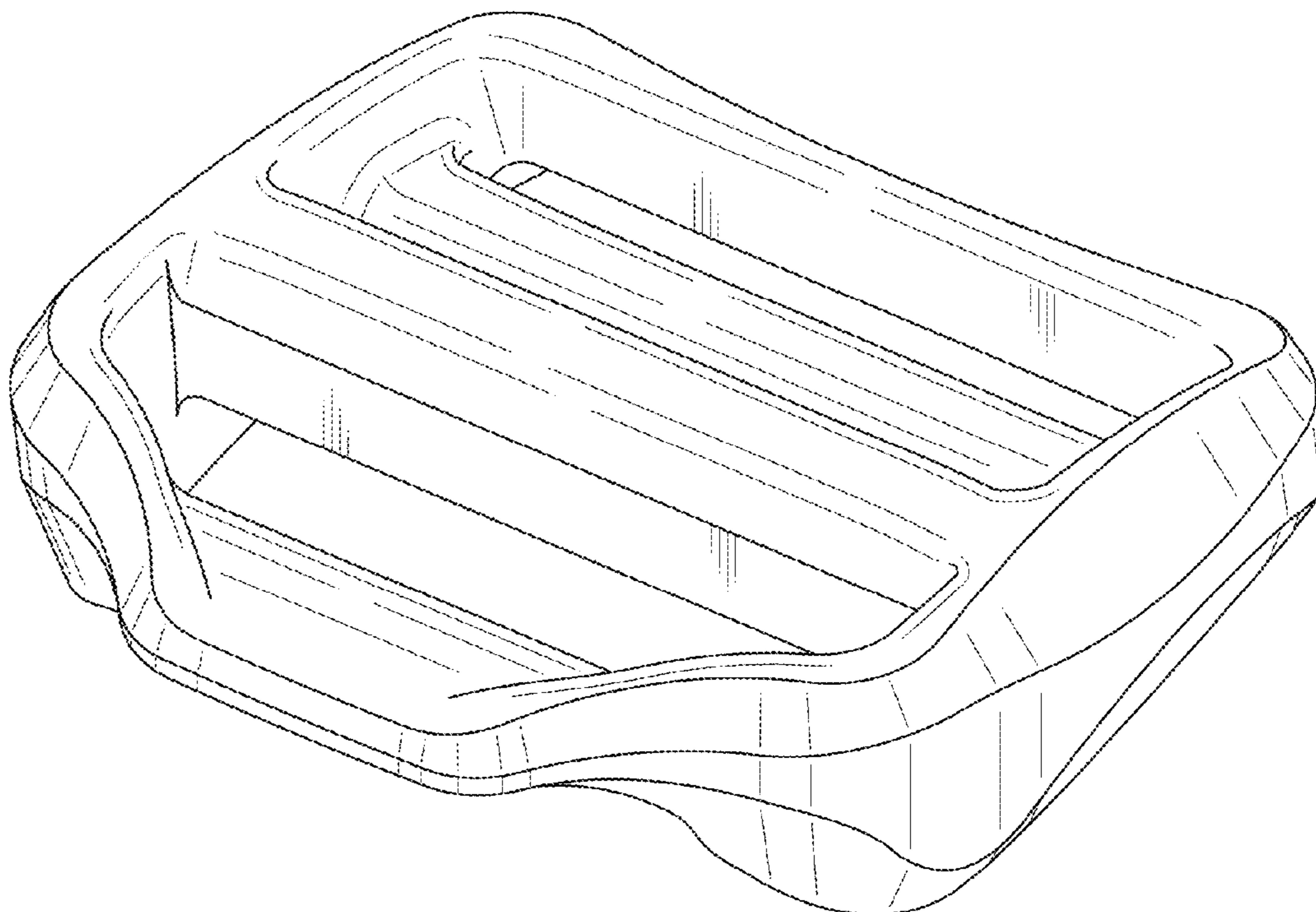


FIG. 1

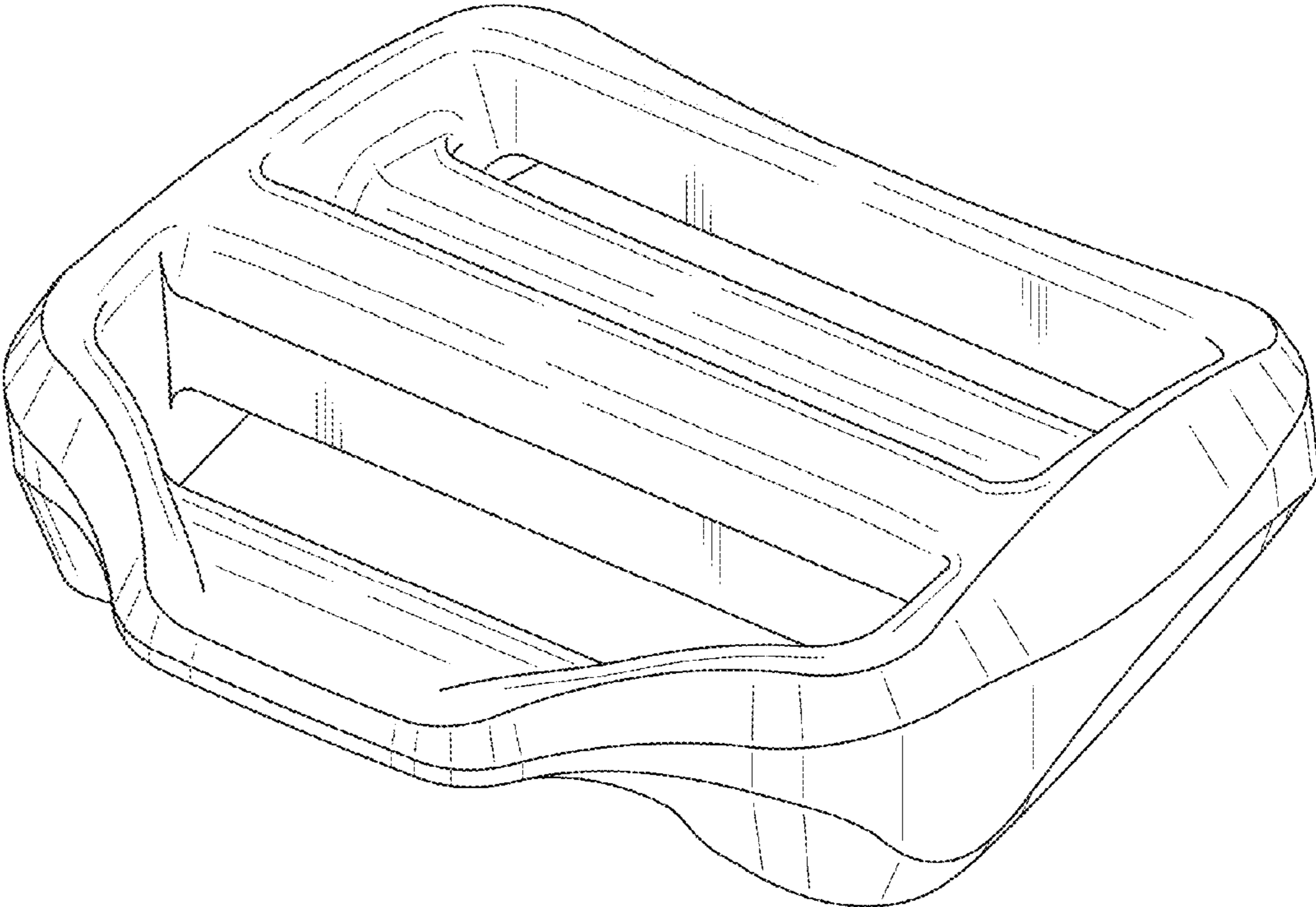


FIG. 2

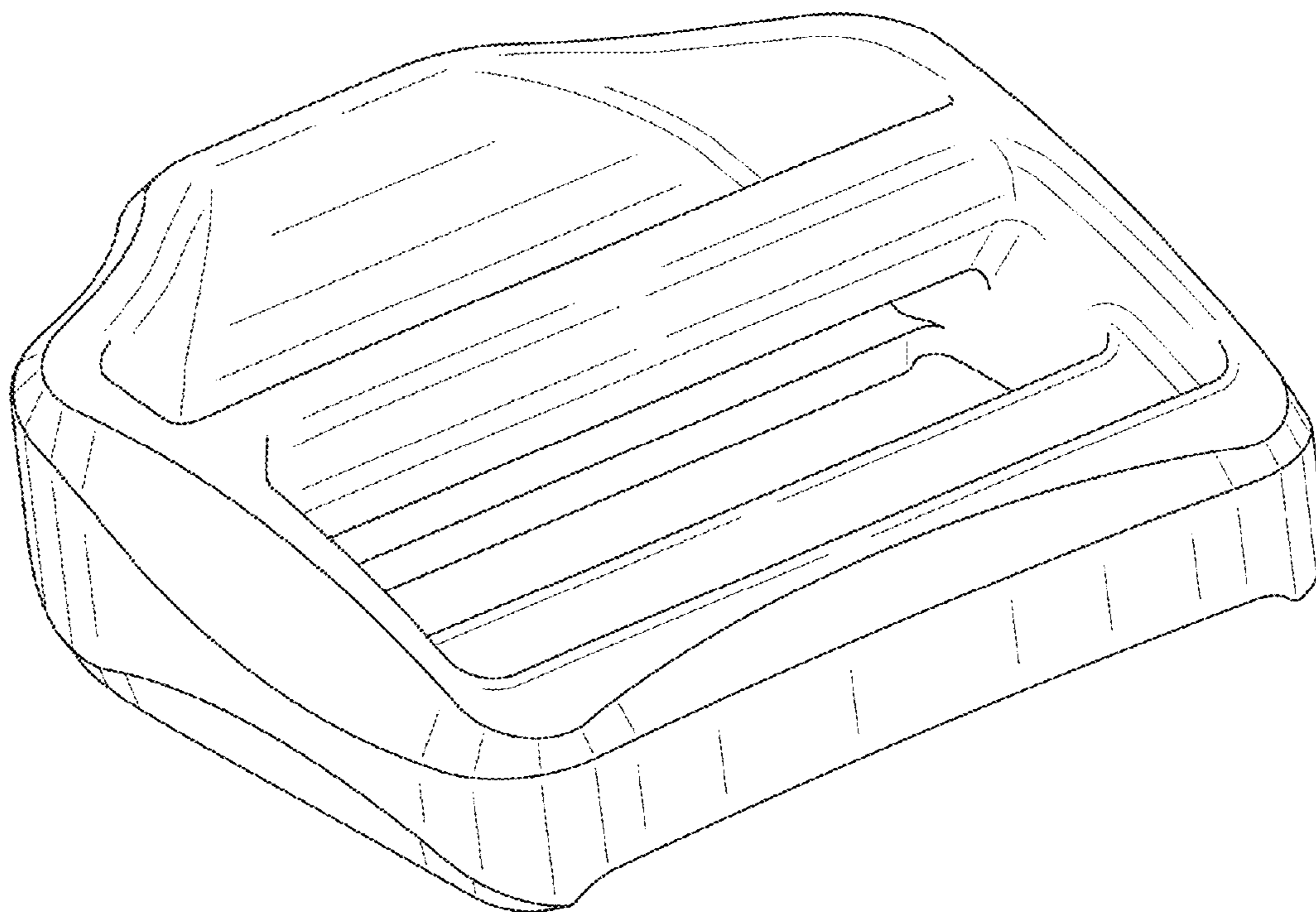


FIG. 3

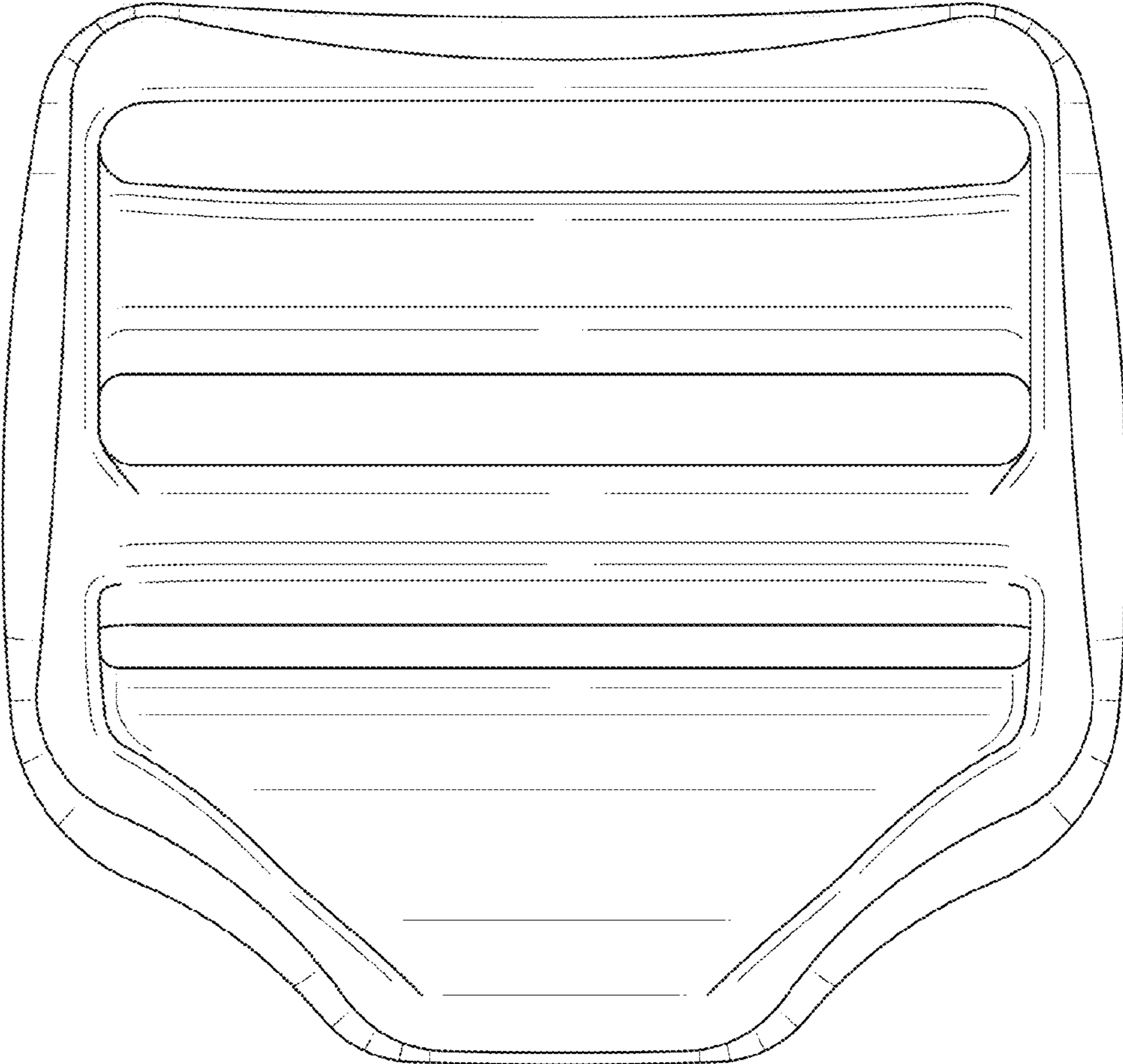


FIG. 4

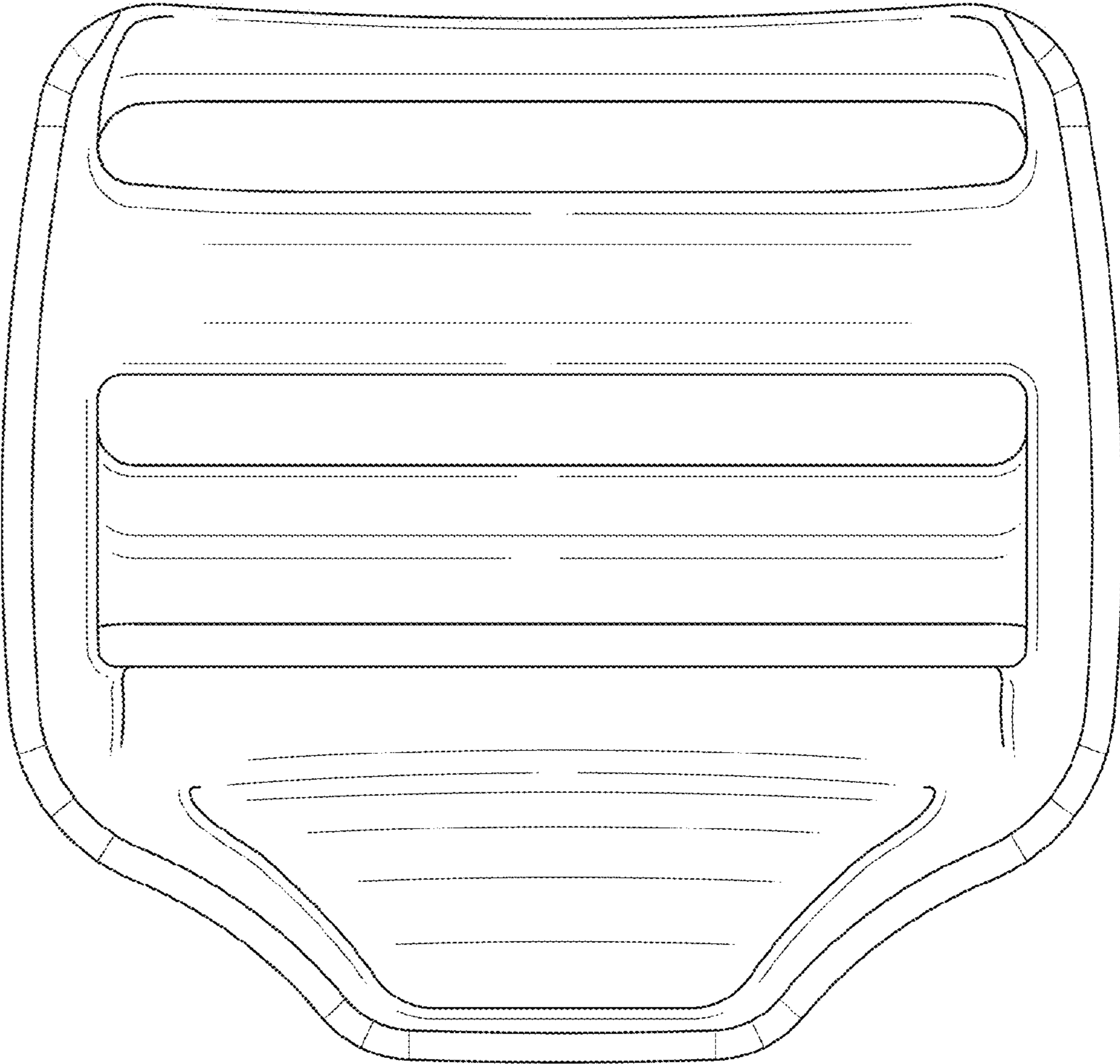


FIG. 5

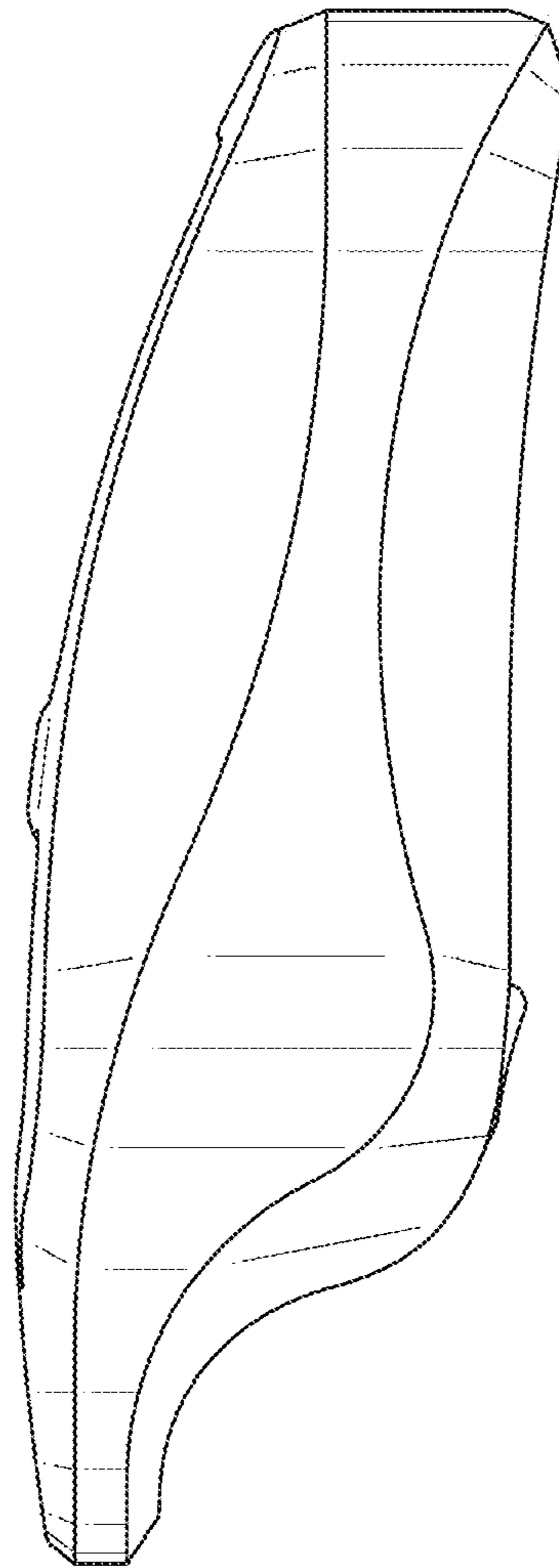


FIG. 6

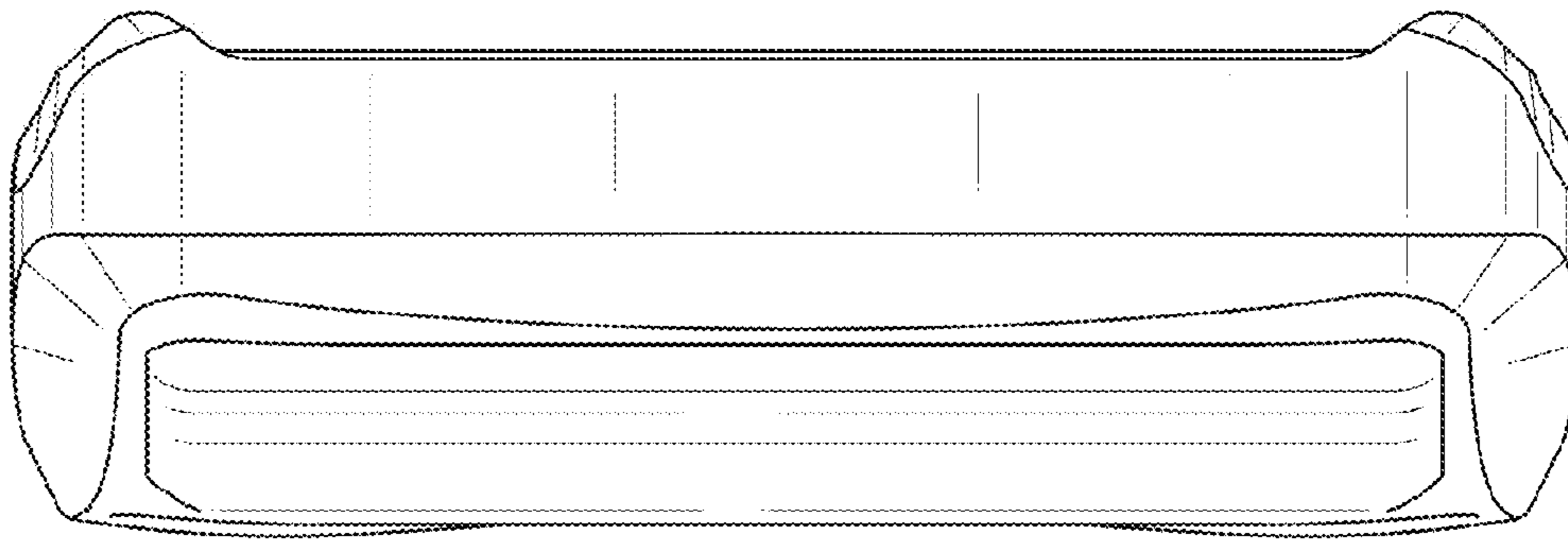


FIG. 7

