



US00D702148S

(12) **United States Design Patent**  
**Williams**

(10) **Patent No.:** **US D702,148 S**

(45) **Date of Patent:** **\*\* Apr. 8, 2014**

(54) **POT FOR A TURKEY CALL**

(71) Applicant: **Keith Williams**, El Dorado, AR (US)

(72) Inventor: **Keith Williams**, El Dorado, AR (US)

(\*\*) Term: **14 Years**

(21) Appl. No.: **29/455,685**

(22) Filed: **May 23, 2013**

(51) **LOC (10) Cl.** ..... **10-05**

(52) **U.S. Cl.**  
USPC ..... **D10/119.1**

(58) **Field of Classification Search**  
USPC ..... D10/119.1, 119.3; 446/397, 418  
See application file for complete search history.

(56) **References Cited**

U.S. PATENT DOCUMENTS

4,586,912	A	5/1986	Adams	
D312,426	S *	11/1990	Batley	D10/119.1
D431,008	S *	9/2000	Drury	D10/119.2
6,443,803	B1	9/2002	Epple, Jr.	
D497,118	S	10/2004	Steffee	
6,902,463	B2	6/2005	Vaicunas	
D554,017	S	10/2007	Hampton	
7,785,169	B2	8/2010	Moss	
D639,196	S *	6/2011	Sullivan et al.	D10/119.1
2005/0070201	A1	3/2005	Rydbom	

2006/0040583 A1 2/2006 Thompson  
2008/0280525 A1\* 11/2008 Carr ..... 446/397  
2012/0045963 A1\* 2/2012 Moss ..... 446/418

\* cited by examiner

Primary Examiner — George D Kirschbaum

(74) Attorney, Agent, or Firm — Nathan Price Chaney

(57) **CLAIM**

The ornamental design of a pot for a turkey call, as shown and described.

**DESCRIPTION**

FIG. 1 is a perspective view of the top of the pot for a turkey call.

FIG. 2 is a perspective view of the bottom side of the pot for a turkey call.

FIG. 3 is a top view of the pot for a turkey call.

FIG. 4 is a bottom view of the pot for a turkey call.

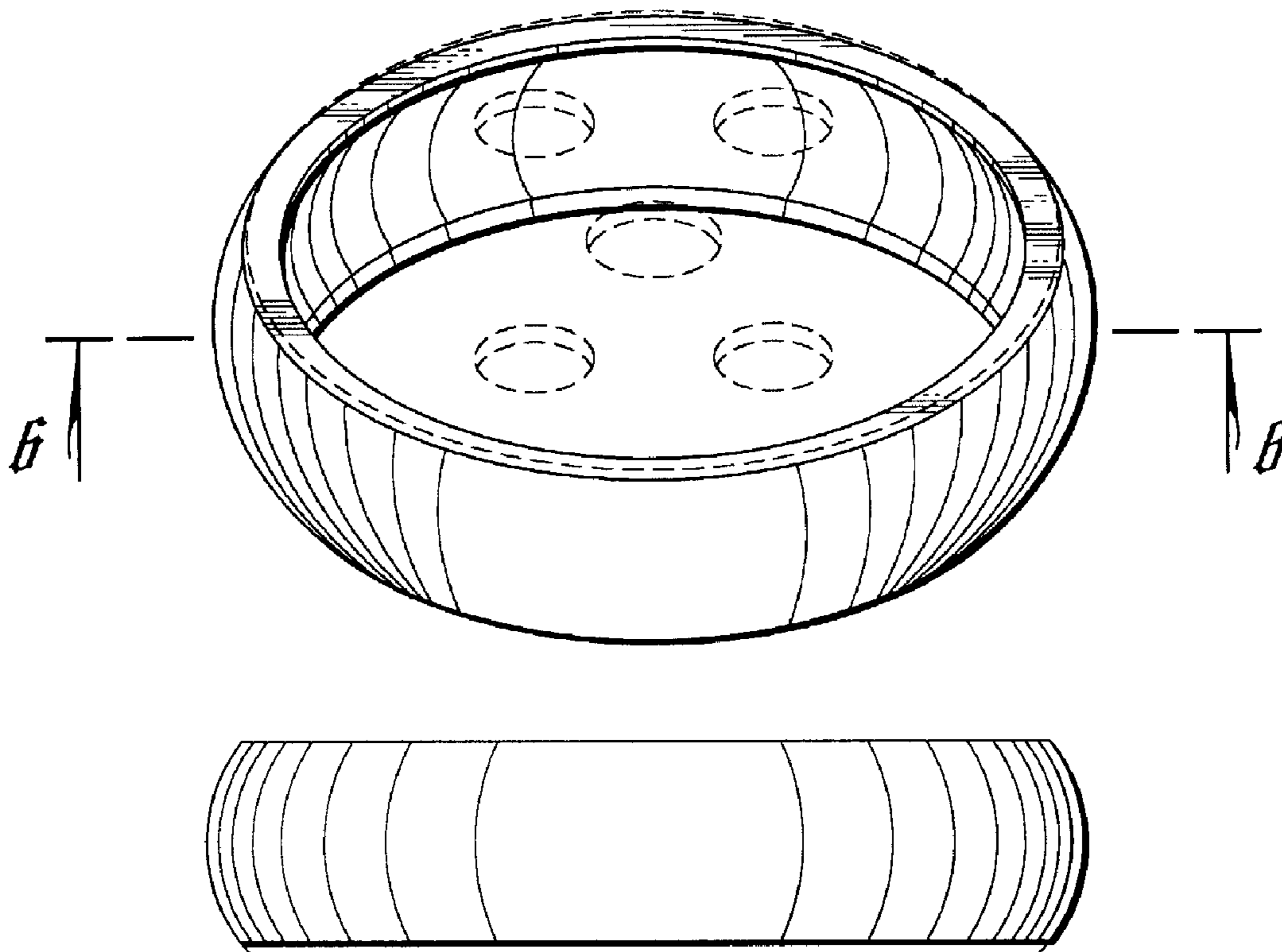
FIG. 5 is a side view of the pot for a turkey call; and,

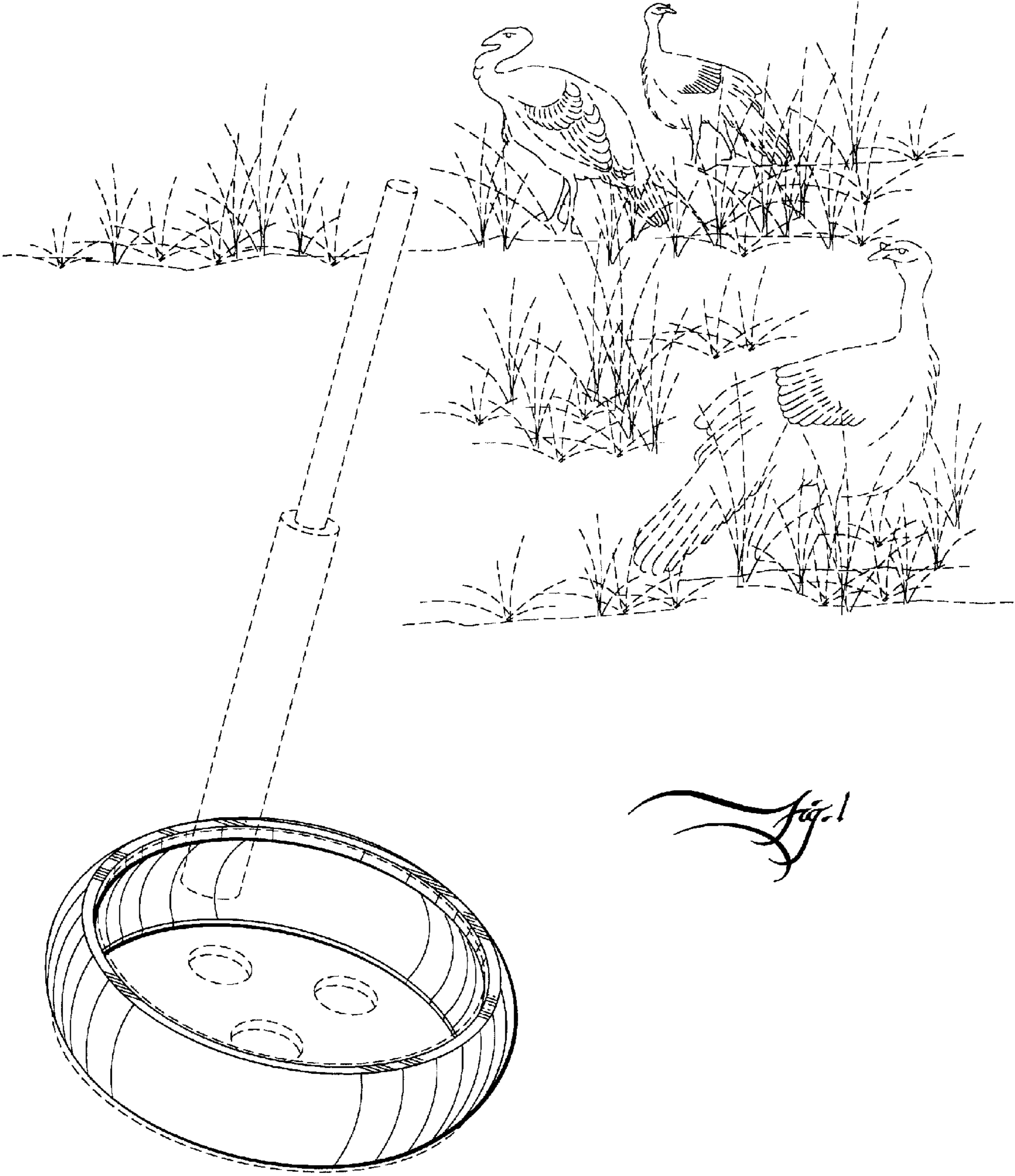
FIG. 6 is a cross-sectional view of the pot for a turkey call along line 6-6 of FIG. 2.

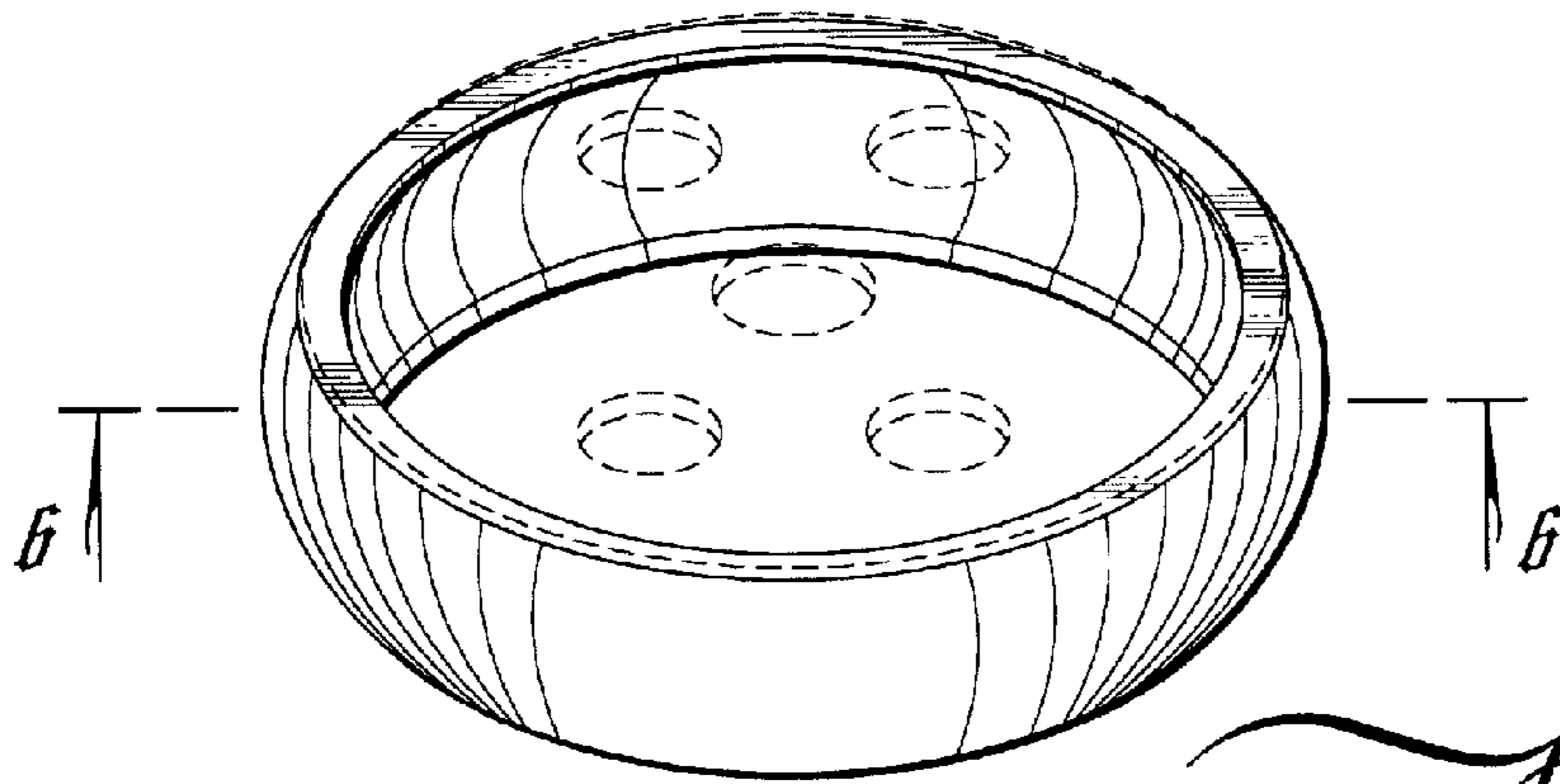
The broken line showing of environment, a striker, and the bottom surface plane of the design is included for the purpose of illustrating portions of the "article" and forms no part of the claimed design.

The article is a pot for a turkey call with a torus-shaped design.

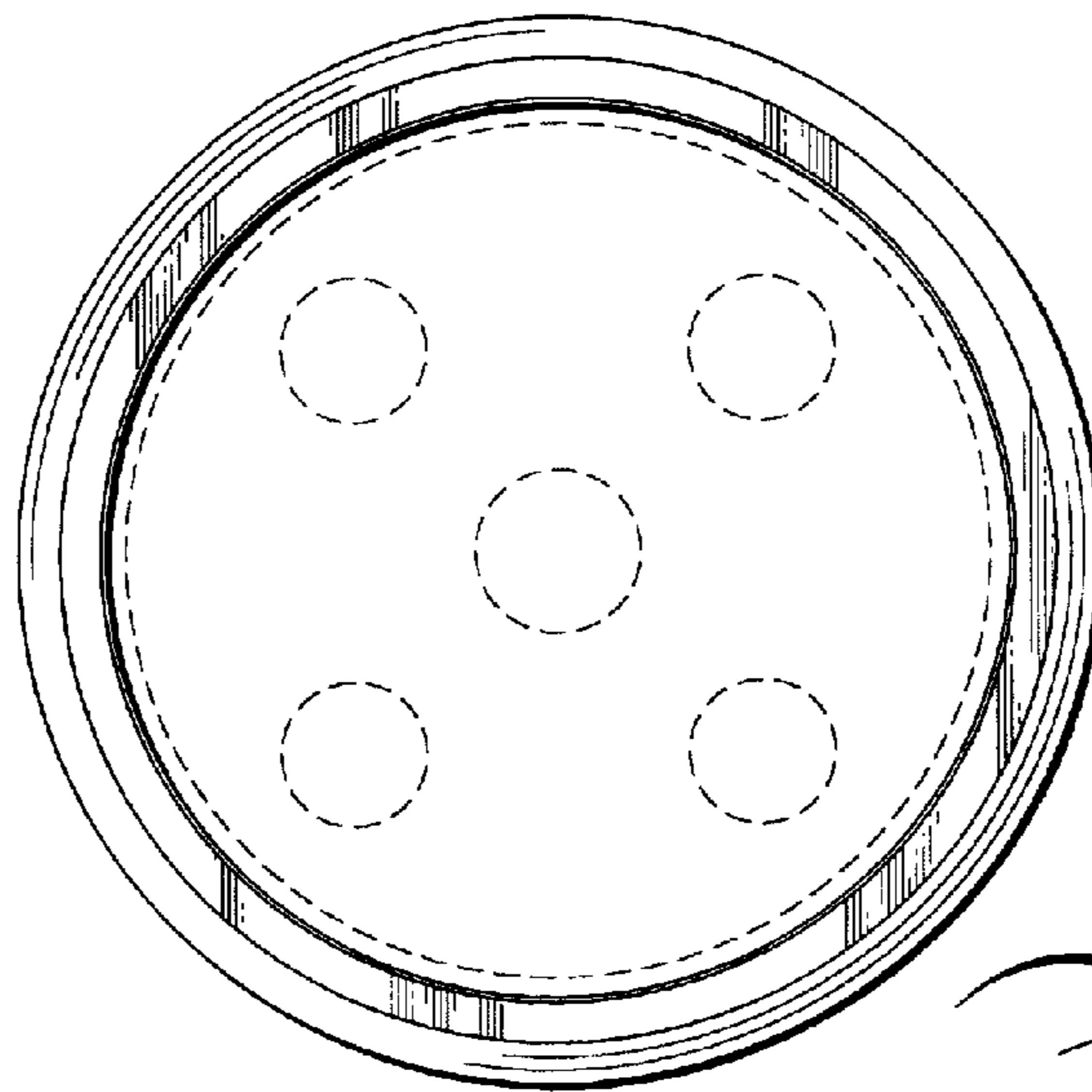
**1 Claim, 3 Drawing Sheets**



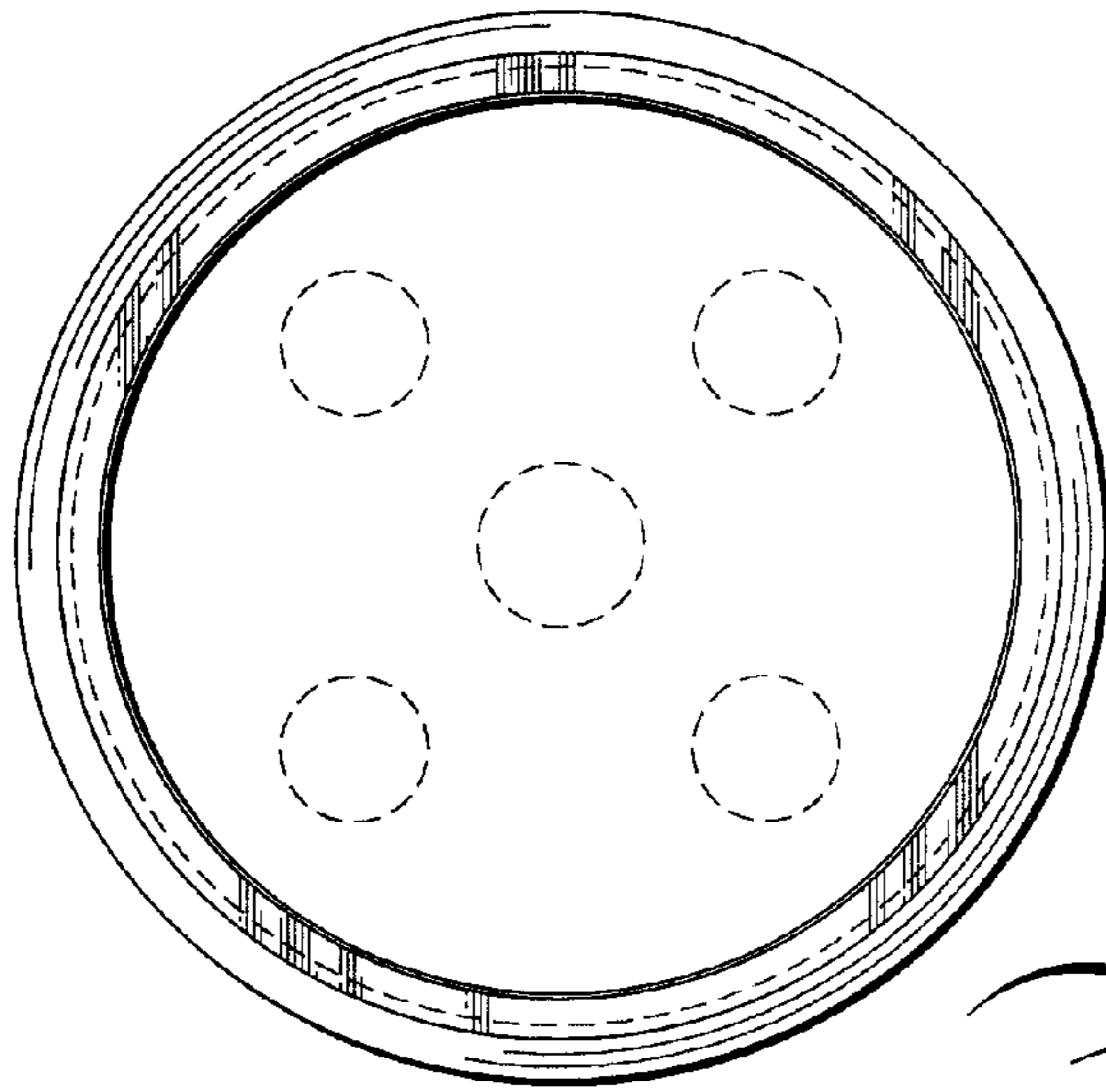




*Fig. 2*



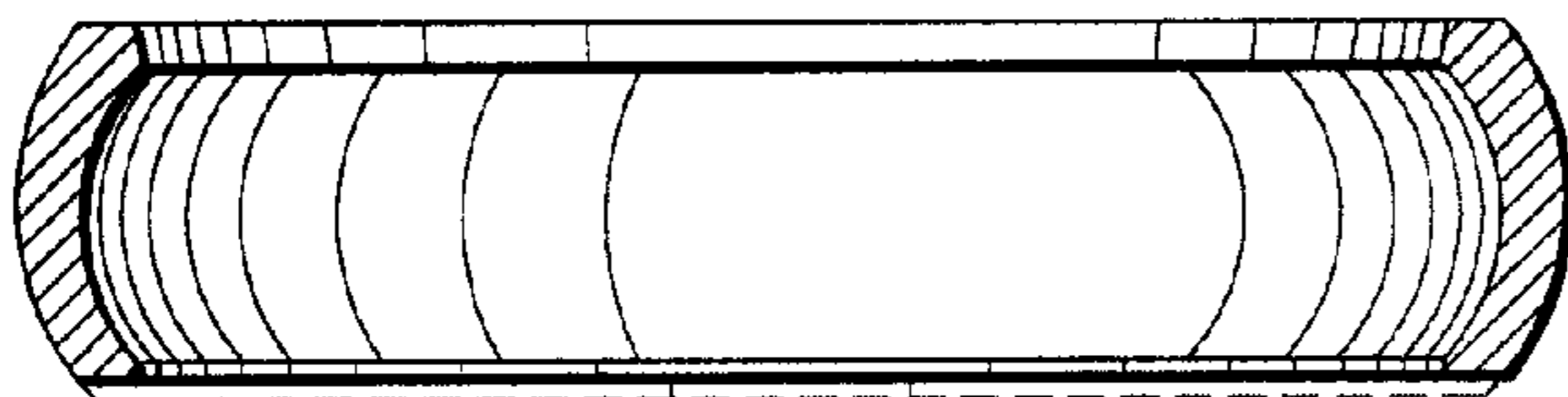
*Fig. 3*



*Fig. 4*



*Fig. 5*



*Fig. 6*