



US00D702146S

(12) **United States Design Patent**
Giovanni

(10) **Patent No.:** **US D702,146 S**
(45) **Date of Patent:** **** Apr. 8, 2014**

(54) **ANTI-THEFT ALARM TAG**

(71) Applicant: **Salvo Giovanni**, Rosemère (CA)

(72) Inventor: **Salvo Giovanni**, Rosemère (CA)

(**) Term: **14 Years**

(21) Appl. No.: **29/459,974**

(22) Filed: **Jul. 5, 2013**

(51) **LOC (10) Cl.** **10-05**

(52) **U.S. Cl.**
USPC **D10/106.9**

(58) **Field of Classification Search**
USPC D10/106.9-10.94, 104.1; 24/704.1;
264/271.1
See application file for complete search history.

(56) **References Cited**

U.S. PATENT DOCUMENTS

- 5,031,287 A * 7/1991 Charlot et al. 24/704.1
- 5,160,687 A * 11/1992 Margaria 264/271.1
- D556,072 S * 11/2007 Fawcett et al. D10/106.93
- D626,441 S * 11/2010 Sayegh et al. D10/106.91

* cited by examiner

Primary Examiner — George D Kirschbaum

(74) *Attorney, Agent, or Firm* — Equinox IP; Franz Bonsang, Patent Agent

(57) **CLAIM**

The ornamental design for an anti-theft alarm tag, as shown and described.

DESCRIPTION

The present application claims priority benefit of prior U.S. design patent application Ser. No. 29/441,426 filed on Jan. 4, 2013, which is incorporated herein by reference.

FIG. 1 is a top perspective view of the anti-theft alarm tag in accordance with a first embodiment of the design;

FIG. 2 is a bottom perspective view of the anti-theft alarm tag of FIG. 1;

FIG. 3 is a top plan view of the anti-theft alarm tag of FIG. 1;

FIG. 4 is a bottom view of the anti-theft alarm tag of FIG. 1;

FIG. 5 is a lateral side view of the anti-theft alarm tag of FIG. 1;

FIG. 6 is a bottom exploded perspective view of the anti-theft alarm tag of FIG. 1 showing a cap, a main body and a base;

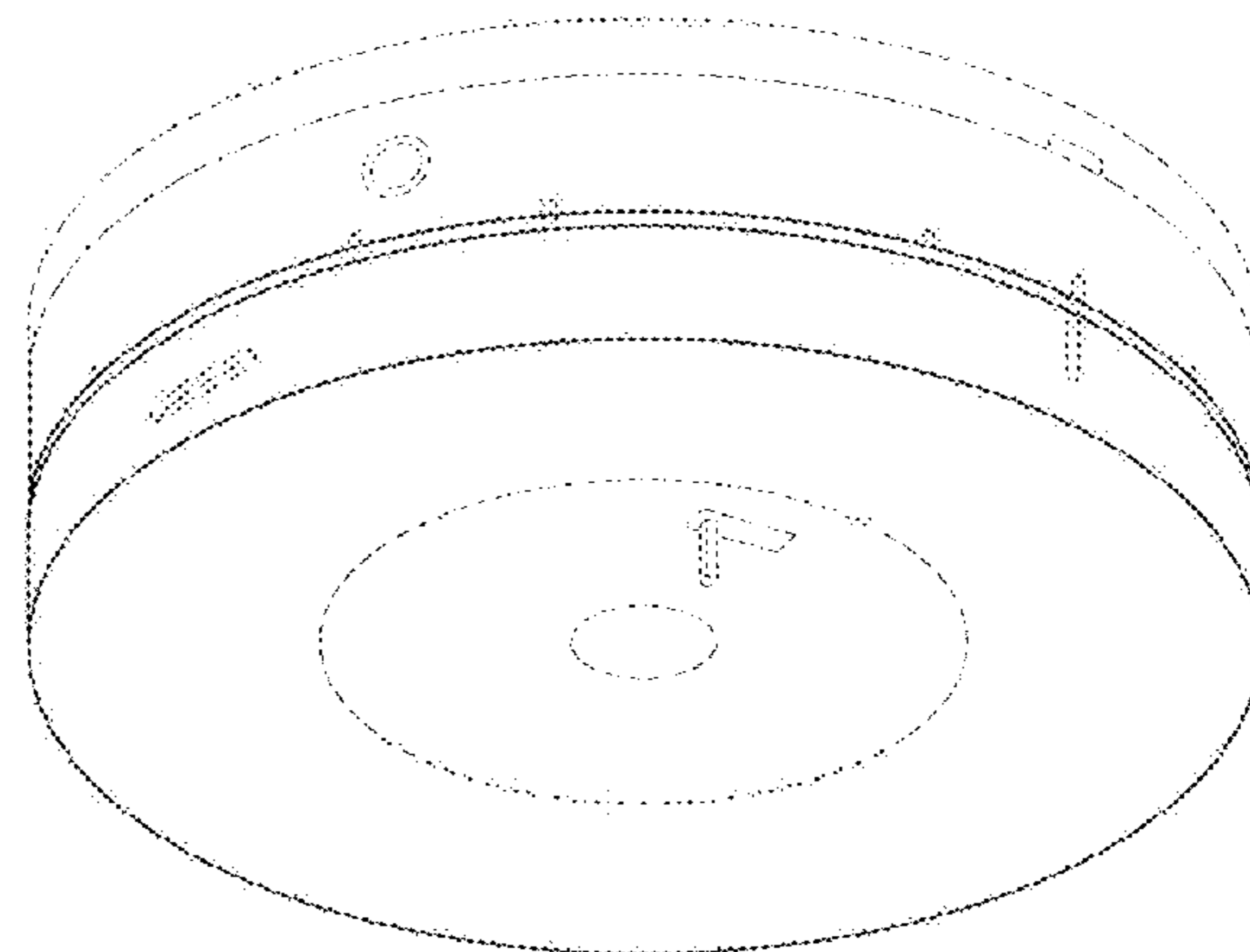
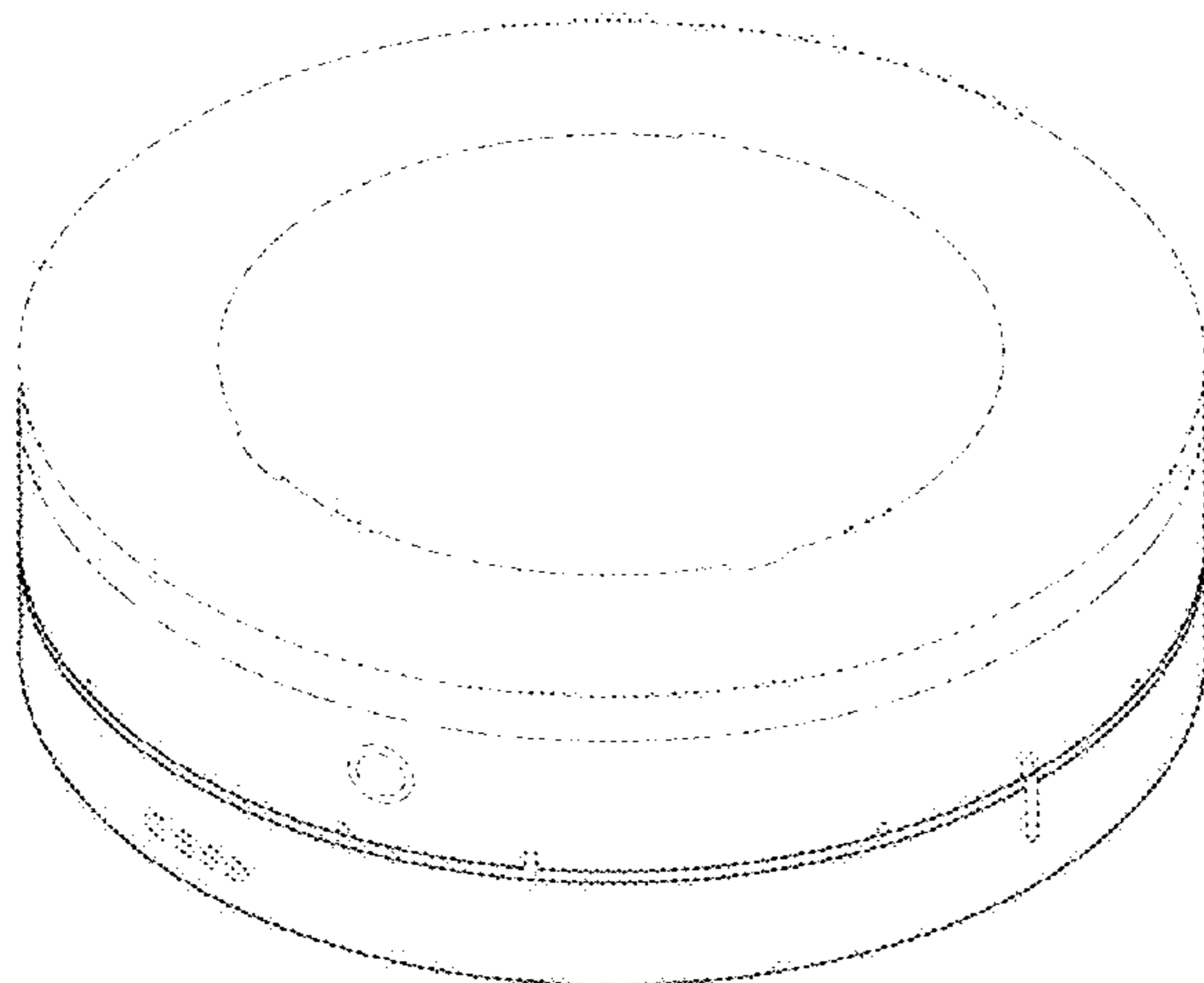
FIG. 7 is a top exploded perspective view of the anti-theft alarm tag of FIG. 1 showing a cap, a main body and a base;

and,

FIG. 8 is a lateral side view of anti-theft alarm tag in accordance with a second embodiment of the design.

The ornamental design which is claimed is shown in solid lines in the drawings. The broken lines showing the cap, and various elements and portions of the main body and the base are included for the purpose of illustrating environmental structure of unclaimed portions of the anti-theft alarm tag and form no part of the design. The dash dotted lines in the drawings represent the border between claimed and unclaimed portions of the anti-theft alarm tag.

1 Claim, 8 Drawing Sheets



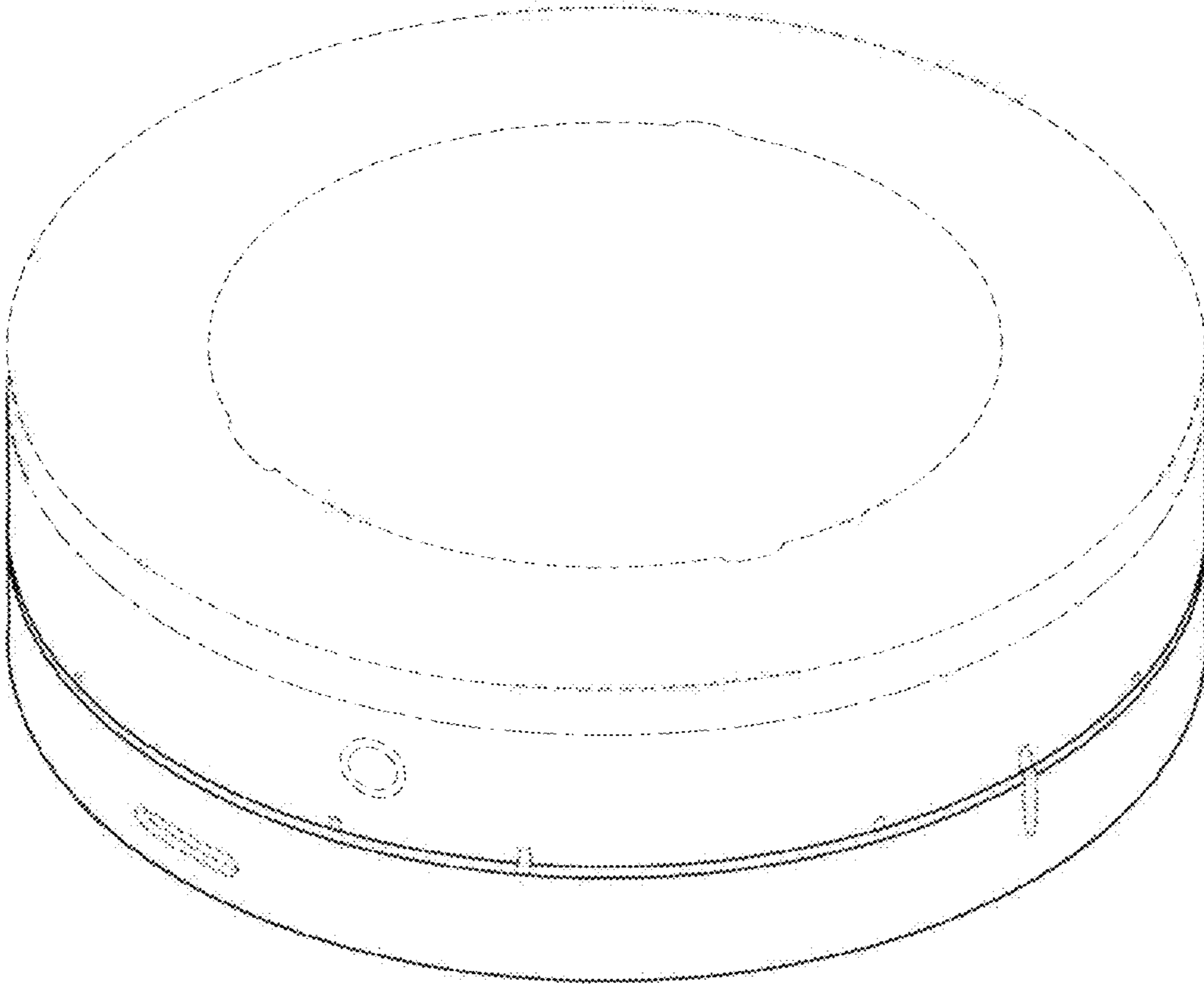


FIG.1

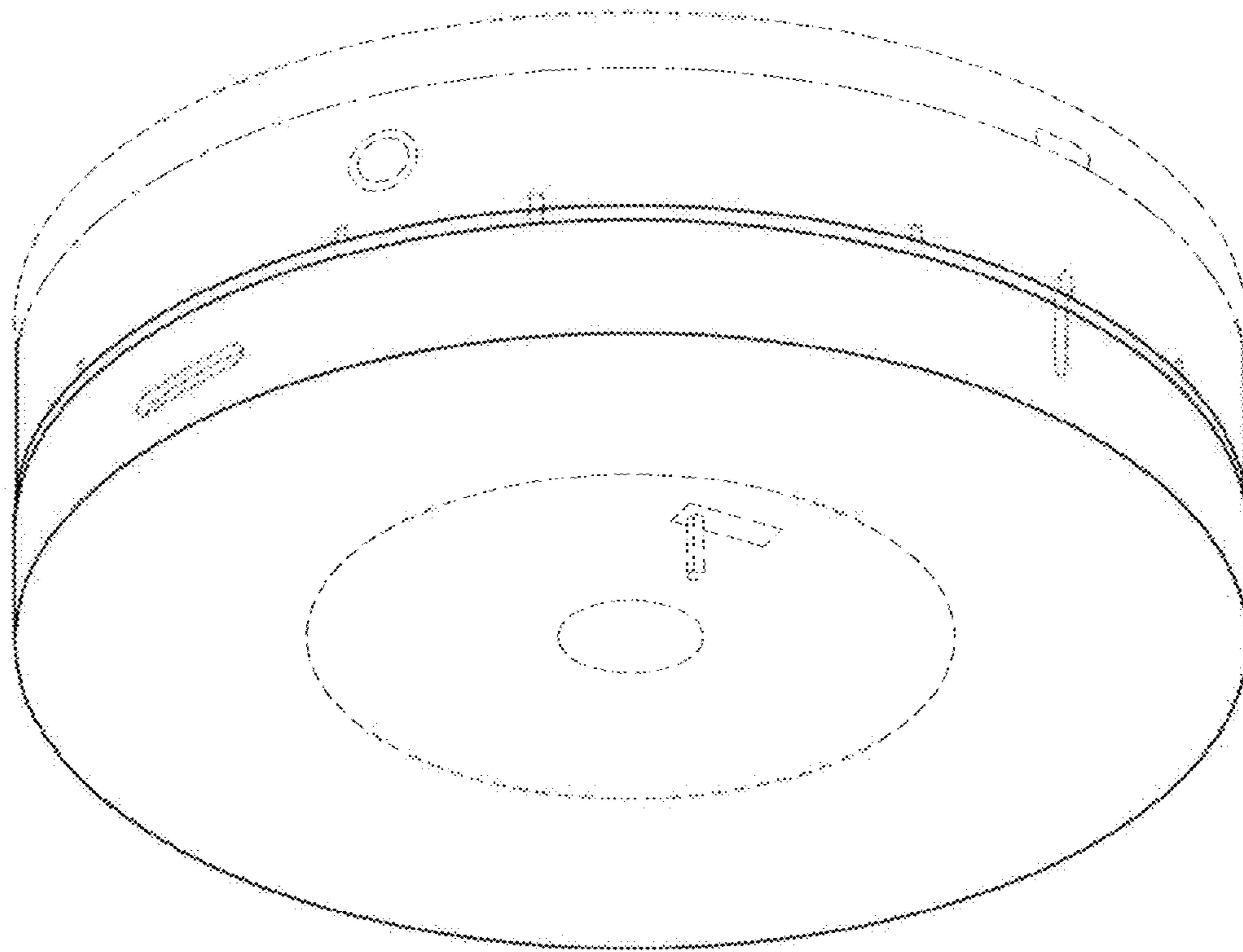


FIG.2

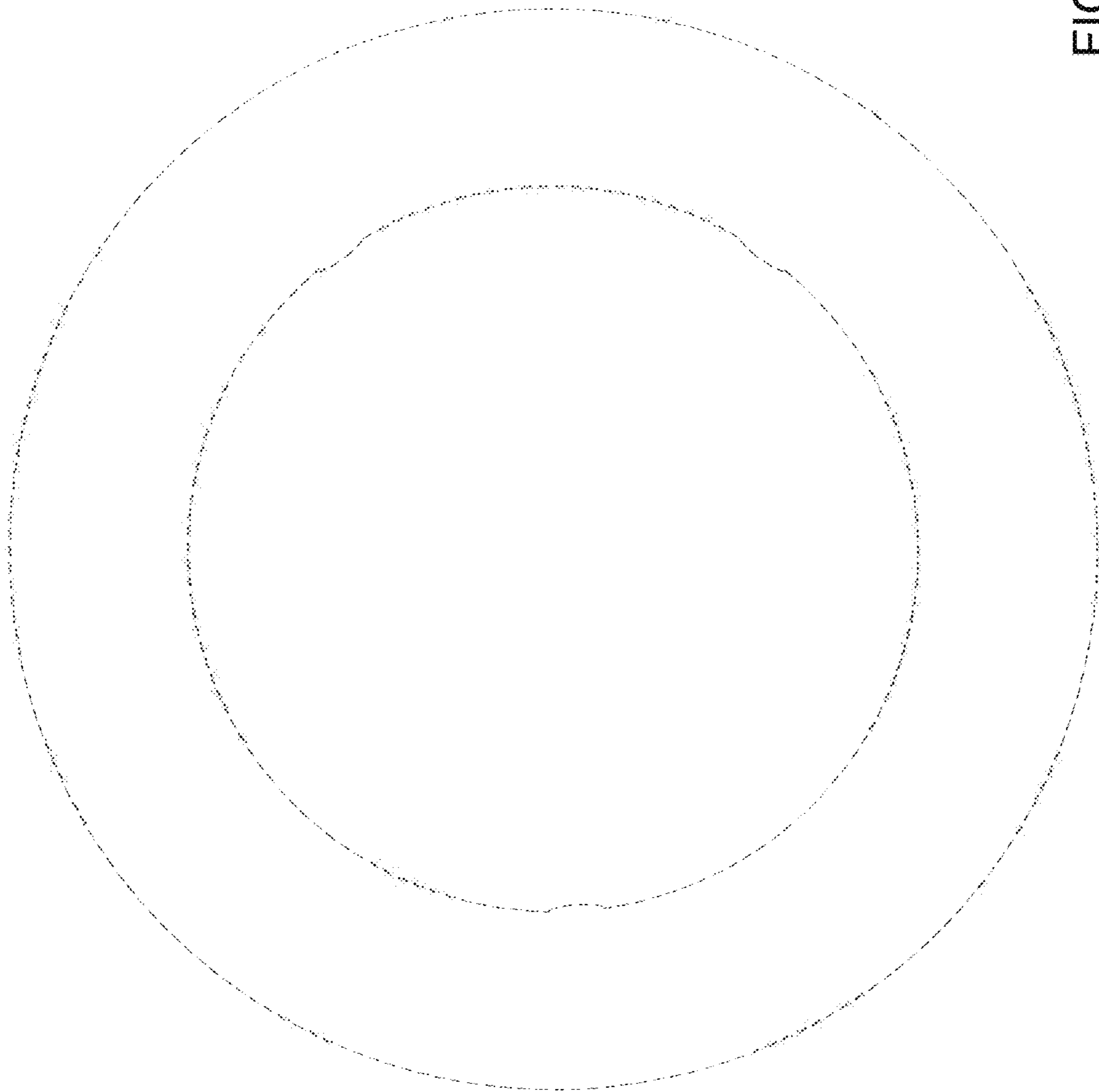


FIG. 3

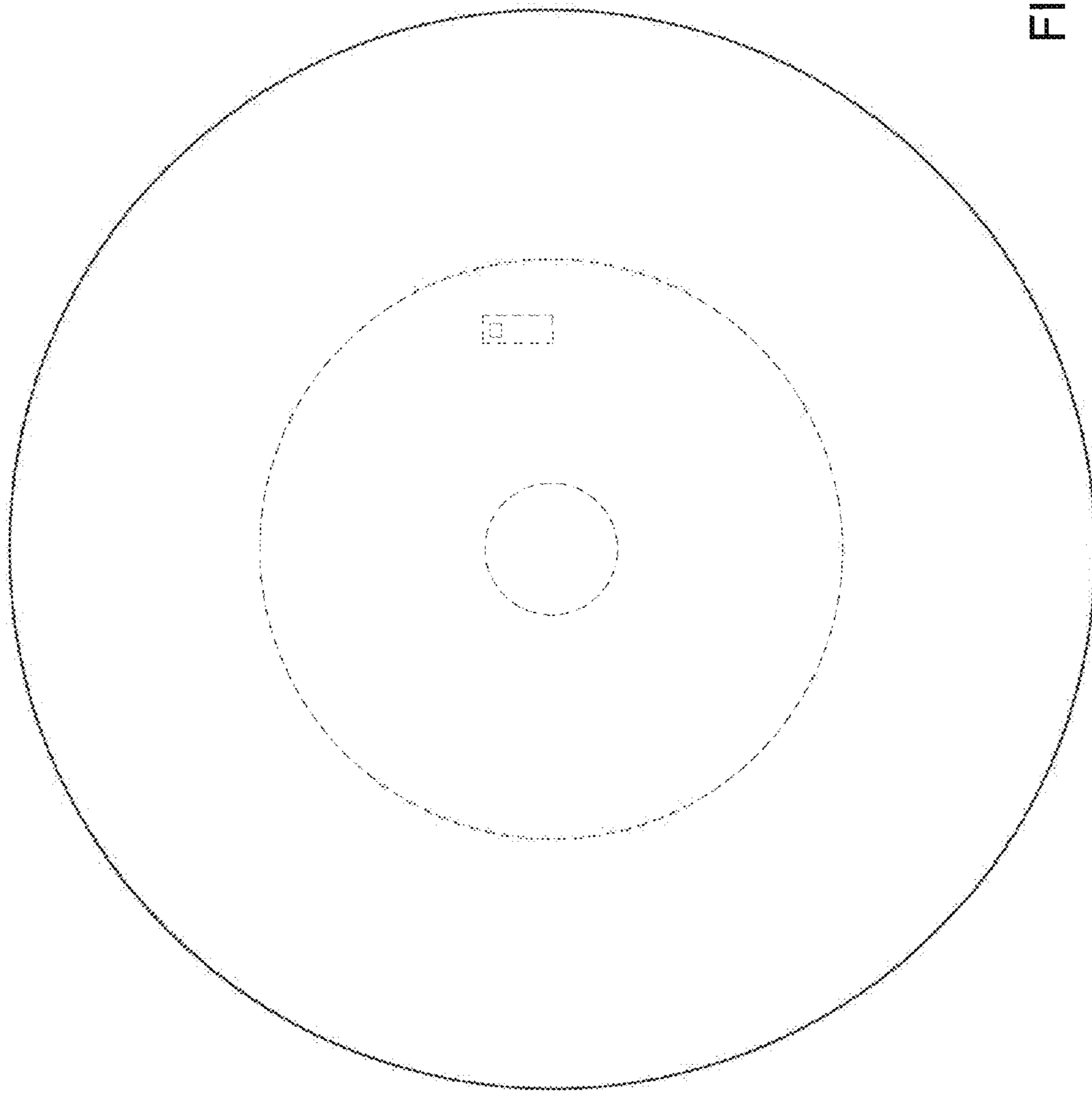


FIG. 4

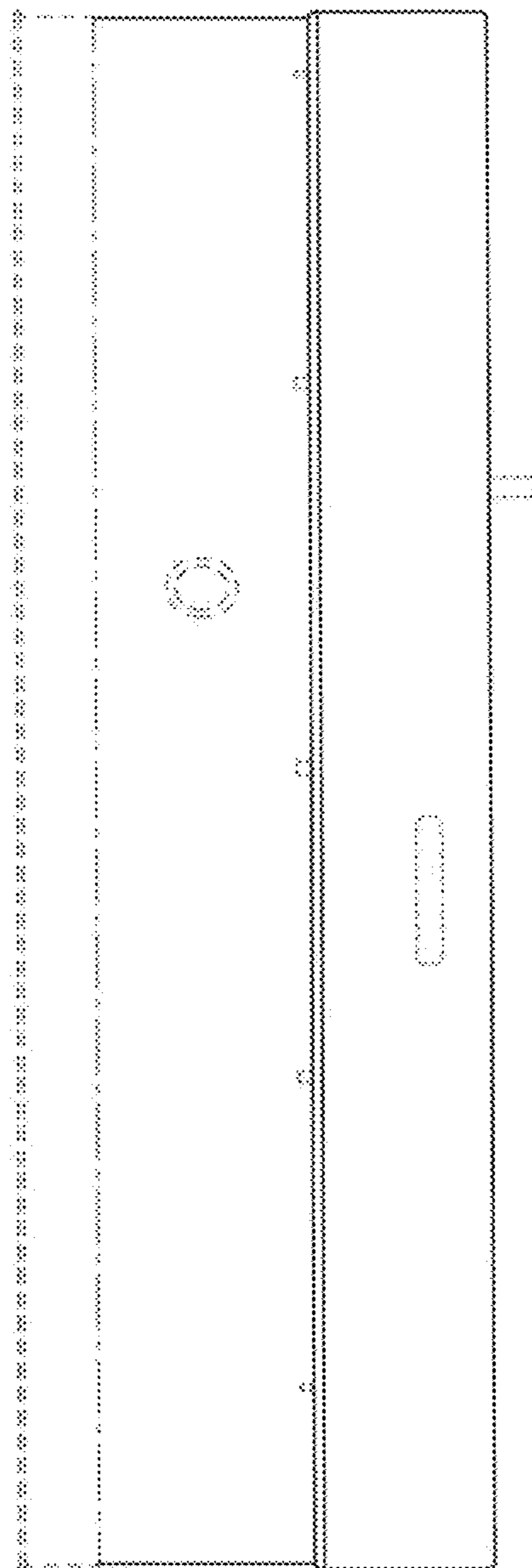


FIG.5

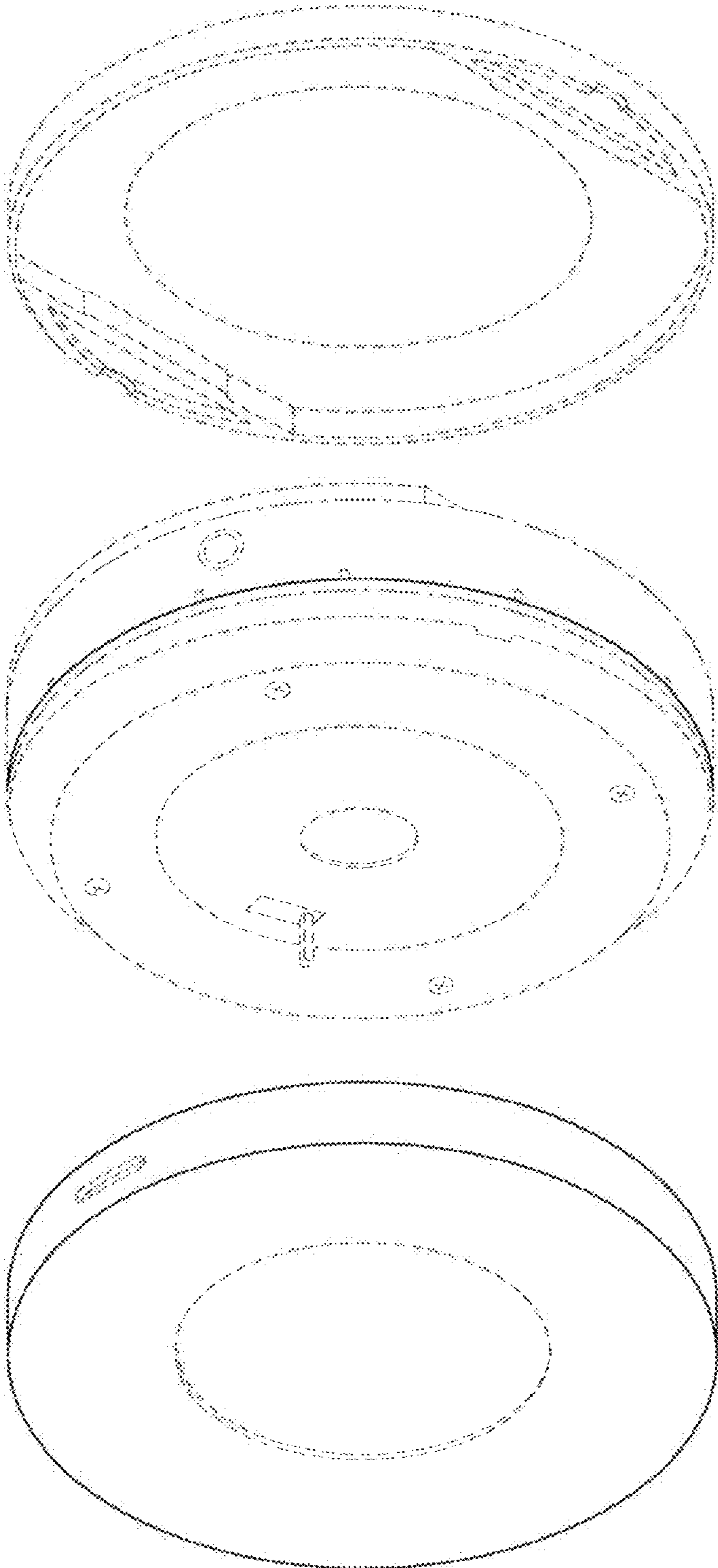


FIG.6

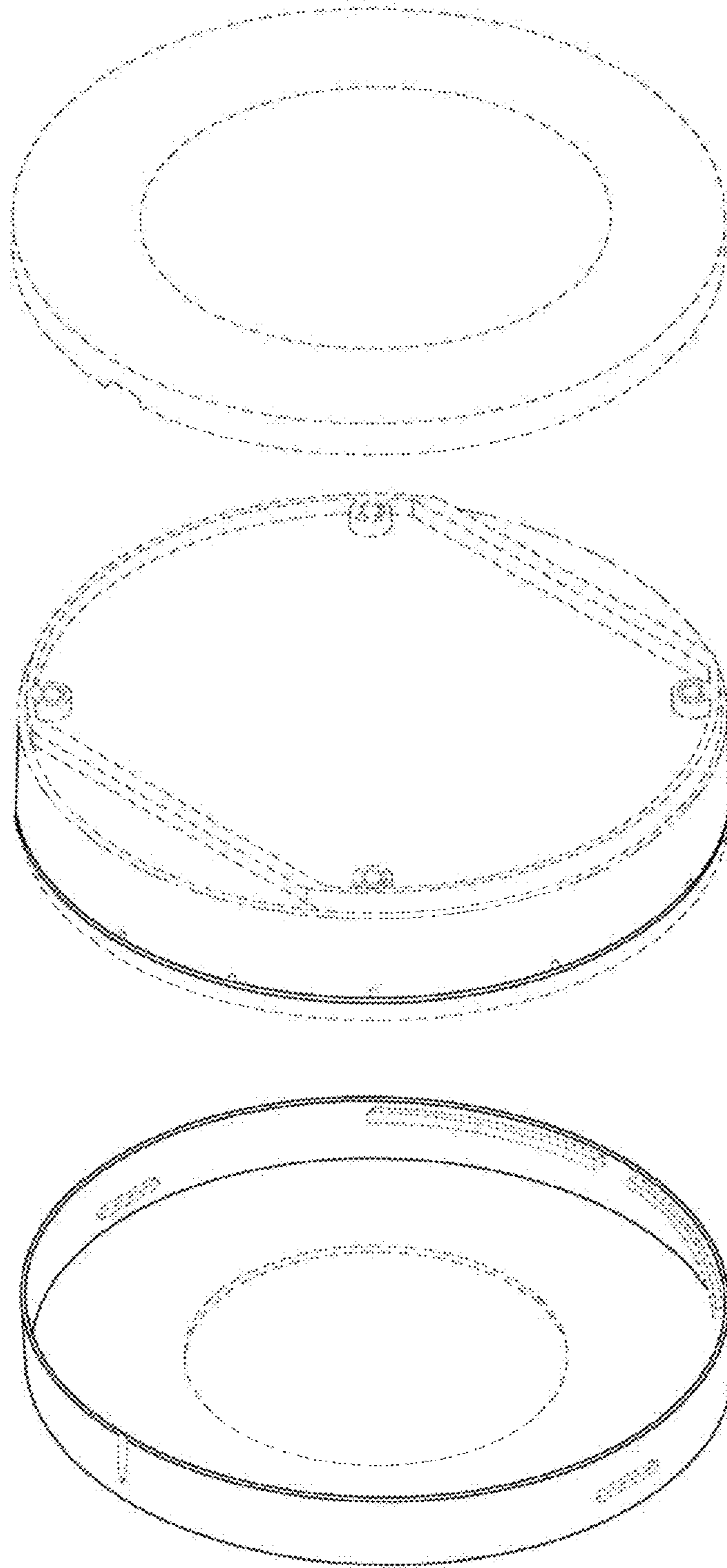


FIG.7

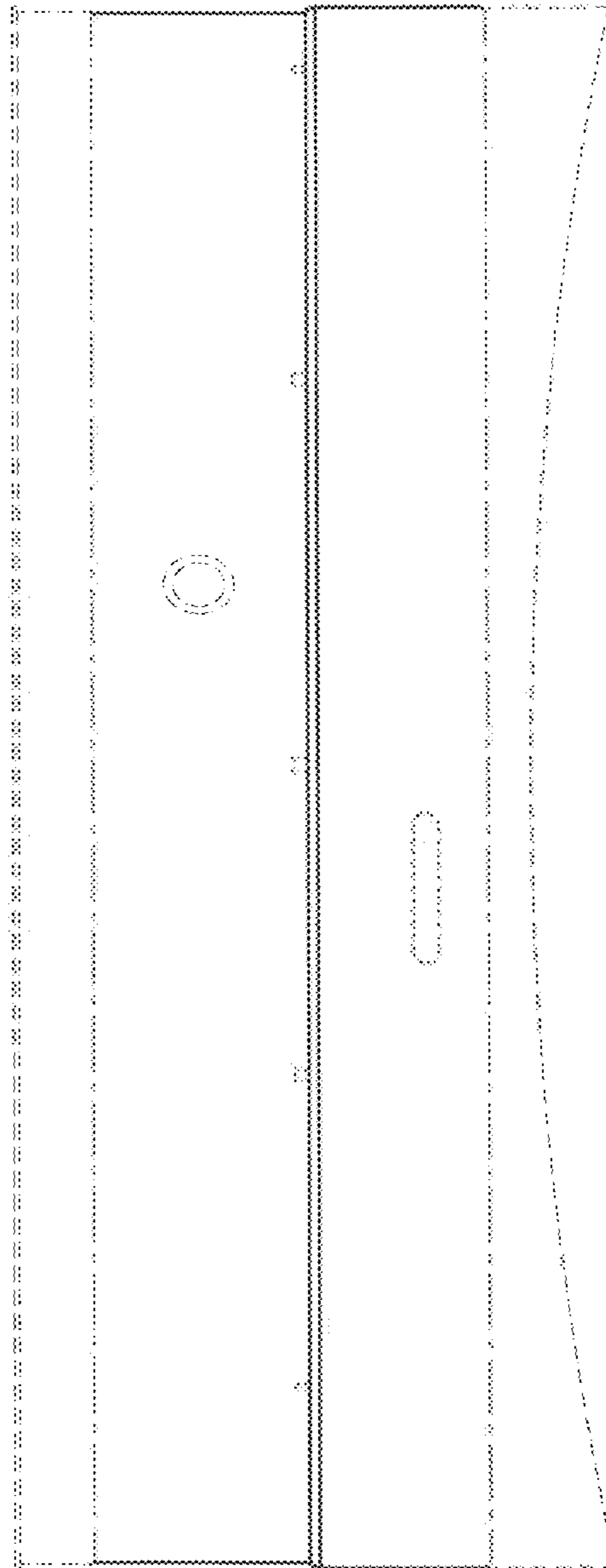


FIG.8