



US00D702145S

(12) **United States Design Patent**  
**Alexander**

(10) **Patent No.:** **US D702,145 S**  
(45) **Date of Patent:** **\*\* Apr. 8, 2014**

(54) **HOUSING FOR UTILITY SENSORS**

(76) Inventor: **Lael Andrew Alexander**, Houston, TX  
(US)

(\*\*) Term: **14 Years**

(21) Appl. No.: **29/430,080**

(22) Filed: **Aug. 21, 2012**

(51) **LOC (10) Cl.** ..... **10-05**

(52) **U.S. Cl.**  
USPC ..... **D10/106.5**

(58) **Field of Classification Search**  
USPC ..... D14/184; D13/184; D10/106, 106.5,  
D10/120, 81, 104, 116, 121; 340/584, 587,  
340/521, 517, 525, 309.16, 693, 310, 1,  
340/691.4, 287-309  
See application file for complete search history.

Messe Frankfurt New Era Business Media Ltd., <[http://www.asmag.com/product\\_detail.aspx?mody=1014&id=4970](http://www.asmag.com/product_detail.aspx?mody=1014&id=4970)>.\*

1/3 Sony CCD 420 TV Lines Dome Smoke Detector CCD Security Camera, no image post date information, visited Nov. 4, 2013, [online], Copyright © 2013 spyonsale.com Ltd., <<http://www.spyonsale.com/13-sony-ccd-420-tv-lines-dome-smoke-detector-ccd-security-camera-p-4915.html>>.\*

\* cited by examiner

*Primary Examiner* — Deanna L Pratt

*Assistant Examiner* — Harold Blackwell, II

(74) *Attorney, Agent, or Firm* — Kirk A. Buhler; Buhler & Associates

(56) **References Cited**

U.S. PATENT DOCUMENTS

D269,331 S *	6/1983	Fenne .....	D10/106.5
D382,825 S *	8/1997	Amlashi .....	D10/106.5
D395,614 S *	6/1998	Denoon-Stevens .....	D10/106.5
D433,953 S *	11/2000	Woznicki et al. ....	D10/106.5
D446,741 S *	8/2001	Johnson et al. ....	D10/106.5
D455,166 S *	4/2002	Raad et al. ....	D16/203
D475,312 S *	6/2003	Runciman .....	D10/106.5
D505,632 S *	5/2005	Johnson et al. ....	D10/106.5
D577,301 S *	9/2008	Johnson et al. ....	D10/81
D628,108 S *	11/2010	Akdag et al. ....	D10/106.5
D631,770 S *	2/2011	Killo et al. ....	D10/106.5
D649,076 S *	11/2011	Alexander .....	D10/106.9
D651,926 S *	1/2012	Akiyama et al. ....	D10/106.5
D664,460 S *	7/2012	Aurongzeb et al. ....	D10/106.6
D665,290 S *	8/2012	Bhate et al. ....	D10/106.6
D678,793 S *	3/2013	Aurongzeb .....	D10/106.6
D682,131 S *	5/2013	Bhate et al. ....	D10/106.6
D687,328 S *	8/2013	Clymer et al. ....	D10/70

OTHER PUBLICATIONS

System Sensor 1400 2-Wire Ionization Smoke Detector, no image post date information,ite visited Nov. 4, 2013], [online], © 2013.

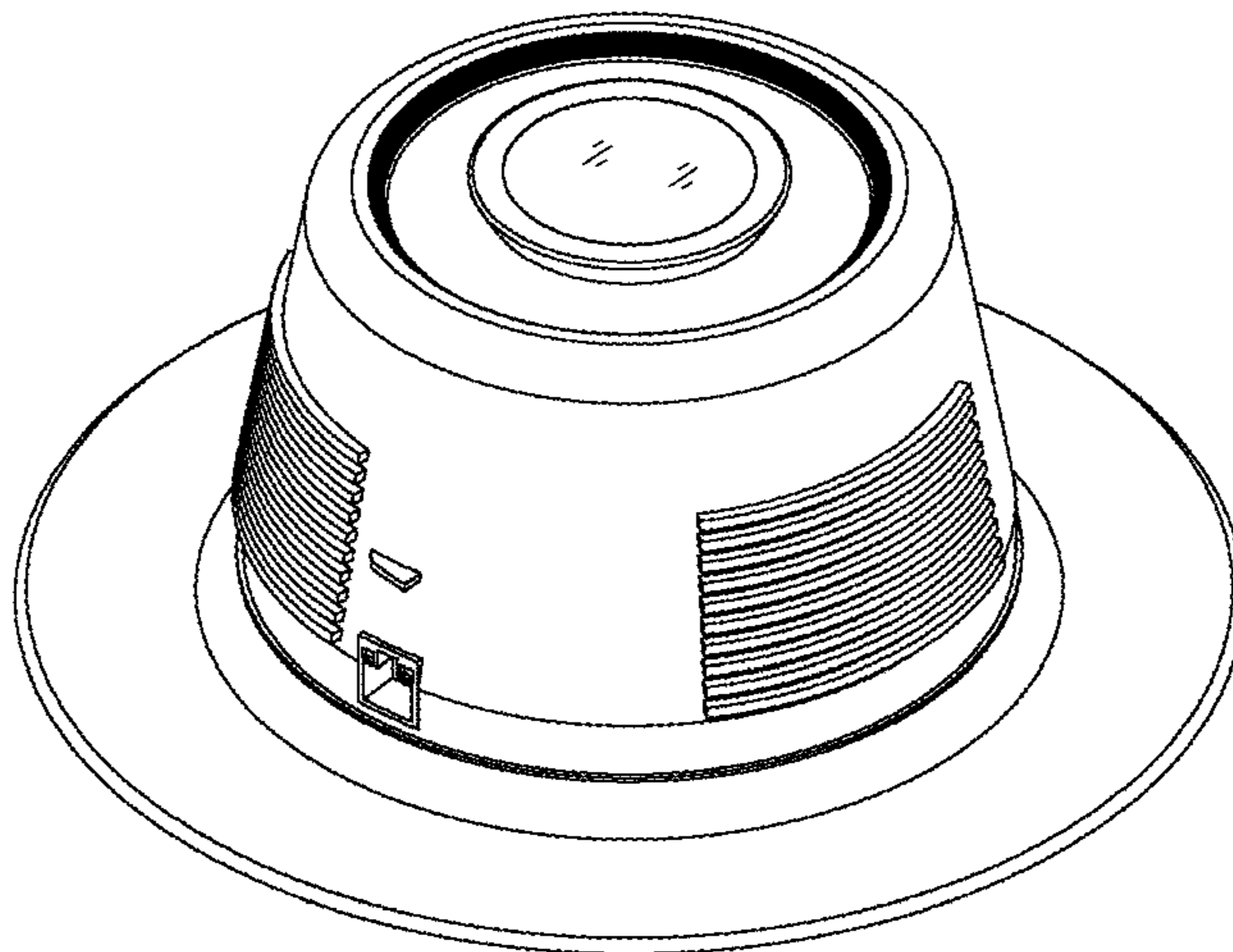
(57) **CLAIM**

The ornamental design for a housing for utility sensors, as shown and described.

**DESCRIPTION**

FIG. 1 is a top, rear perspective view for a housing for utility sensors showing my new design;  
FIG. 2 is a left side sectional view cut through section 2-2 of front view 5.  
FIG. 3 is a right side view thereof;  
FIG. 4 is a left side view thereof;  
FIG. 5 is a front view thereof;  
FIG. 6 is a rear view thereof;  
FIG. 7 is a top view thereof;  
FIG. 8 is a bottom view thereof; and,  
FIG. 9 is a top front perspective view thereof shown in an environment of use.  
The broken line showing of a utility transformer and a utility power pole are included for the purpose of illustrating the environment of the claimed design and form no part thereof. The interior of the housing for utility sensors shown with broken oblique lines in FIG. 2 forms no part of the claimed design.

**1 Claim, 6 Drawing Sheets**



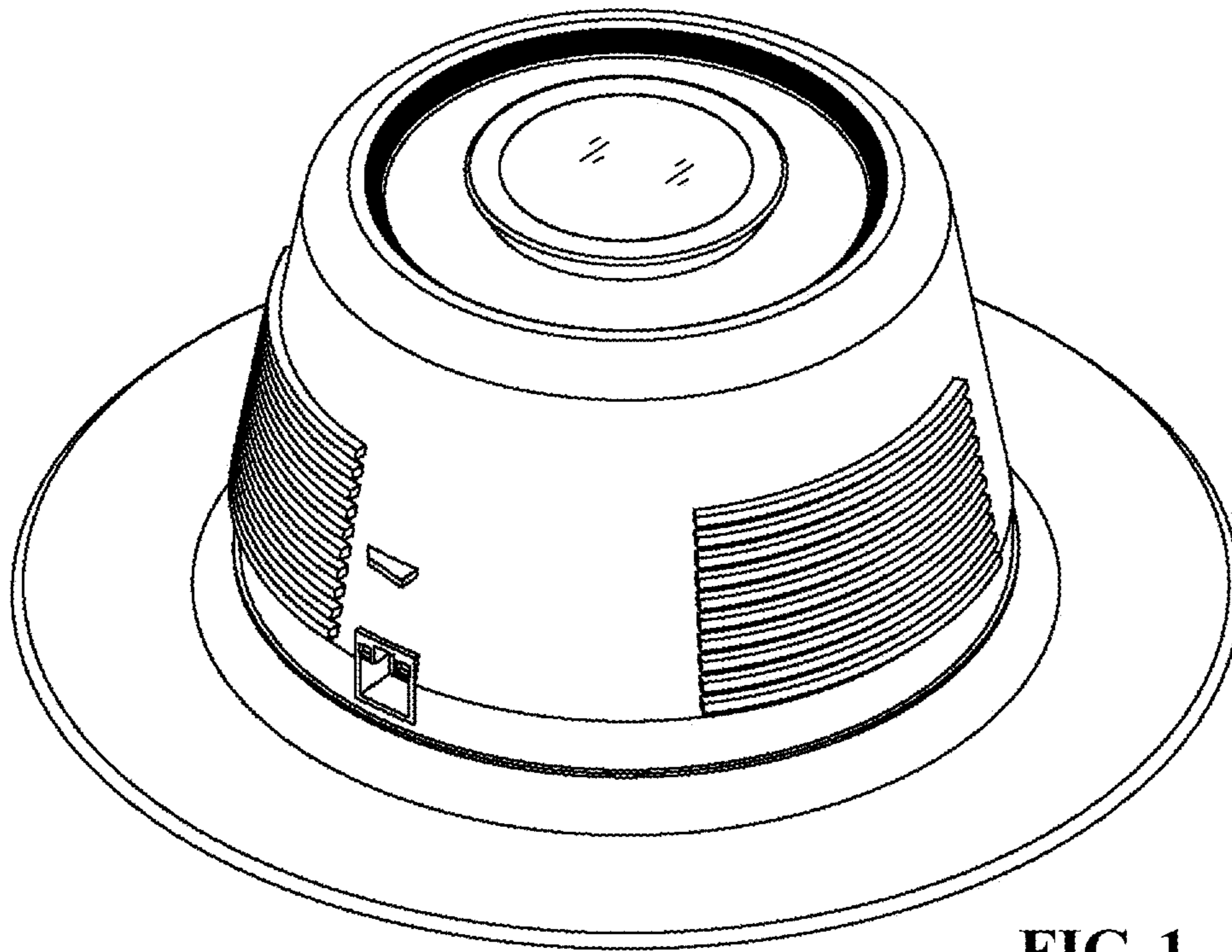


FIG. 1

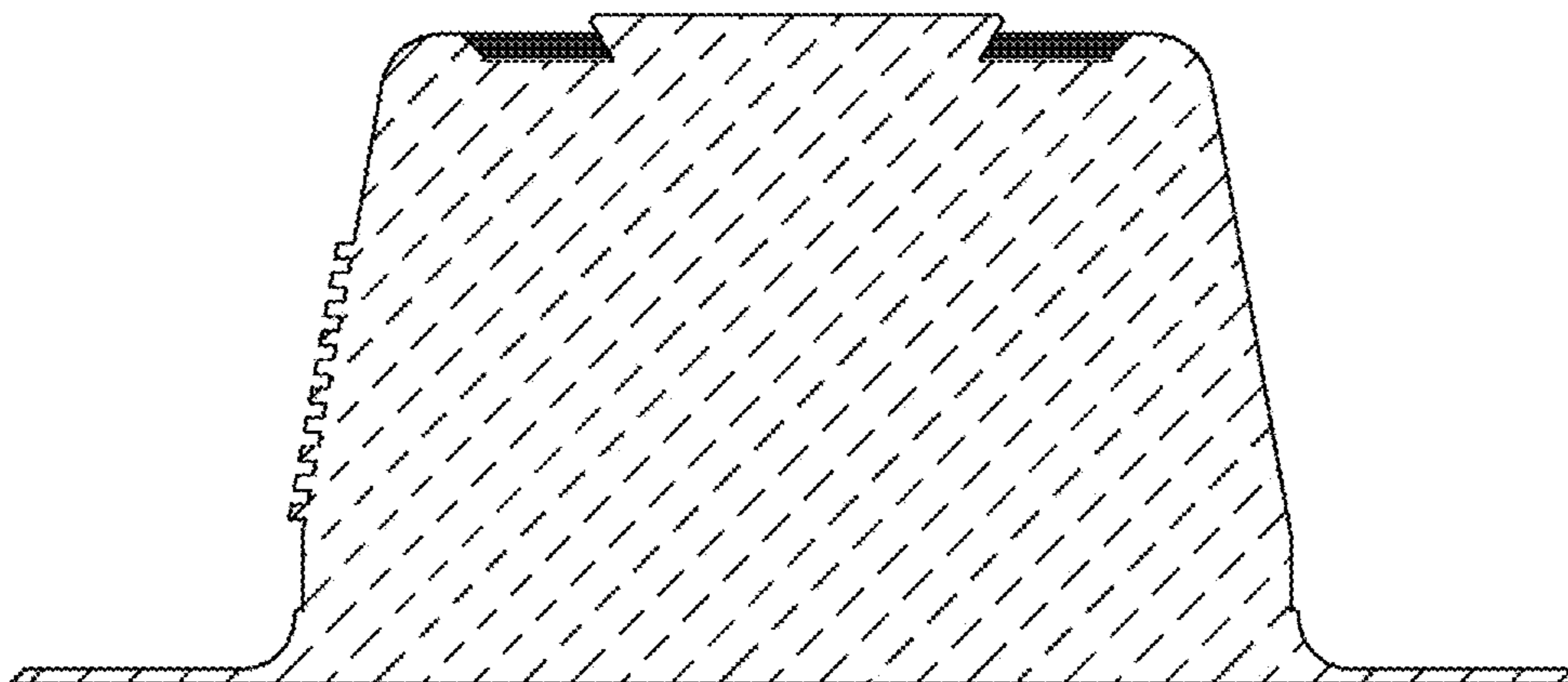


FIG. 2

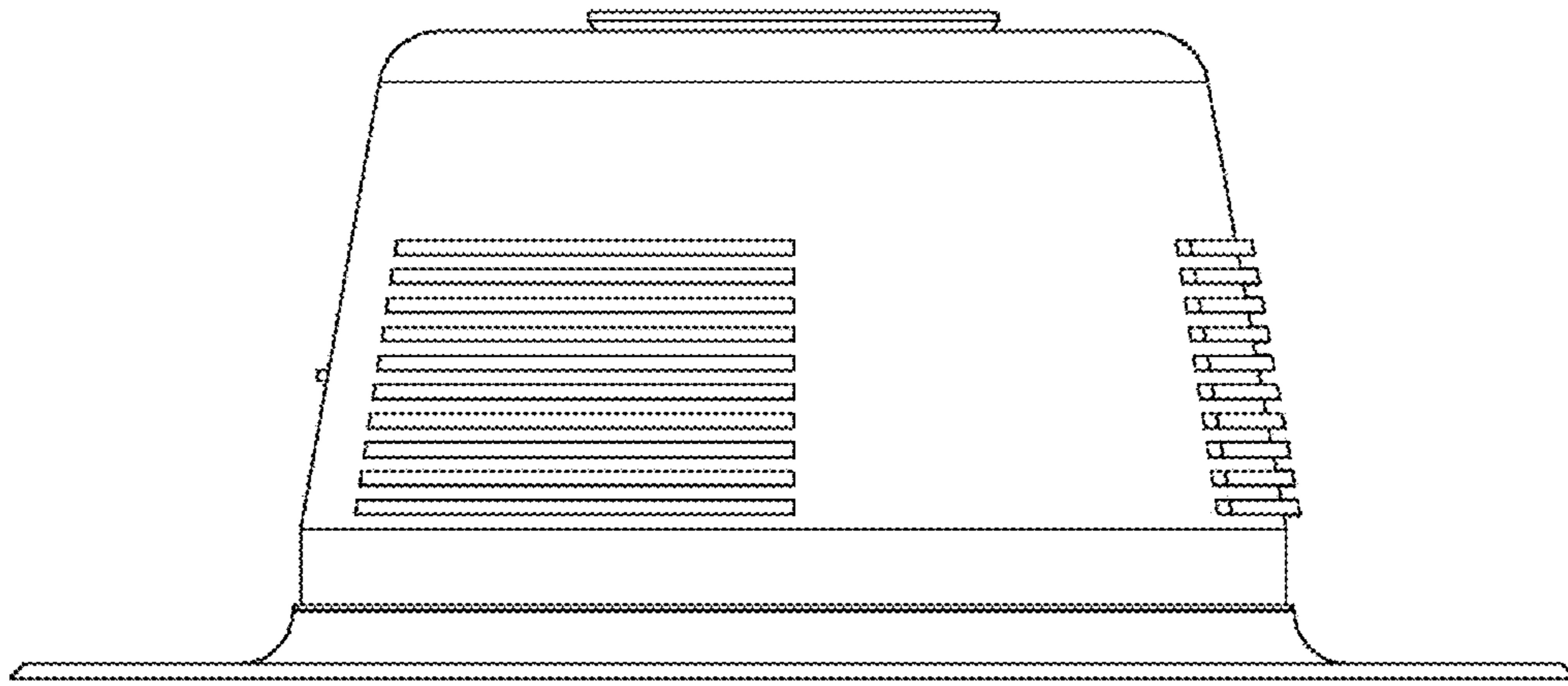


FIG. 3

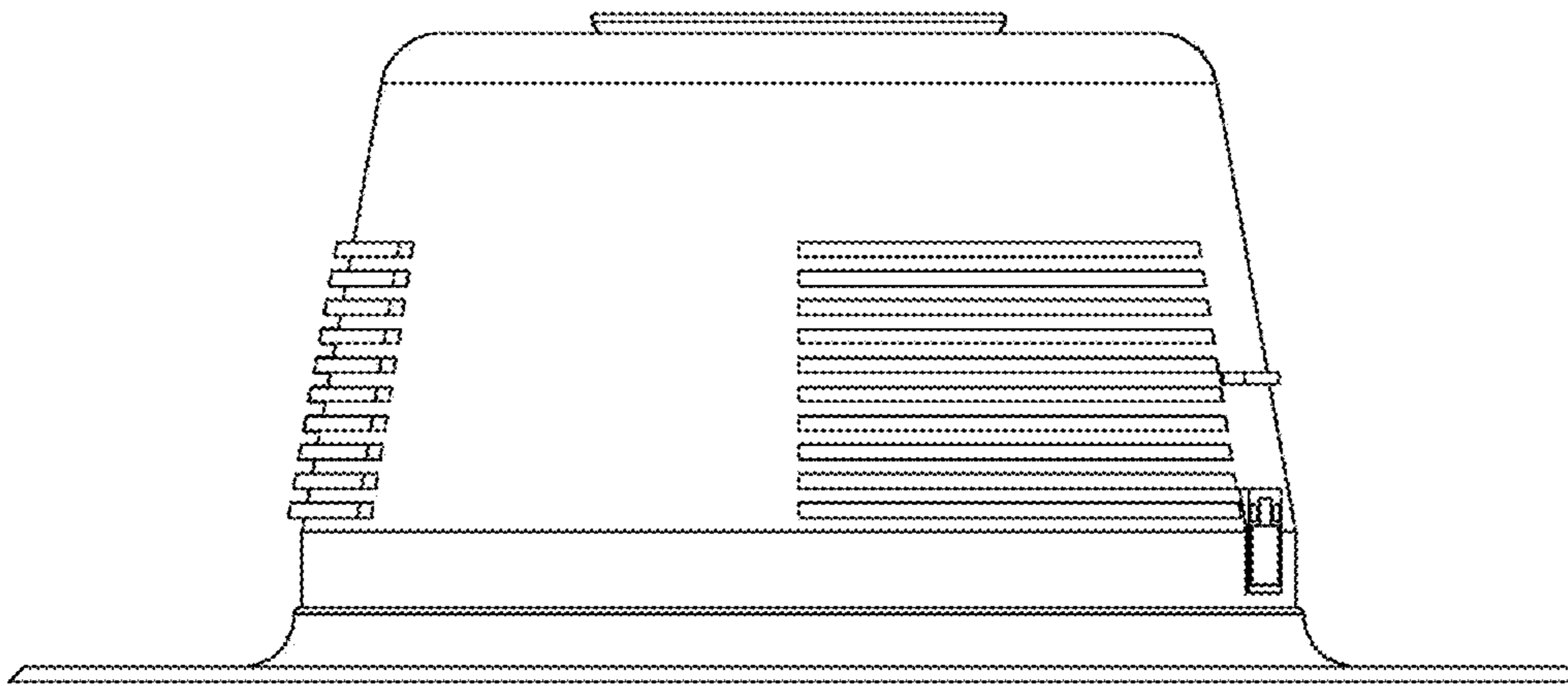
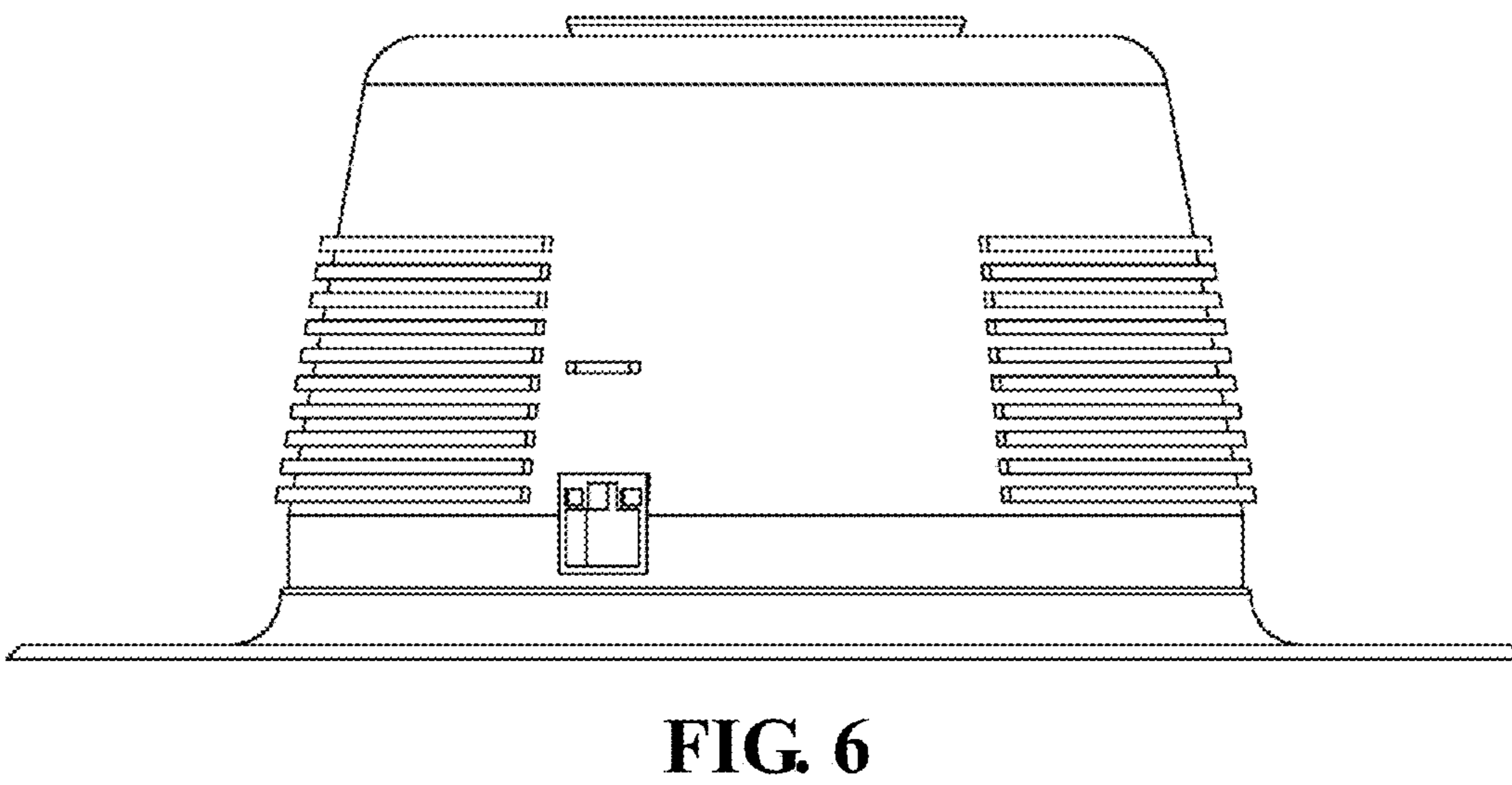
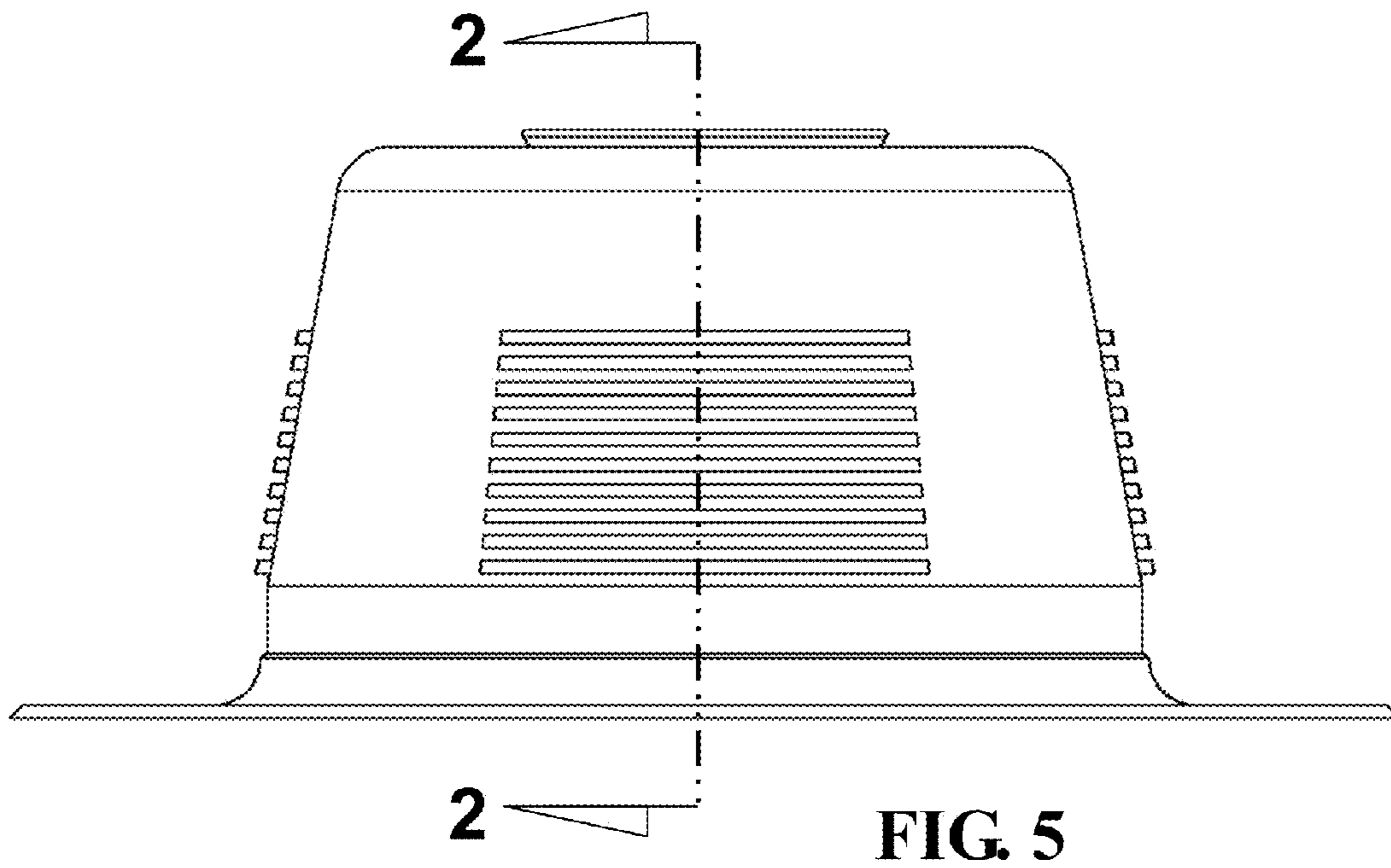


FIG. 4



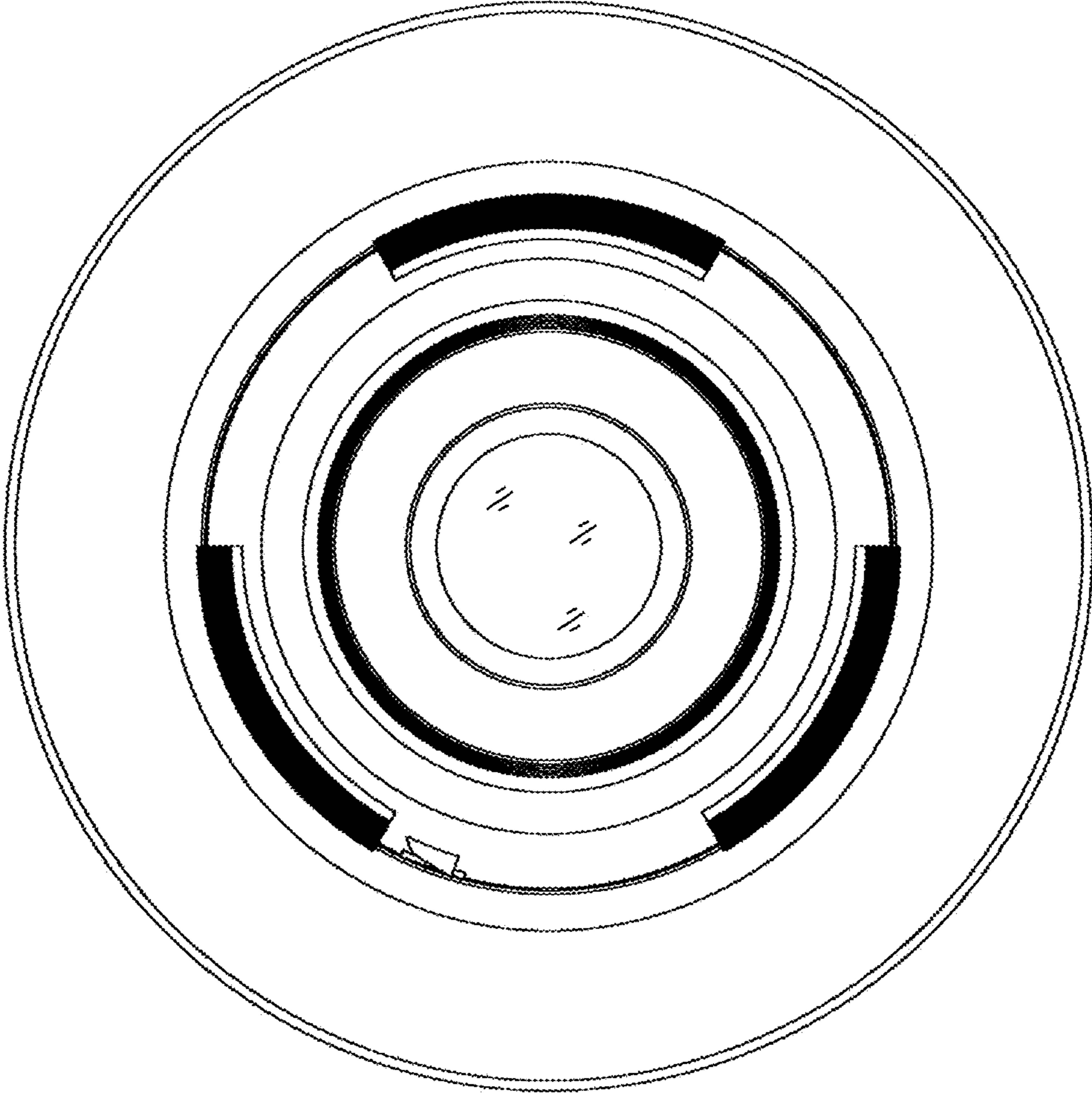
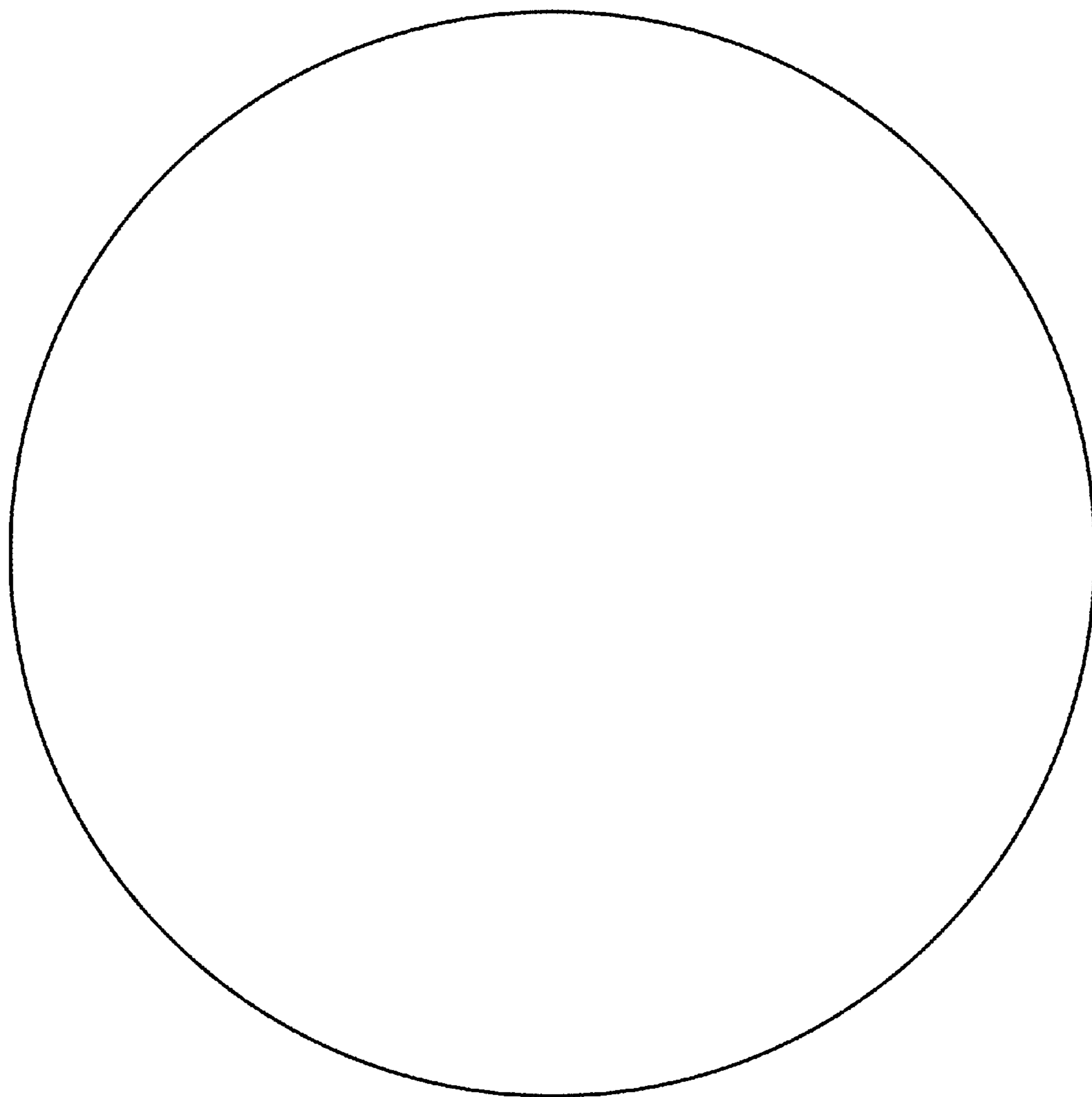


FIG. 7



**FIG. 8**

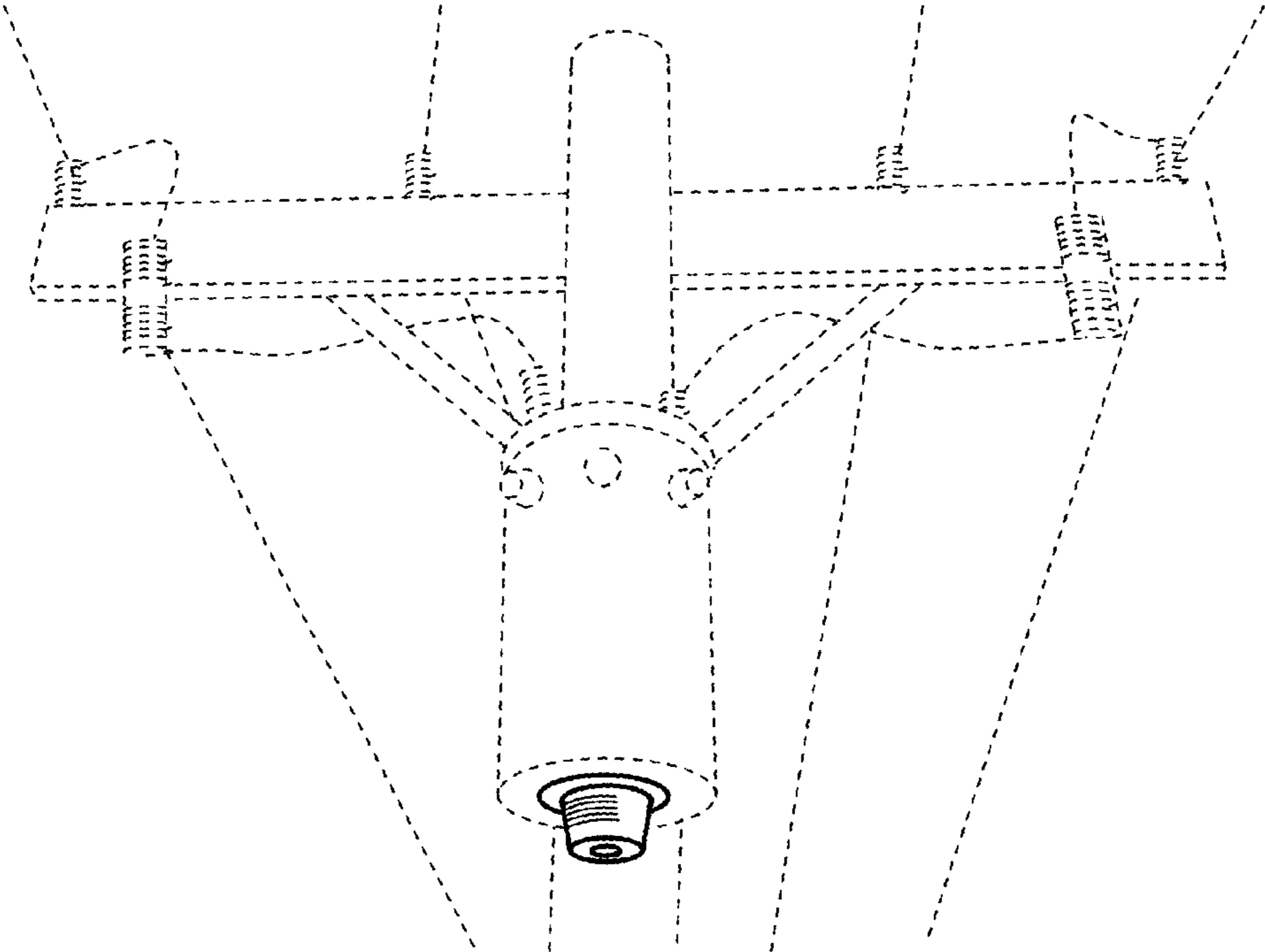


FIG. 9