



US00D702138S

(12) **United States Design Patent**
Emge et al.

(10) **Patent No.:** **US D702,138 S**

(45) **Date of Patent:** **** *Apr. 8, 2014**

(54) **ELECTRONIC DEVICE**

(71) Applicant: **Garmin Switzerland GmbH**,
Schaffhausen (CH)

(72) Inventors: **Mark B. Emge**, Olathe, KS (US);
Gregory M. Groener, Prairie Village,
KS (US); **John J. Stutz**, Shawnee, KS
(US); **Jeffrey A. Shank**, Gardner, KS
(US); **Robert M. Kalis**, Overland Park,
KS (US)

(73) Assignee: **Garmin Switzerland GmbH** (CH)

(*) Notice: This patent is subject to a terminal disclaimer.

(**) Term: **14 Years**

(21) Appl. No.: **29/440,032**

(22) Filed: **Dec. 18, 2012**

(51) **LOC (10) Cl.** **10-04**

(52) **U.S. Cl.**
USPC **D10/65**; D10/70

(58) **Field of Classification Search**
USPC D10/65, 70, 75, 78; D14/138 R, 138 AA,
D14/138 AB, 138 AC, 138 AD, 341-347,
D14/507-510, 136, 167, 168, 496, 498, 499,
D14/500, 125-134, 239, 371, 374-377, 440,
D14/450, 448, 336; 343/702; 345/87, 104,
345/133, 156, 168, 173, 901-905, 165, 418,
345/581, 582, 584; 348/180, 184, 315, 739,
348/836, 838, 325; 364/444, 499;
701/408-418, 431, 432, 537; 312/7.2;
341/12; 720/605, 669, 600, 655;
369/99, 197; 455/344, 347, 575.1;
250/221, 338.3, 340, 239, 342, 341,
250/DIG. 1, 353; 307/116, 117; 340/521,
340/527, 541, 567, 540, 568.2, 539.23, 635,
340/687; 315/159; 324/72.5, 556, 133, 149,
324/503, 543, 555, 66, 72, 754, 115, 141,
324/522; 73/615, 624, 627, 644, 514.33,
73/514.34, 510, 513, 527, 530;

356/3.01-5.15; 235/105; 377/5, 24.2,
377/26; 702/155, 160, 176, 78, 79, 82,
702/91-95, 104, 116, 141, 150, 151, 154,
702/127, 131, 182, 183, 189; 600/437, 443,
600/453, 459, 465, 479, 500, 502, 595, 485,
600/481, 483; 342/176, 175, 179, 180, 190,
342/191, 195; 367/107, 108, 87, 99

See application file for complete search history.

(56) **References Cited**

U.S. PATENT DOCUMENTS

D504,889 S 5/2005 Andre et al. 14/341
D617,219 S * 6/2010 Emge et al. D10/65

(Continued)

OTHER PUBLICATIONS

U.S. Appl. No. 29/440,033, filed Dec. 18, 2012.

(Continued)

Primary Examiner — Antoine D Davis

(74) *Attorney, Agent, or Firm* — Samuel M. Korte;
Mohammad M. Ali

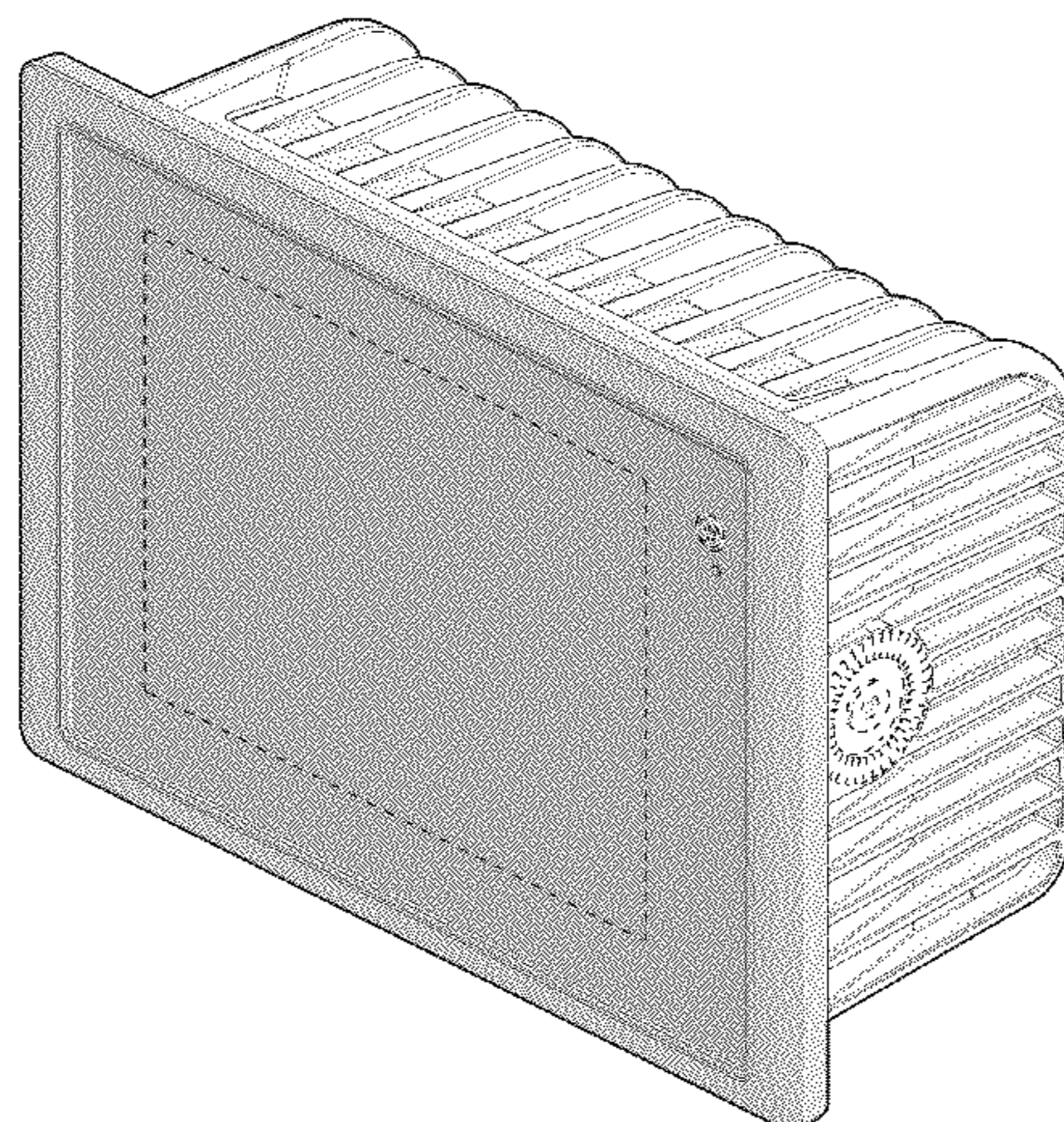
(57) **CLAIM**

The ornamental design for an electronic device, as shown and described.

DESCRIPTION

FIG. 1 is a front perspective view of an electronic device according to embodiments of the present invention; FIG. 2 is a rear perspective view of the electronic device; FIG. 3 is a top view of the electronic device; FIG. 4 is a front view of the electronic device; FIG. 5 is a bottom view of the electronic device; FIG. 6 is a rear view of the electronic device; FIG. 7 is a left side view of the electronic device; and FIG. 8 is a right side view of the electronic device. Portions of FIGS. 1 through 8 are shown in dashed lines for illustrative purposes only and form no part of the claimed design.

1 Claim, 3 Drawing Sheets



(56)

References Cited

OTHER PUBLICATIONS

U.S. PATENT DOCUMENTS

D617,220 S * 6/2010 Emge et al. D10/65
D617,221 S * 6/2010 Emge et al. D10/65
D617,222 S * 6/2010 Emge et al. D10/65

U.S. Appl. No. 29/440,040, filed Dec. 18, 2012.
U.S. Appl. No. 29/440,041, filed Dec. 18, 2012.
U.S. Appl. No. 29/440,044, filed Dec. 18, 2012.

* cited by examiner

Fig. 1

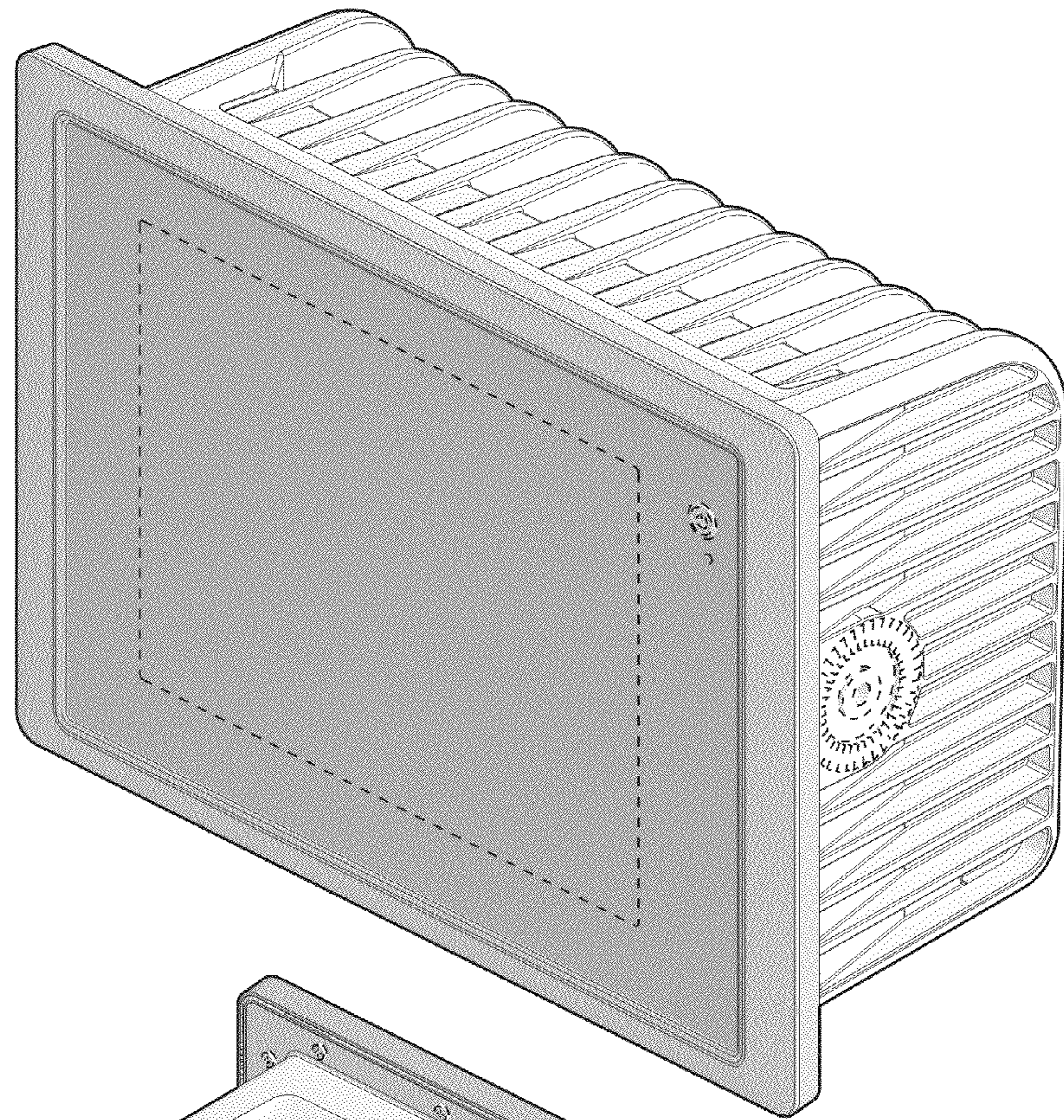


Fig. 2

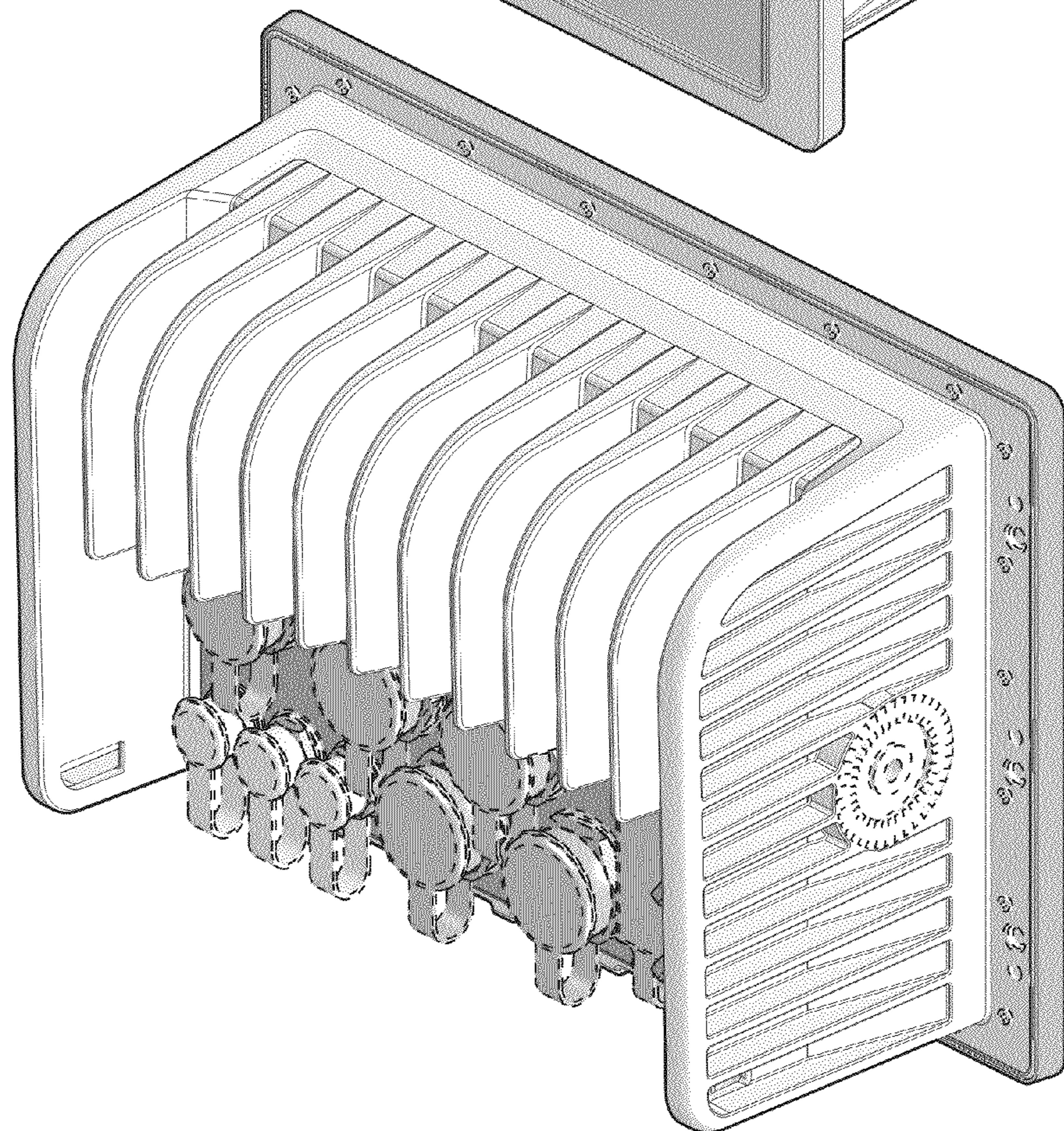


Fig. 3

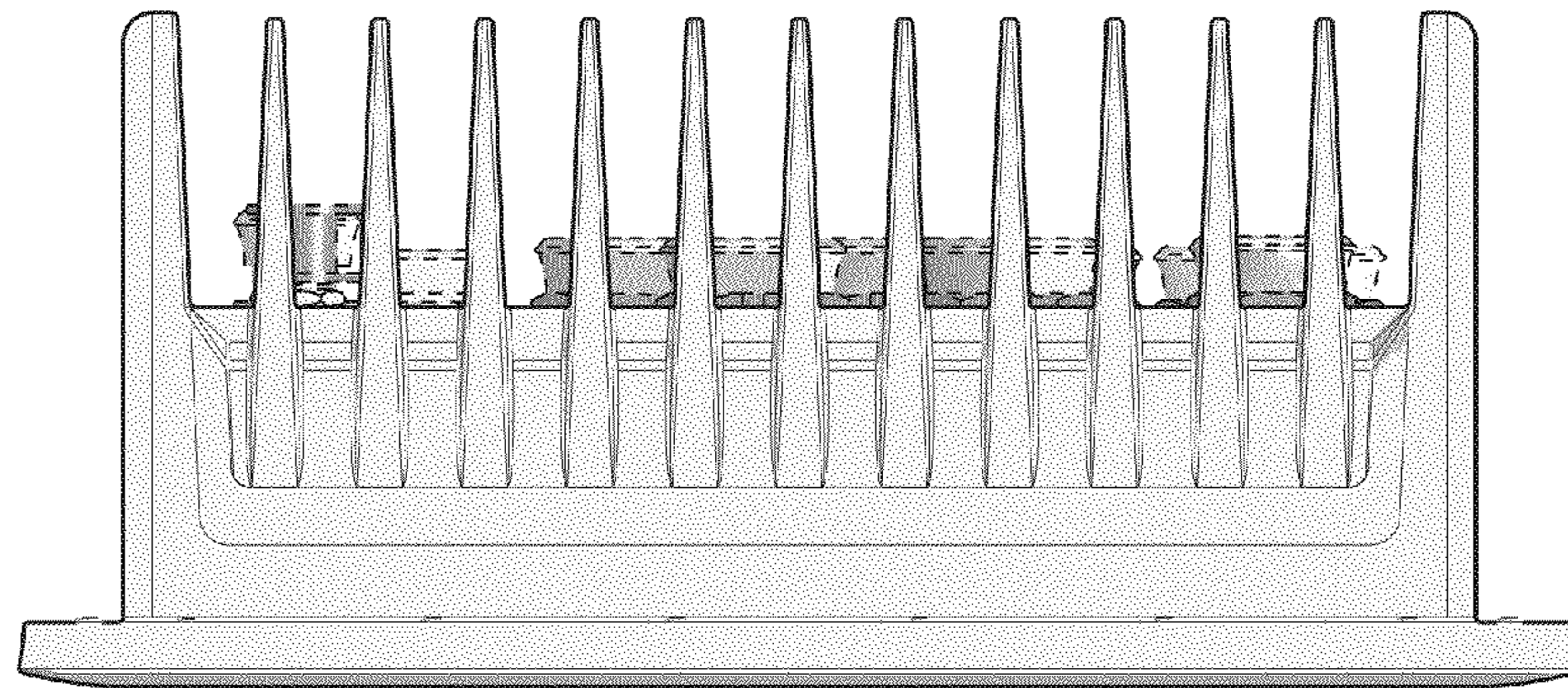


Fig. 4

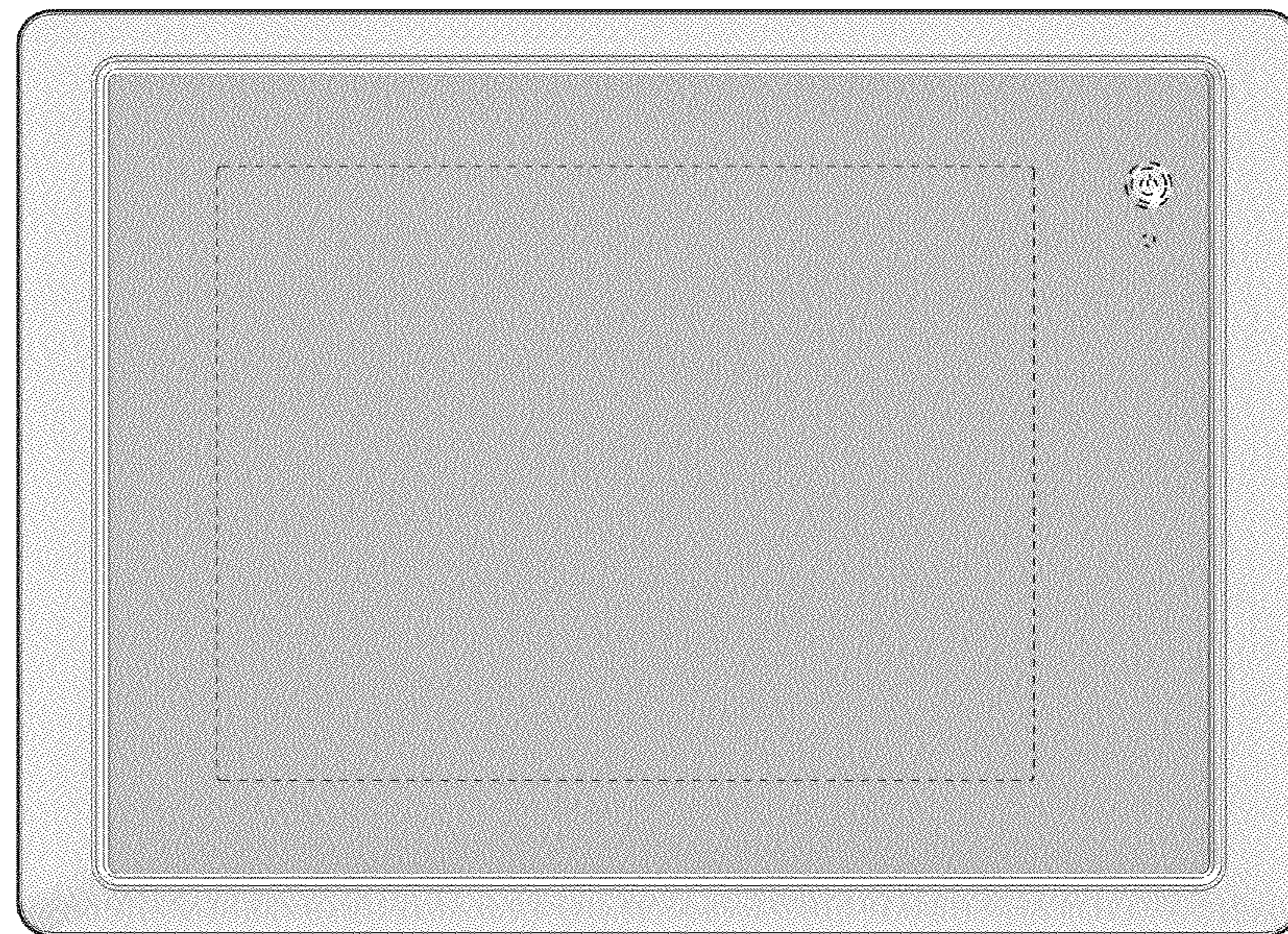
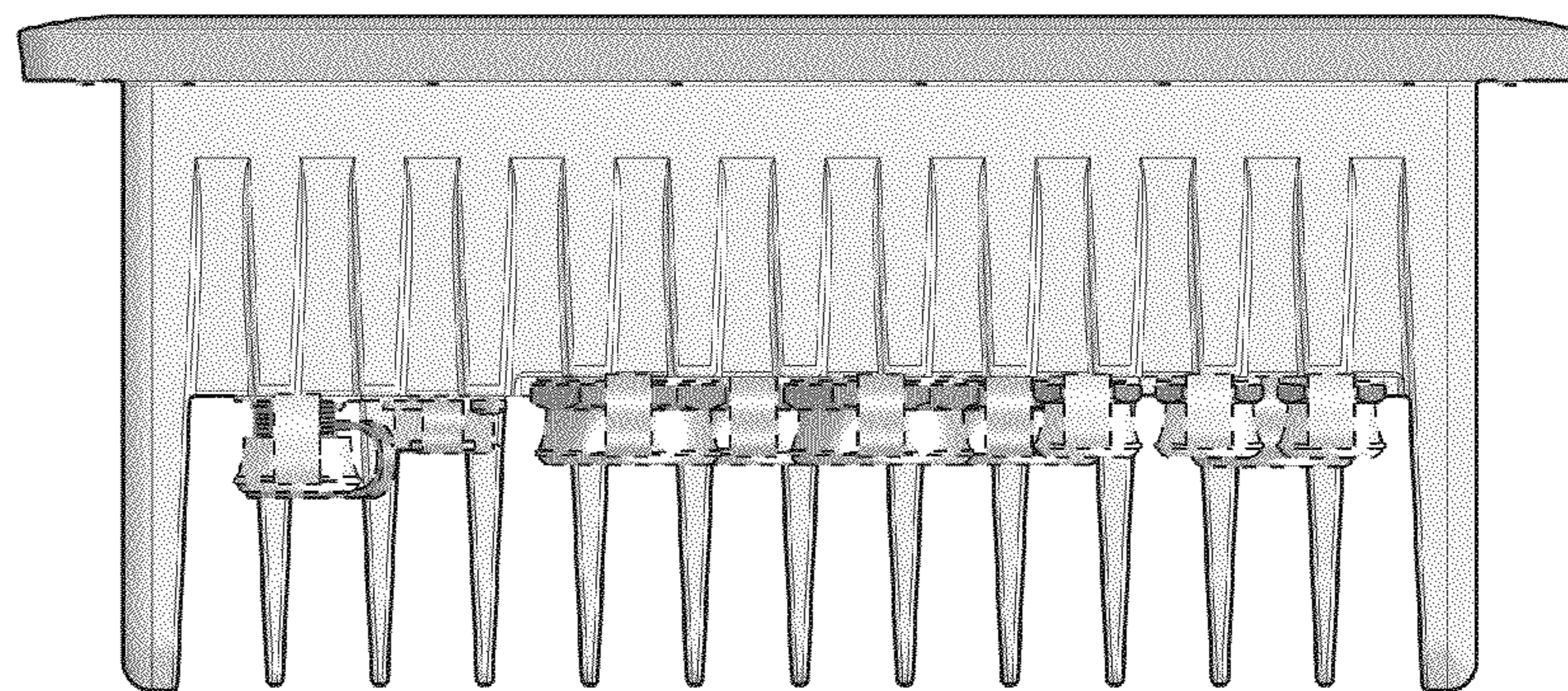


Fig. 5



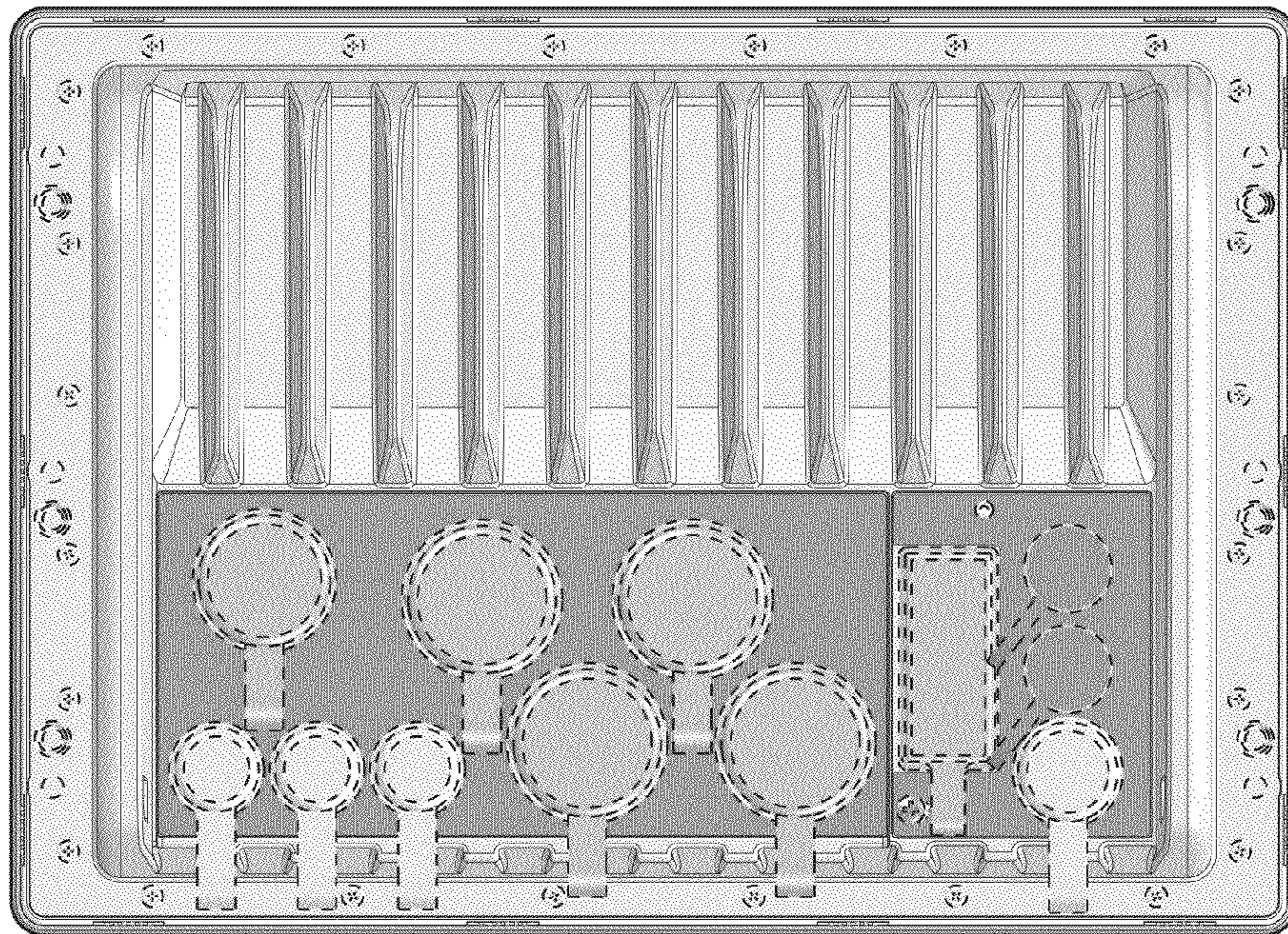


Fig. 6

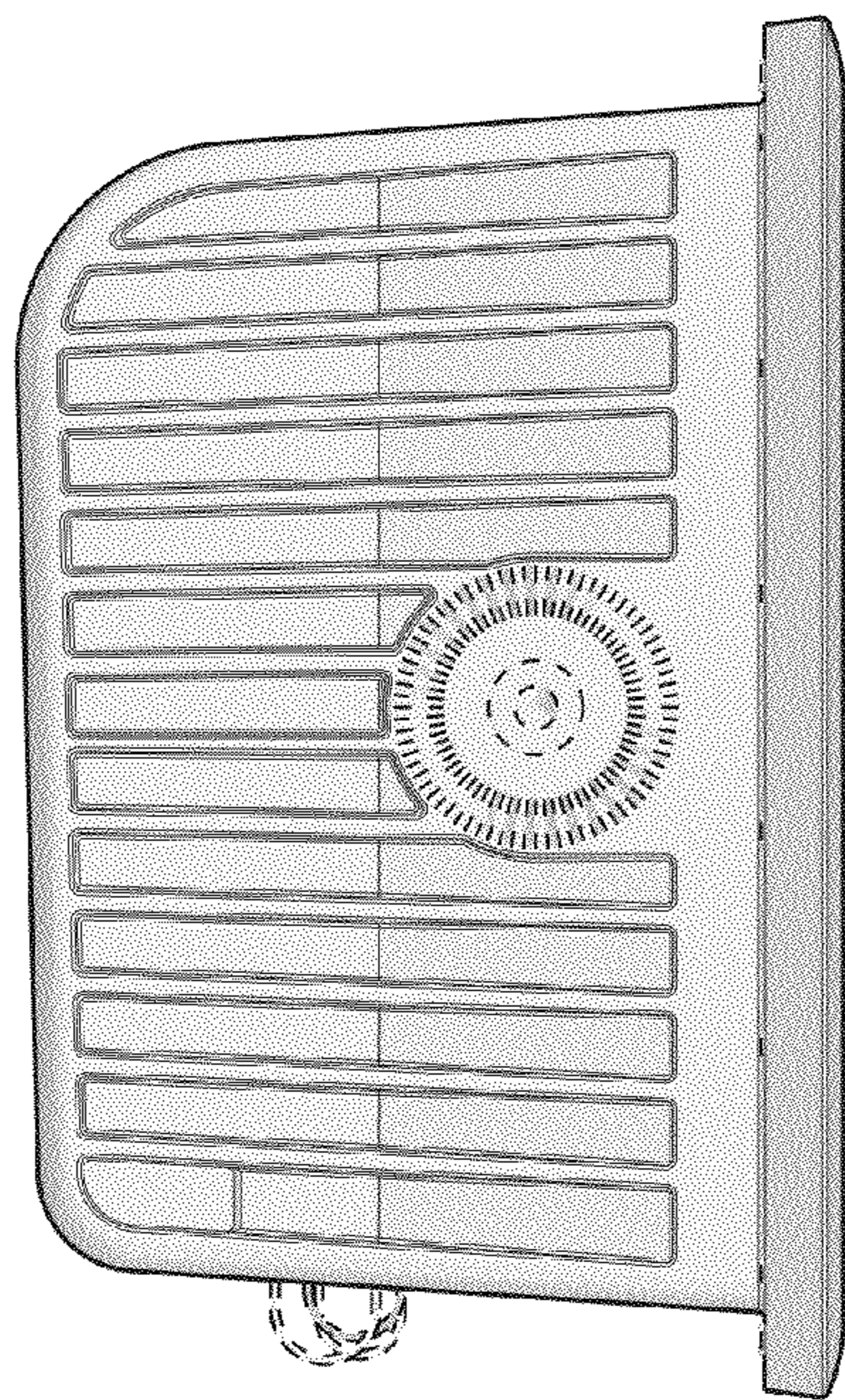


Fig. 7

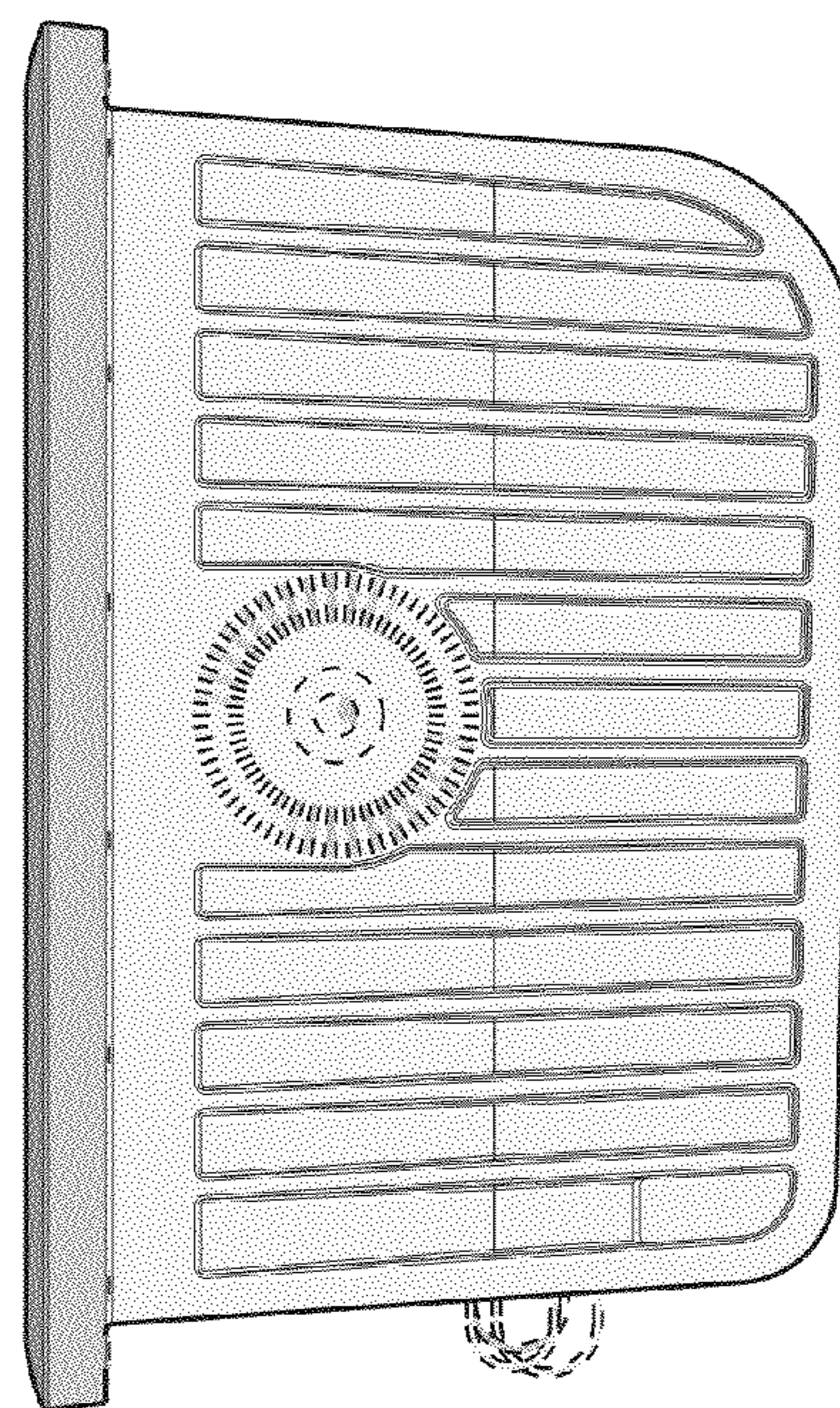


Fig. 8