



US00D702137S

(12) **United States Design Patent**
Zakharov

(10) **Patent No.:** **US D702,137 S**

(45) **Date of Patent:** **** Apr. 8, 2014**

(54) **DIGITAL READOUT CASING**

(71) Applicant: **ZS Systems, LLC**, West Lafayette, IN (US)

(72) Inventor: **Sergey I. Zakharov**, West Lafayette, IN (US)

(73) Assignee: **ZS Systems, LLC**, West Lafayette, IN (US)

(**) Term: **14 Years**

(21) Appl. No.: **29/437,705**

(22) Filed: **Nov. 20, 2012**

(51) **LOC (10) Cl.** **10-04**

(52) **U.S. Cl.**
USPC **D10/50**

(58) **Field of Classification Search**
USPC D10/49-50; D13/162; 55/270, 274, 55/DIG. 7, 34; 62/176.6, 125-130, 78, 62/180, 186; 73/23.2, 23.34, 31.01, 31.02, 73/431, 170.16-170.19, 170.21-170.25, 73/863.12, 29, 29.02, 335.14; 236/46 R, 236/47, 94, 44 C, 44 R, 49.3, 44 A, 96; 337/112, 327, 360; 340/602, 627, 632, 340/634; 361/346; 364/141, 146, 147, 188, 364/420, 557; 454/229, 239, 256, 257, 258; 700/18, 159, 181, 278

See application file for complete search history.

(56) **References Cited**

U.S. PATENT DOCUMENTS

D249,476 S * 9/1978 Kolbow D10/60
4,264,034 A * 4/1981 Hyltin et al. 236/46 R
D520,883 S * 5/2006 Hillard et al. D10/50

* cited by examiner

Primary Examiner — Antoine D Davis

(74) *Attorney, Agent, or Firm* — Woodard, Emhardt, Moriarty, McNett & Henry LLP

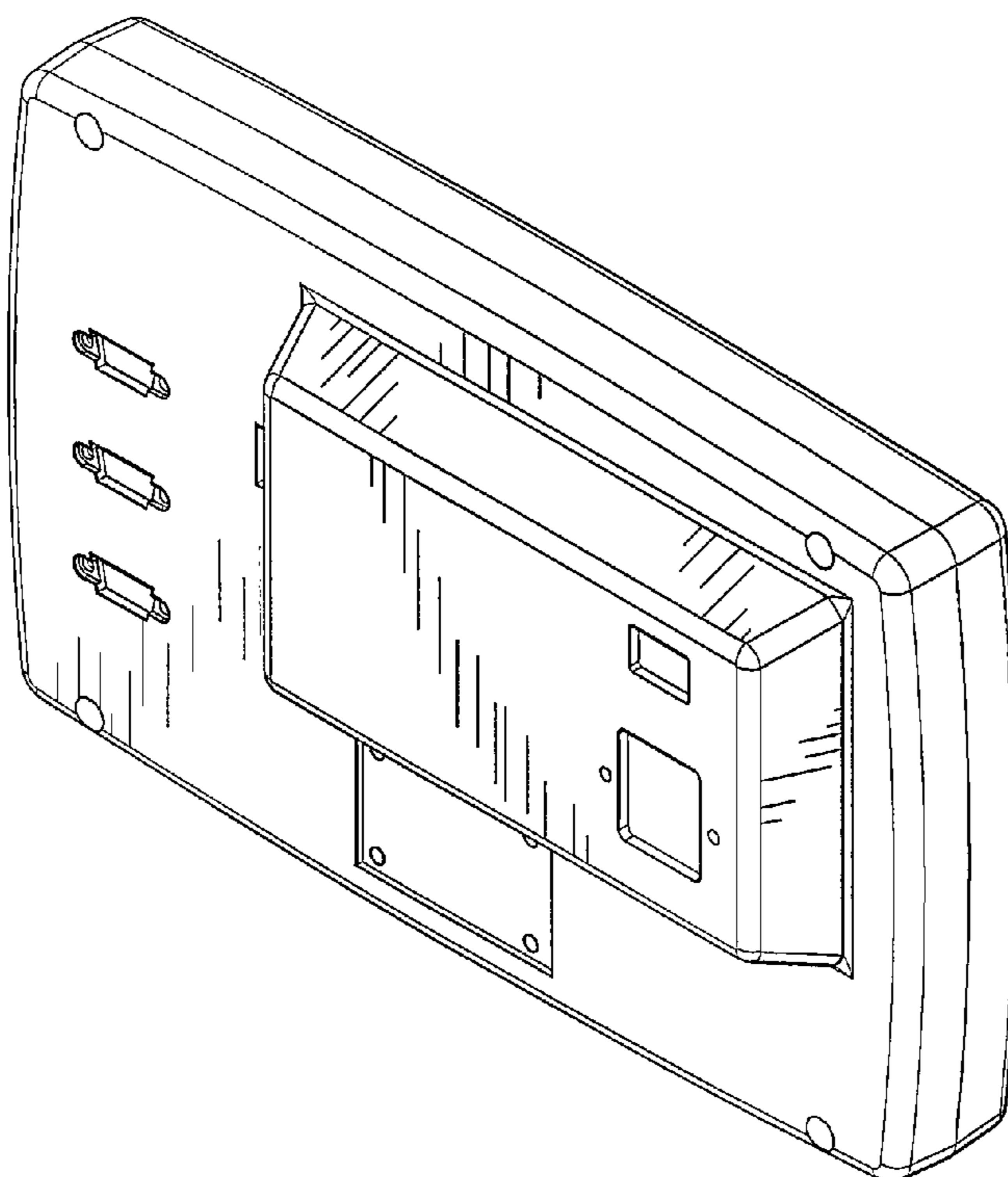
(57) **CLAIM**

The ornamental design for a digital readout casing, as shown and described.

DESCRIPTION

FIG. 1 is a perspective view of the casing incorporating my new design;
FIG. 2 is a front view thereof;
FIG. 3 is a back view thereof;
FIG. 4 is a top view with the bottom view being a mirror image thereof; and,
FIG. 5 is a right side view with the left side view being a mirror image thereof.

1 Claim, 3 Drawing Sheets



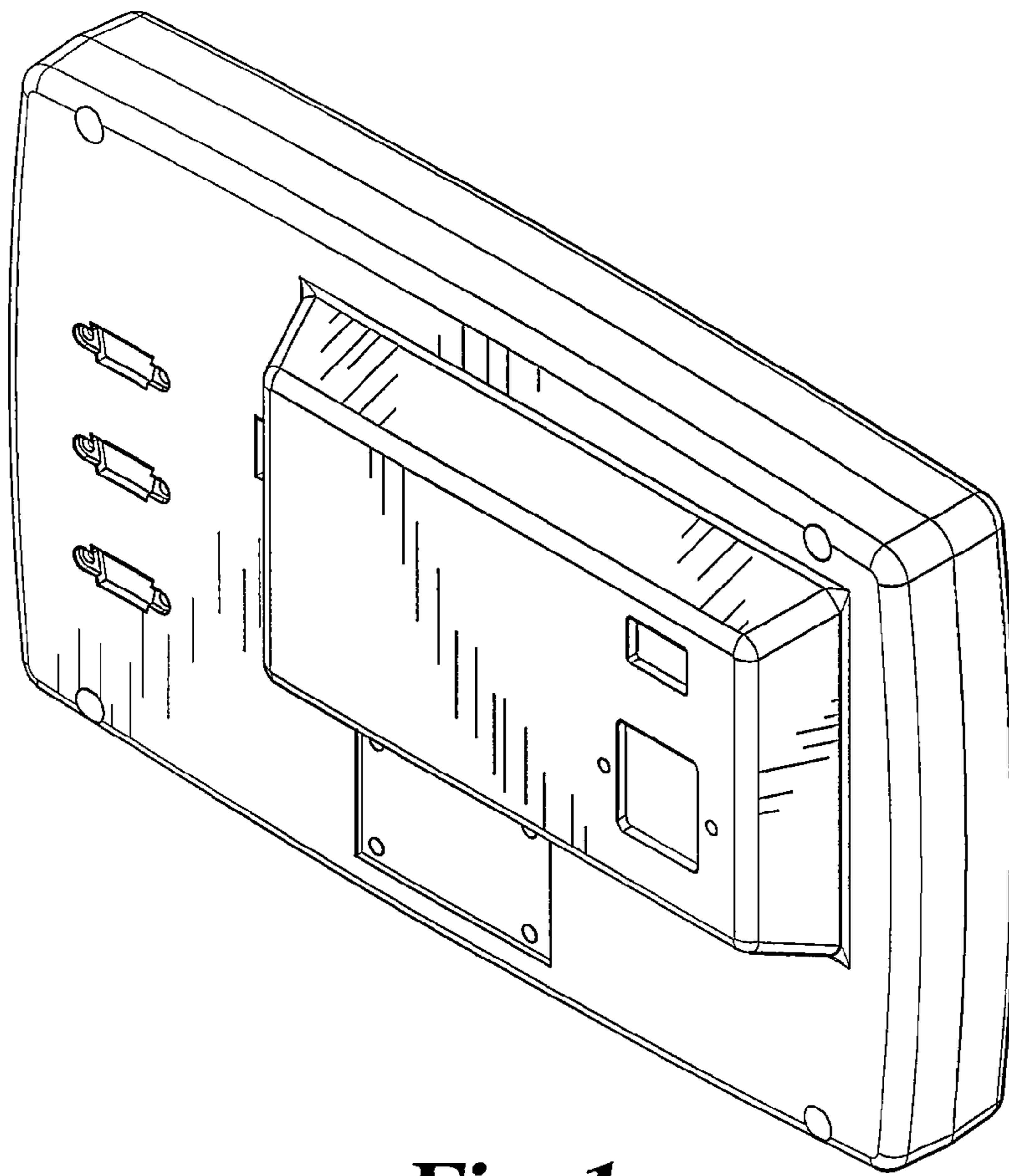


Fig. 1

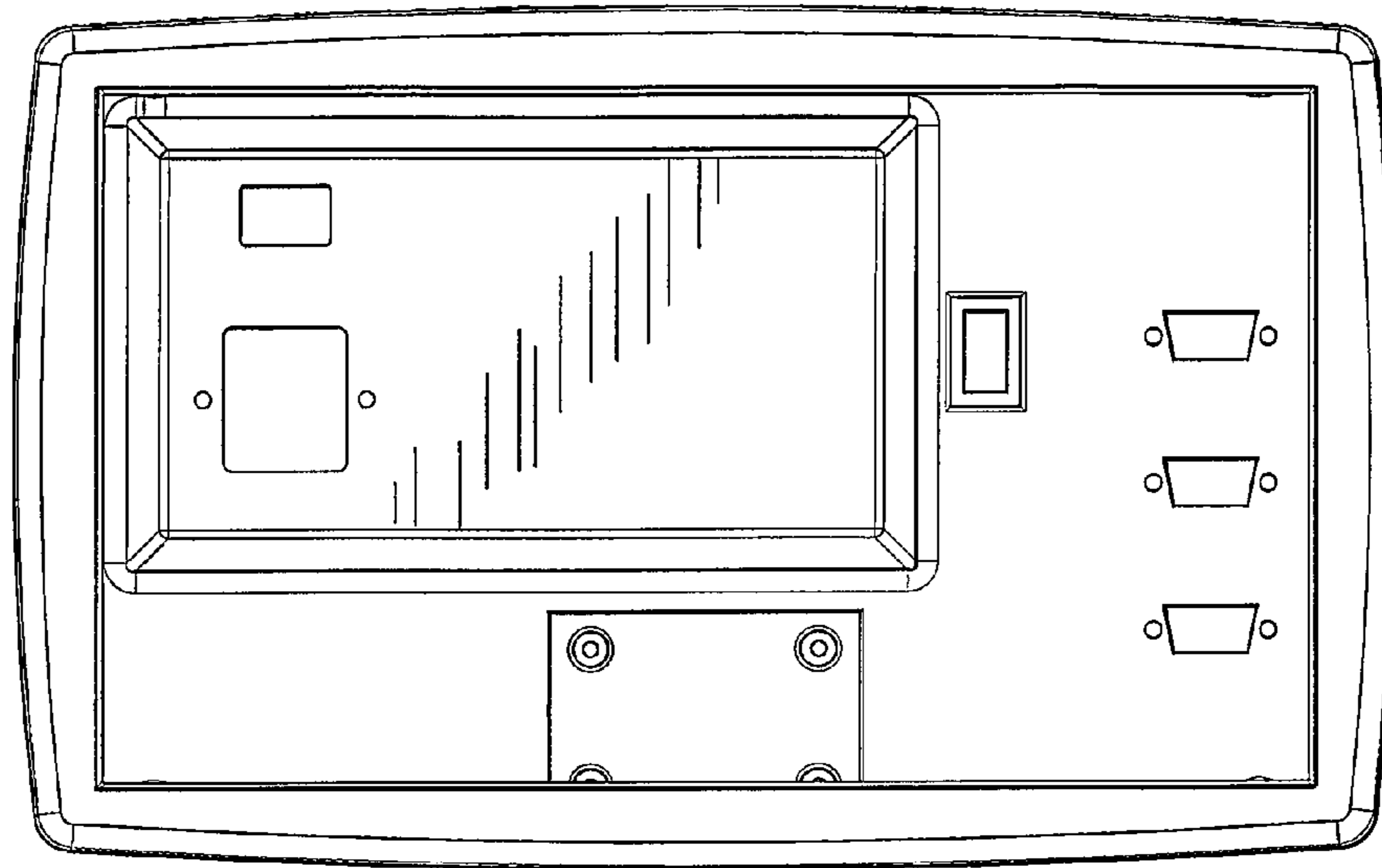


Fig. 2

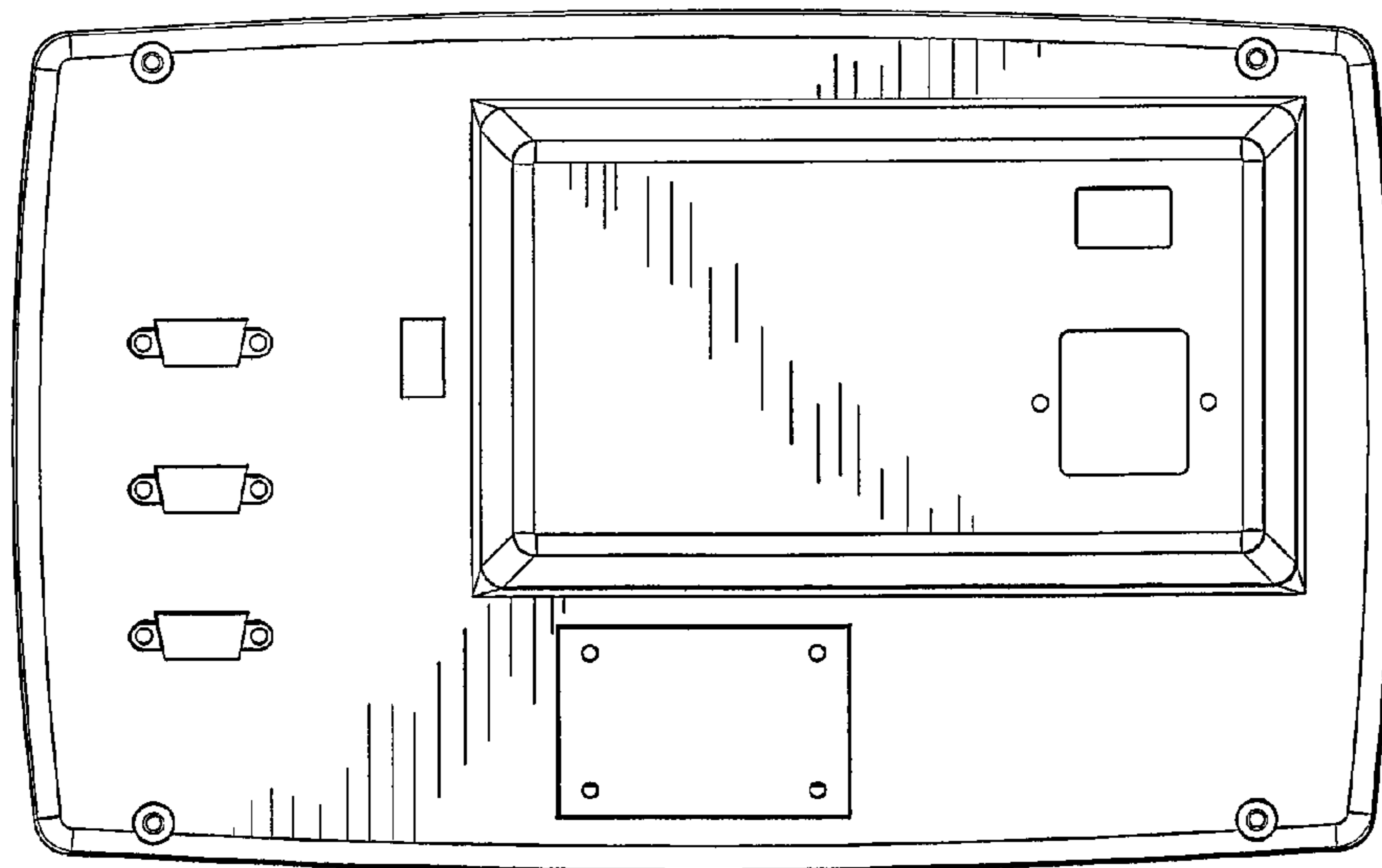


Fig. 3

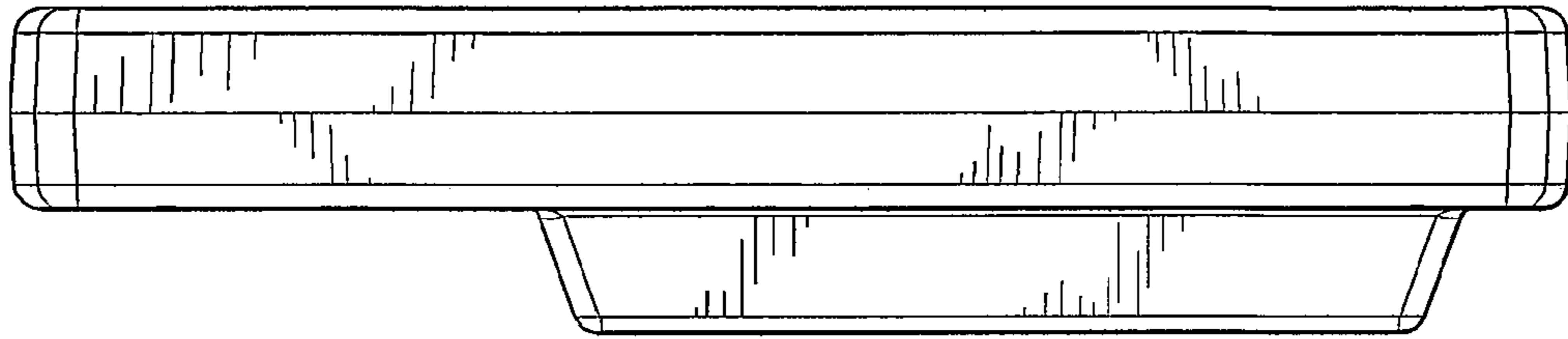


Fig. 4

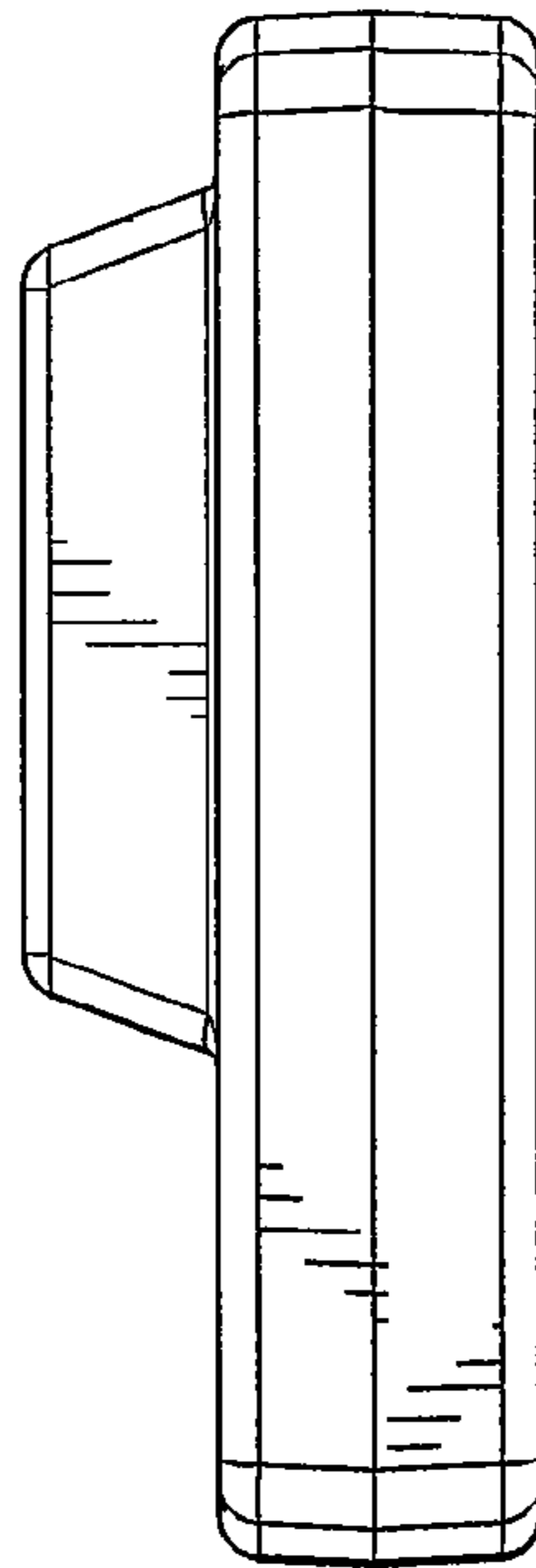


Fig. 5