



US00D702134S

(12) **United States Design Patent**
Hjalmarsson

(10) **Patent No.:** **US D702,134 S**
(45) **Date of Patent:** **** Apr. 8, 2014**

(54) **LADDER PACK**

(71) Applicant: **Per Hjalmarsson**, Mälmo (SE)

(72) Inventor: **Per Hjalmarsson**, Mälmo (SE)

(73) Assignee: **TwoPac AB**, Eslov (SE)

(**) Term: **14 Years**

(21) Appl. No.: **29/455,010**

(22) Filed: **May 16, 2013**

Related U.S. Application Data

(62) Division of application No. 29/373,679, filed on May 9, 2011, now Pat. No. Des. 685,651.

(51) **LOC (10) Cl.** **09-01**

(52) **U.S. Cl.**
USPC **D9/732**

(58) **Field of Classification Search**

USPC D9/416, 418, 419, 424, 427, 428, 437,
D9/644, 653, 658, 736-762, 902; 206/365,
206/461-471, 484, 485, 486, 493, 528, 531,
206/532, 534, 538, 539, 775-783;
D24/121, 227, 229, 224; D7/538, 541,
D7/546, 549, 553.6, 553.3, 557, 586, 628;
D3/203.2, 203.3, 310, 309, 311, 312,
D3/313; D26/9, 11, 22, 23, 39, 101

See application file for complete search history.

(56) **References Cited**

U.S. PATENT DOCUMENTS

D134,061	S	*	10/1942	Salfisberg	D9/707
D138,754	S	*	9/1944	Salfisberg	D9/707
2,736,656	A	*	2/1956	Marshall	426/396
2,833,401	A	*	5/1958	Lefebvre	206/466
2,889,922	A	*	6/1959	Clarvoe	206/484
3,372,797	A	*	3/1968	Grevich	206/484
3,904,166	A	*	9/1975	Wadsworth	249/197
6,443,307	B1	*	9/2002	Burridge	206/532
D528,433	S	*	9/2006	Lofman	D9/732
2002/0088737	A1	*	7/2002	Stepp	206/538
2003/0106812	A1	*	6/2003	Wilkman	206/210

* cited by examiner

Primary Examiner — Derrick Holland

Assistant Examiner — Lauren Calve

(74) *Attorney, Agent, or Firm* — Lynn E. Barber

(57) **CLAIM**

The ornamental design for a ladder pack, as shown and described.

DESCRIPTION

FIG. 1 is a perspective view of the ladder pack of the present invention.

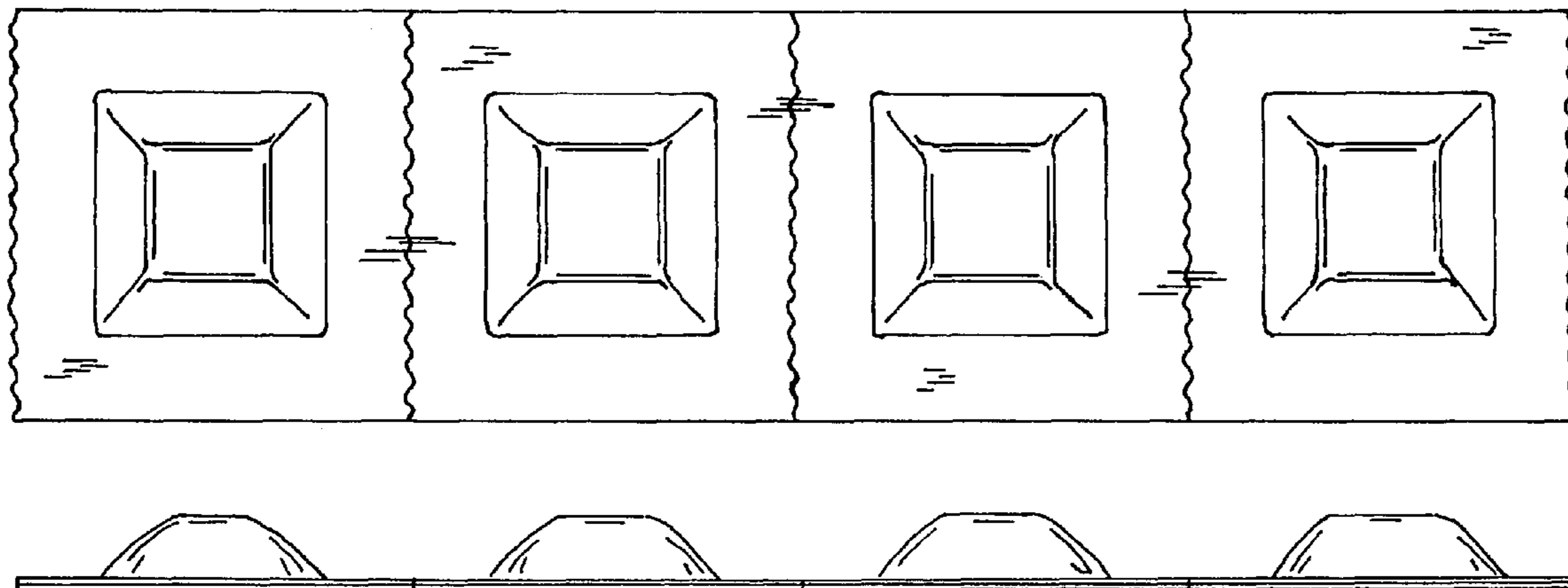
FIG. 2 is a front view of the ladder pack of FIG. 1.

FIG. 3 is a side view of the ladder pack of FIG. 1.

FIG. 4 is a rear view of the ladder pack of FIG. 1; and,

FIG. 5 is a bottom view of the ladder pack of FIG. 1.

1 Claim, 3 Drawing Sheets



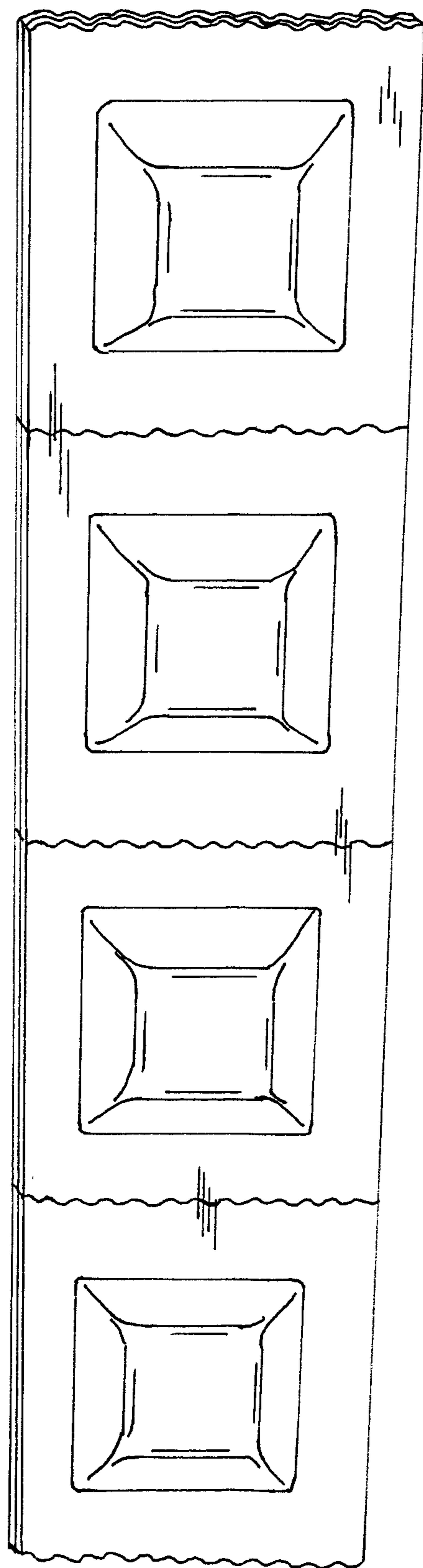


FIG. 1

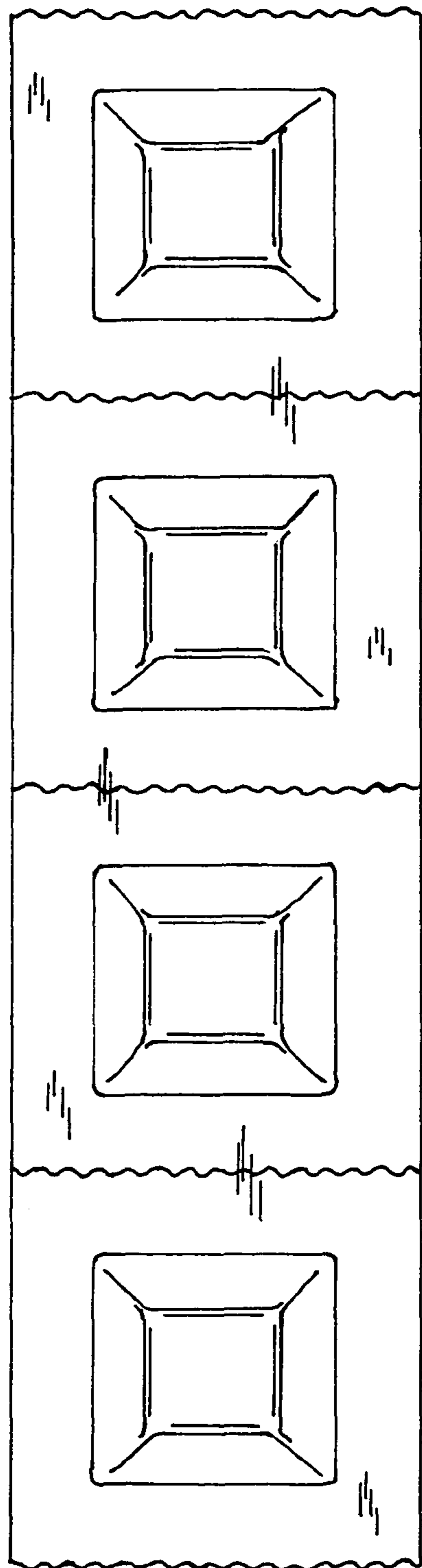


FIG. 2

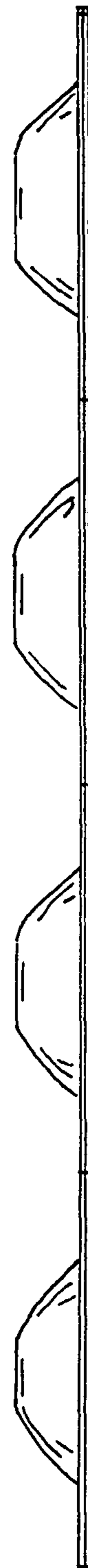


FIG. 3

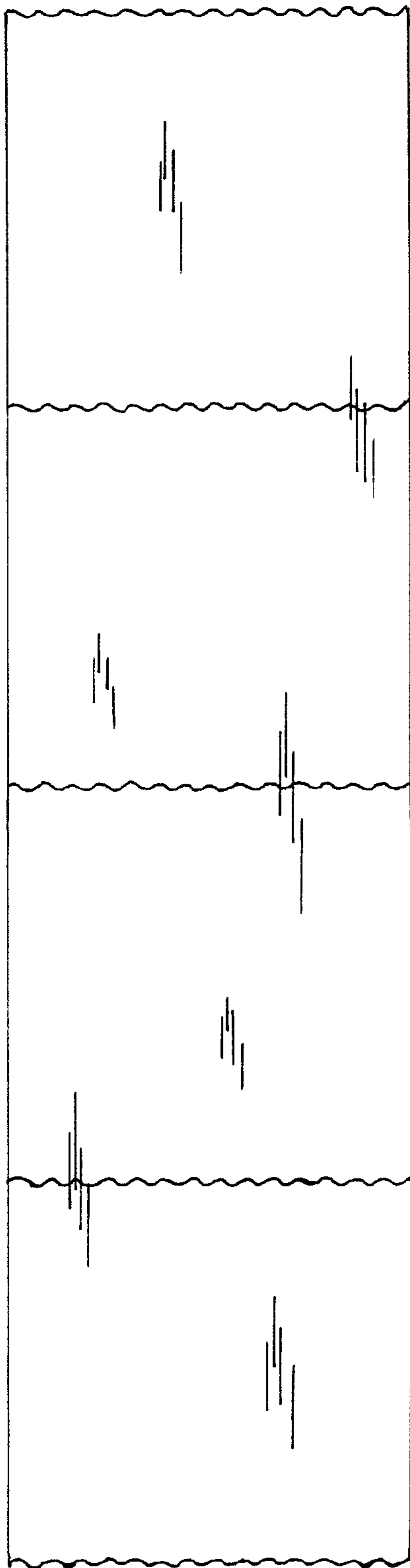


FIG. 4

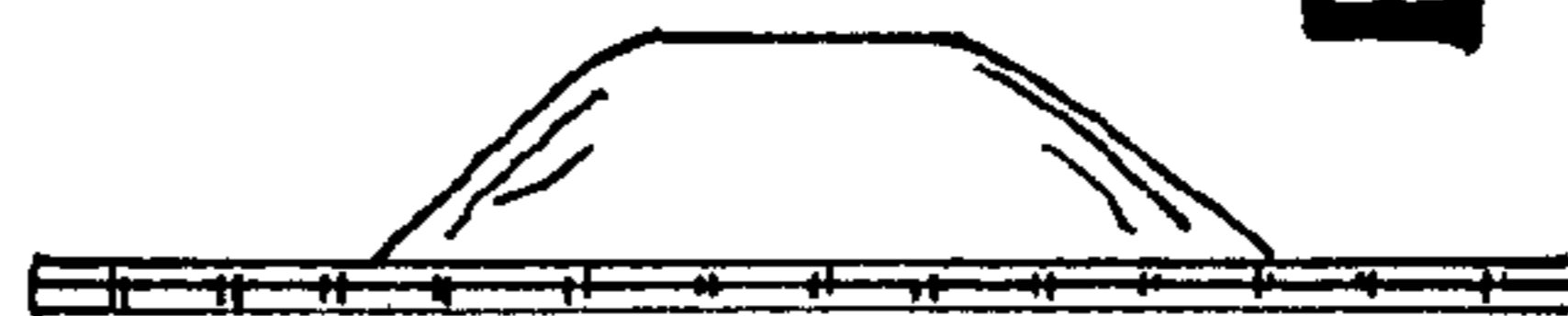


FIG. 5