



US00D702132S

(12) **United States Design Patent**
Gebhardt

(10) **Patent No.:** **US D702,132 S**

(45) **Date of Patent:** **** Apr. 8, 2014**

(54) **BEVERAGE CADDY**

(71) Applicant: **TC Manufacturing Company, Inc.**,
Evanston, IL (US)

(72) Inventor: **Terry Gebhardt**, Longview, TX (US)

(73) Assignee: **TC Manufacturing Company, Inc.**,
Evanston, IL (US)

(**) Term: **14 Years**

(21) Appl. No.: **29/461,985**

(22) Filed: **Jul. 30, 2013**

(51) **LOC (10) Cl.** **09-05**

(52) **U.S. Cl.**
USPC **D9/709**

(58) **Field of Classification Search**
USPC D9/702-714, 720-722, 414, 434-435,
D9/696, 716, 771, 447, 516-517, 738-747,
D9/544; D24/118, 207; 383/6, 9, 22, 96,
383/61.1, 80-81, 104, 901, 63, 203, 107,
383/119-120, 123; 220/675; 215/381-385,
215/400; 206/484; D3/202; 428/34.3
See application file for complete search history.

(56) **References Cited**

U.S. PATENT DOCUMENTS

D194,806 S * 3/1963 Kracht, Jr. D9/520
D469,018 S * 1/2003 Allanson et al. D9/527
D597,856 S * 8/2009 Sherrill et al. D9/708

D639,185 S * 6/2011 Hung D9/709
D645,762 S * 9/2011 Hong et al. D9/710
D654,372 S * 2/2012 Hung D9/710
D663,219 S * 7/2012 McClellan et al. D9/709
D674,290 S * 1/2013 Berman D9/707
D676,763 S * 2/2013 Kenmotsu et al. D9/707
D687,718 S * 8/2013 Copeland et al. D9/708
D688,139 S * 8/2013 Larkin et al. D9/709
D690,605 S * 10/2013 Hong et al. D9/710

* cited by examiner

Primary Examiner — Caron D Veynar

Assistant Examiner — Abraham Bahta

(74) *Attorney, Agent, or Firm* — Dennemeyer & Associates,
LLC.

(57) **CLAIM**

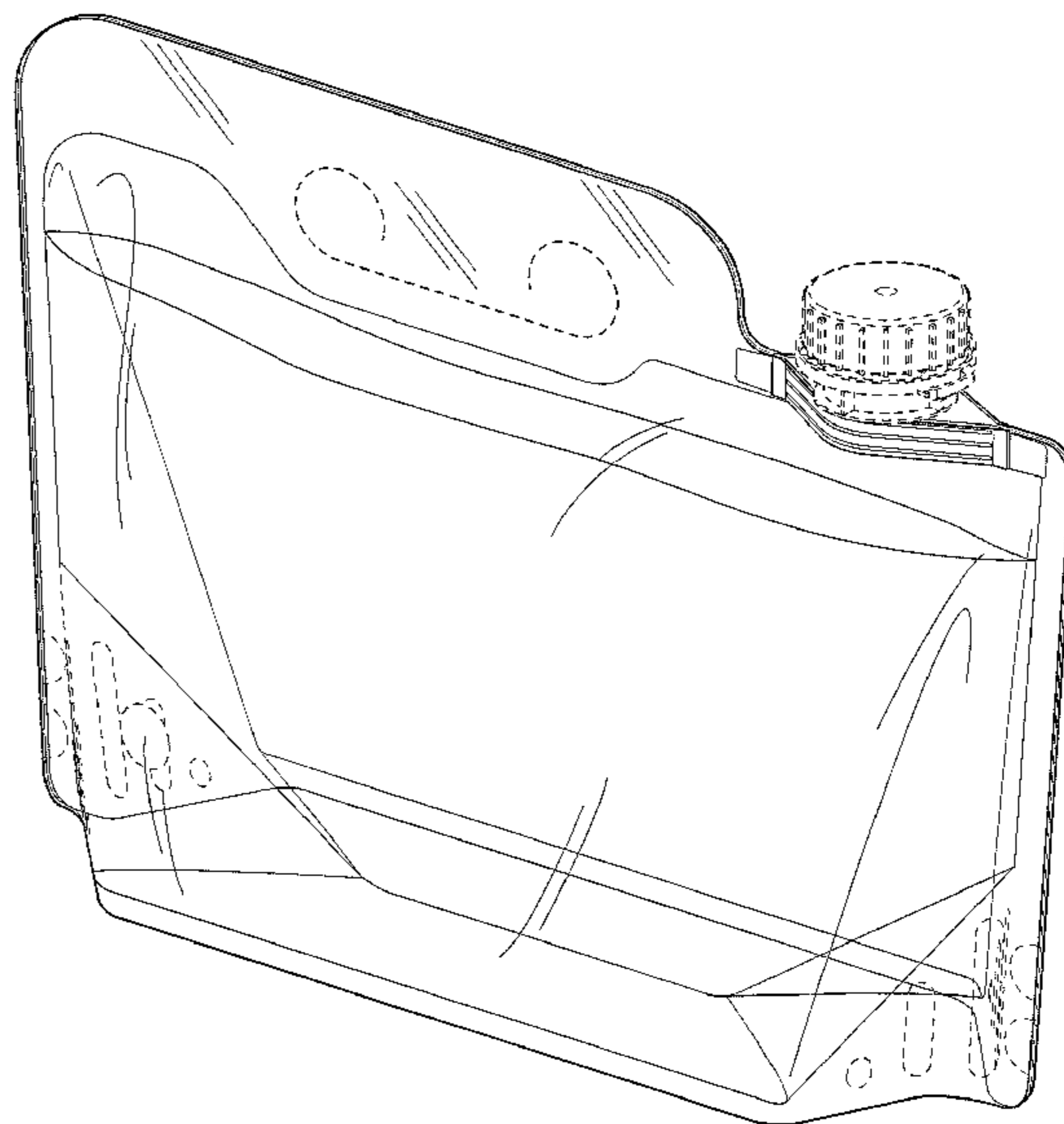
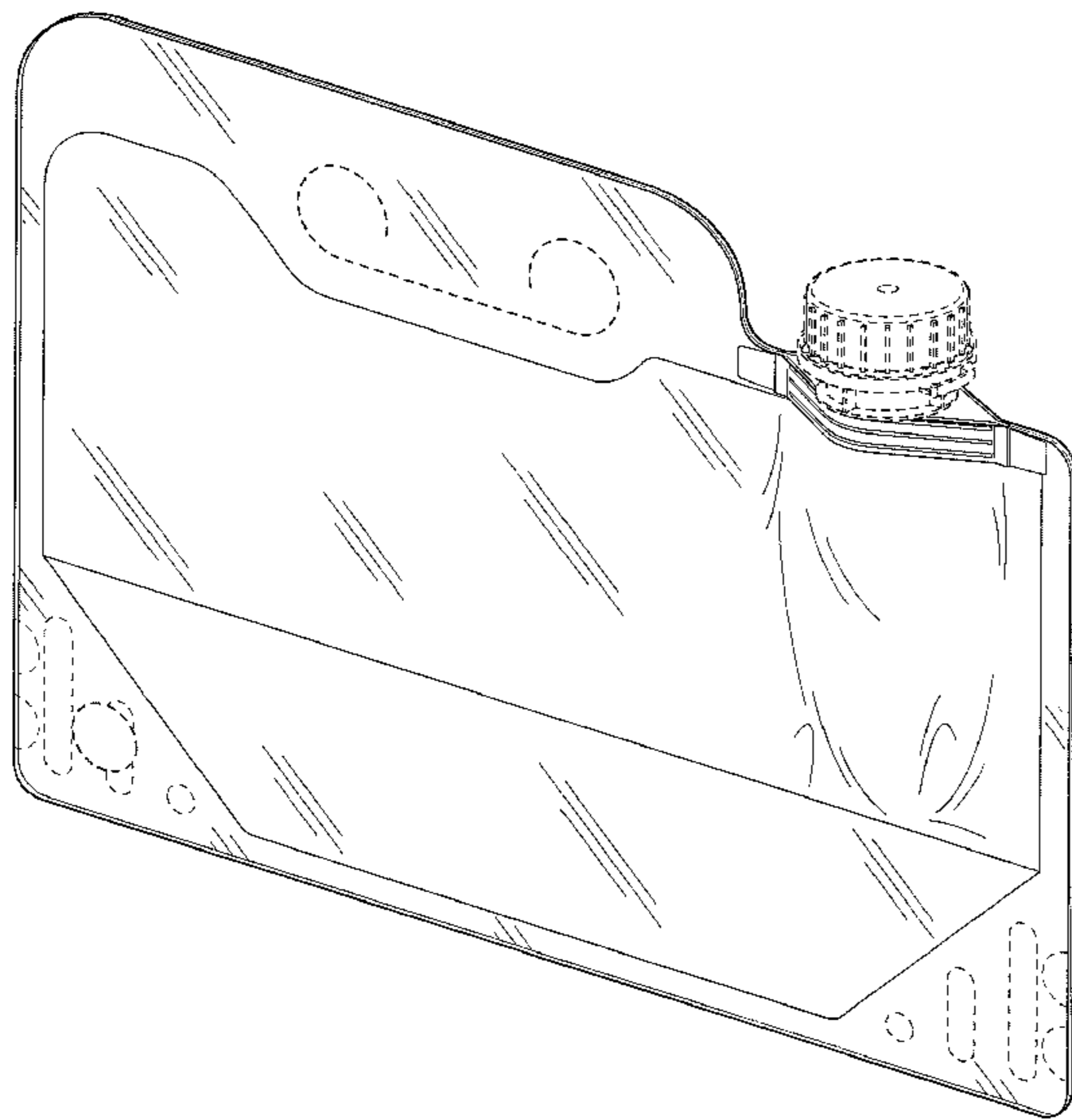
The ornamental design for a beverage caddy, as shown and described.

DESCRIPTION

FIG. 1 is a perspective view of the beverage caddy;
FIG. 2 is a right side elevational view of the beverage caddy;
FIG. 3 is a left side elevational view of the beverage caddy;
FIG. 4 is a front side elevational view of the beverage caddy;
FIG. 5 is a rear side elevational view of the beverage caddy;
FIG. 6 is a bottom plan view of the beverage caddy;
FIG. 7 is a top plan view of the beverage caddy; and,
FIG. 8 is perspective view of the beverage caddy in a second,
filled, condition.

The features shown in broken lines in the drawings illustrate environment that forms no part of the claimed design.

1 Claim, 4 Drawing Sheets



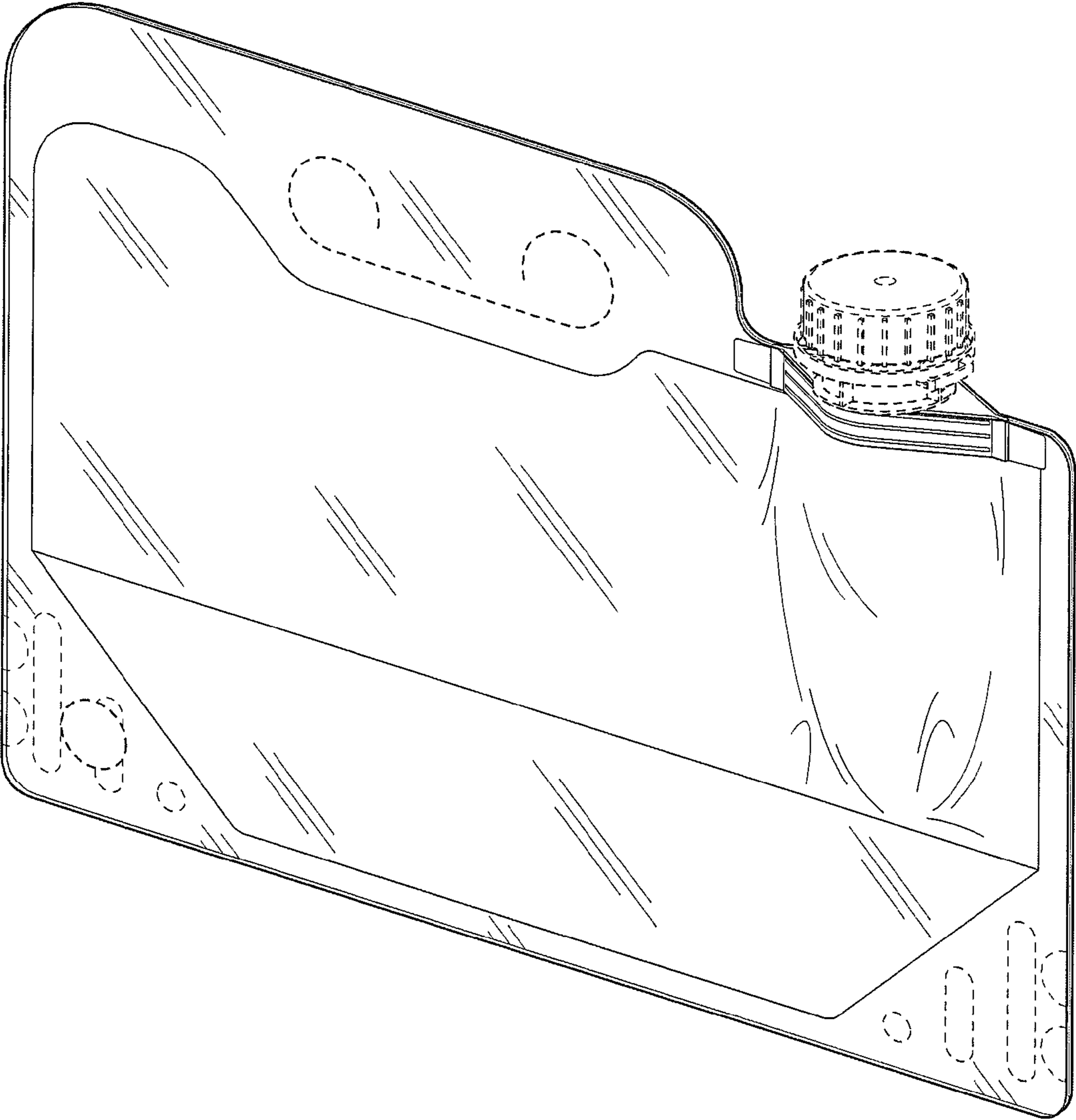


FIG. 1

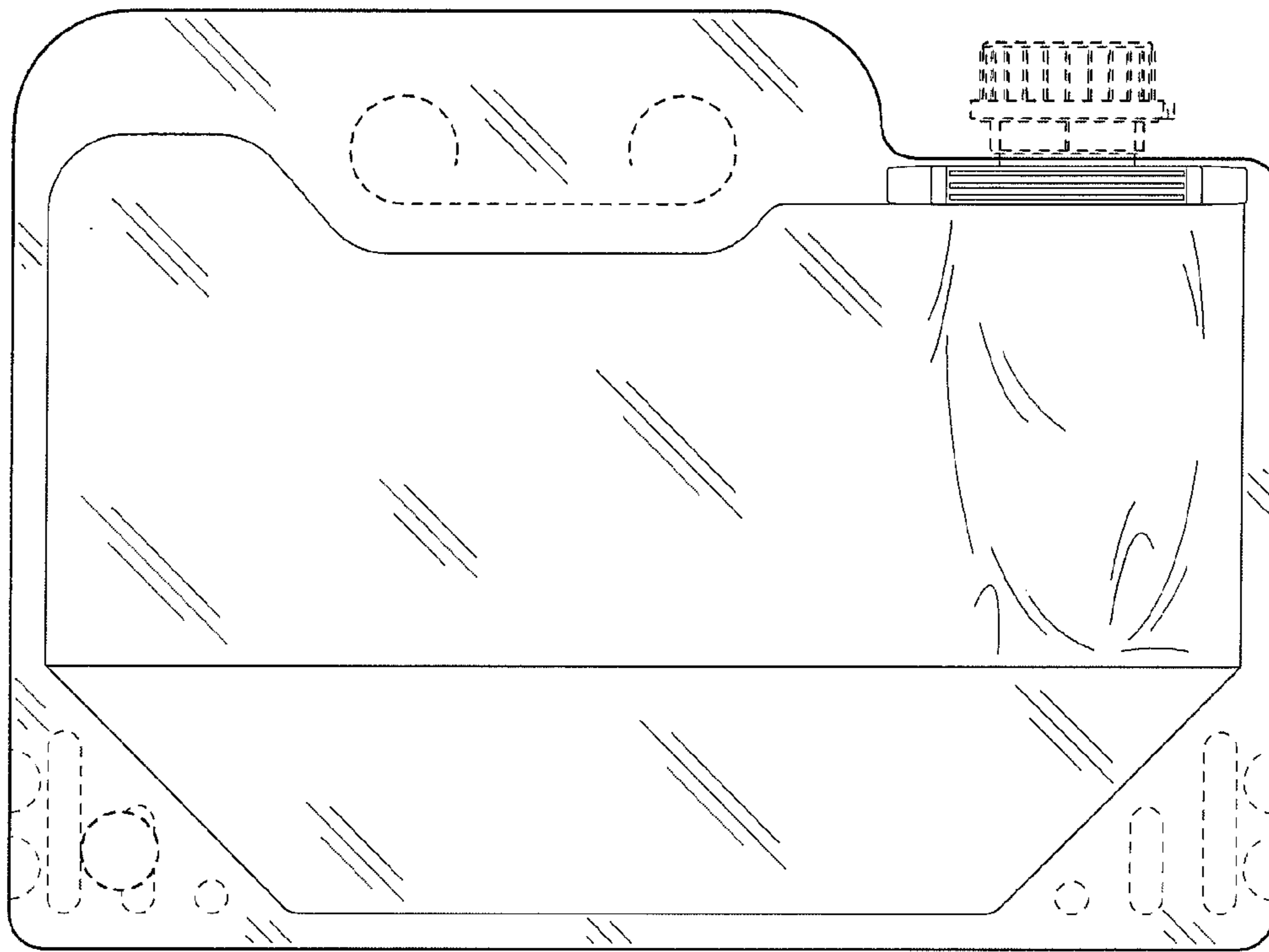


FIG. 2

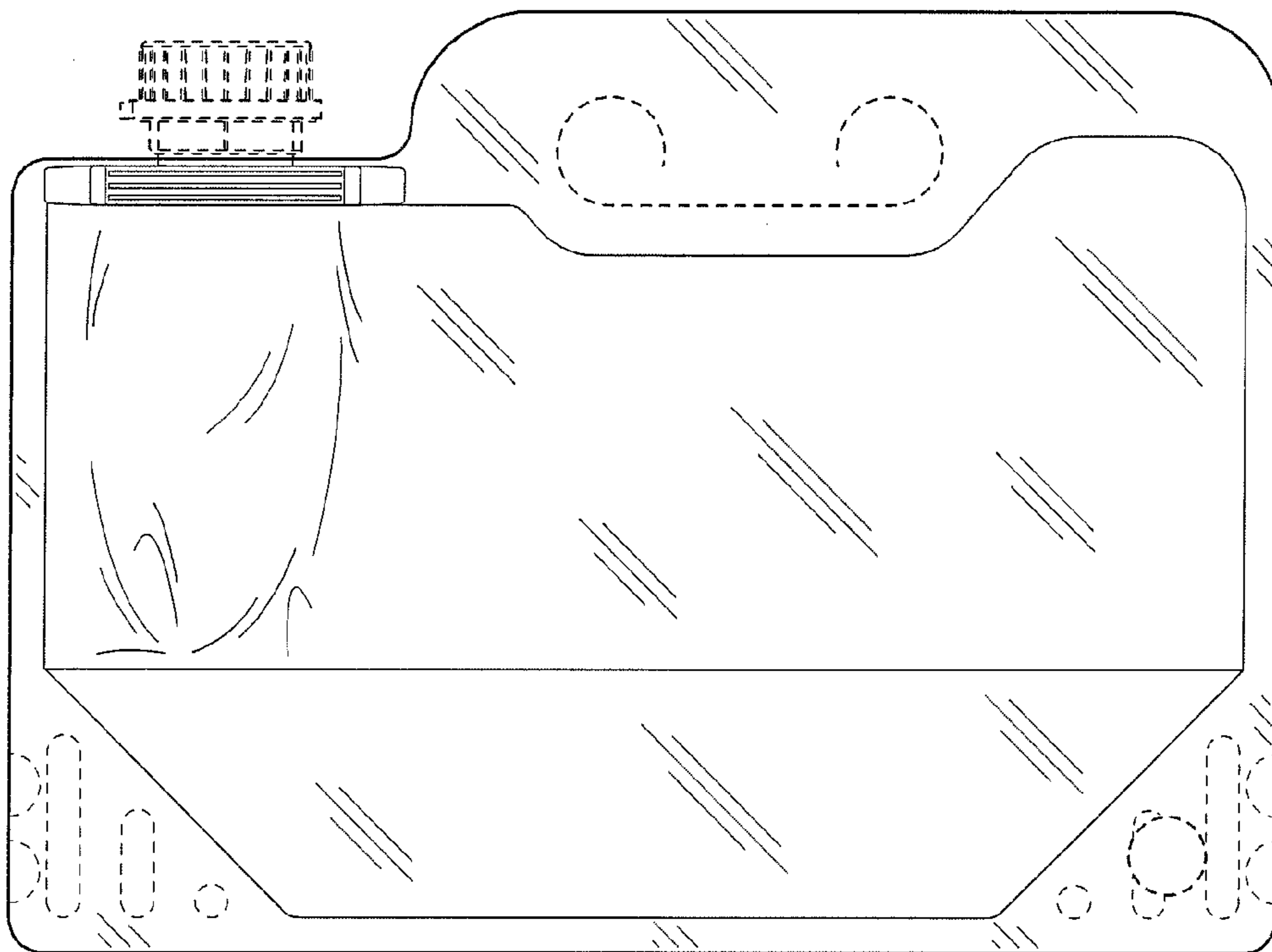


FIG. 3

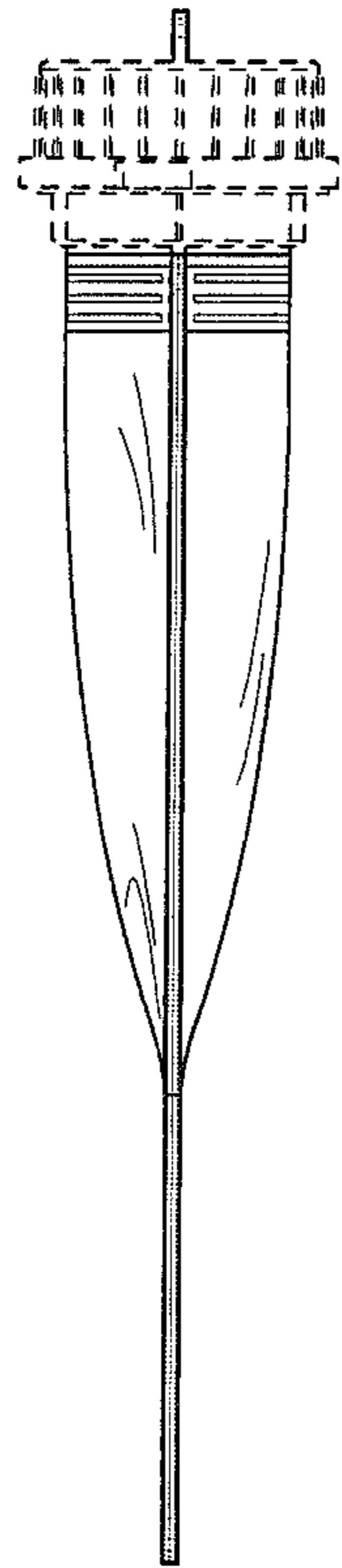


FIG. 4

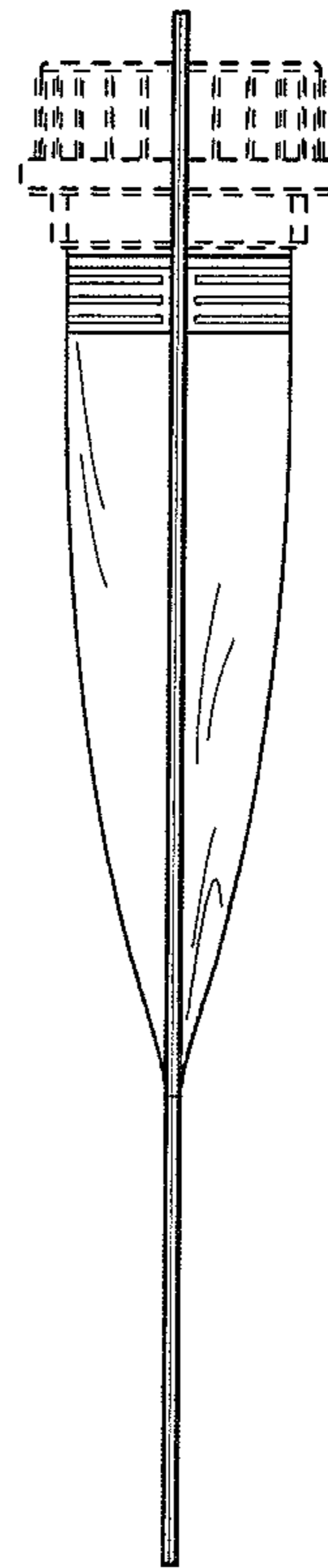


FIG. 5

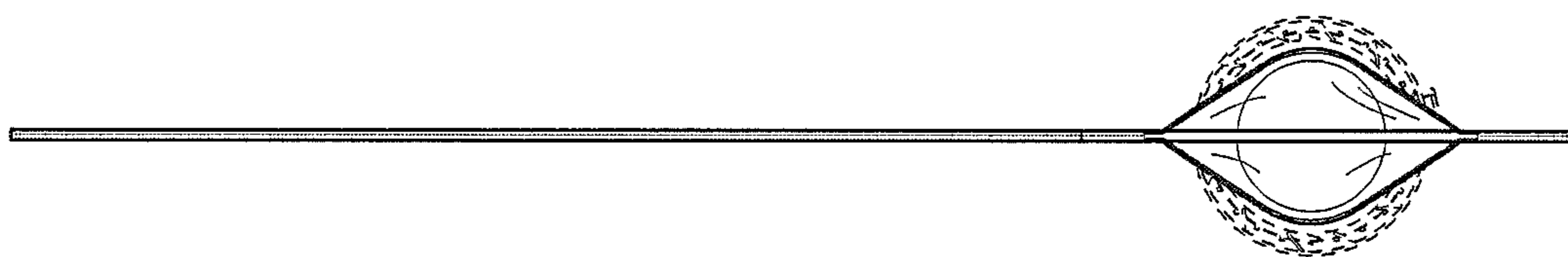


FIG. 6



FIG. 7

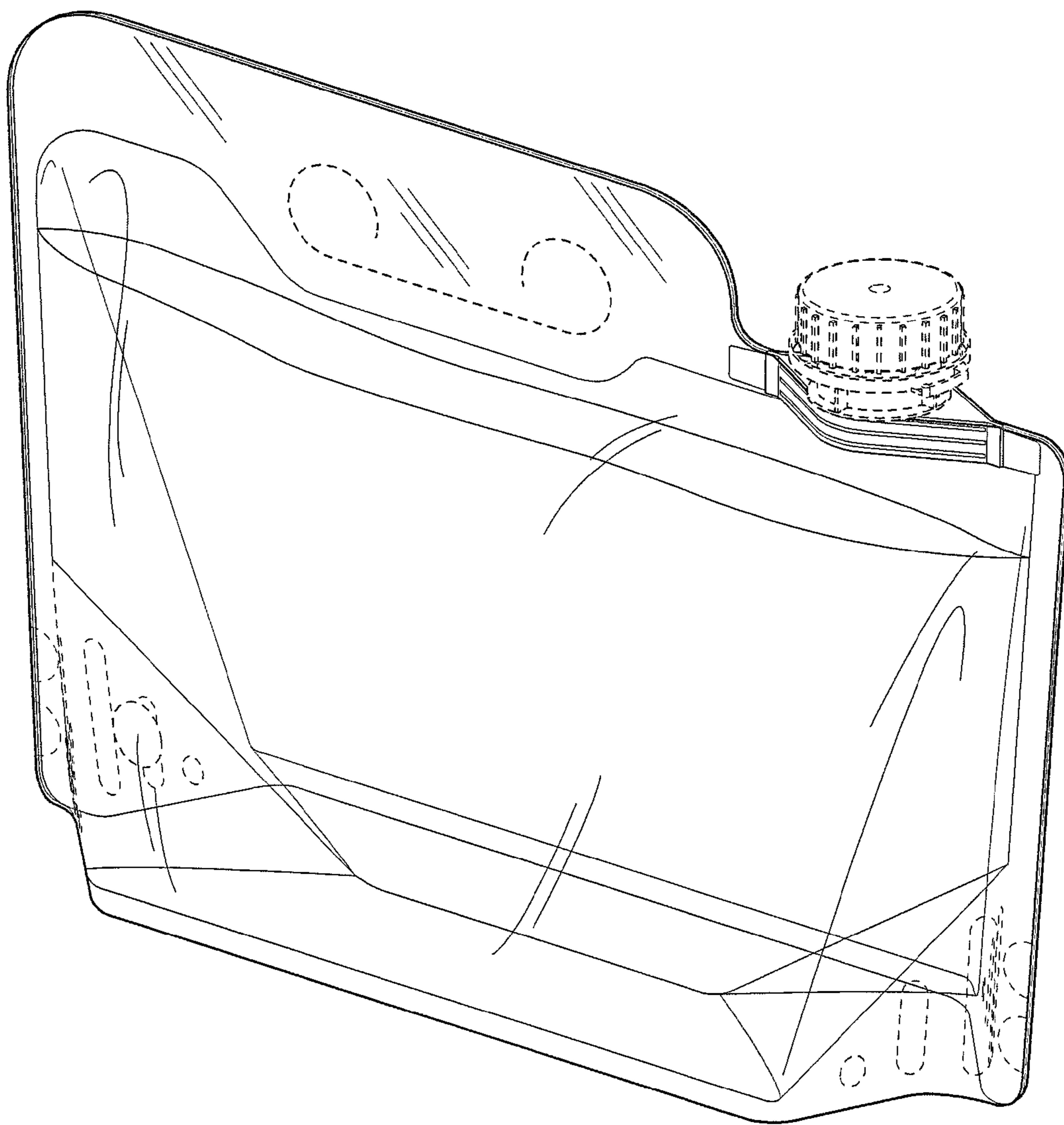


FIG. 8