



US00D702129S

(12) **United States Design Patent**  
**Shaw**

(10) **Patent No.:** **US D702,129 S**

(45) **Date of Patent:** **\*\* Apr. 8, 2014**

(54) **BOTTLE**

(71) Applicant: **Proximo Spirits, Inc.**, Jersey City, NJ  
(US)

(72) Inventor: **Kevin Shaw**, New York, NY (US)

(73) Assignee: **Proximo Spirits, Inc.**, Jersey City, NJ  
(US)

(\*\*) Term: **14 Years**

(21) Appl. No.: **29/439,780**

(22) Filed: **Dec. 14, 2012**

(51) **LOC (10) Cl.** ..... **09-01**

(52) **U.S. Cl.**  
USPC ..... **D9/545**; D9/550; D9/556

(58) **Field of Classification Search**  
USPC ..... D9/500, 502-505, 516, 544-545, 549,  
D9/558, 682, 686, 688-691, 546, 550, 556,  
D9/569, 692; D7/598; 215/379, 382;  
220/660, 662, 669-673, 675  
See application file for complete search history.

(56) **References Cited**

**U.S. PATENT DOCUMENTS**

D27,381 S *	7/1897	Pendleton, Jr.	.....	D9/556
D61,131 S *	6/1922	Carmichael	.....	D9/556
D62,785 S *	7/1923	Marble	.....	D9/556

D64,739 S *	5/1924	Fauman	.....	D9/550
D73,530 S *	9/1927	Lyons	.....	D9/554
D81,202 S *	5/1930	Peterson	.....	D9/550
D268,395 S *	3/1983	Humphries	.....	D9/503
D509,749 S *	9/2005	Shun	.....	D9/556
D585,753 S *	2/2009	Boukobza	.....	D9/552
D619,472 S *	7/2010	Papiernik	.....	D9/556

\* cited by examiner

*Primary Examiner* — Ian Simmons

*Assistant Examiner* — Dana L Meyrow

(74) *Attorney, Agent, or Firm* — Abelman, Frayne & Schwab

(57) **CLAIM**

The ornamental design for an bottle, as shown and described.

**DESCRIPTION**

FIG. 1 is a front view showing my bottle design, the rear view being a mirror image thereof;

FIG. 2 is a top plan view thereof shown at an enlarged scale;

FIG. 3 is a bottom plan view thereof; and,

FIG. 4 is a cross-section view taken at the lines 4-4 of FIG. 1, shown at an enlarged scale.

The broken lines in the drawings illustrate the portions of the design that form no part of the claim.

**1 Claim, 3 Drawing Sheets**

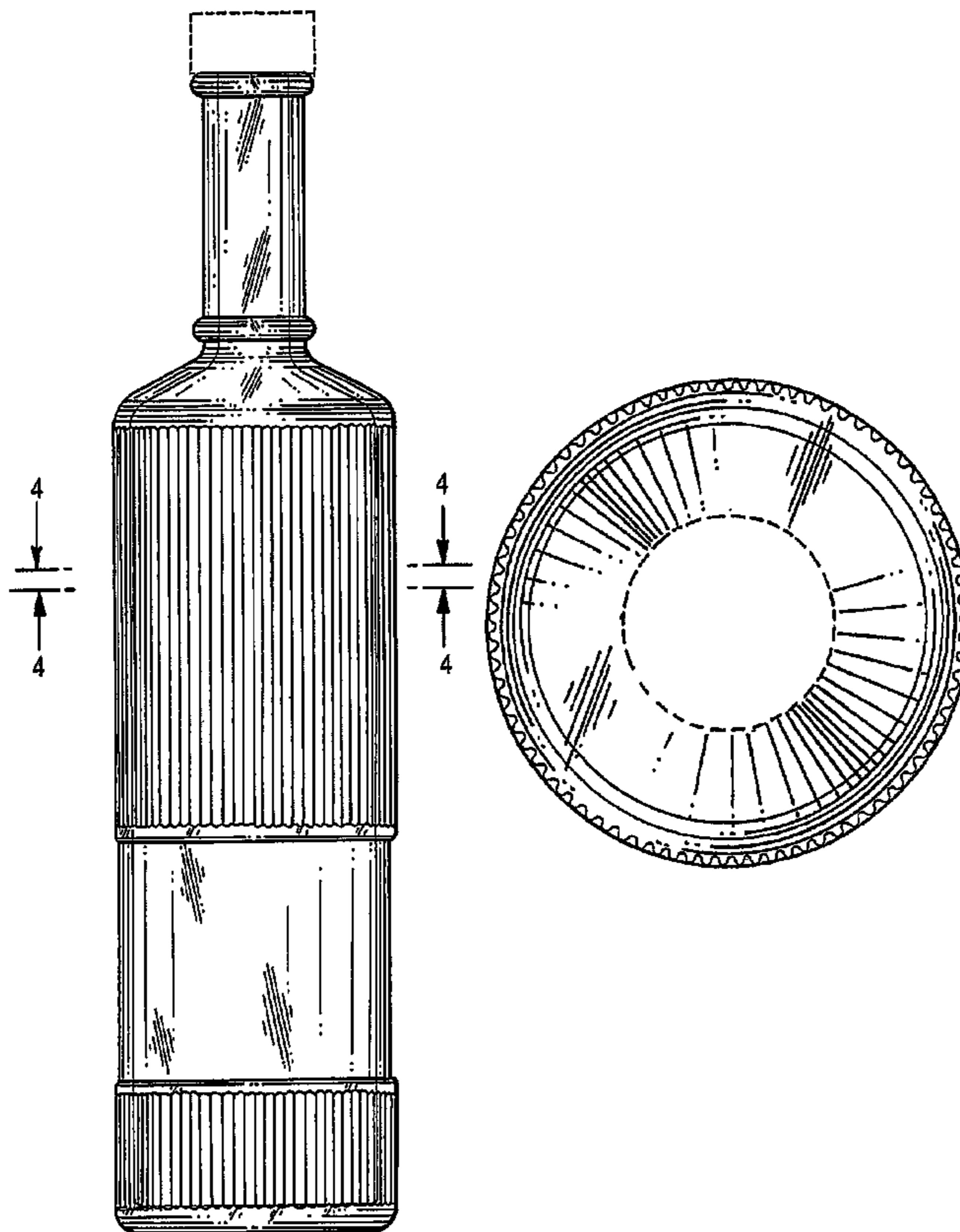


FIG. 1

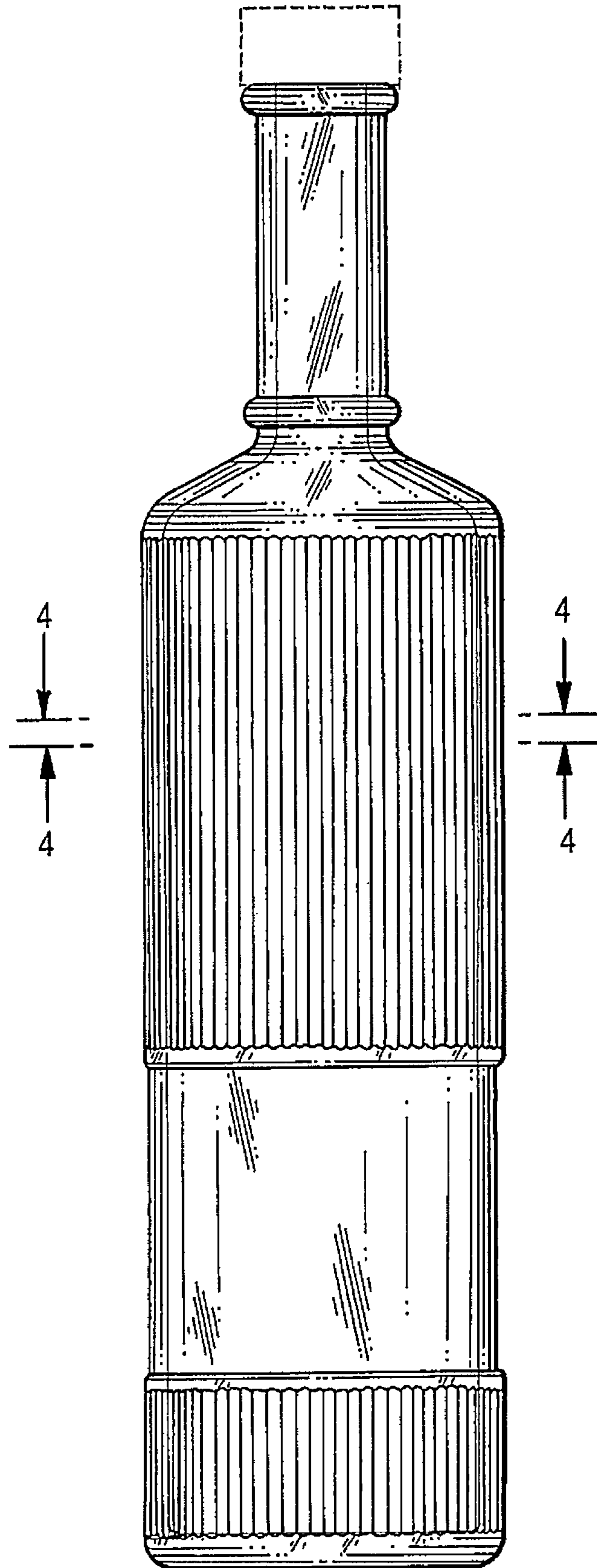


FIG. 2

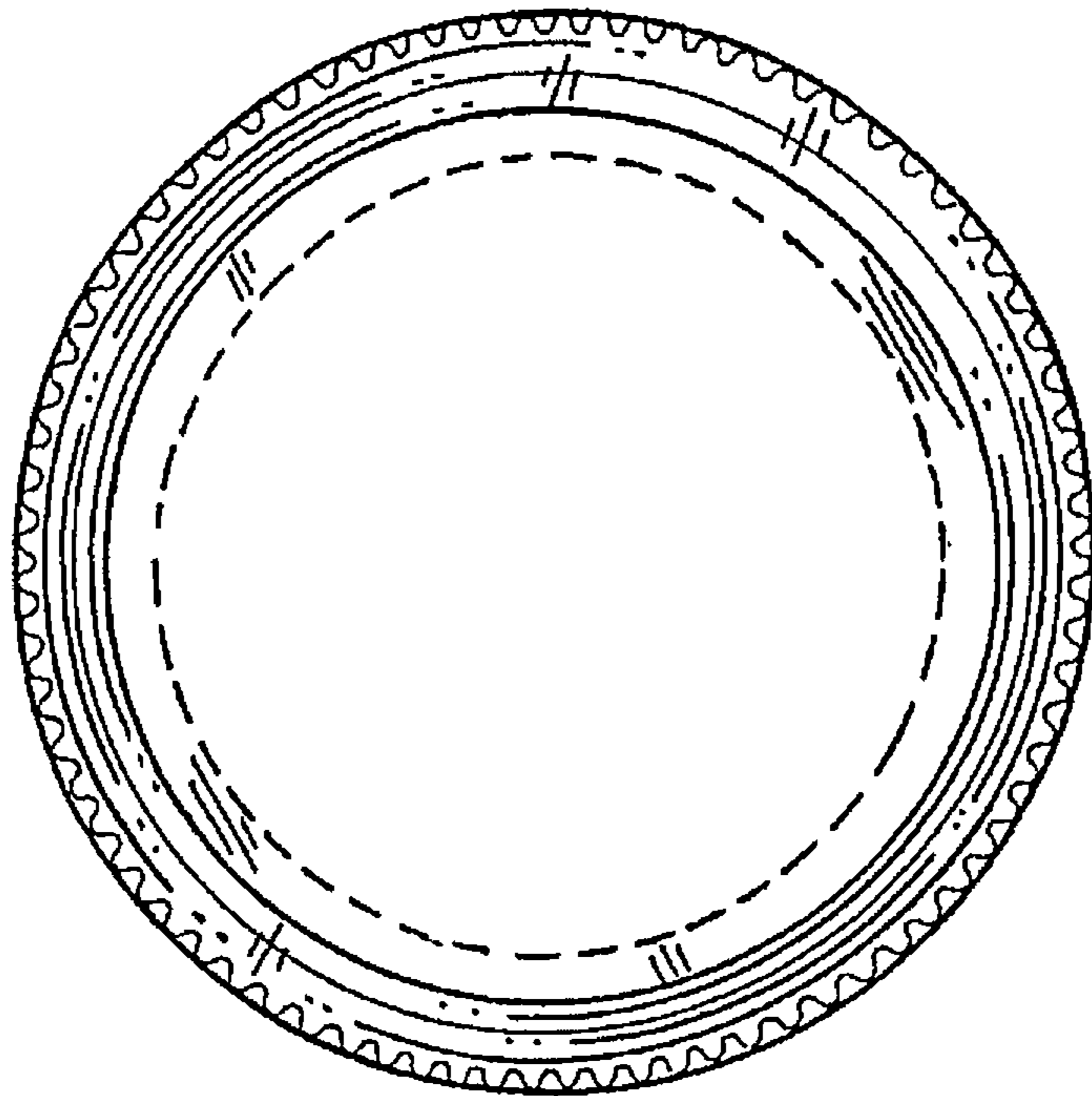
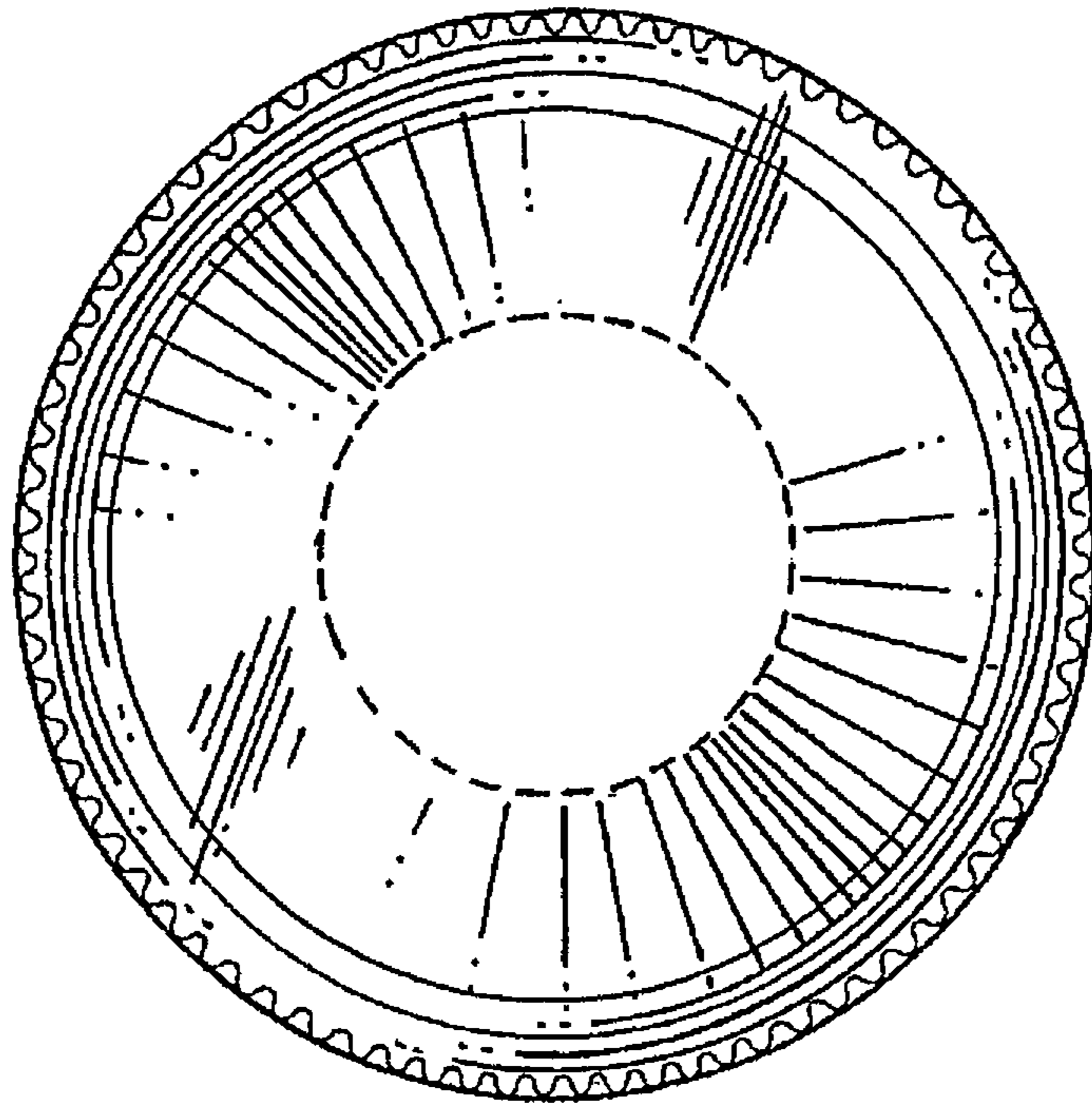


FIG. 3

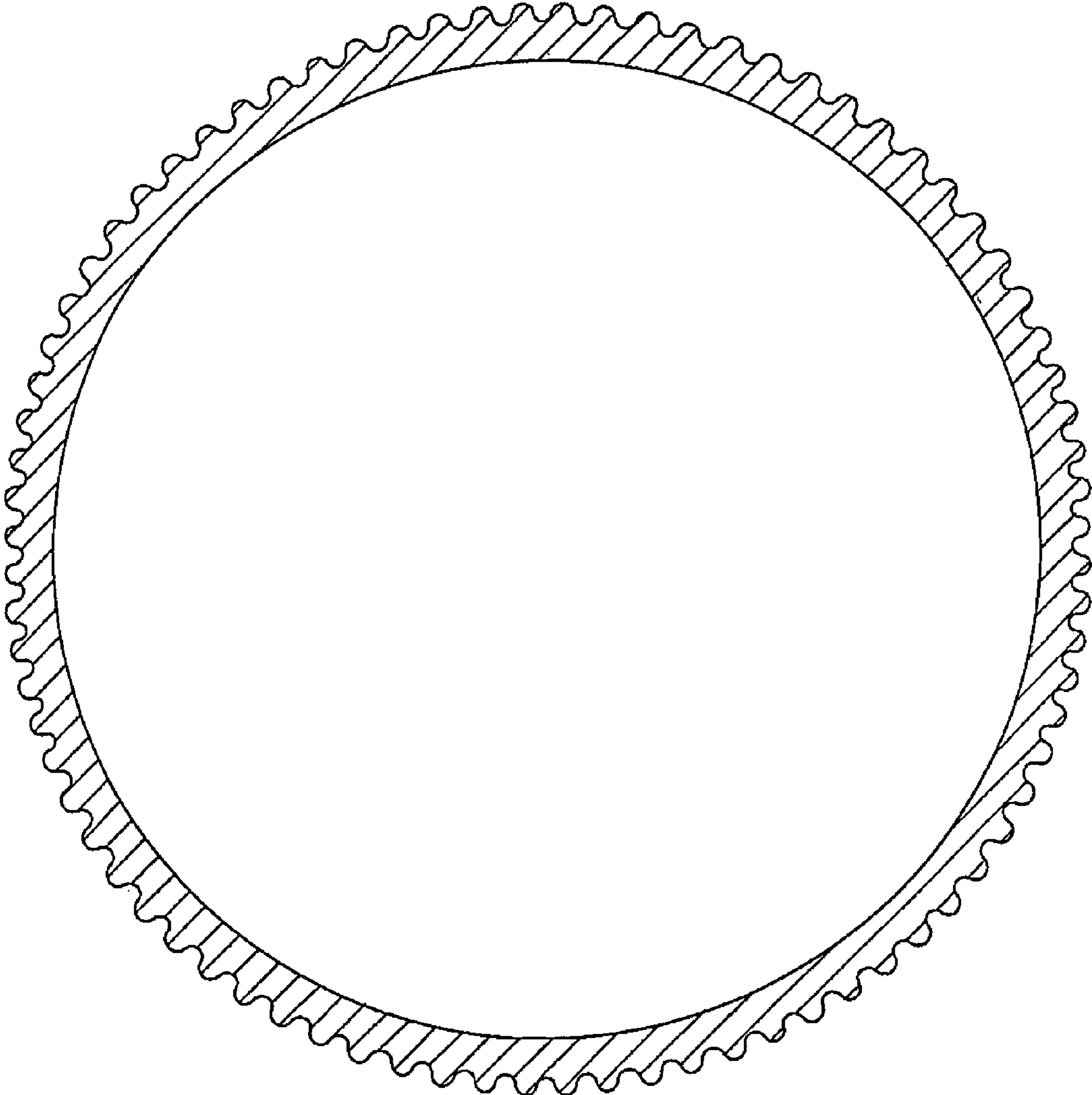


FIG. 4