



US00D702128S

(12) **United States Design Patent**
Ware et al.

(10) **Patent No.:** **US D702,128 S**
(45) **Date of Patent:** **** Apr. 8, 2014**

(54) **PACKAGING**

(75) Inventors: **Don Ware**, Woodbury, MN (US); **Greg Nelson**, Minneapolis, MN (US)

(73) Assignee: **Advanced Technology Materials, Inc.**, Danbury, CT (US)

(**) Term: **14 Years**

(21) Appl. No.: **29/418,169**

(22) Filed: **Apr. 12, 2012**

(51) **LOC (10) Cl.** **09-01**

(52) **U.S. Cl.**
USPC **D9/532**

(58) **Field of Classification Search**

USPC D9/500, 502, 503, 516, 517, 519, 523, D9/528, 530, 531, 532, 549, 550, 558, 569, D9/719; 215/40, 43-49, 398, 396; 222/488, 489, 544, 566-568, 570; 220/592.16, 592.17, 592.18, 752, 760, 220/769, 767, 768; D7/312, 313, 300, 319, D7/321

See application file for complete search history.

(56) **References Cited**

U.S. PATENT DOCUMENTS

D39,921 S * 4/1909 Boldt D9/500
1,858,342 A * 5/1932 Rollman 215/302
2,300,745 A * 11/1942 Jenkins 215/396
2,876,818 A * 3/1959 Raff et al. 215/12.2
3,307,752 A * 3/1967 Anderson 222/465.1
D256,992 S * 9/1980 Kretz D9/558
4,231,605 A * 11/1980 Newman 294/87.2
4,345,701 A * 8/1982 Walter 222/569
5,102,010 A 4/1992 Osgar et al.
5,693,017 A 12/1997 Spears et al.
5,875,921 A 3/1999 Osgar et al.
D416,800 S * 11/1999 Herrmann D9/500

5,988,422 A 11/1999 Vallot
6,015,068 A 1/2000 Osgar et al.
6,196,403 B1 * 3/2001 Yamaguchi 215/396
6,206,240 B1 3/2001 Osgar et al.
D454,497 S * 3/2002 Darr et al. D9/500
6,453,925 B1 9/2002 Kamo
6,460,730 B1 10/2002 Liedtke
7,805,813 B1 * 10/2010 Bunyard 16/425
2004/0149348 A1 8/2004 Wertenberger
2004/0166264 A1 * 8/2004 Nahill et al. 428/35.7
2009/0020176 A1 1/2009 Hasegawa et al.
2011/0187028 A1 8/2011 Menning et al.
2012/0267388 A1 10/2012 Tom et al.

FOREIGN PATENT DOCUMENTS

EP 1097899 5/2001
EP 2388233 11/2011
WO 2005100203 10/2005

* cited by examiner

Primary Examiner — Derrick Holland

Assistant Examiner — Lauren Calve

(74) *Attorney, Agent, or Firm* — Winthrop & Weinstine, P.A.

(57) **CLAIM**

The ornamental design for a packaging, as shown and described.

DESCRIPTION

FIG. 1 is an isometric view of a packaging according to the present disclosure;

FIG. 2 is a front view thereof;

FIG. 3 is a rear view thereof;

FIG. 4 is a right side view thereof;

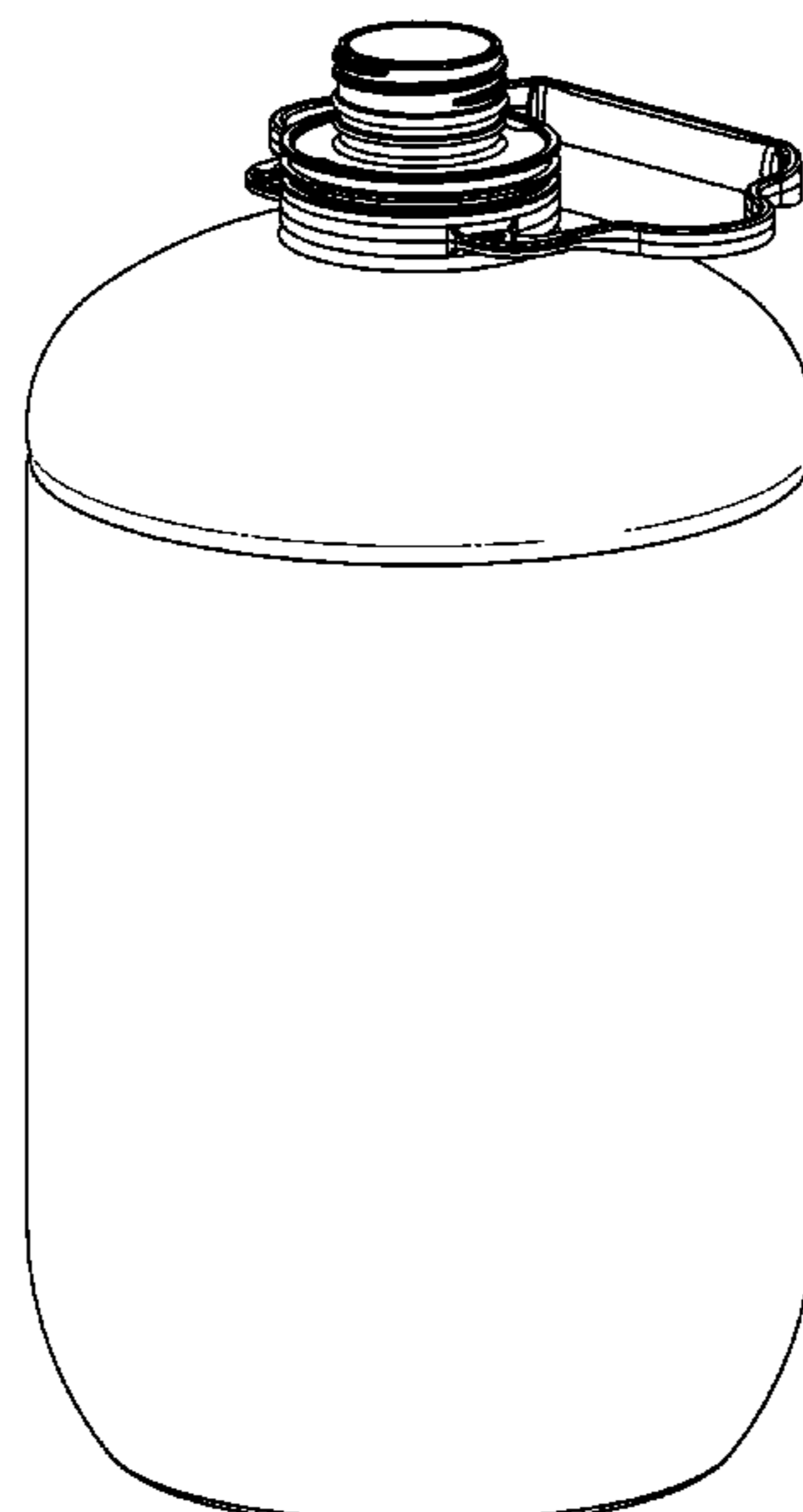
FIG. 5 is a left side view thereof;

FIG. 6 is a top view thereof; and,

FIG. 7 is a bottom view thereof.

The broken lines shown in FIGS. 6 and 7 represent unclaimed subject matter and form no part of the claimed design.

1 Claim, 7 Drawing Sheets



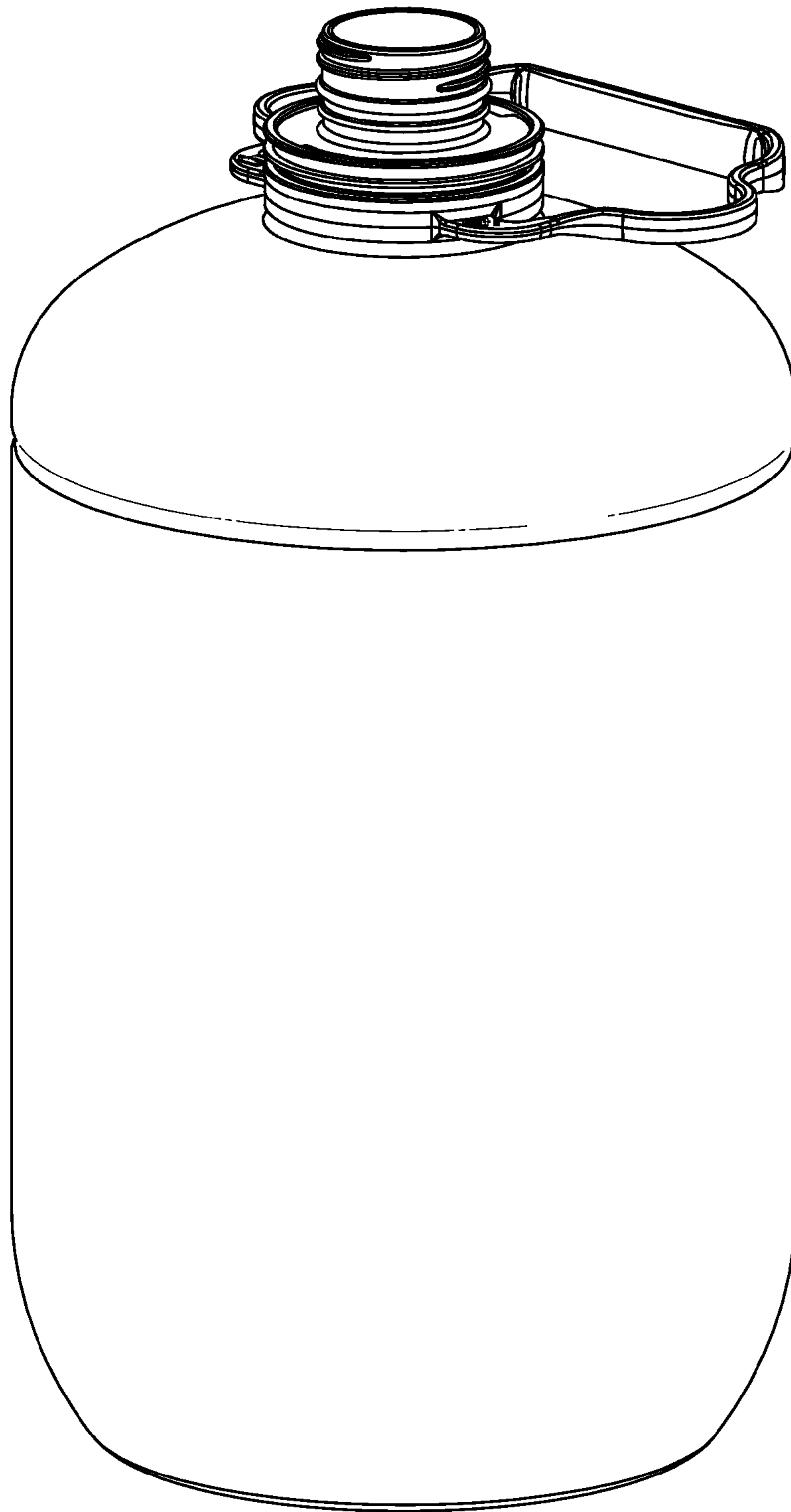


FIG. 1

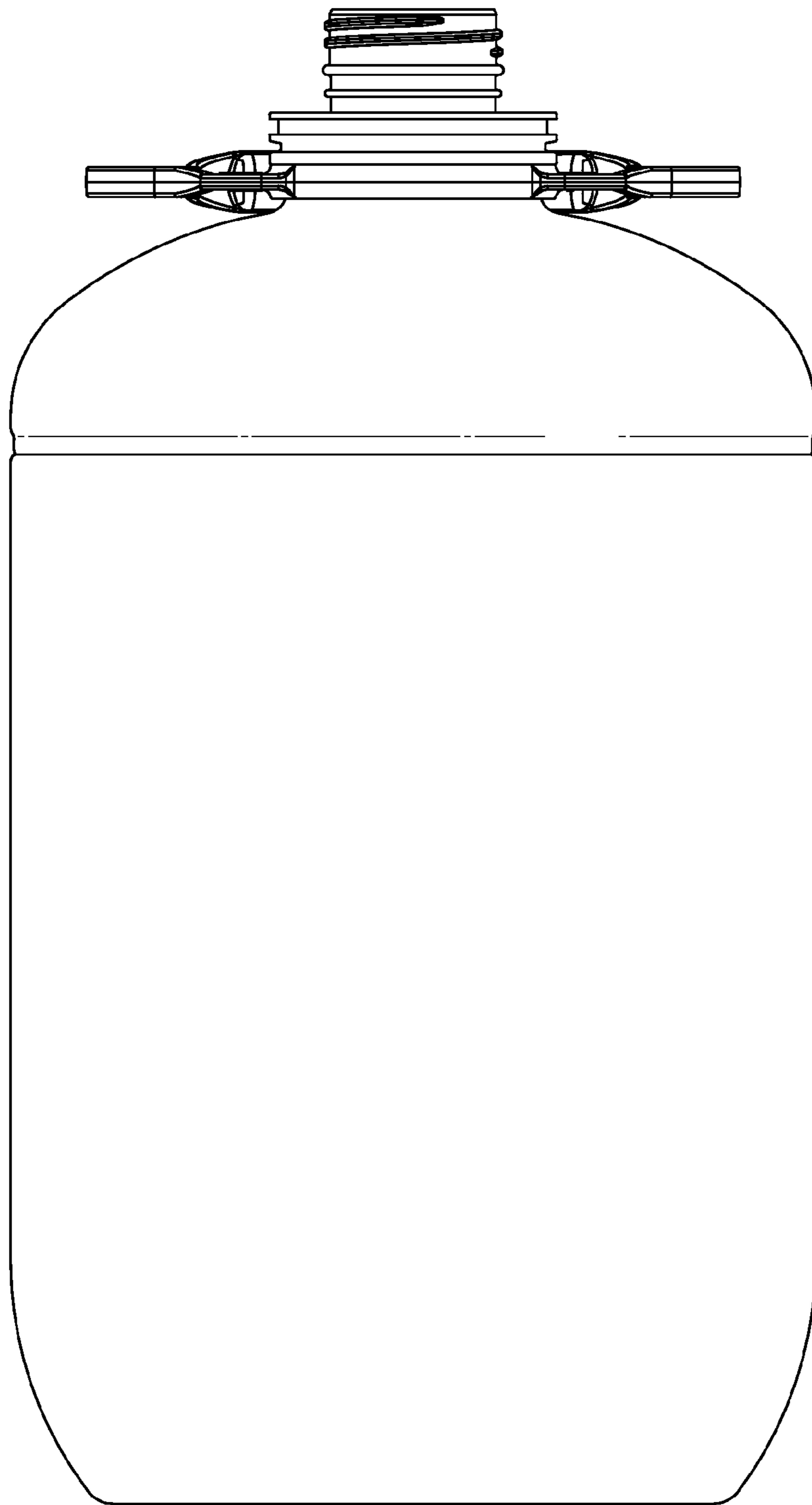


FIG. 2

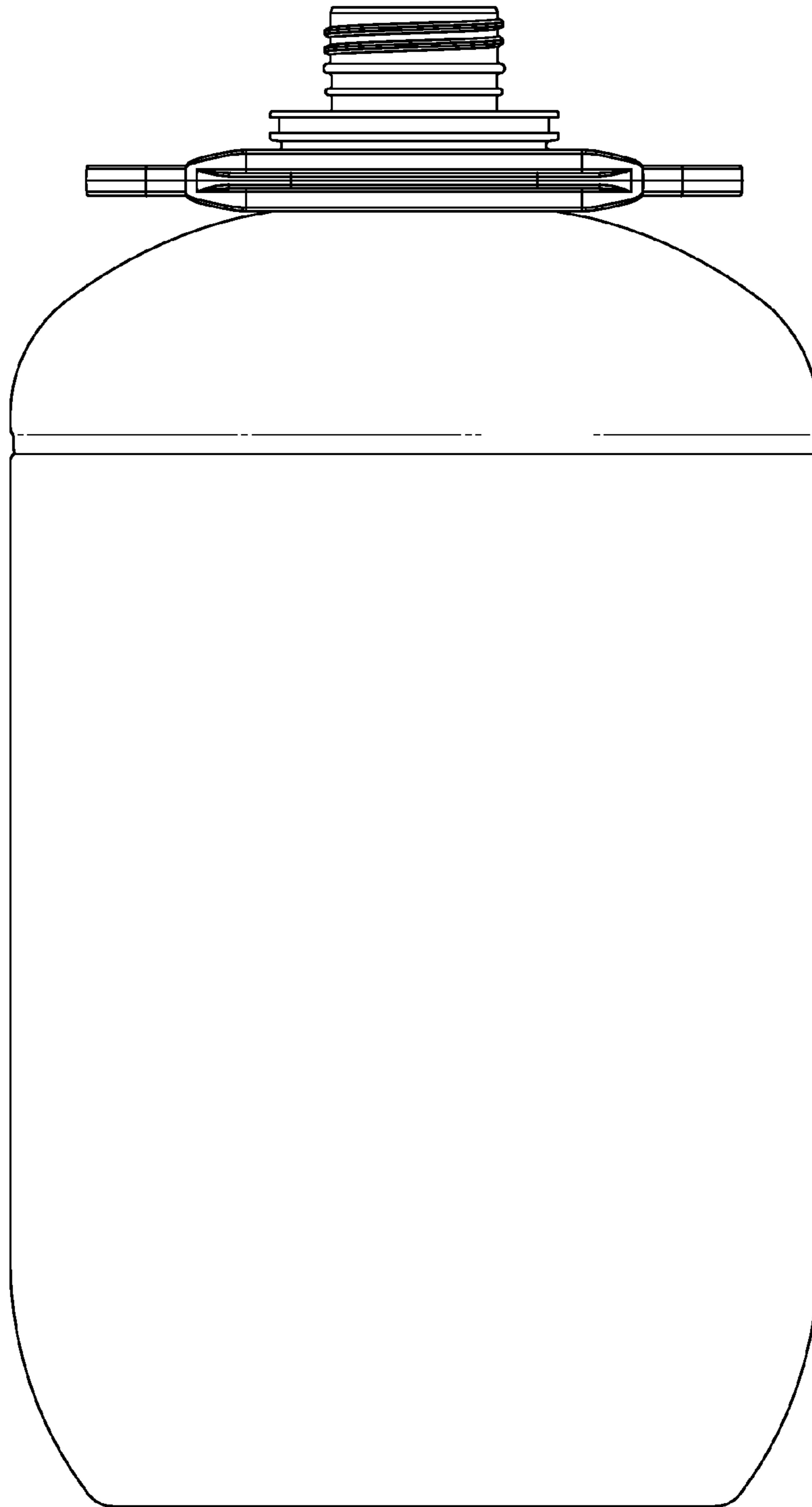


FIG. 3

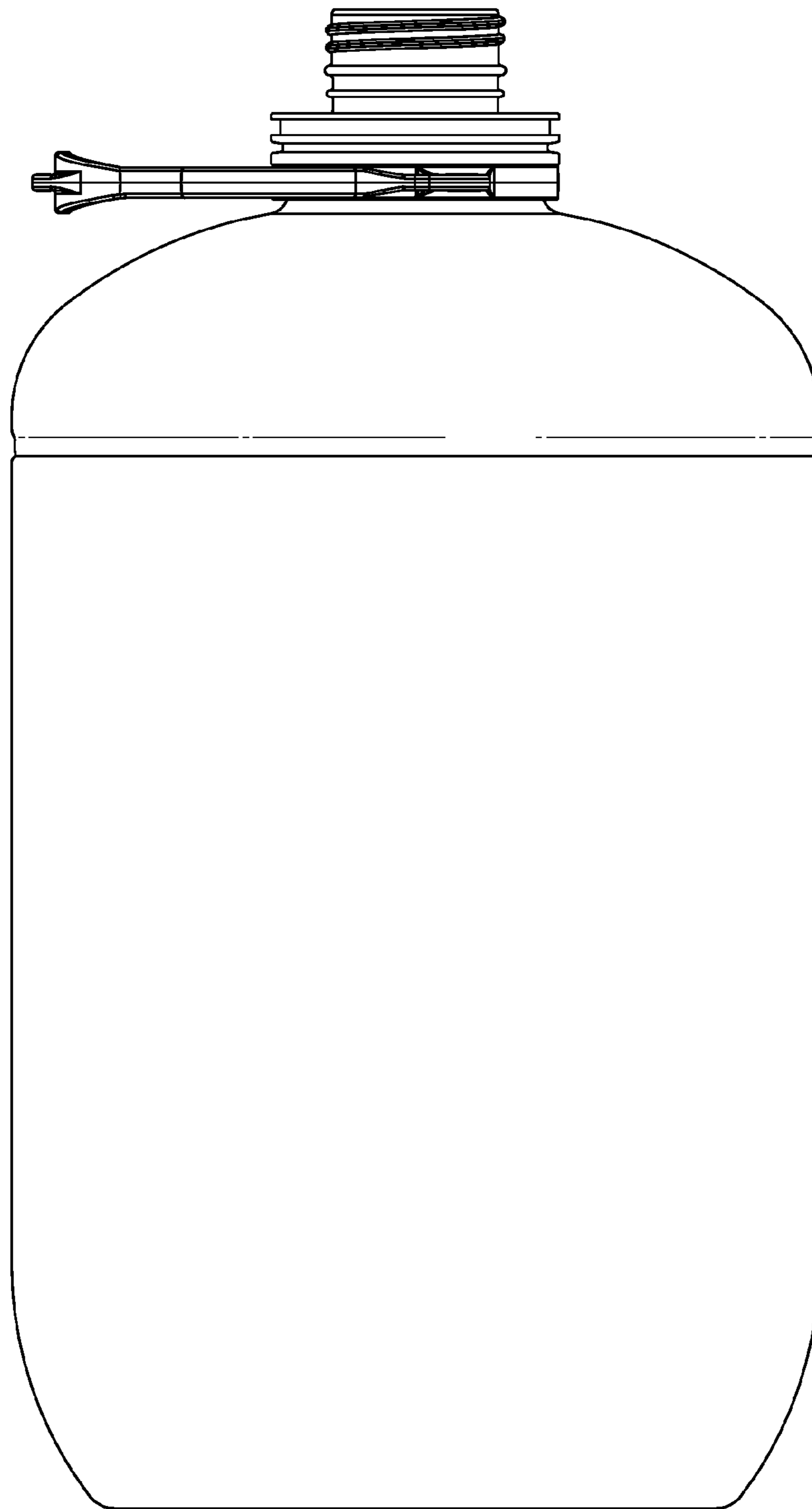


FIG. 4

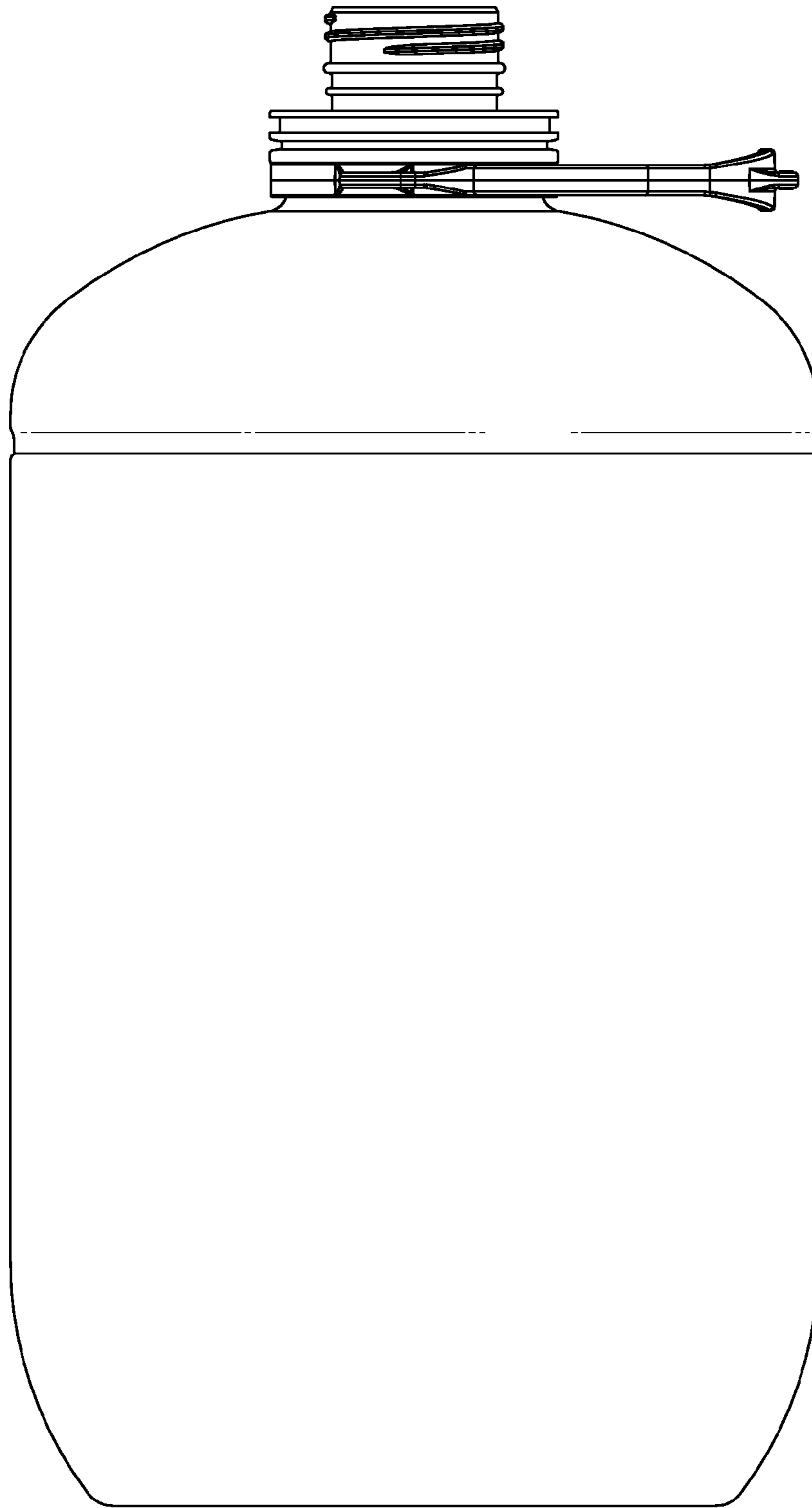


FIG. 5

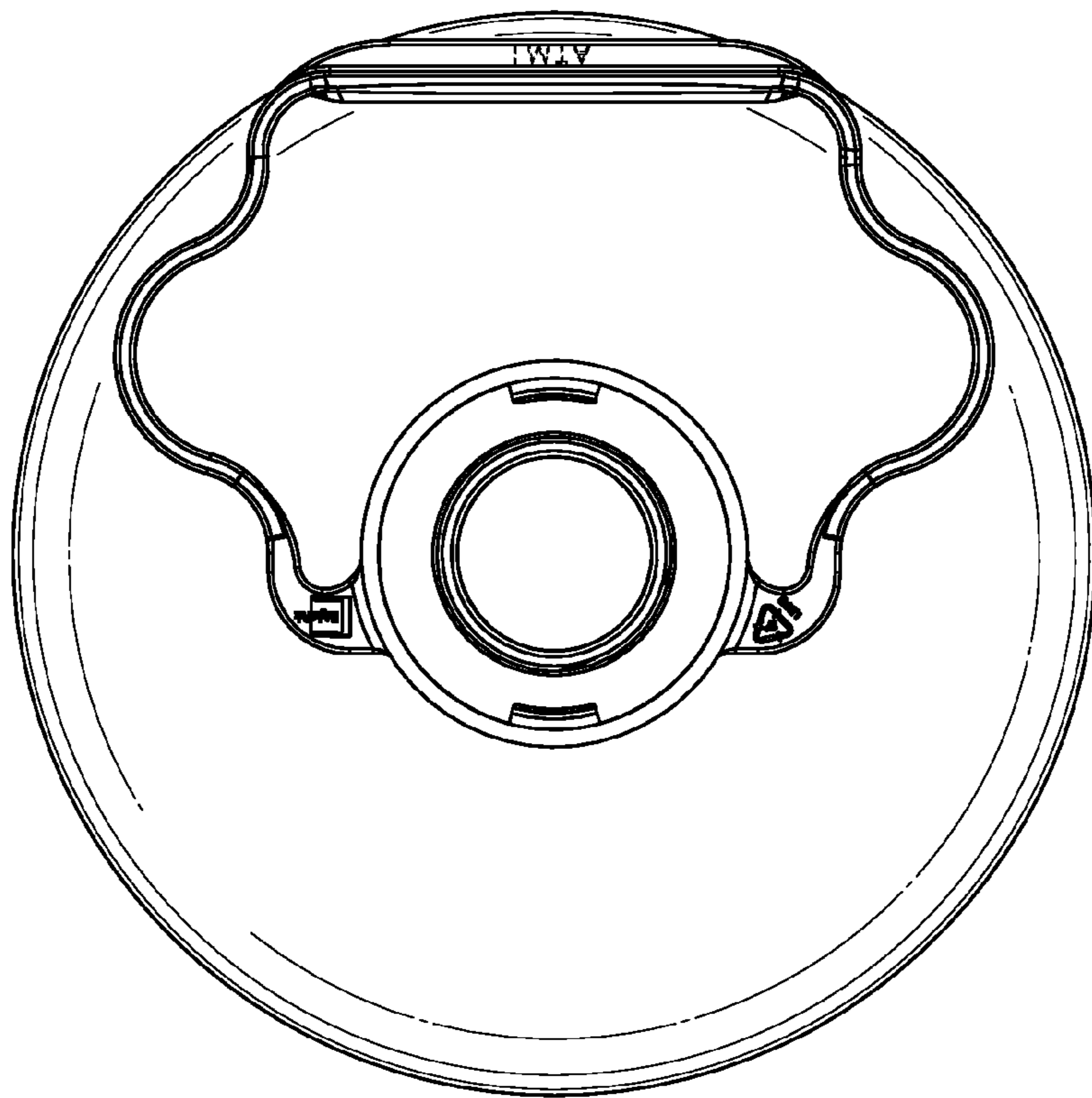


FIG. 6

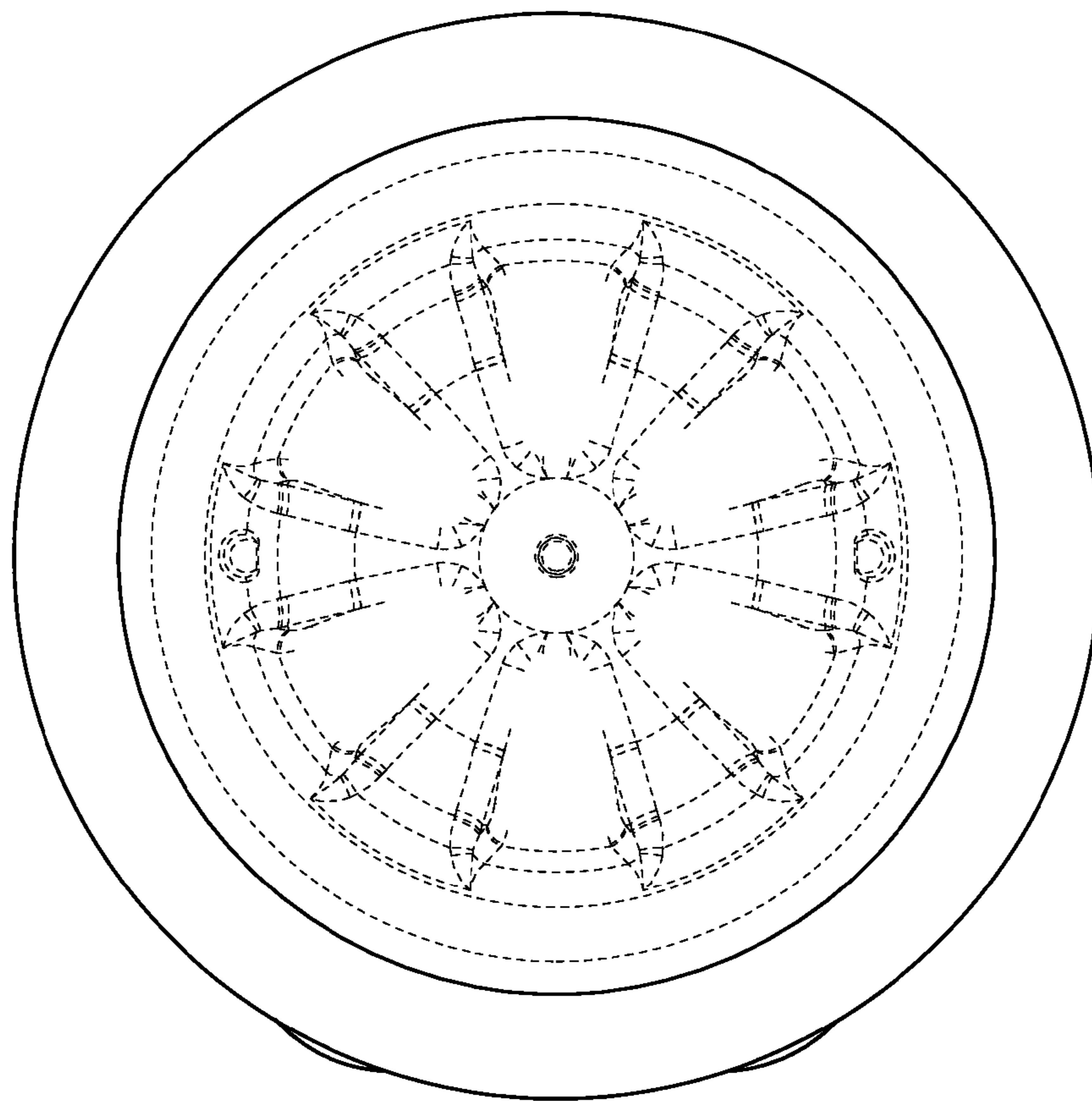


FIG. 7