



US00D702125S

(12) **United States Design Patent**  
**Marchetti**

(10) **Patent No.:** **US D702,125 S**

(45) **Date of Patent:** **\*\* Apr. 8, 2014**

(54) **OPTICAL DRIVE CUSHION MADE FROM BIODEGRADABLE, RECYCLED PAPER PULP**

(76) **Inventor:** **Joseph L. Marchetti**, Lake in the Hills, IL (US)

(\*\*) **Term:** **14 Years**

(21) **Appl. No.:** **29/419,277**

(22) **Filed:** **Apr. 26, 2012**

(51) **LOC (10) Cl.** ..... **09-99**

(52) **U.S. Cl.**  
**USPC** ..... **D9/456**

(58) **Field of Classification Search**  
**USPC** ..... D9/456, 425, 434-435, 443, 499, 755, D9/757, 759, 760-762; D3/272, 273, 291, D3/313; 206/230, 234, 423, 427, 453, 507, 206/521.1, 541, 557, 561, 586, 591, 593, 206/594; 248/311.2; 426/80, 119, 120; 211/14; 217/26.5; 229/120.02, 120.12; 220/23.4; D7/586, 629; D11/144; 108/53.3

See application file for complete search history.

(56) **References Cited**

**U.S. PATENT DOCUMENTS**

D183,777	S	*	10/1958	Weiss	.....	D3/280
3,702,100	A	*	11/1972	Wharton	.....	108/53.3
3,709,160	A	*	1/1973	Howard et al.	.....	108/53.3
3,762,342	A	*	10/1973	Lawlor	.....	108/53.3
4,029,023	A	*	6/1977	Rosewicz et al.	.....	108/57.28
D248,015	S	*	5/1978	Smith	.....	D3/294
D276,025	S	*	10/1984	Hexamer	.....	D9/425
4,742,781	A	*	5/1988	Shuert	.....	108/53.3
4,759,446	A	*	7/1988	Dobashi et al.	.....	206/586
4,962,855	A	*	10/1990	Holmquist	.....	206/423
D322,707	S	*	12/1991	Iverson	.....	D3/313
D323,416	S	*	1/1992	Iverson	.....	D3/313
5,127,189	A	*	7/1992	Holmberg	.....	47/87
5,183,180	A	*	2/1993	Hawkins et al.	.....	294/68.1

5,360,108	A	*	11/1994	Alagia	.....	206/320
5,509,633	A	*	4/1996	Ruster et al.	.....	248/311.2
5,515,976	A	*	5/1996	Moren et al.	.....	206/586
5,532,044	A	*	7/1996	Jen	.....	428/167
5,543,104	A	*	8/1996	Stratford et al.	.....	264/328.8
D376,259	S	*	12/1996	Dickinson et al.	.....	D3/273
5,606,921	A	*	3/1997	Elder et al.	.....	108/53.3

(Continued)

**OTHER PUBLICATIONS**

Pacific Pulp. (Hard Drive Pack drawing). Pacific Pulp Designs[online] p. 2. and (Hard Drive Pack drawing) Multi-Cavity Tray drawing). Pacific Pulp Designs[online] p. 3. Posted Jul. 21, 2011[retrieved on Nov. 29, 2013]. Retrieved from Internet: <URL <http://www.pacificpulp.com/design.html>>.\*

*Primary Examiner* — Eric Goodman

*Assistant Examiner* — Marie D Fast Horse

(74) *Attorney, Agent, or Firm* — Scherrer Patent & Trademark Law P.C.; Stephen T. Scherrer

(57) **CLAIM**

The ornamental design for an optical drive cushion made of biodegradable, recycled paper pulp, as shown and described.

**DESCRIPTION**

FIG. 1 is an elevated isometric view of an optical drive cushion made of biodegradable, recycled paper pulp showing my new design;

FIG. 2 is a bottom isometric view thereof;

FIG. 3 is a top isometric view thereof;

FIG. 4 is a right side or left side view thereof;

FIG. 5 is a top view thereof;

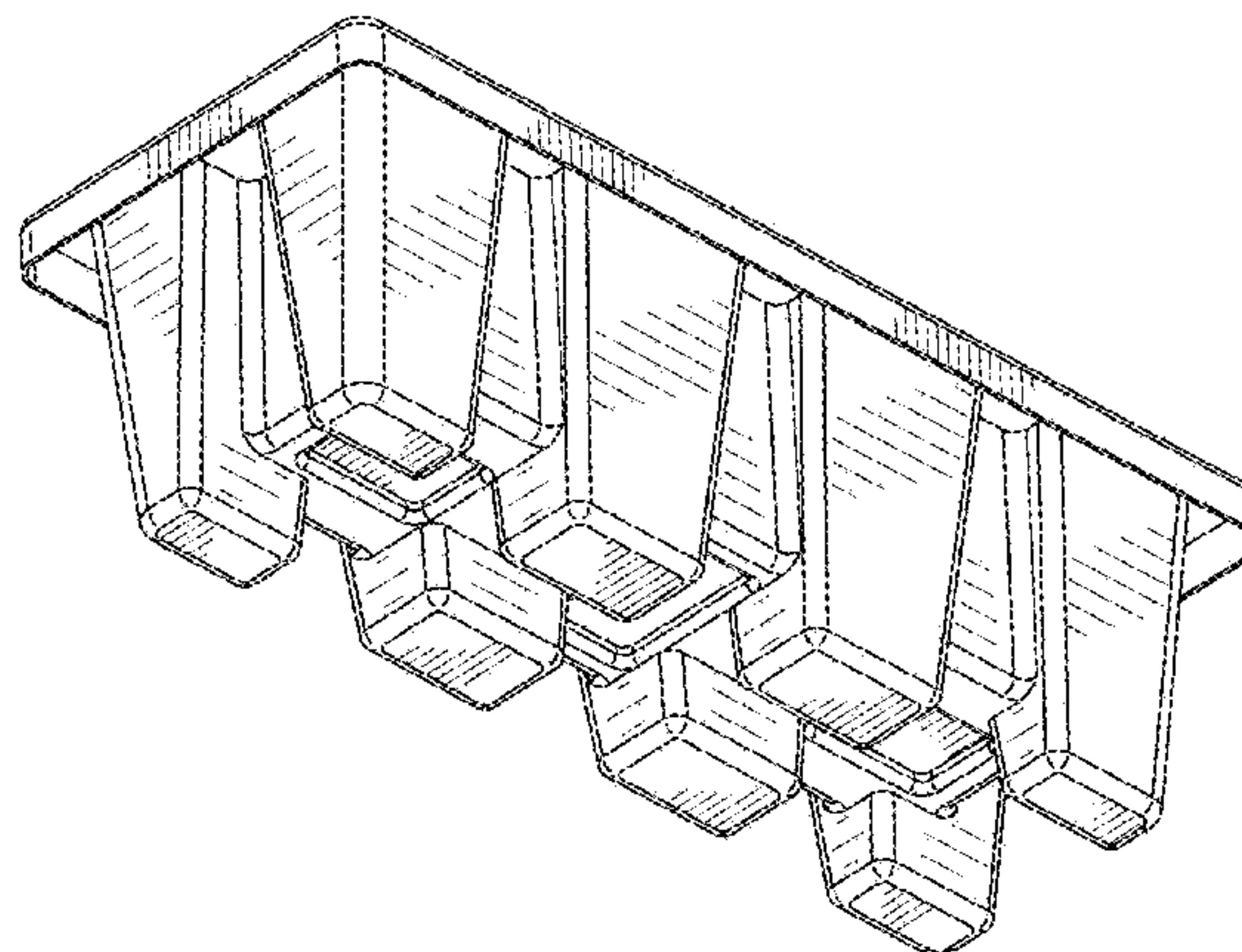
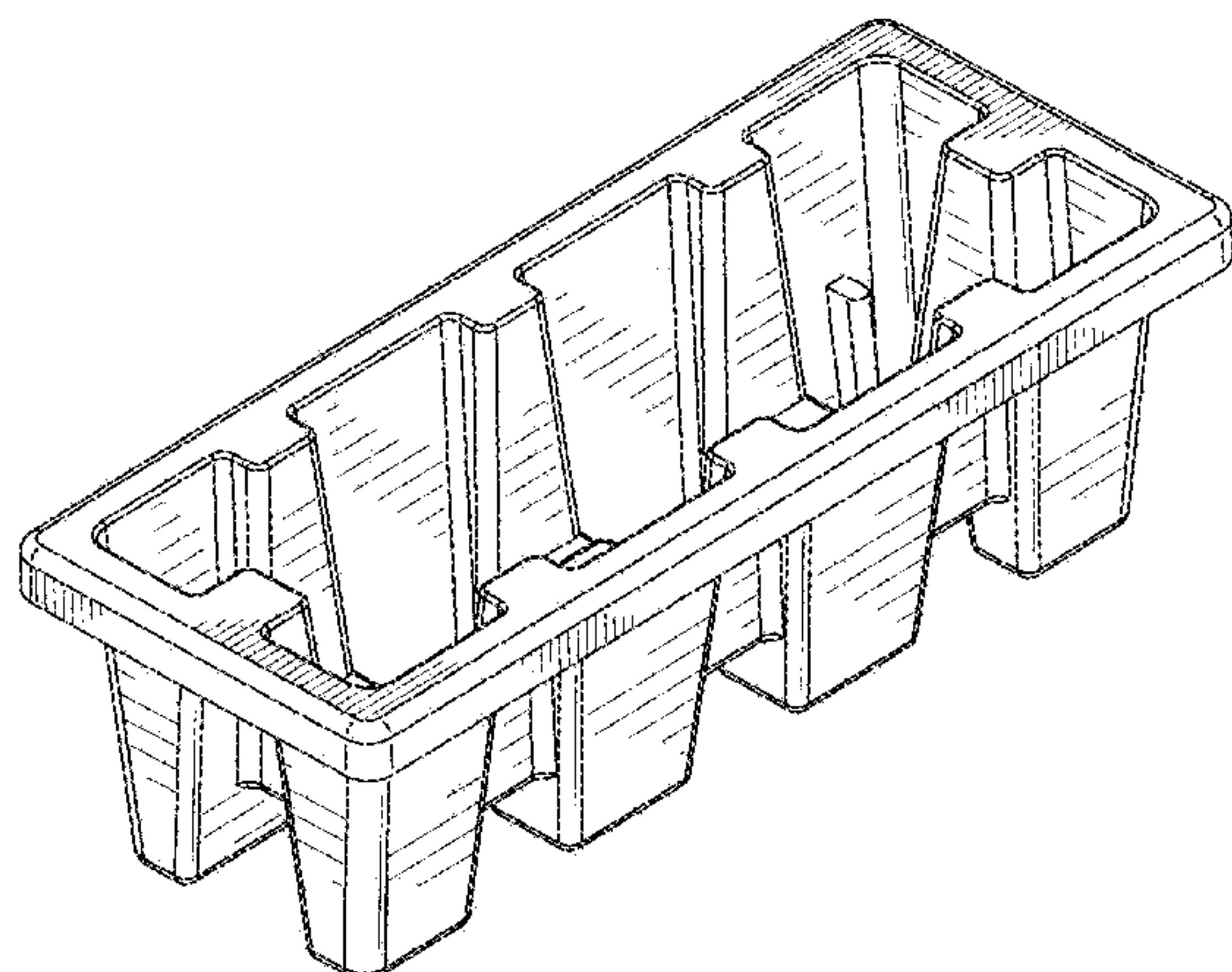
FIG. 6 is a bottom view thereof;

FIG. 7 is a front or rear view thereof; and,

FIG. 8 is a front isometric view thereof with an optical drive and second optical drive cushion in phantom.

The broken lines in the FIG. 8 depict environmental subject matter only and form no part of the claimed design.

**1 Claim, 8 Drawing Sheets**



(56)

References Cited

U.S. PATENT DOCUMENTS

5,628,402	A *	5/1997	Dickie et al. ....	206/521	7,591,927	B2 *	9/2009	Kim et al. ....	162/218
5,678,692	A *	10/1997	Gratz .....	206/453	D606,306	S *	12/2009	Monte .....	D3/273
5,706,951	A *	1/1998	Oinuma et al. ....	206/710	D612,153	S *	3/2010	Liao .....	D3/304
5,715,940	A *	2/1998	Son .....	206/320	7,673,747	B2 *	3/2010	Yoda .....	206/320
5,755,331	A *	5/1998	Watson .....	206/586	D613,418	S *	4/2010	Ryan et al. ....	D24/229
5,816,409	A *	10/1998	Baker et al. ....	206/587	D627,645	S *	11/2010	Ma et al. ....	D9/456
5,976,588	A *	11/1999	Vincent .....	426/119	D627,648	S *	11/2010	He et al. ....	D9/456
6,105,765	A *	8/2000	Chu .....	206/320	D627,649	S *	11/2010	He et al. ....	D9/456
6,123,199	A *	9/2000	Madsen .....	206/586	D628,070	S *	11/2010	Ma et al. ....	D9/456
RE37,253	E *	7/2001	Moren et al. ....	206/586	D628,071	S *	11/2010	He et al. ....	D9/456
D492,195	S *	6/2004	Shabaz .....	D9/737	D642,484	S *	8/2011	Birchmeier et al. ....	D9/760
6,769,547	B2 *	8/2004	Yu .....	206/586	D642,937	S *	8/2011	Birchmeier et al. ....	D9/760
D495,491	S *	9/2004	Ramirez et al. ....	D3/304	D643,310	S *	8/2011	Birchmeier et al. ....	D9/760
6,820,743	B2 *	11/2004	Hurley et al. ....	206/427	D648,535	S *	11/2011	Reinhart et al. ....	D3/302
7,044,303	B2 *	5/2006	Van Der Werf .....	206/586	D648,635	S *	11/2011	Golota et al. ....	D9/737
D523,338	S *	6/2006	Hoge et al. ....	D9/456	8,047,370	B2 *	11/2011	Ma et al. ....	206/521
7,131,617	B2 *	11/2006	Bontrager et al. ....	248/345.1	8,047,371	B2 *	11/2011	Li et al. ....	206/521
7,328,800	B2 *	2/2008	Koike .....	206/521	D657,143	S *	4/2012	Jowett .....	D3/272
D601,040	S *	9/2009	Vovan et al. ....	D9/760	2001/0020595	A1 *	9/2001	Koike .....	206/521
7,584,852	B2 *	9/2009	O'Brien et al. ....	206/591	2004/0094448	A1 *	5/2004	Koike .....	206/521
					2007/0138047	A1 *	6/2007	Berglin .....	206/521
					2010/0251940	A1 *	10/2010	Jones et al. ....	108/53.3

\* cited by examiner



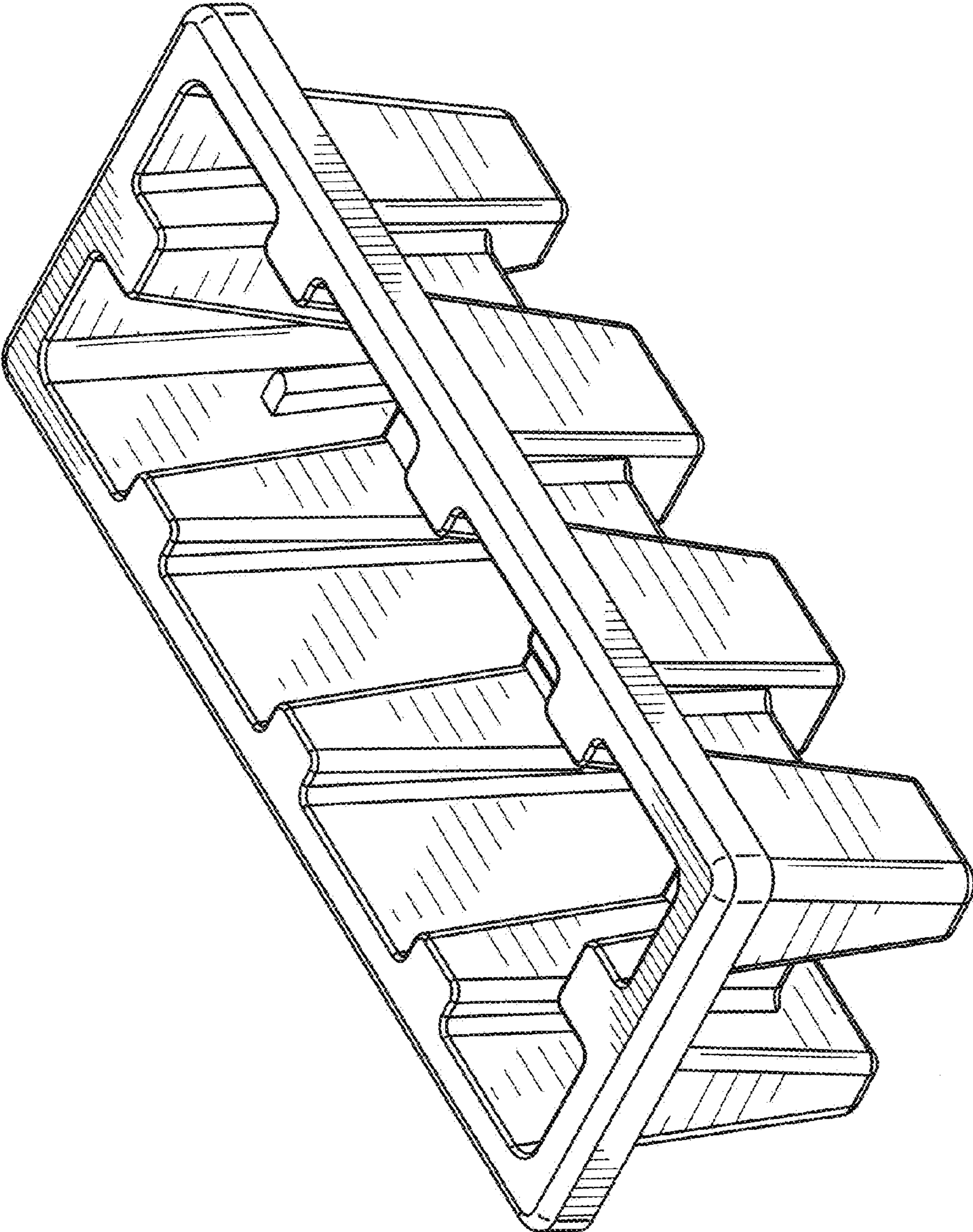


FIG. 1

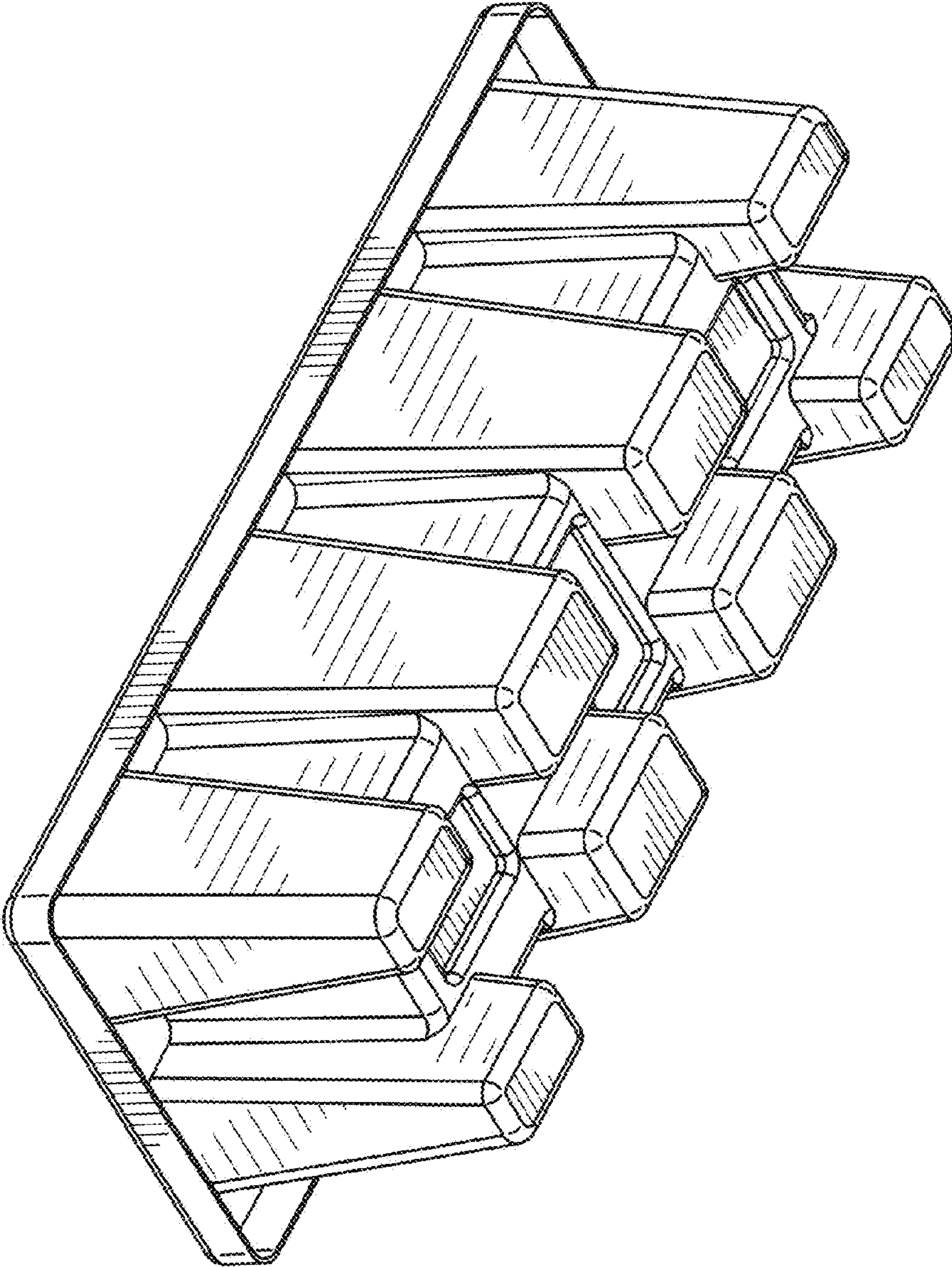


FIG. 2



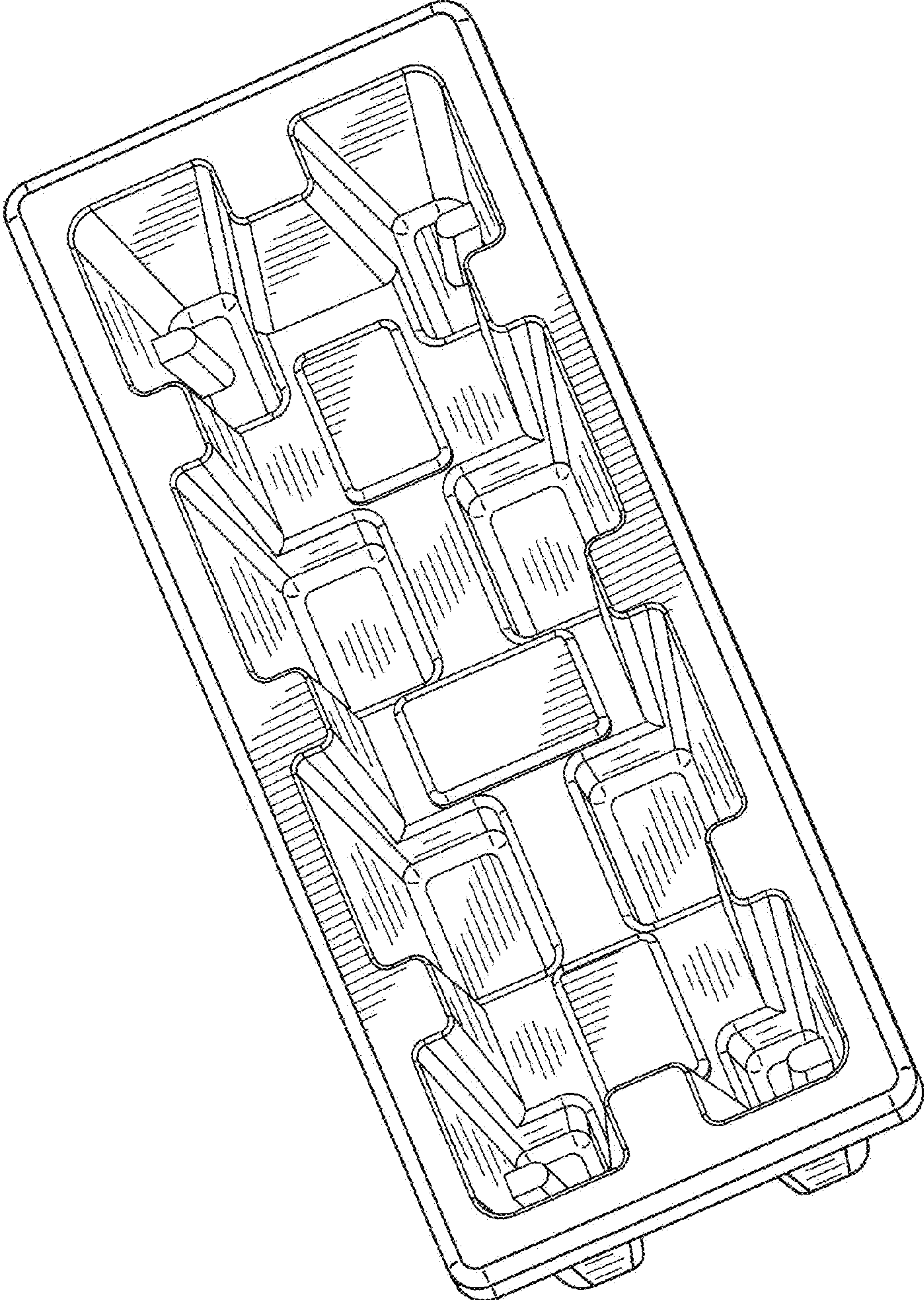


FIG. 3

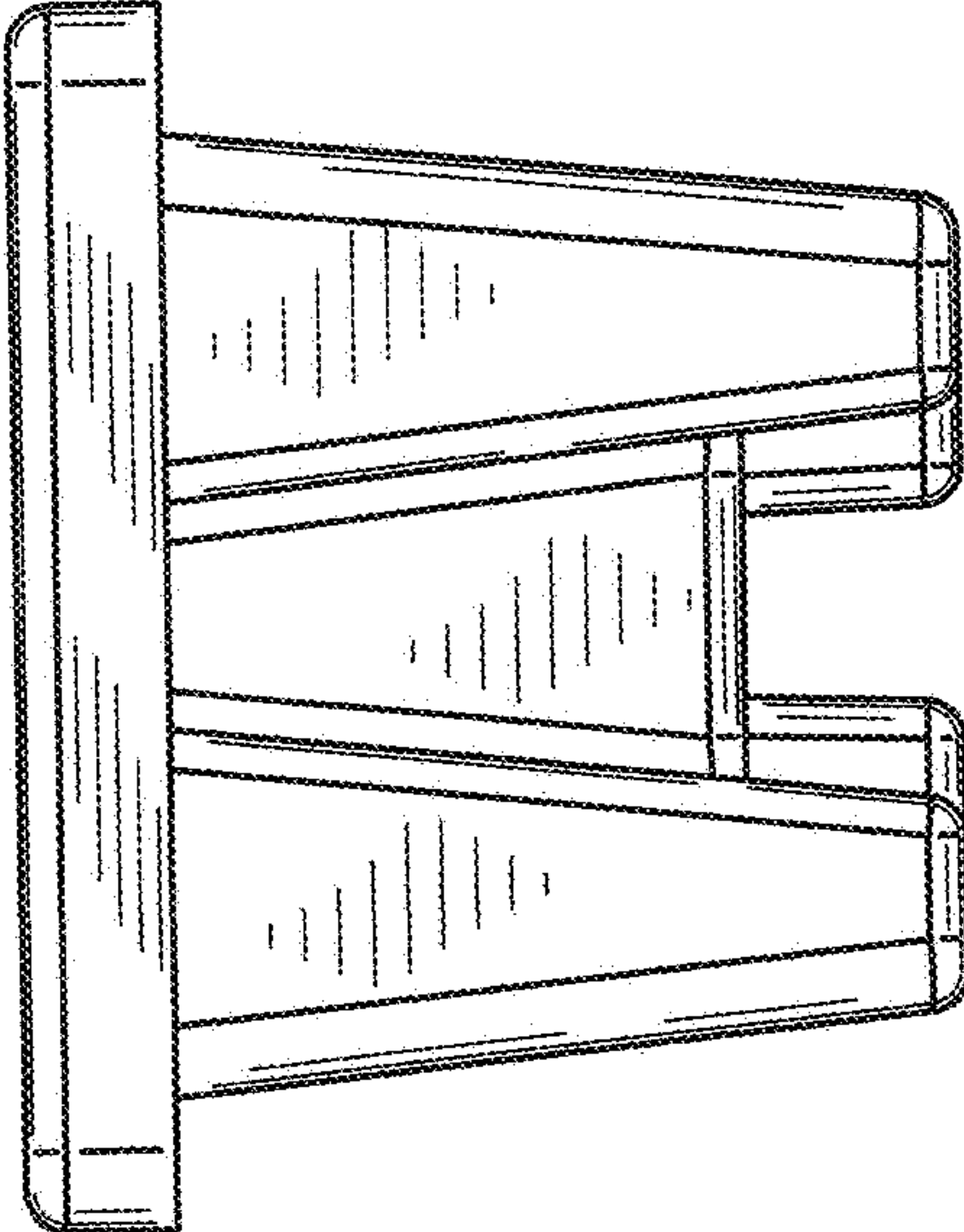


FIG. 4

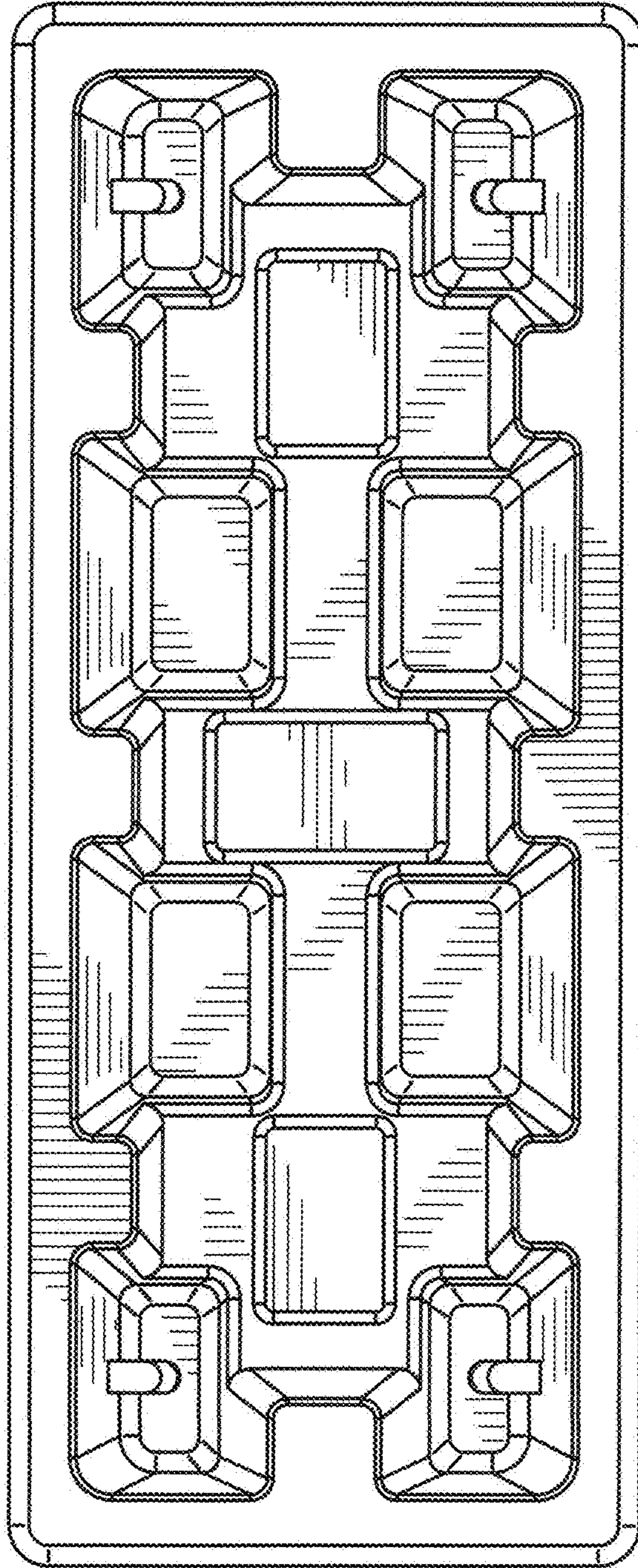


FIG. 5



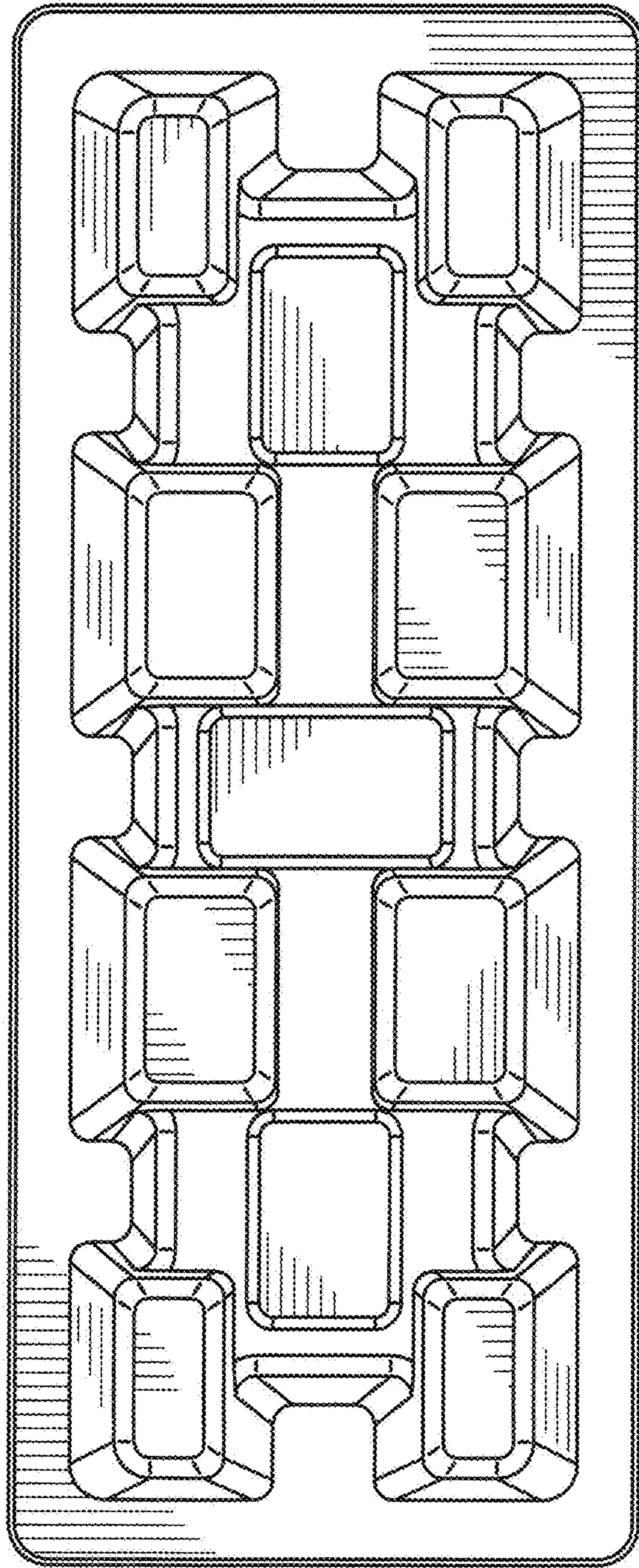


FIG. 6



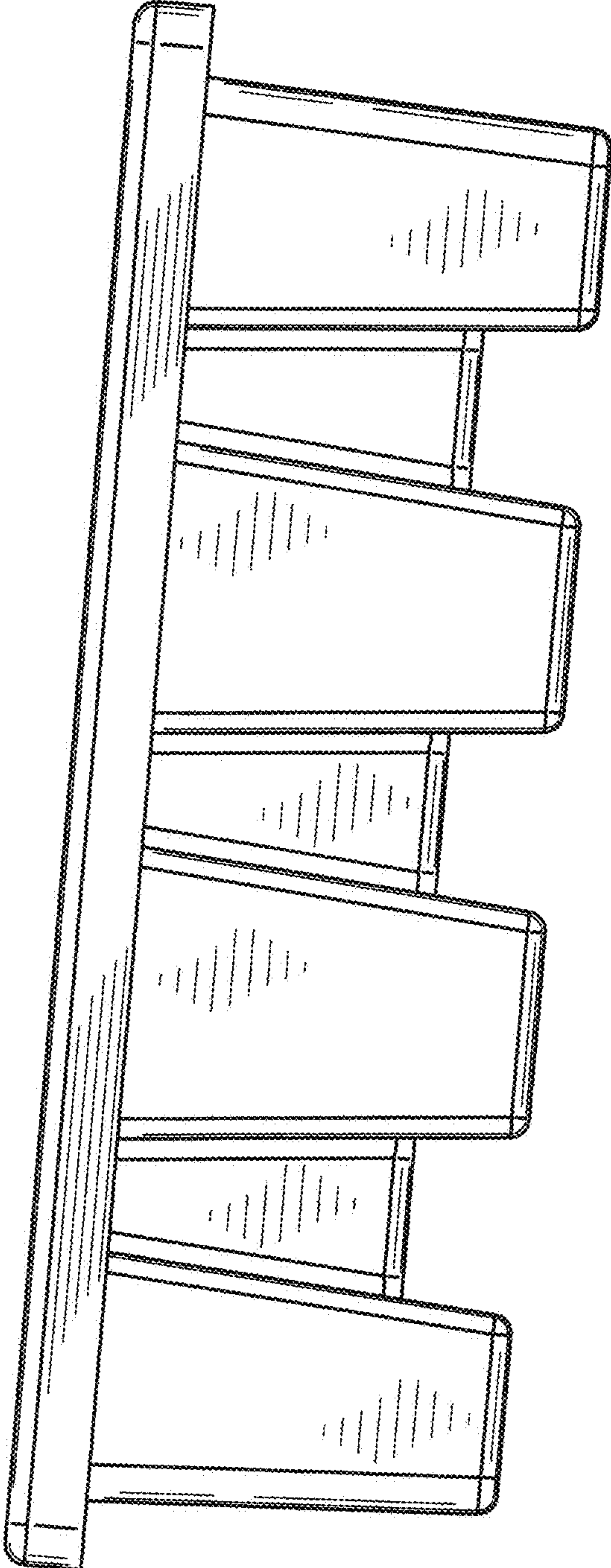


FIG. 7

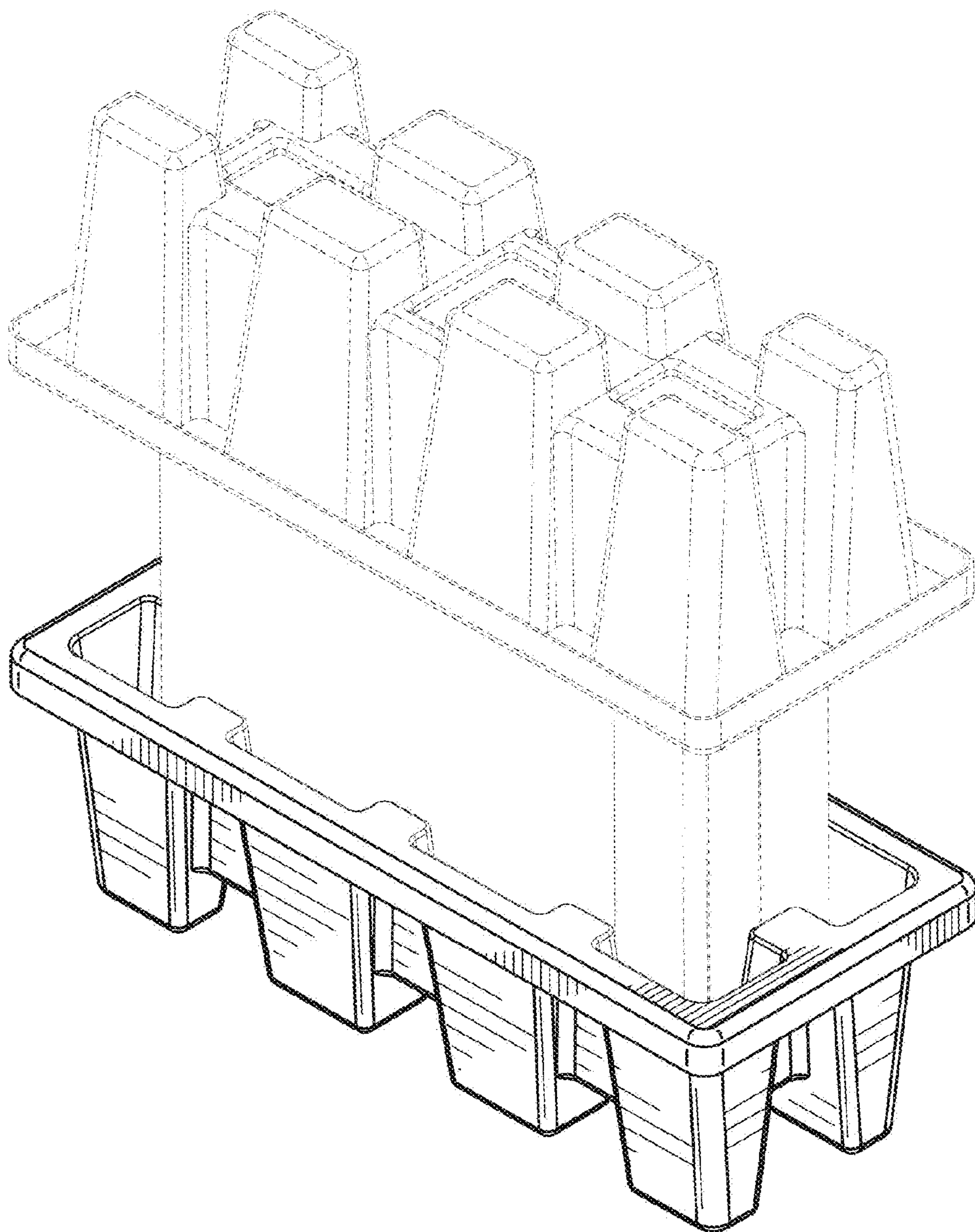


FIG. 8