



US00D702122S

(12) **United States Design Patent**  
**Rech**

(10) **Patent No.:** **US D702,122 S**

(45) **Date of Patent:** **\*\* Apr. 8, 2014**

(54) **TRIGGER SPRAYER SHROUD**

(75) Inventor: **Gilberto Rech**, Veneto (IT)

(73) Assignee: **MeadWestvaci—Vicenza S.p.A.**,  
Richmond, VA (US)

(\*\*) Term: **14 Years**

(21) Appl. No.: **29/413,240**

(22) Filed: **Feb. 13, 2012**

(51) **LOC (10) Cl.** ..... **09-07**

(52) **U.S. Cl.**

USPC ..... **D9/448**

(58) **Field of Classification Search**

USPC ..... D9/434, 435, 448, 449; D23/213, 226;  
222/323, 383.1, 383.3, 402.15;  
239/120, 215, 333, 394, 526, 539;  
417/178, 198, 411

See application file for complete search history.

(56) **References Cited**

**U.S. PATENT DOCUMENTS**

5,267,692	A	*	12/1993	Maas et al.	.....	239/333
D409,917	S	*	5/1999	Wadsworth et al.	.....	D9/448
D409,918	S	*	5/1999	Wadsworth et al.	.....	D9/448
D520,872	S	*	5/2006	Paas et al.	.....	D9/448
D521,864	S	*	5/2006	Cartoni	.....	D9/448
D582,769	S	*	12/2008	Turchi	.....	D9/448
D582,770	S	*	12/2008	Turchi	.....	D9/448
D583,233	S	*	12/2008	Cantoni et al.	.....	D9/448
D587,574	S	*	3/2009	Cantoni et al.	.....	D9/448
D601,895	S	*	10/2009	Buogo et al.	.....	D9/448
D601,896	S	*	10/2009	Buogo et al.	.....	D9/448
D625,188	S	*	10/2010	Rech	.....	D9/448

**OTHER PUBLICATIONS**

VersaPlast™ SP 05 Trigger Sprayer. (c) 2012; 2 pages. Found at  
<http://www.meadwestvaco.com/HomeandGardenPackaging/AerosolSprayers/MWVD010651>.\*

Foam Trigger Sprayer. NingBo Lemon Garden Equipment Co, Ltd. (c) unknown; 2 pages. Found at <http://www.cngardensprayer.com/products/Foam-trigger-sprayer-49251.html>.\*

\* cited by examiner

*Primary Examiner* — Robert M Spear

(74) *Attorney, Agent, or Firm* — MeadWestvaco Intellectual Property Group

(57) **CLAIM**

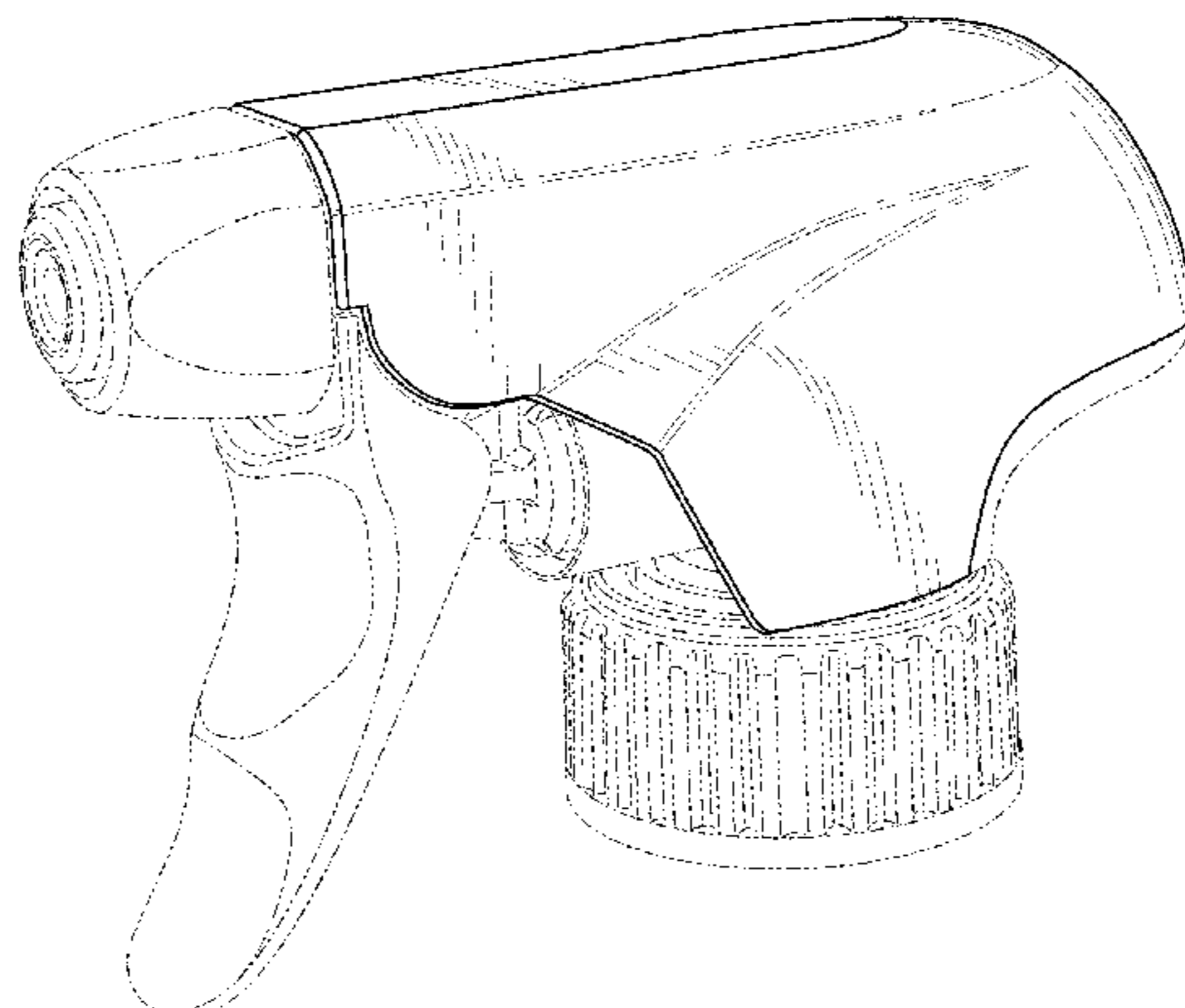
The ornamental design for a trigger sprayer shroud, as shown and described.

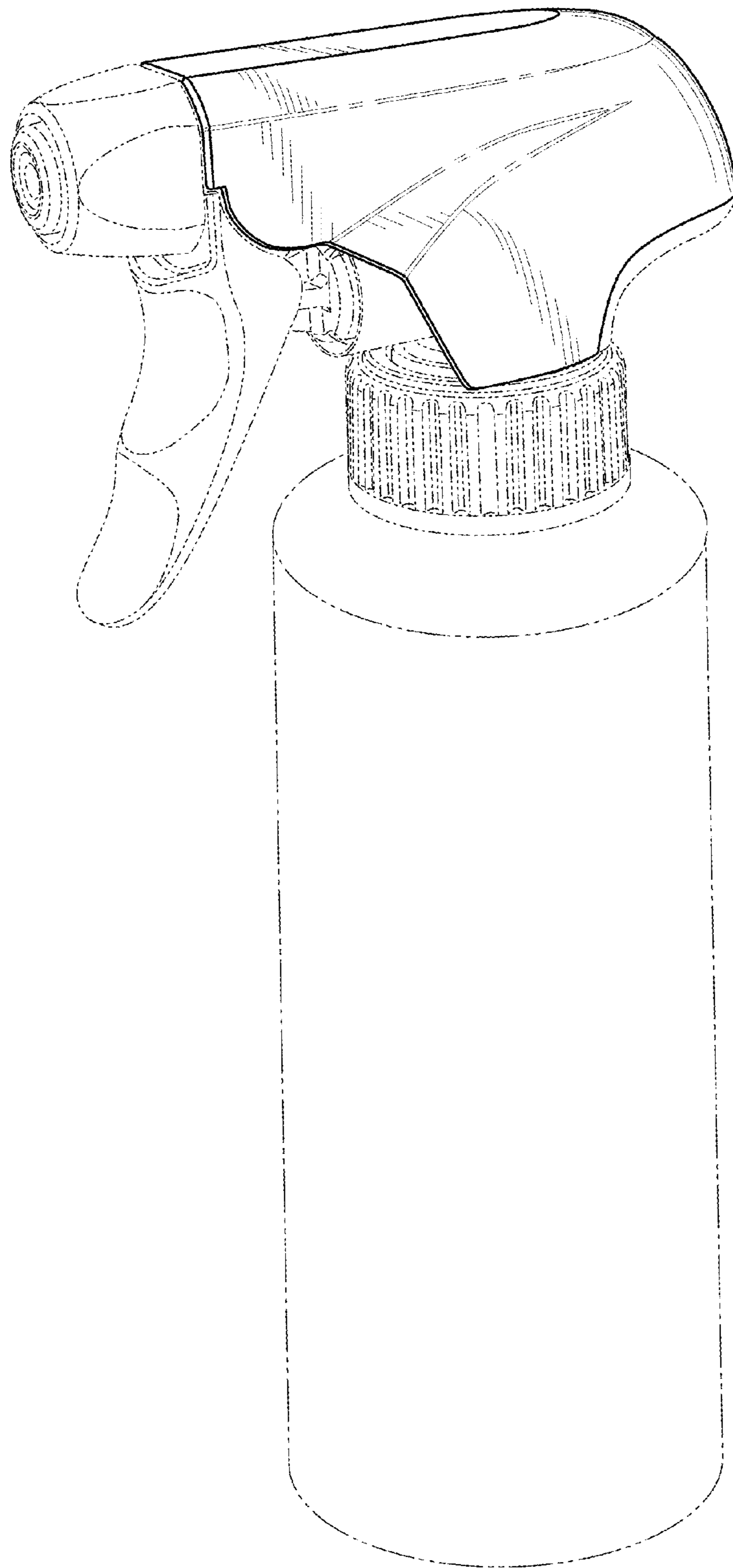
**DESCRIPTION**

FIG. 1 is a perspective view of a trigger sprayer shroud showing the new design;  
FIG. 2 is a front perspective view of the new design;  
FIG. 3 is a back perspective view of the new design;  
FIG. 4 is a left view of the new design;  
FIG. 5 is a right view of the new design;  
FIG. 6 is a back view of the new design;  
FIG. 7 is a front view of the new design;  
FIG. 8 is a top view of the new design;  
FIG. 9 is a perspective view of a trigger sprayer shroud showing the new design in an alternate environment;  
FIG. 10 is a front perspective view thereof;  
FIG. 11 is a back perspective view of the new design in an alternate environment;  
FIG. 12 is a left view of the new design in an alternate environment;  
FIG. 13 is a right view of the new design in an alternate environment;  
FIG. 14 is a back view of the new design in an alternate environment;  
FIG. 15 is a front view of the new design in an alternate environment; and,  
FIG. 16 is a top view of the new design in an alternate environment.

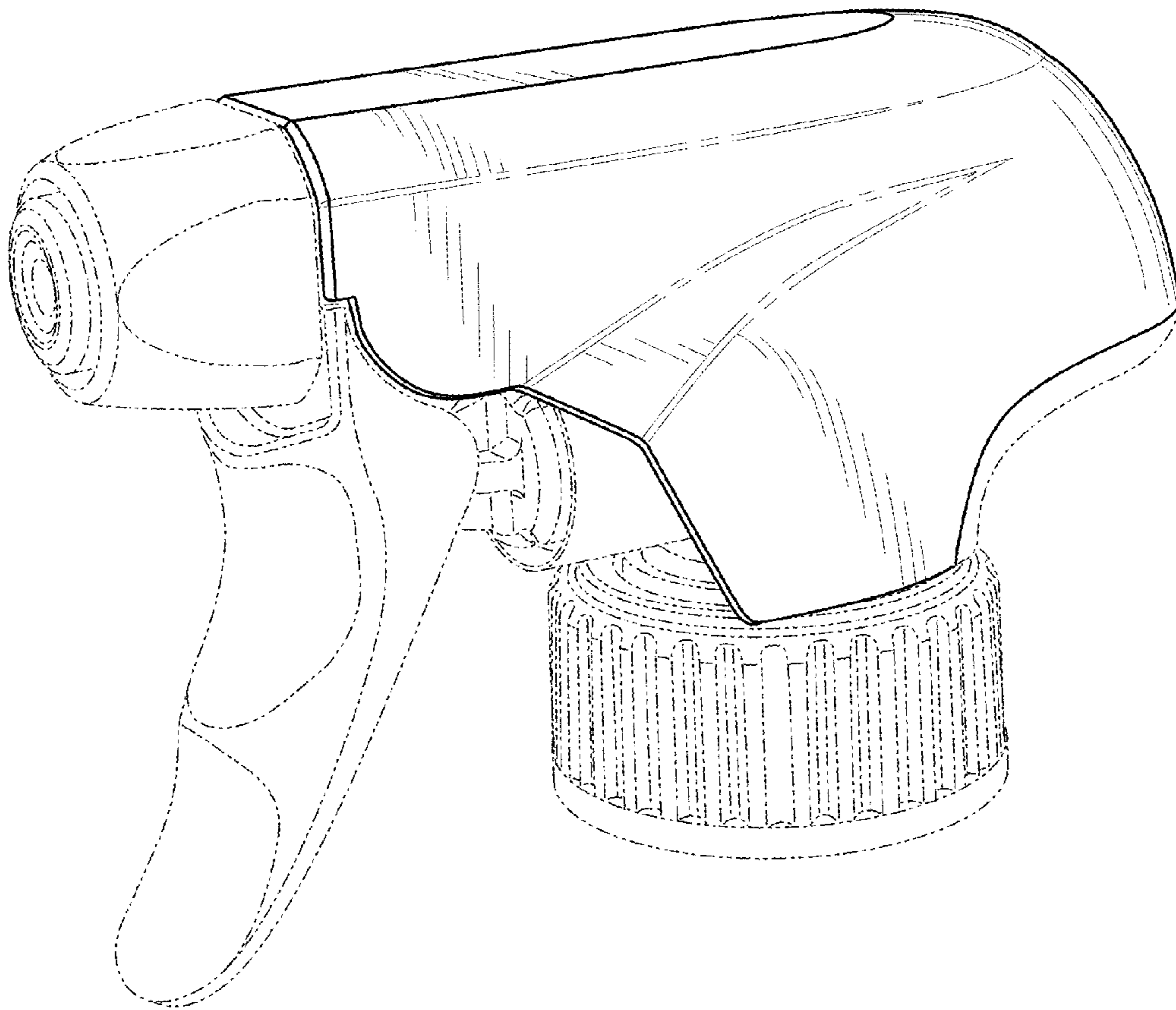
The broken lines in the drawings are understood to represent unclaimed portions of the article in which the claimed design is embodied. The broken lines form no part of the claim.

**1 Claim, 12 Drawing Sheets**

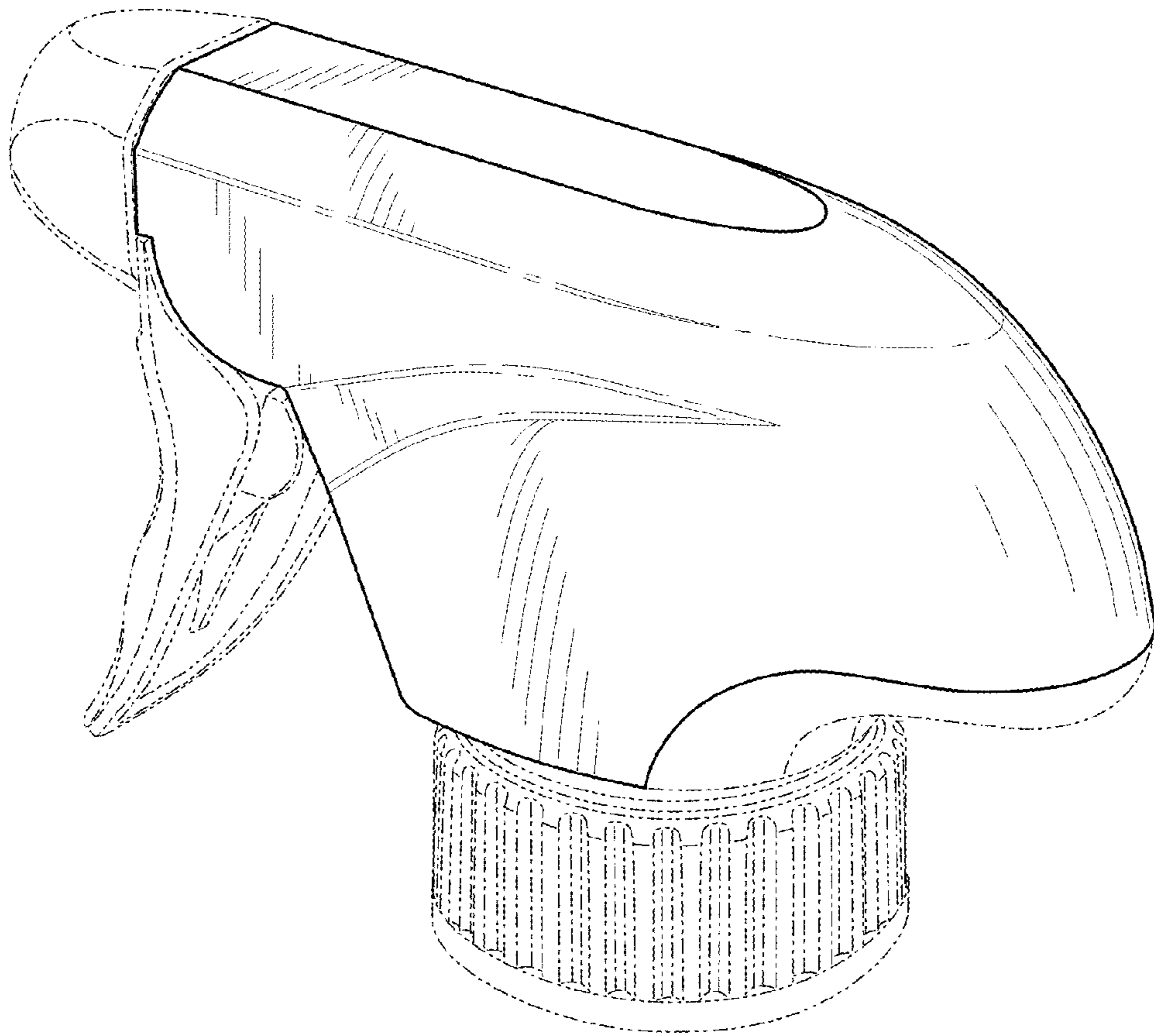




**FIG. 1**

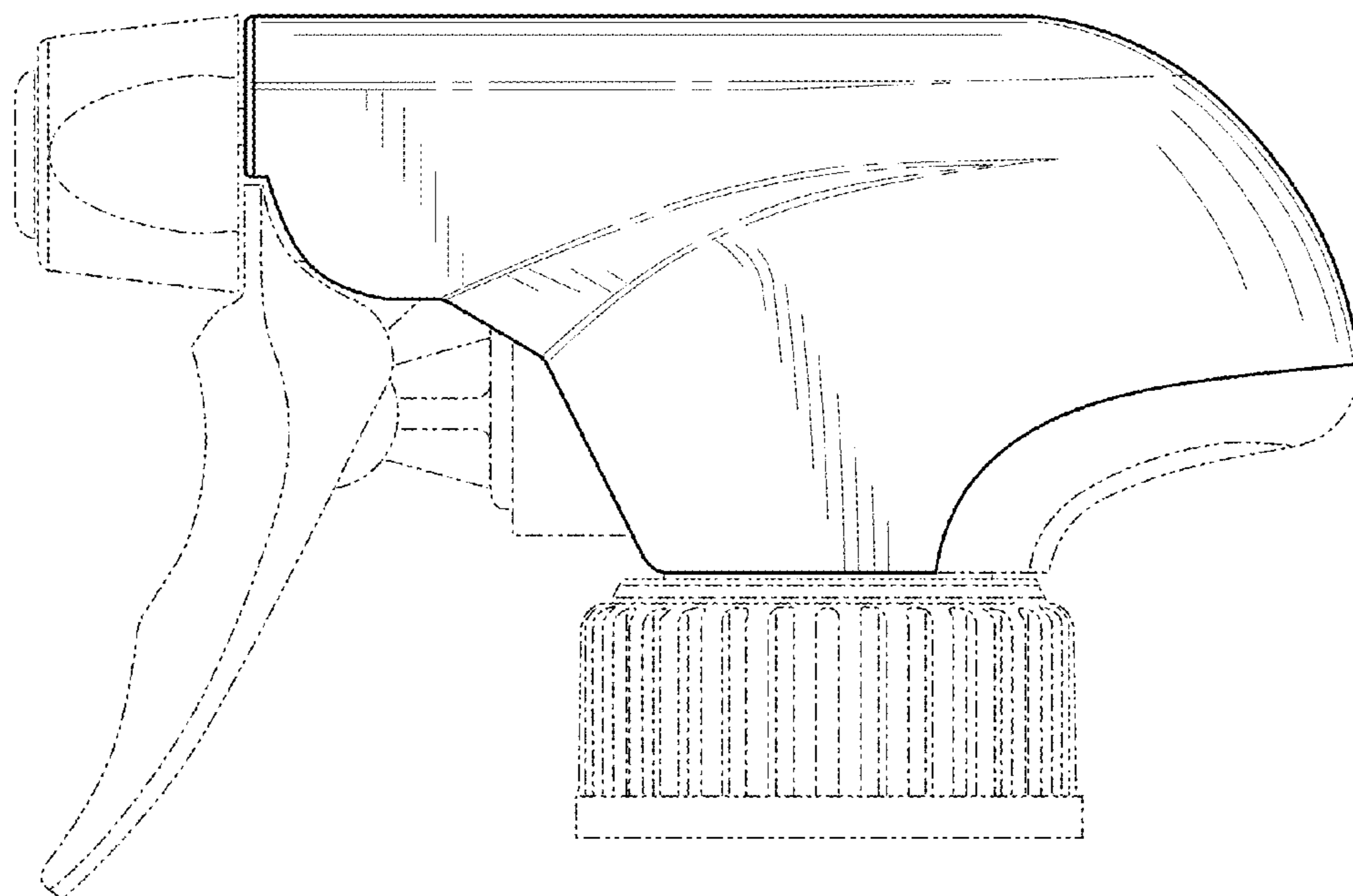


**FIG. 2**

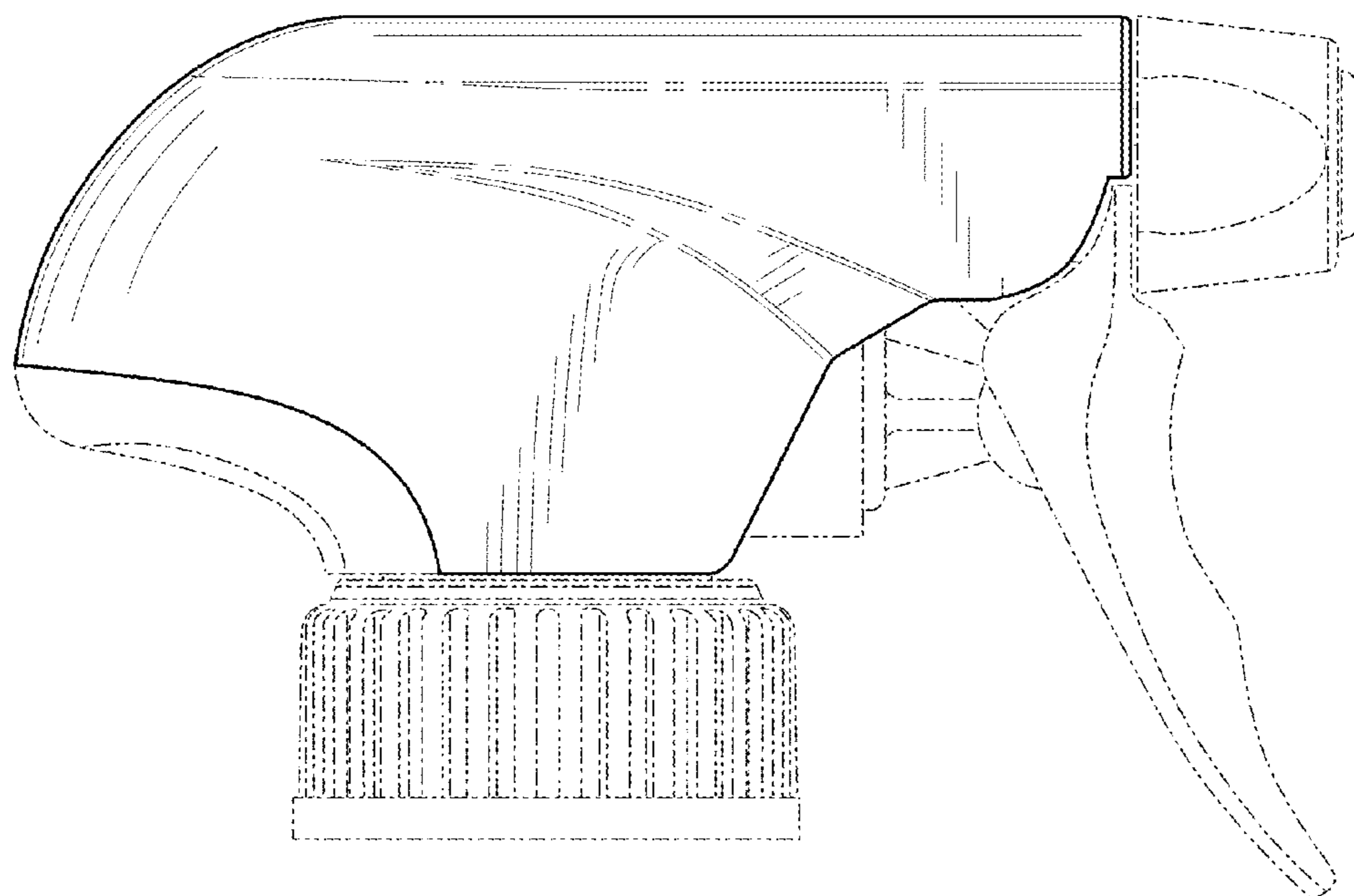


**FIG. 3**

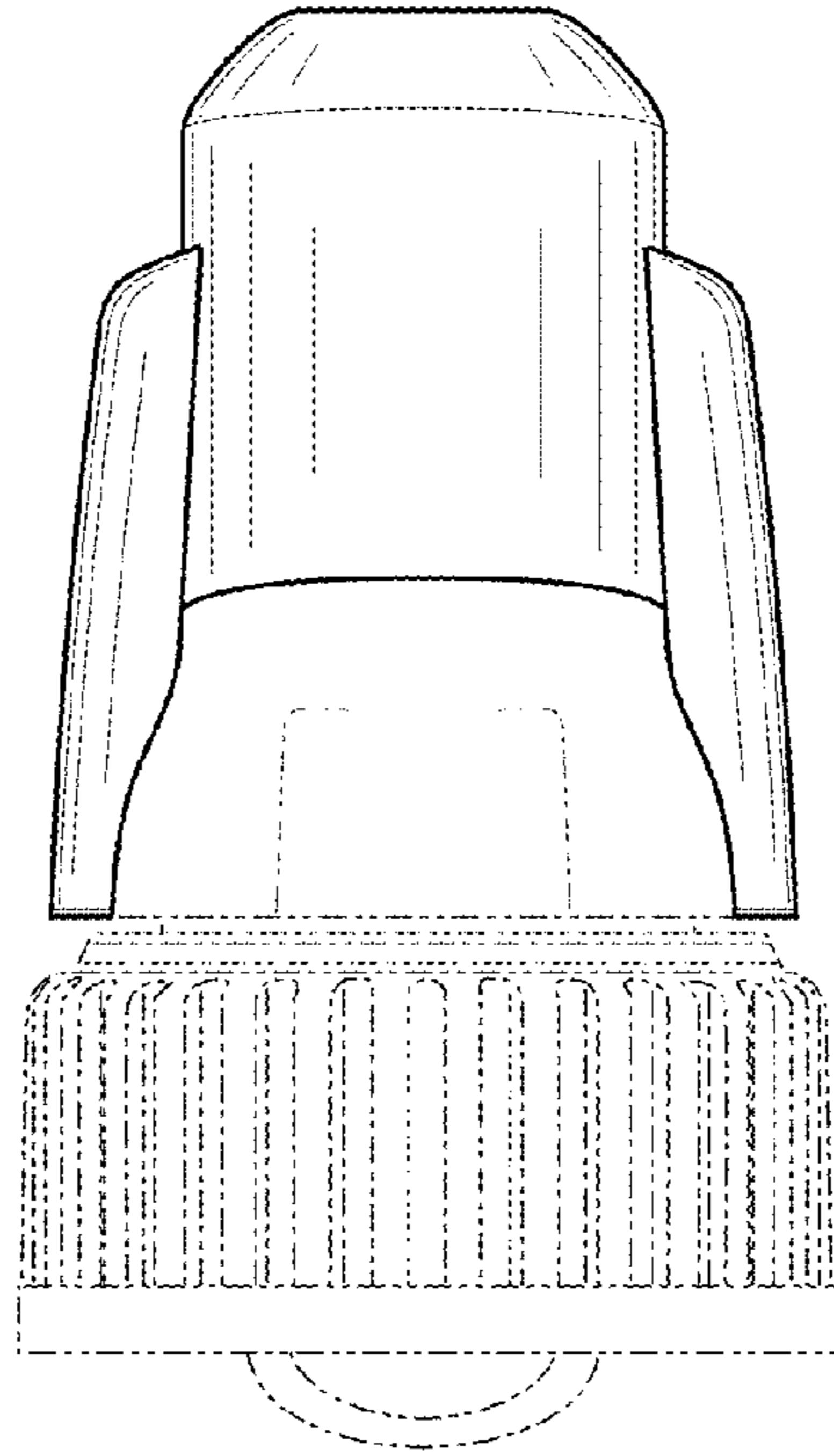




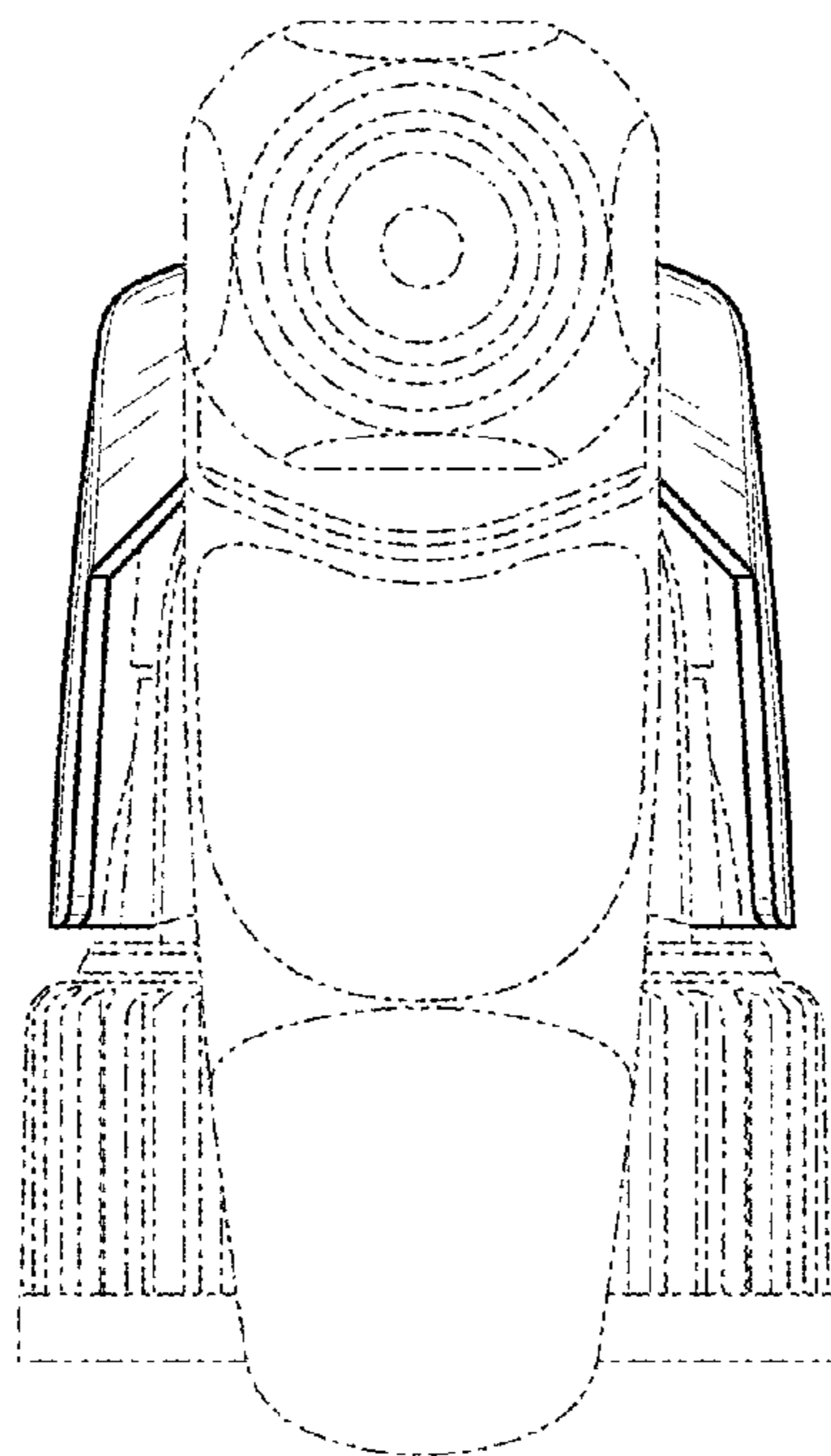
**FIG. 4**



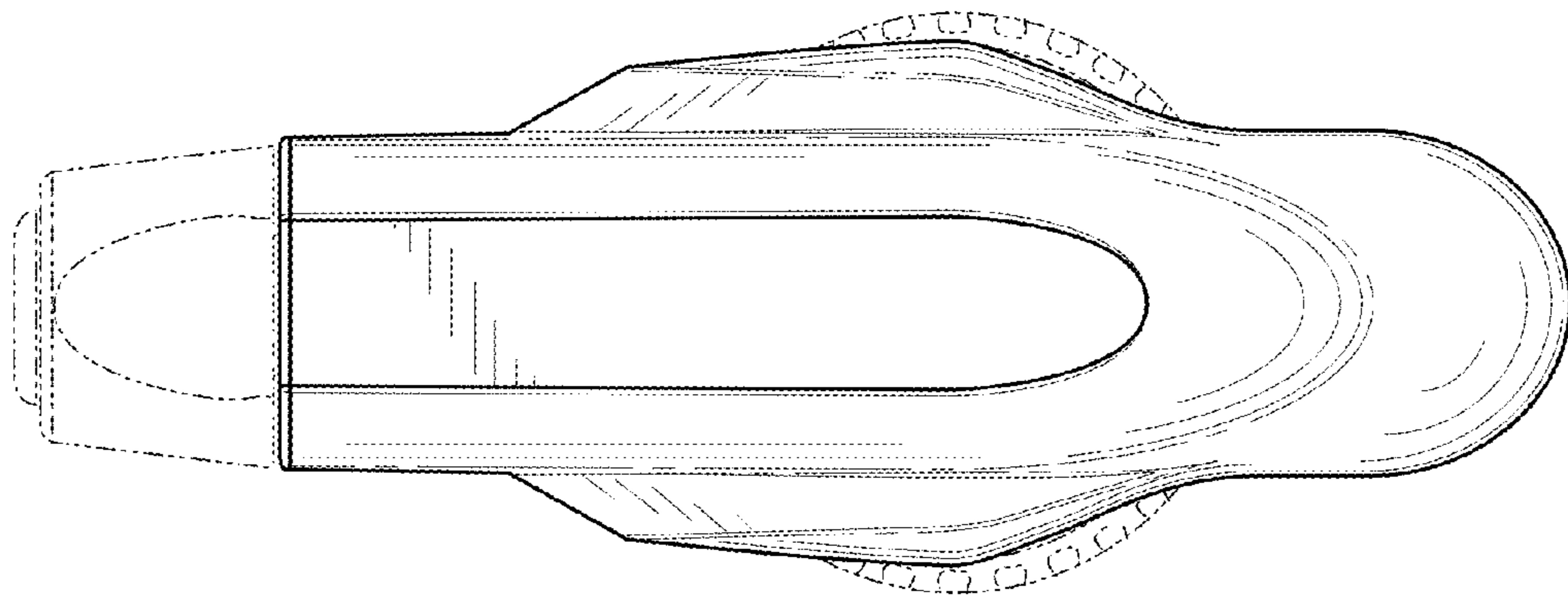
**FIG. 5**



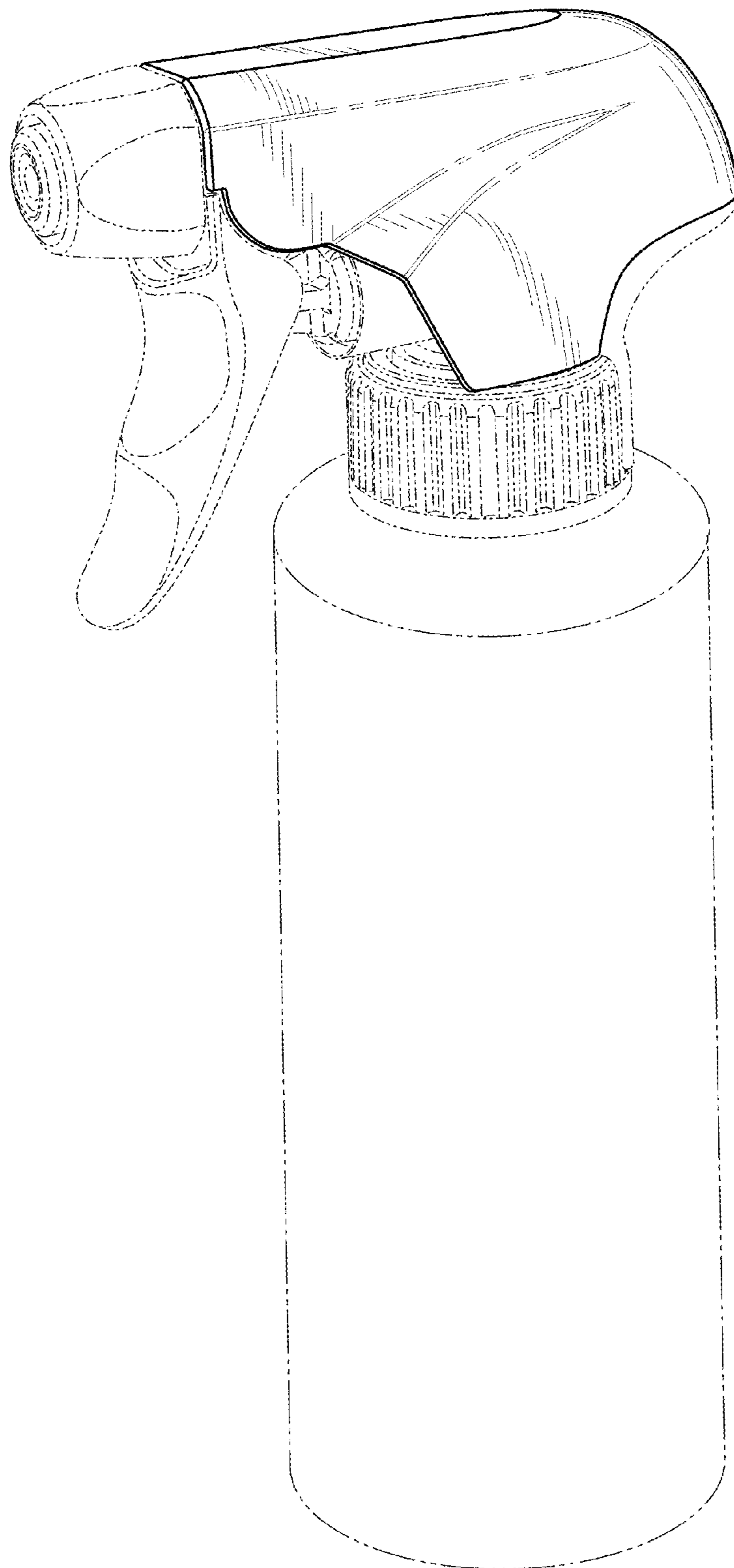
**FIG. 6**



**FIG. 7**

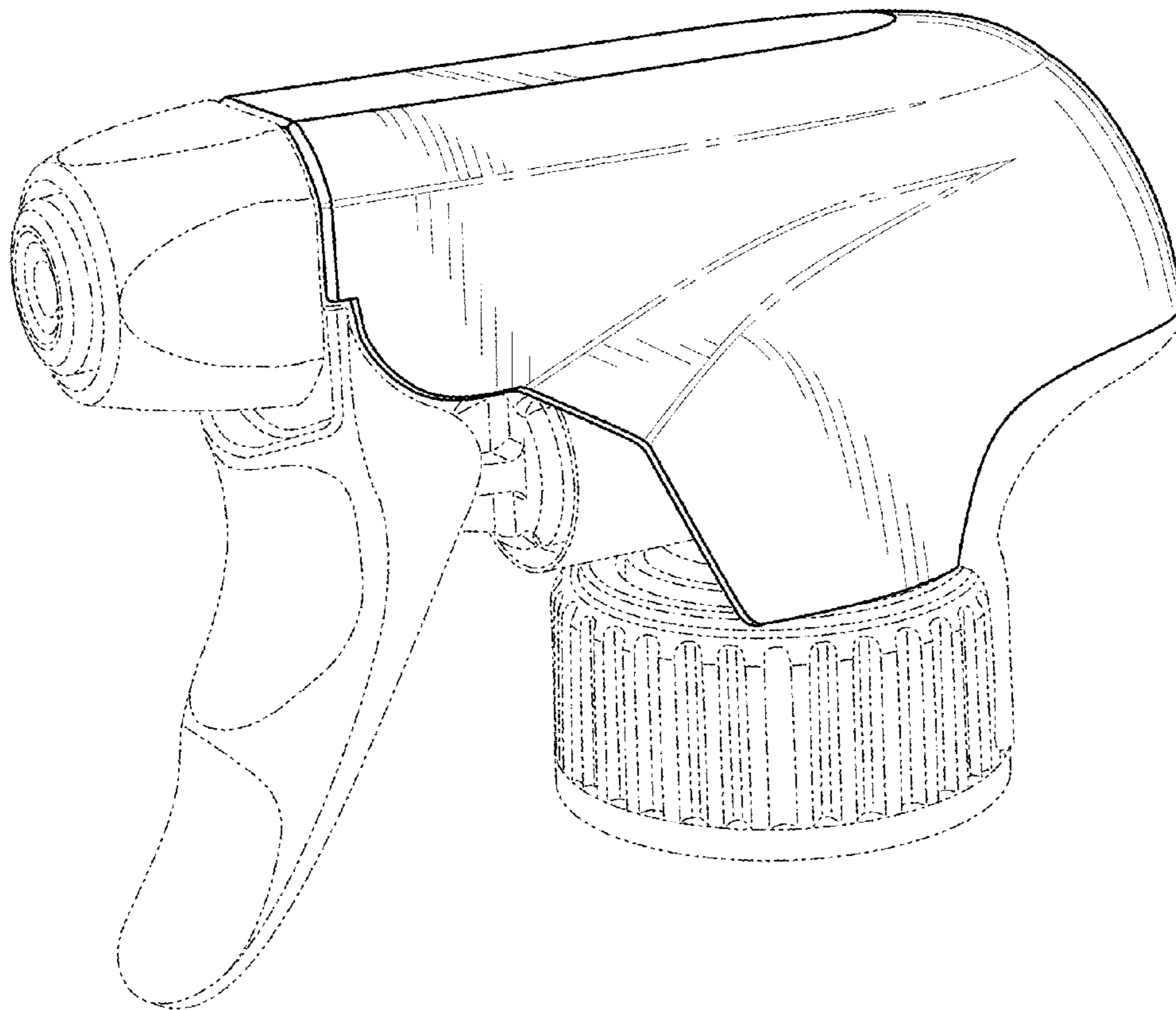


**FIG. 8**

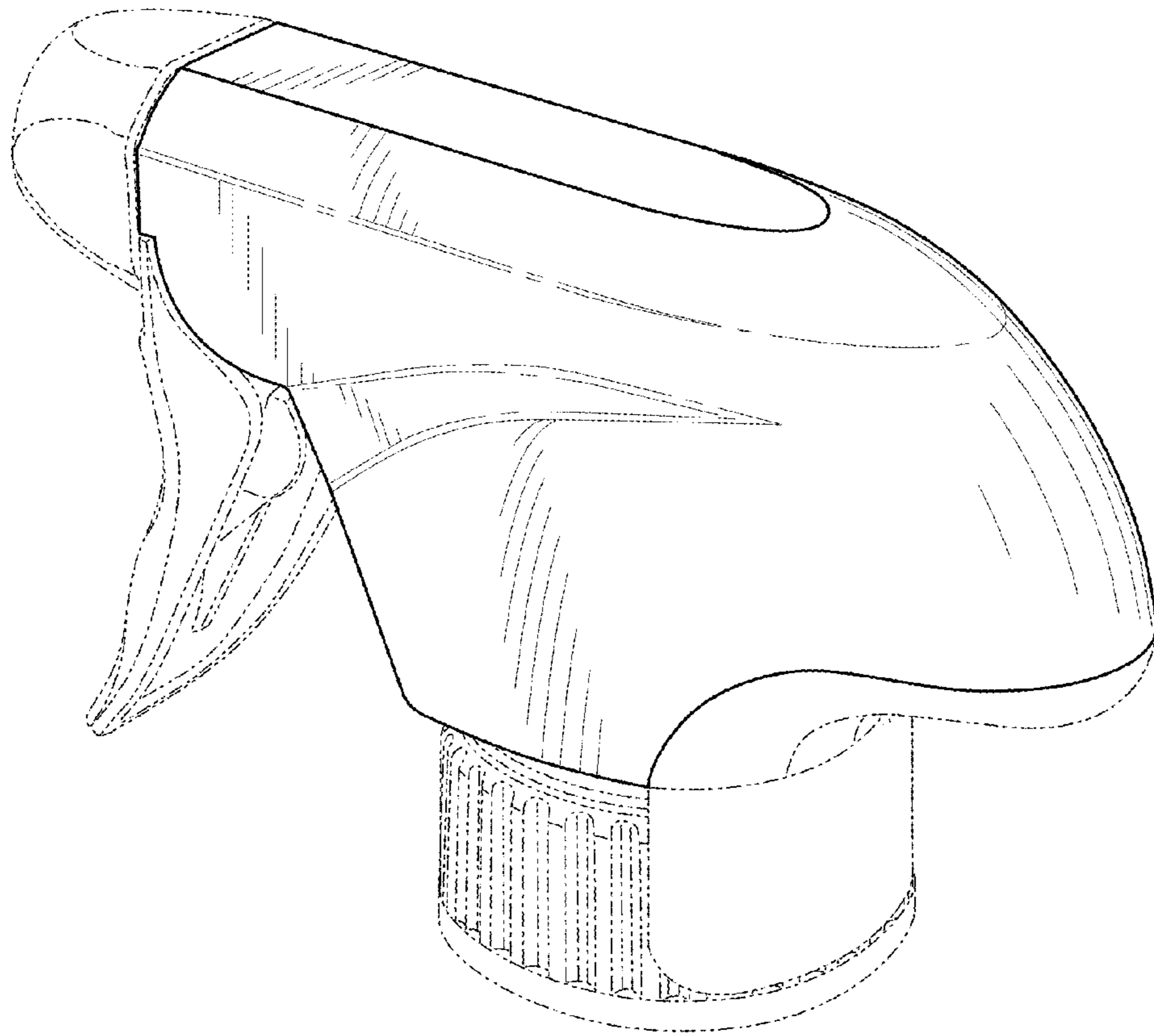


**FIG. 9**

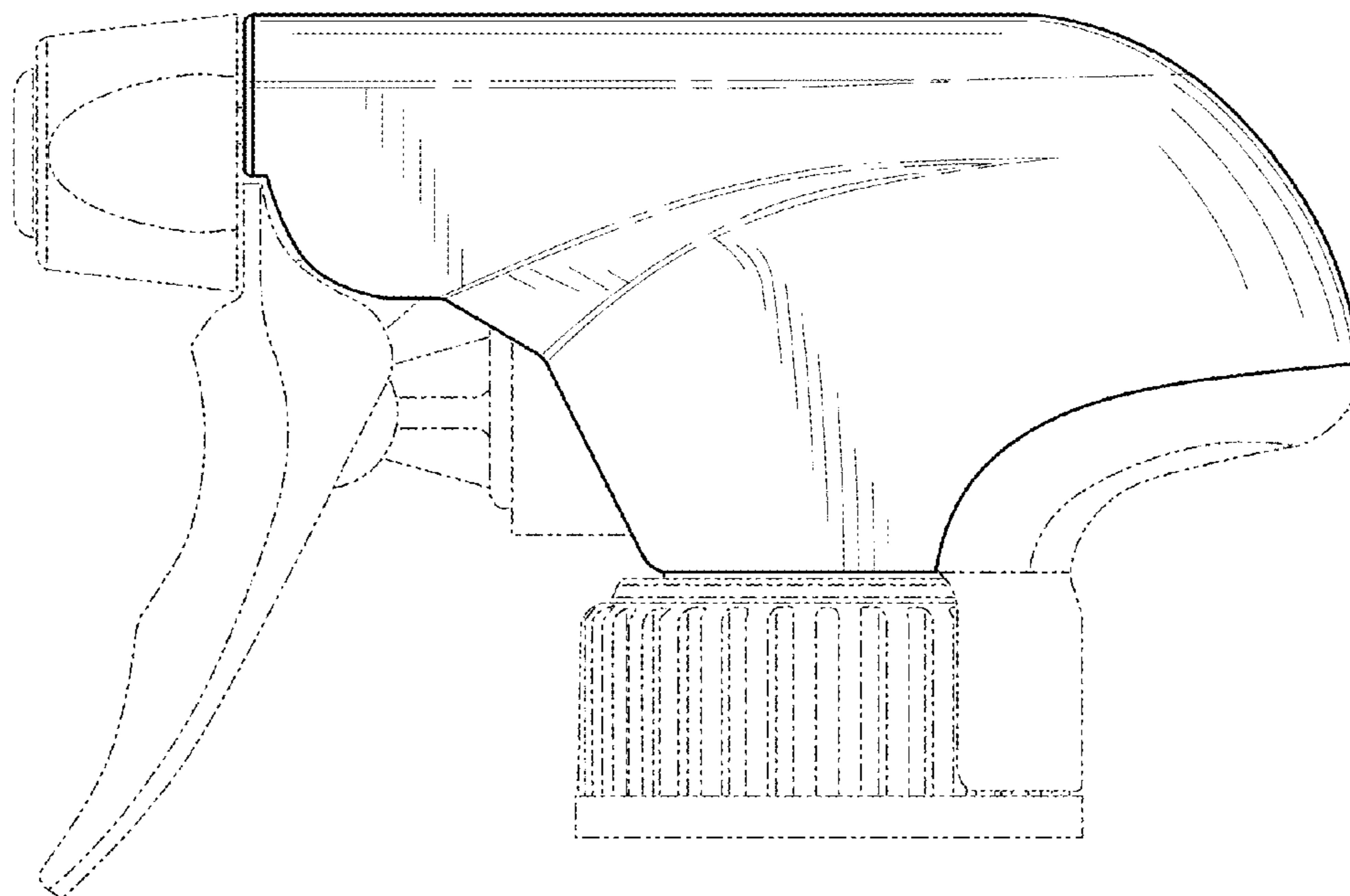




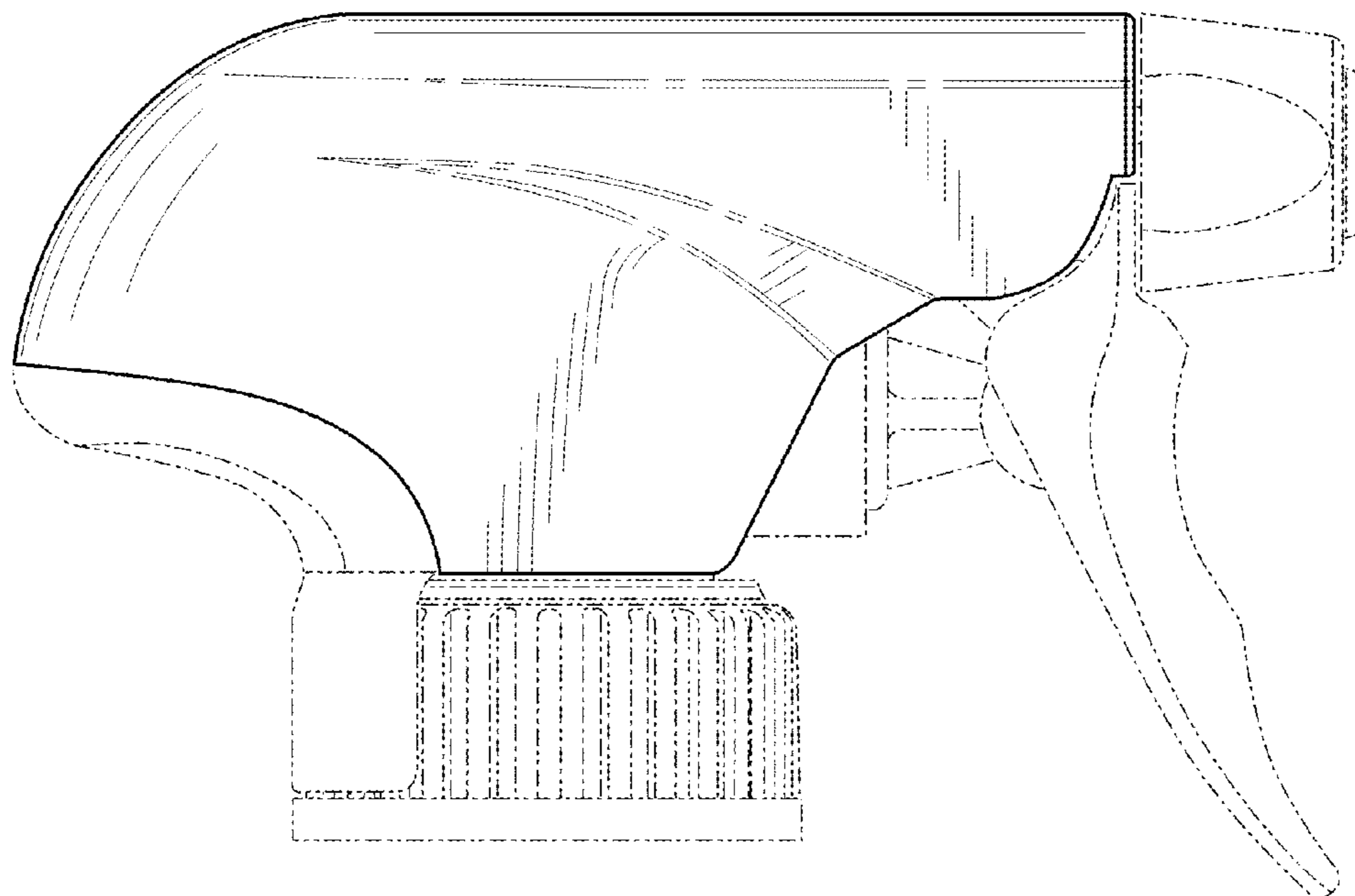
**FIG. 10**



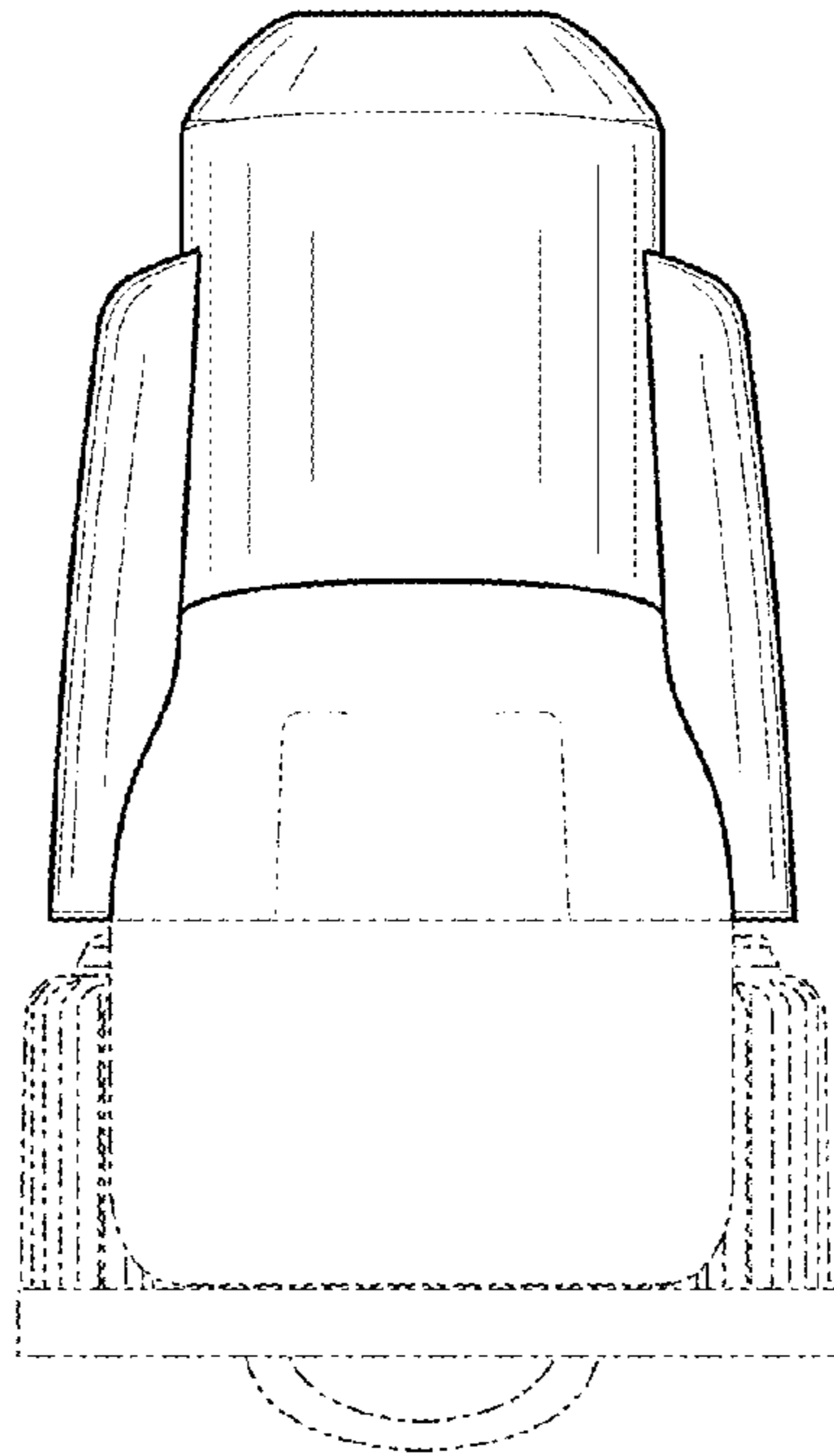
**FIG. 11**



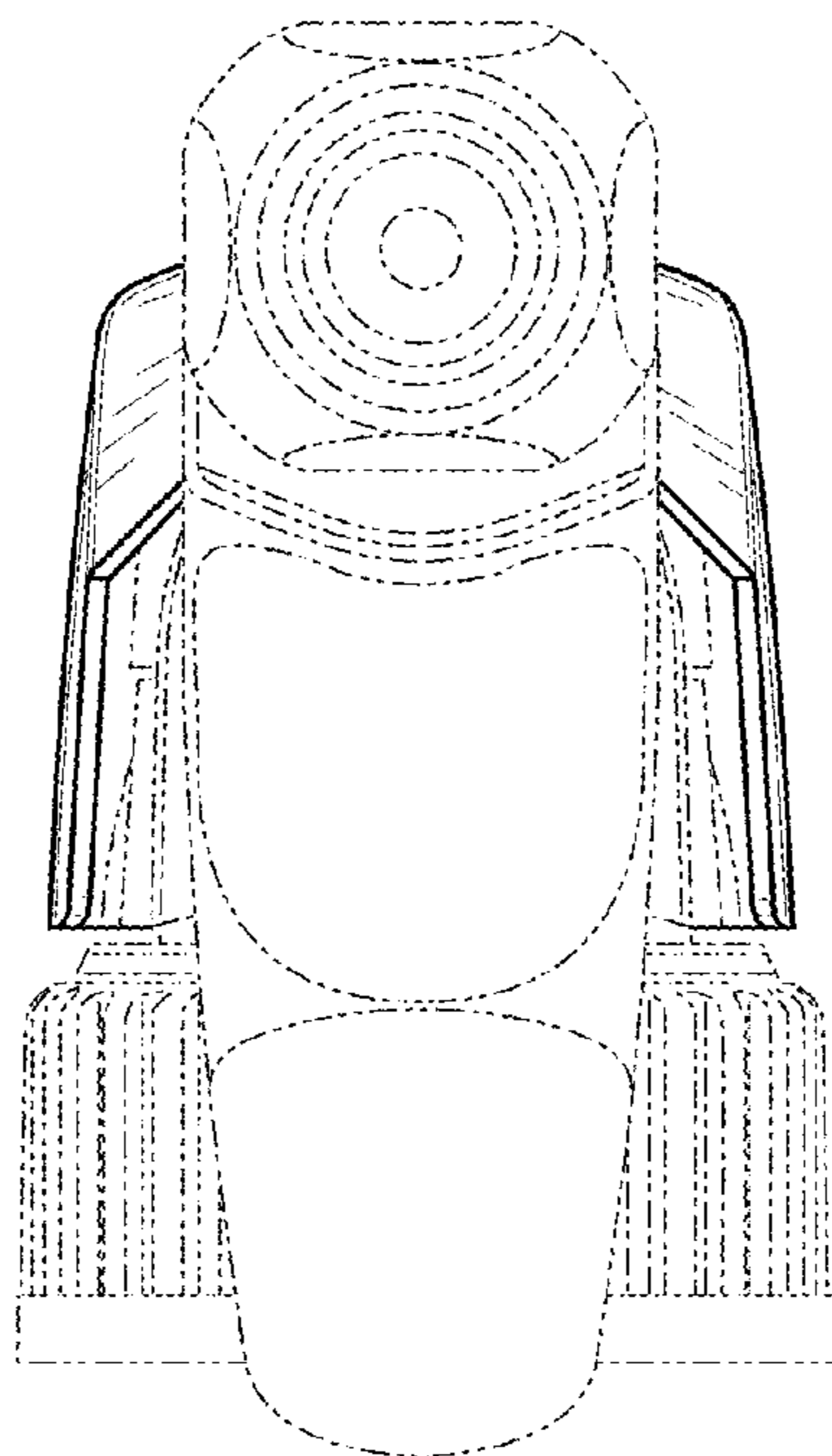
**FIG. 12**



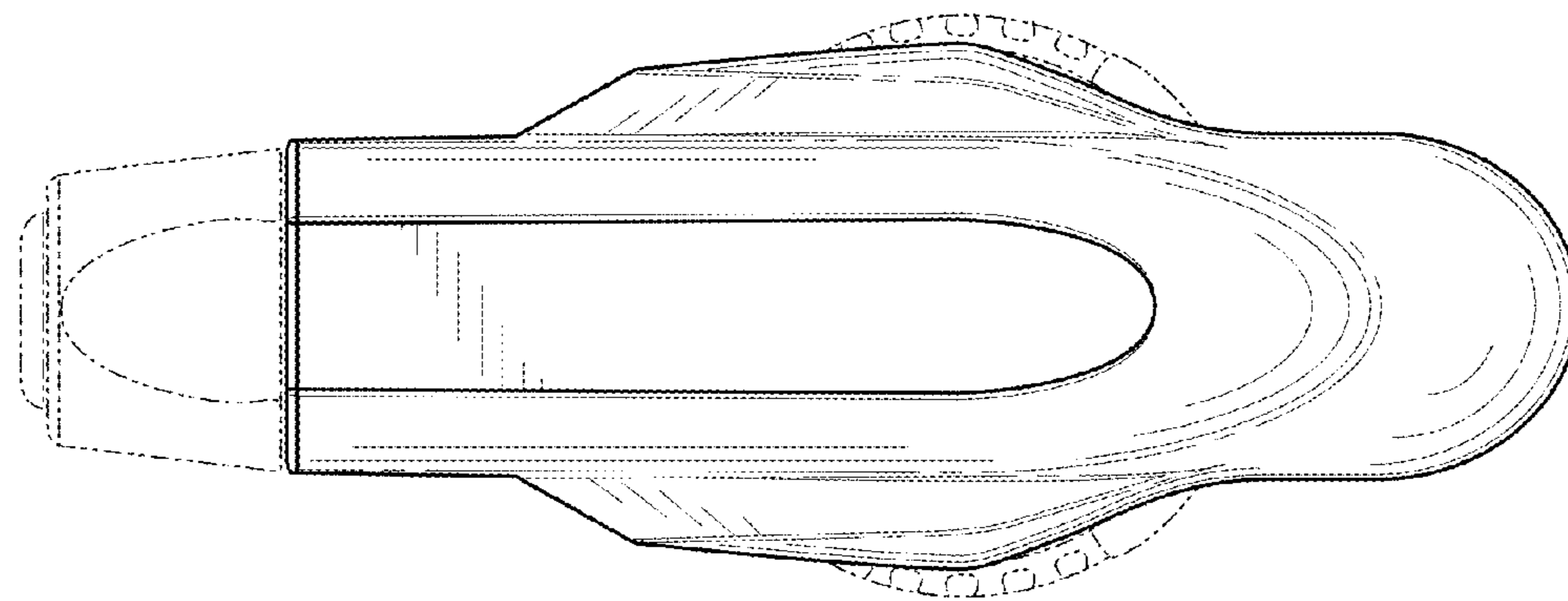
**FIG. 13**



**FIG. 14**



**FIG. 15**



**FIG. 16**