



US00D702120S

(12) **United States Design Patent**
Rendo

(10) **Patent No.:** **US D702,120 S**

(45) **Date of Patent:** **** Apr. 8, 2014**

(54) **BAG CARRIER**

(71) Applicant: **Benjamin C. Rendo**, Praire Village, KS
(US)

(72) Inventor: **Benjamin C. Rendo**, Praire Village, KS
(US)

(73) Assignee: **Benjamin C. Rendo**, Praire Village, KS
(US)

(**) Term: **14 Years**

(21) Appl. No.: **29/447,478**

(22) Filed: **Mar. 4, 2013**

(51) **LOC (10) Cl.** **09-07**

(52) **U.S. Cl.**
USPC **D9/434**

(58) **Field of Classification Search**
USPC D9/434, 455, 499; D3/328, 276, 282,
D3/291; D8/10, 14, 356, 367, 368, 372;
D21/532; 294/137, 146, 153, 158, 159,
294/170; 16/428

See application file for complete search history.

(56) **References Cited**

U.S. PATENT DOCUMENTS

D314,150 S	1/1991	Preciutti	
5,339,555 A *	8/1994	Miskimins	43/5
D372,865 S *	8/1996	Stowell et al.	D9/434
D374,621 S *	10/1996	Salazar, Jr.	D9/434
D379,432 S *	5/1997	Santini	D9/434
D386,409 S *	11/1997	Santini	D9/434
D388,326 S	12/1997	Gurry et al.	
D400,785 S *	11/1998	Randall	D9/434
D408,259 S *	4/1999	Hagen	D8/300
D417,393 S	12/1999	DiMeo et al.	
D421,221 S	2/2000	O’Kane	
D441,653 S	5/2001	LeRoux	

D448,665 S	10/2001	Lenczowski	
D458,130 S *	6/2002	Ronne et al.	D9/434
7,232,168 B2 *	6/2007	Orefice	294/137
D559,679 S *	1/2008	Findon	D9/434
D563,741 S *	3/2008	Patton	D8/10
D565,405 S *	4/2008	Lenci	D9/434
D578,859 S *	10/2008	Bednarz	D8/300
D618,973 S *	7/2010	Gosselin	D8/10
D643,991 S *	8/2011	Miller et al.	D34/28

OTHER PUBLICATIONS

Rendo, Benjamin C.; “Bag Carrier”; Design U.S. Appl. No. 29/431,297, filed Sep. 12, 2012.

Rendo, Benjamin C.; “Bag Carrier”; Design U.S. Appl. No. 29/447,480, filed Mar. 4, 2013.

* cited by examiner

Primary Examiner — Susan Bennett Hattan

Assistant Examiner — Brett Miller

(74) *Attorney, Agent, or Firm* — Polsinelli PC

(57) **CLAIM**

The ornamental design for a bag carrier, as shown and described.

DESCRIPTION

FIG. 1 is a front perspective view of a first embodiment of my bag carrier;

FIG. 2 is a front view of the first bag carrier;

FIG. 3 is a side view of the first bag carrier;

FIG. 4 is a top view of the first bag carrier;

FIG. 5 is a bottom view of the first bag carrier;

FIG. 6 is a front perspective view of a second embodiment of my bag carrier;

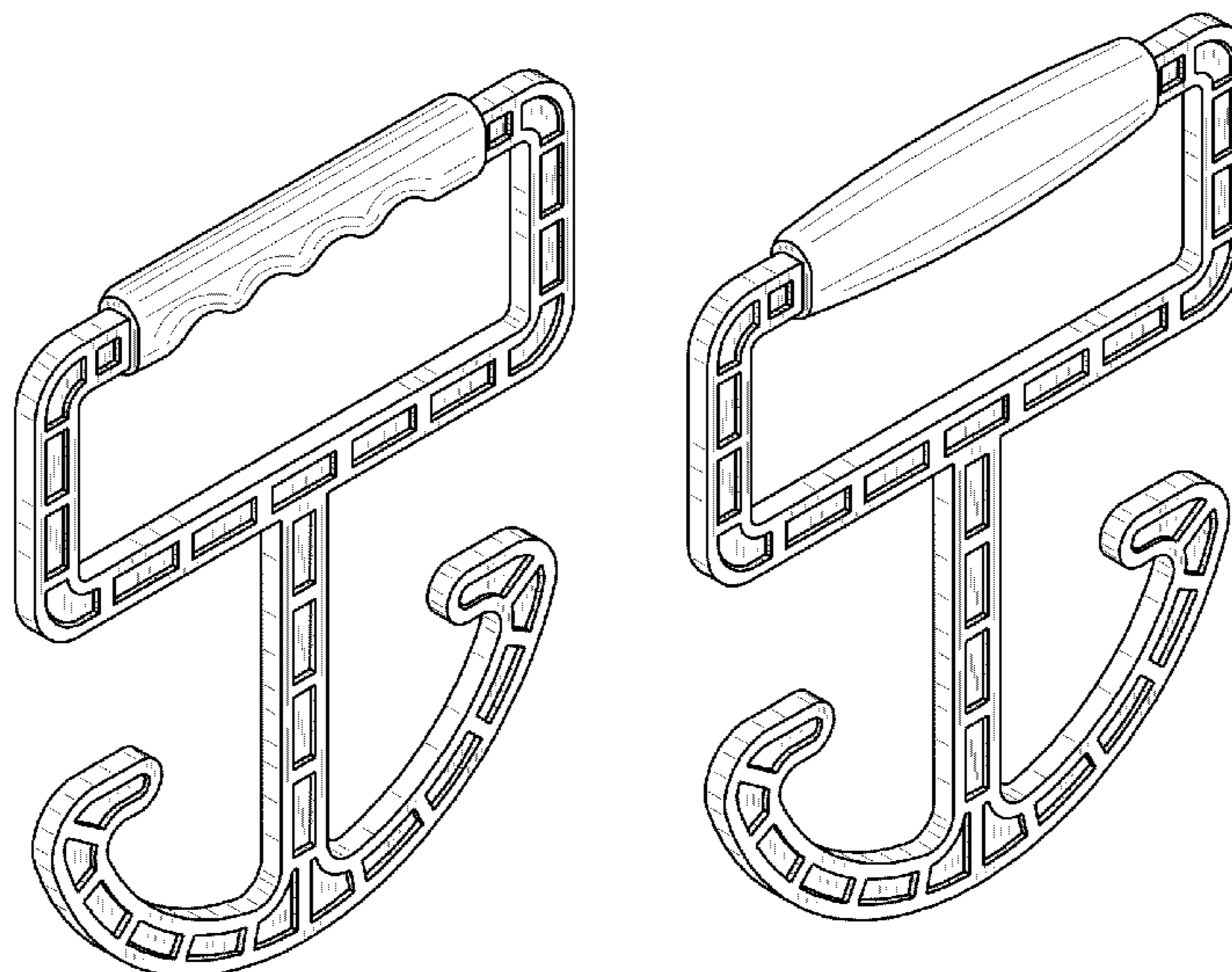
FIG. 7 is a front view of the second bag carrier;

FIG. 8 is a side view of the second bag carrier;

FIG. 9 is a top view of the second bag carrier; and,

FIG. 10 is a bottom view of the second bag carrier.

1 Claim, 2 Drawing Sheets



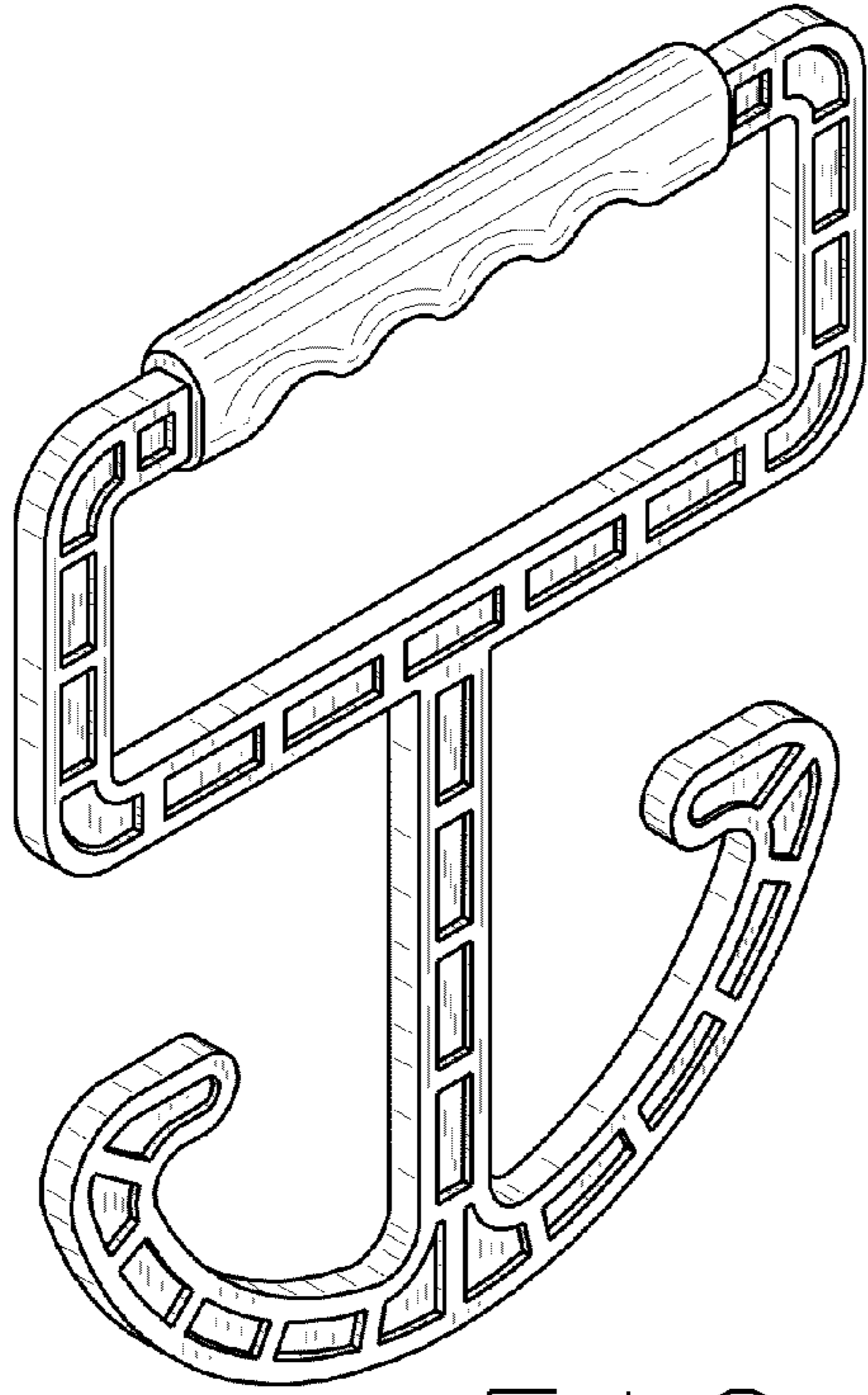


FIG. 1



FIG. 3

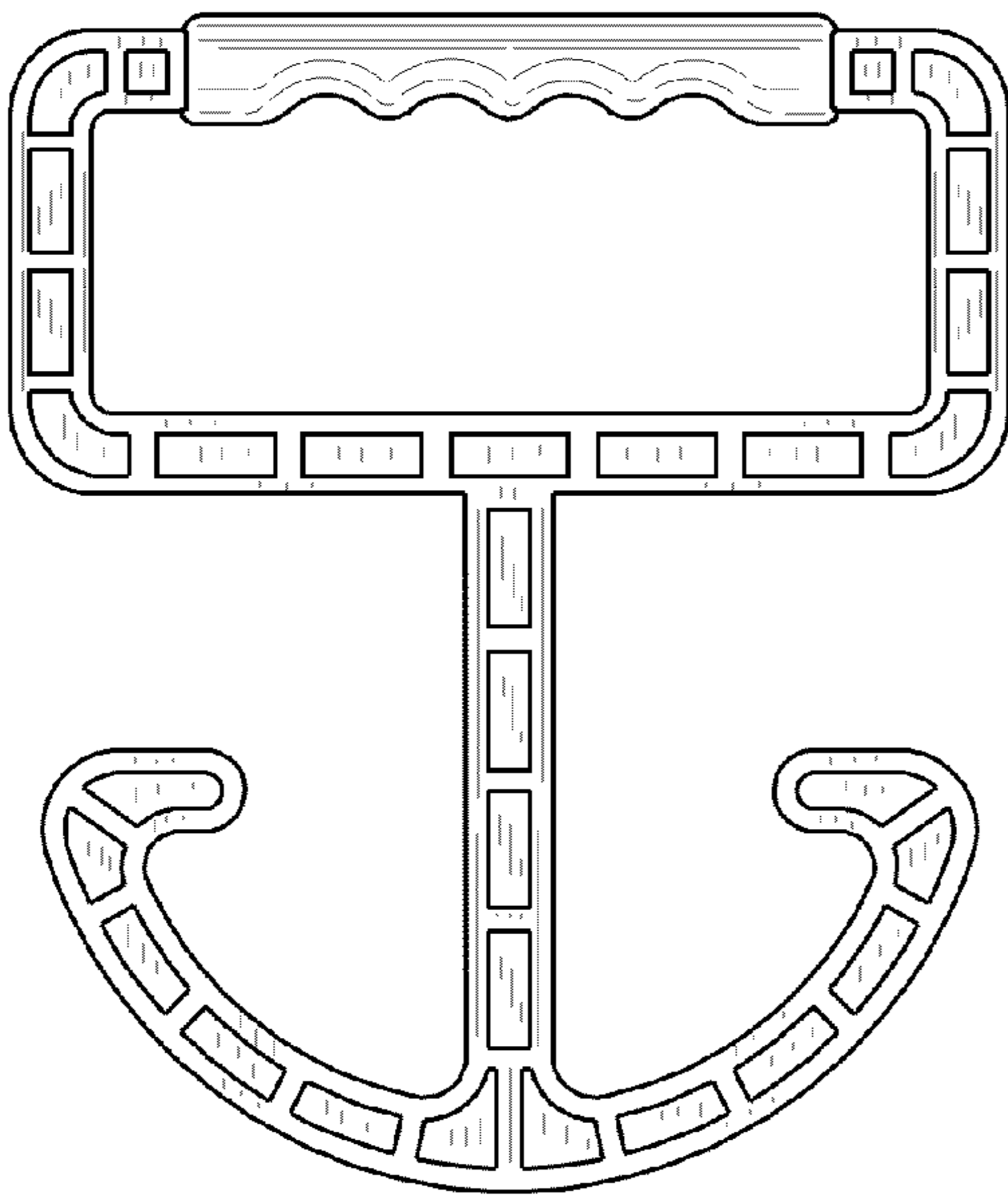


FIG. 2

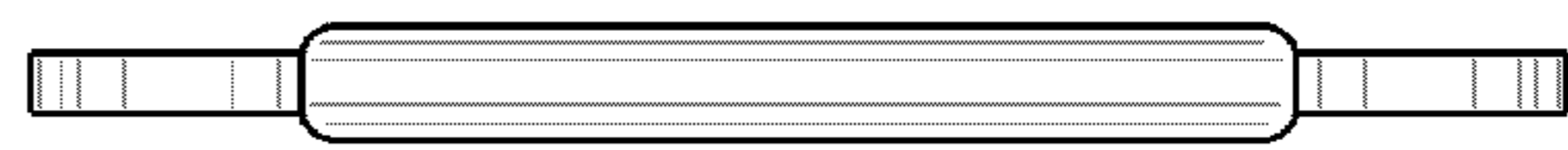


FIG. 4



FIG. 5

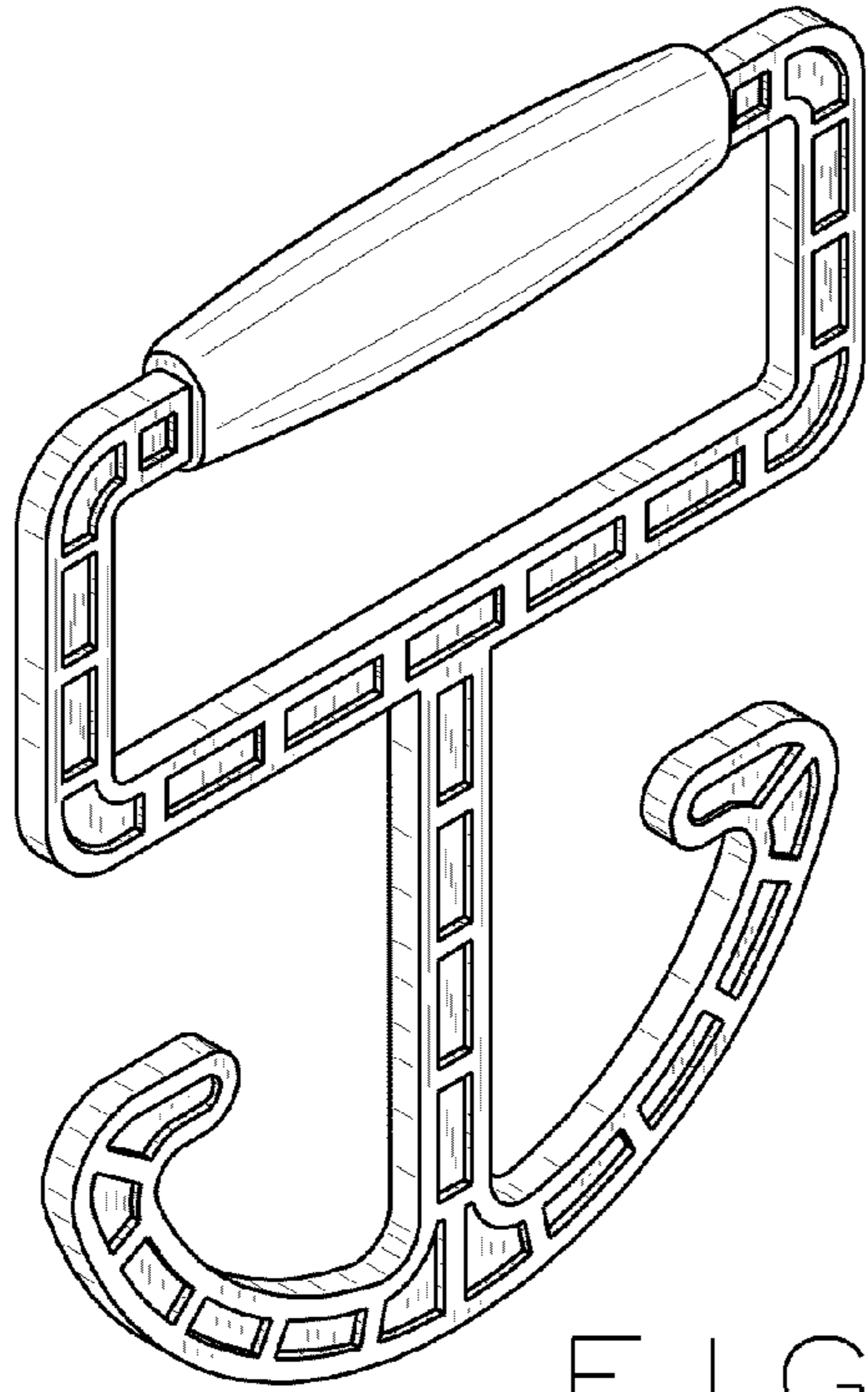


FIG. 6

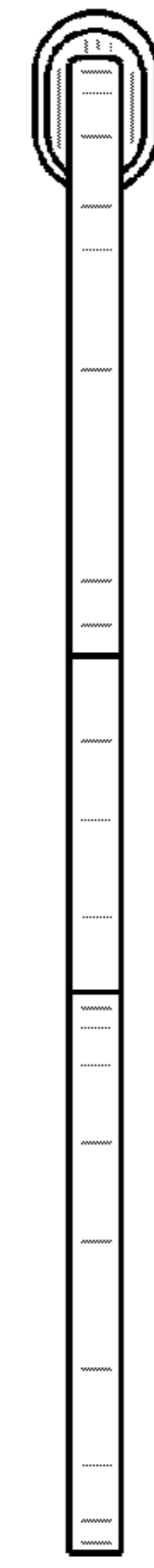


FIG. 8

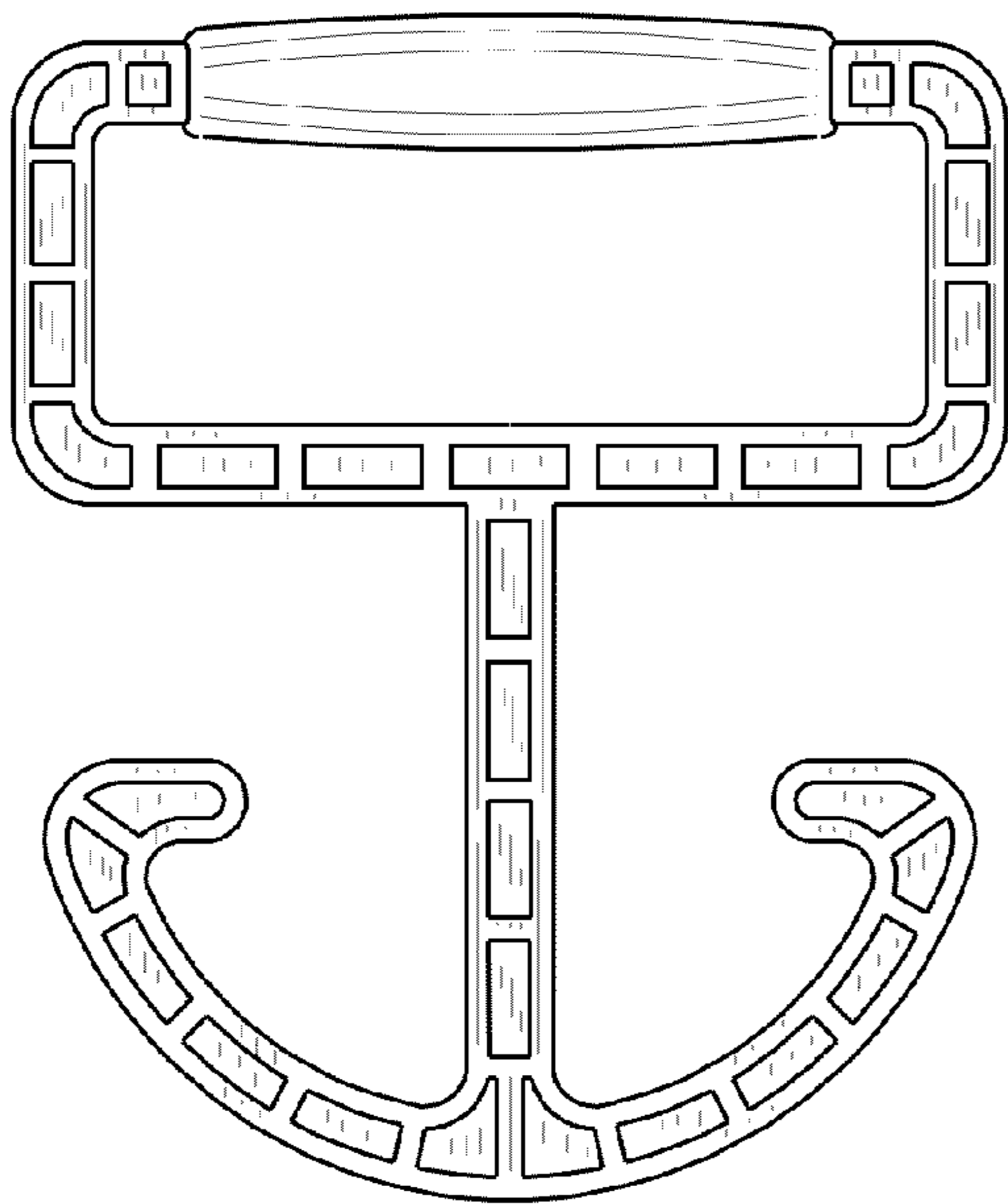


FIG. 7



FIG. 9



FIG. 10