



US00D702118S

(12) **United States Design Patent**
Gianoli et al.

(10) **Patent No.:** **US D702,118 S**

(45) **Date of Patent:** **** Apr. 8, 2014**

(54) **PACKAGE FOR A DOOR HARDWARE KIT**

(71) Applicant: **Hampton Products International Corporation**, Foothill Ranch, CA (US)

(72) Inventors: **Emily B. Gianoli**, Rice Lake, WI (US); **Kevin M. Rothstein**, Rice Lake, WI (US); **Kari Jo Hoffman**, Shell Lake, WI (US); **Jason L. Quinn**, Spooner, WI (US)

(73) Assignee: **Hampton Products International Corporation**, Foothill Ranch, CA (US)

(**) Term: **14 Years**

(21) Appl. No.: **29/452,491**

(22) Filed: **Apr. 17, 2013**

(51) **LOC (10) Cl.** **09-03**

(52) **U.S. Cl.**
USPC **D9/424**

(58) **Field of Classification Search**
USPC D9/414, 415, 418, 424, 425, 432, 737;
220/669, 375; 206/461-471, 769, 770,
206/775, 776
See application file for complete search history.

(56) **References Cited**

U.S. PATENT DOCUMENTS

3,927,762 A * 12/1975 Zdarsky et al. 206/229
D238,933 S * 2/1976 Thomas D9/425

4,005,776 A * 2/1977 Seeley 206/306
4,175,660 A * 11/1979 Feibelman 206/468
D361,510 S * 8/1995 Jordan et al. D9/415
5,775,516 A * 7/1998 McCumber et al. 206/470
6,131,737 A * 10/2000 Marshall 206/471
D511,680 S * 11/2005 Zaborski D9/415
D569,721 S * 5/2008 Gedanke D9/425
2007/0187264 A1 * 8/2007 Hofte et al. 206/45.24

* cited by examiner

Primary Examiner — Derrick Holland

Assistant Examiner — Lauren Calve

(74) *Attorney, Agent, or Firm* — Klein, O'Neill & Singh, LLP

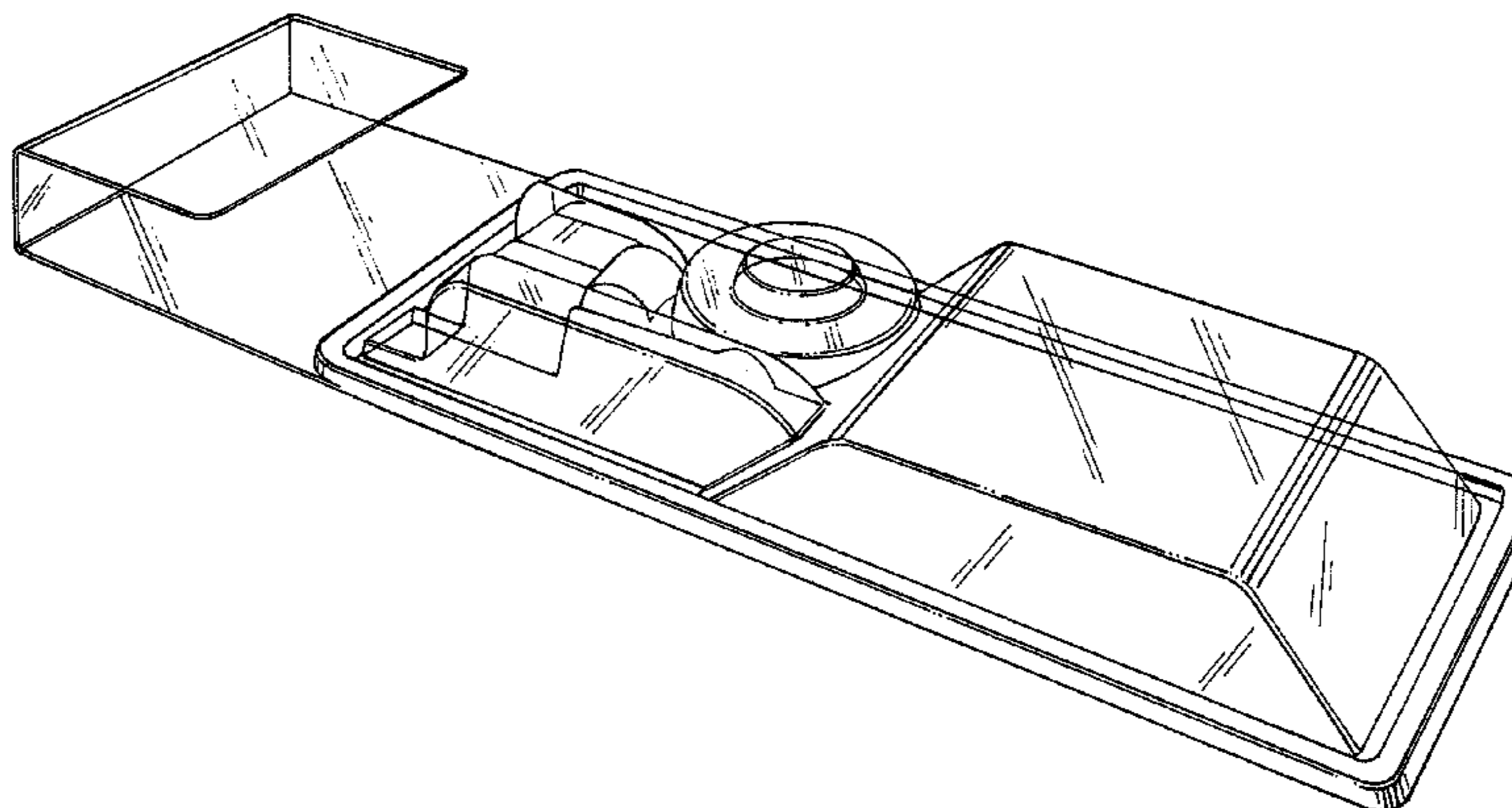
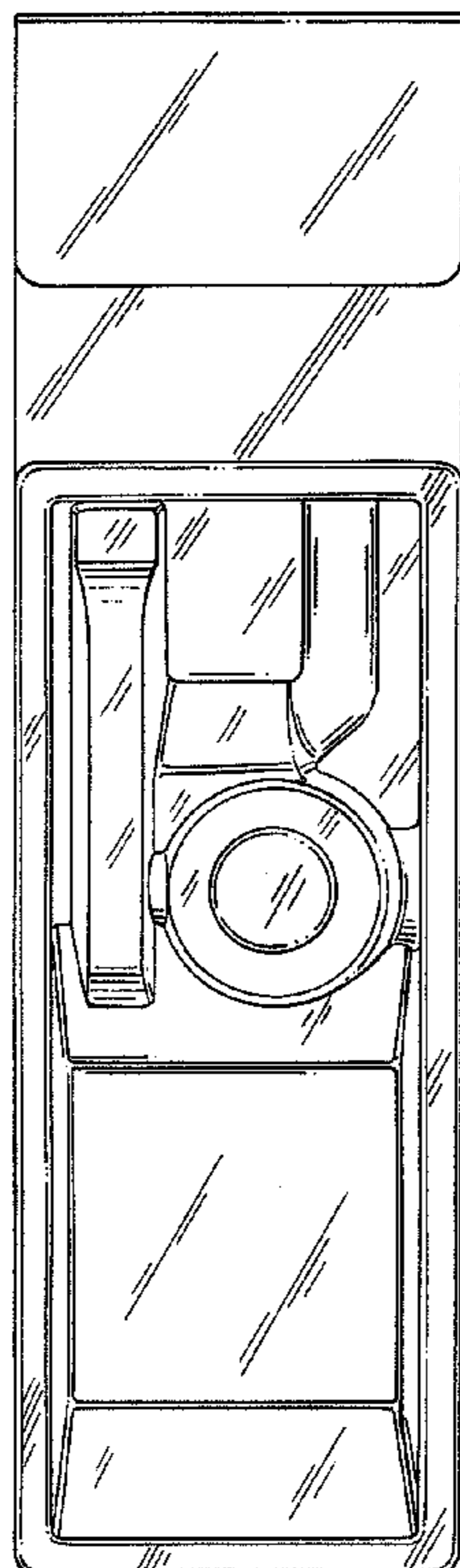
(57) **CLAIM**

The ornamental design for a package for a door hardware kit, as shown.

DESCRIPTION

FIG. 1 is a front elevation view of a package for a door hardware kit, in accordance with our new design;
FIG. 2 is a right side elevation view thereof;
FIG. 3 is a left side elevation view thereof;
FIG. 4 is a rear elevation view thereof;
FIG. 5 is a top plan view thereof;
FIG. 6 is a bottom plan view thereof;
FIG. 7 is a rear, right side perspective view thereof; and,
FIG. 8 is a front, left side perspective view thereof.

1 Claim, 5 Drawing Sheets



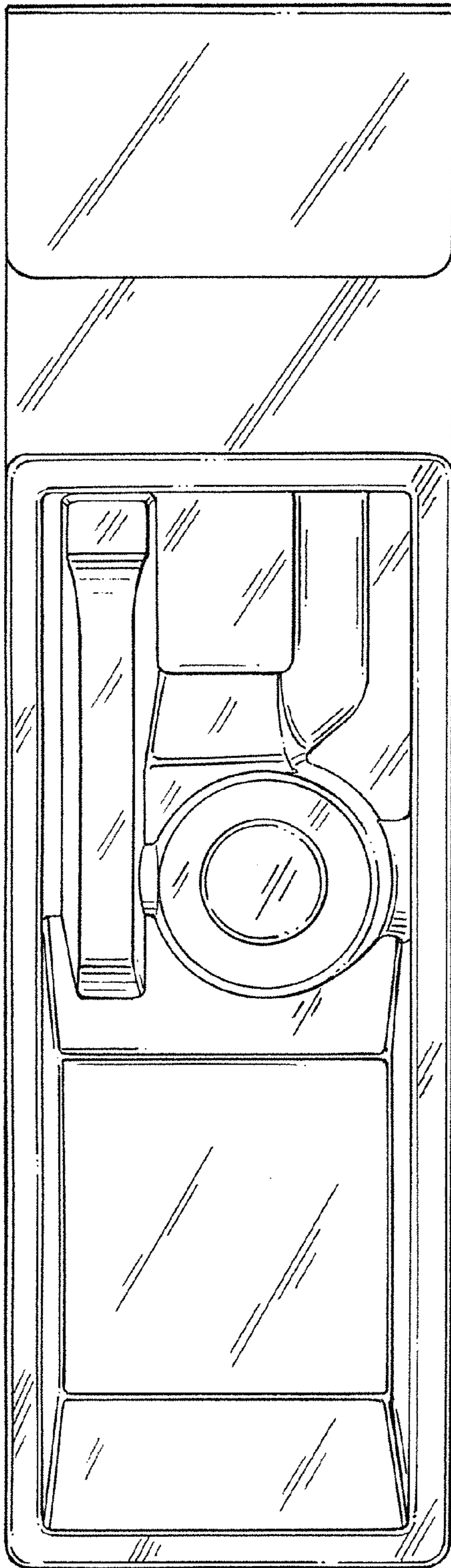


FIG. 1

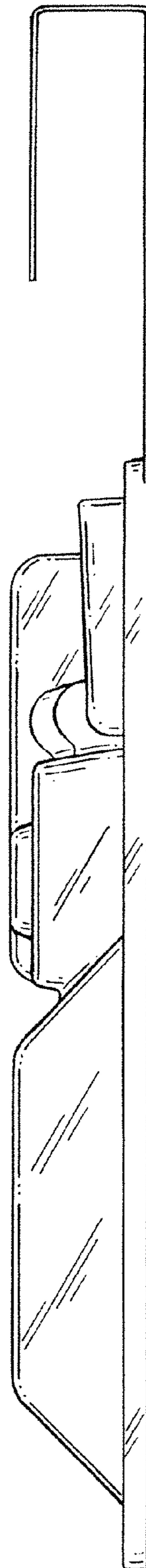


FIG. 2

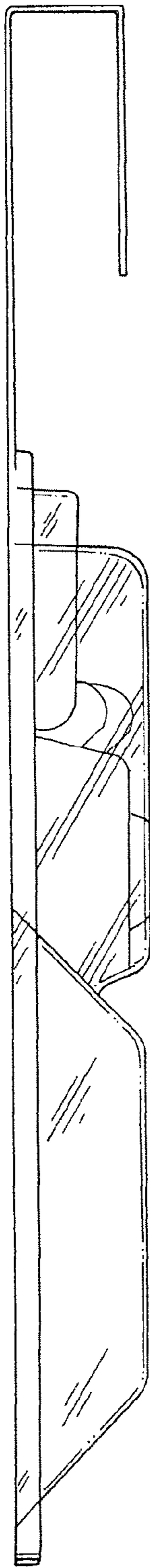


FIG. 3

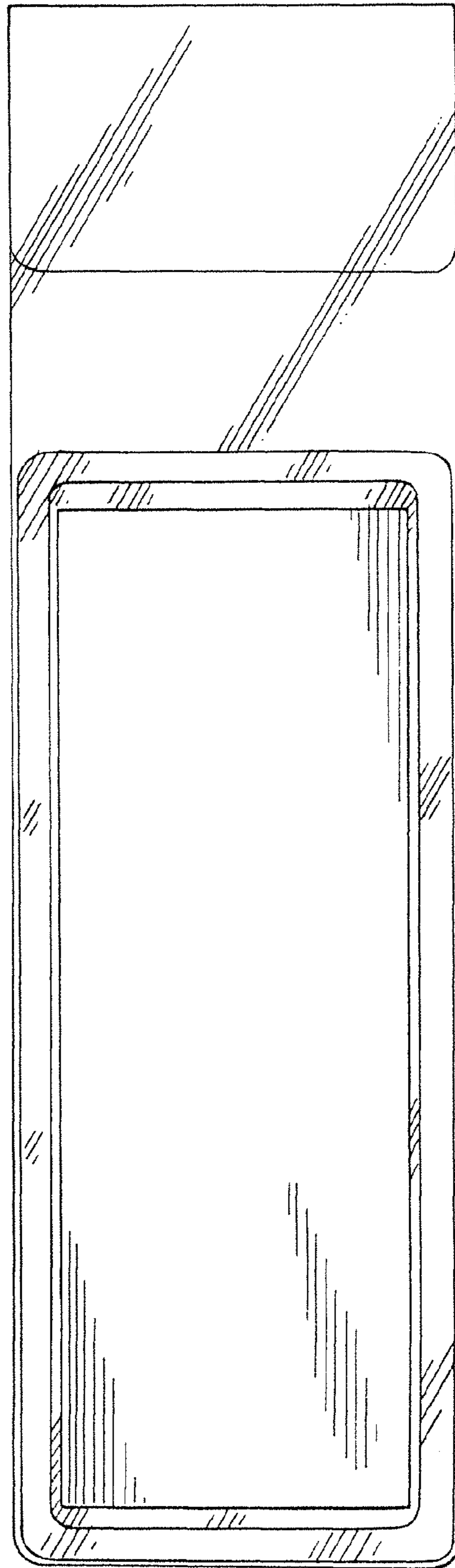


FIG. 4

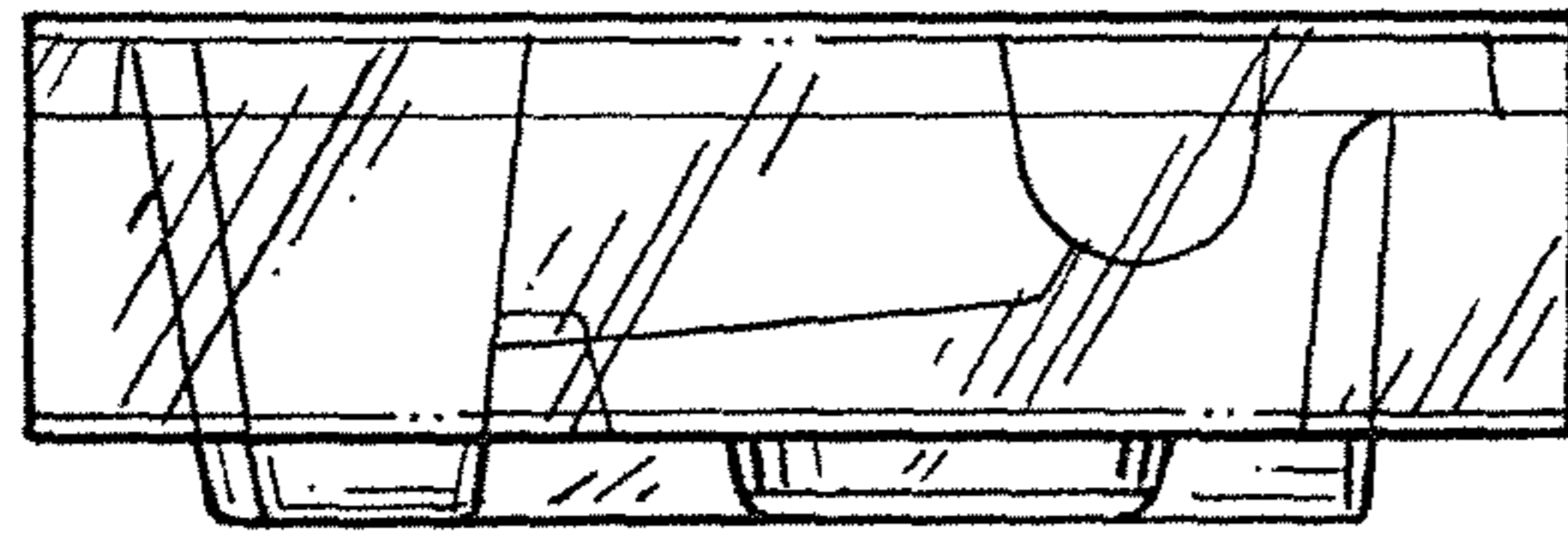


FIG. 5

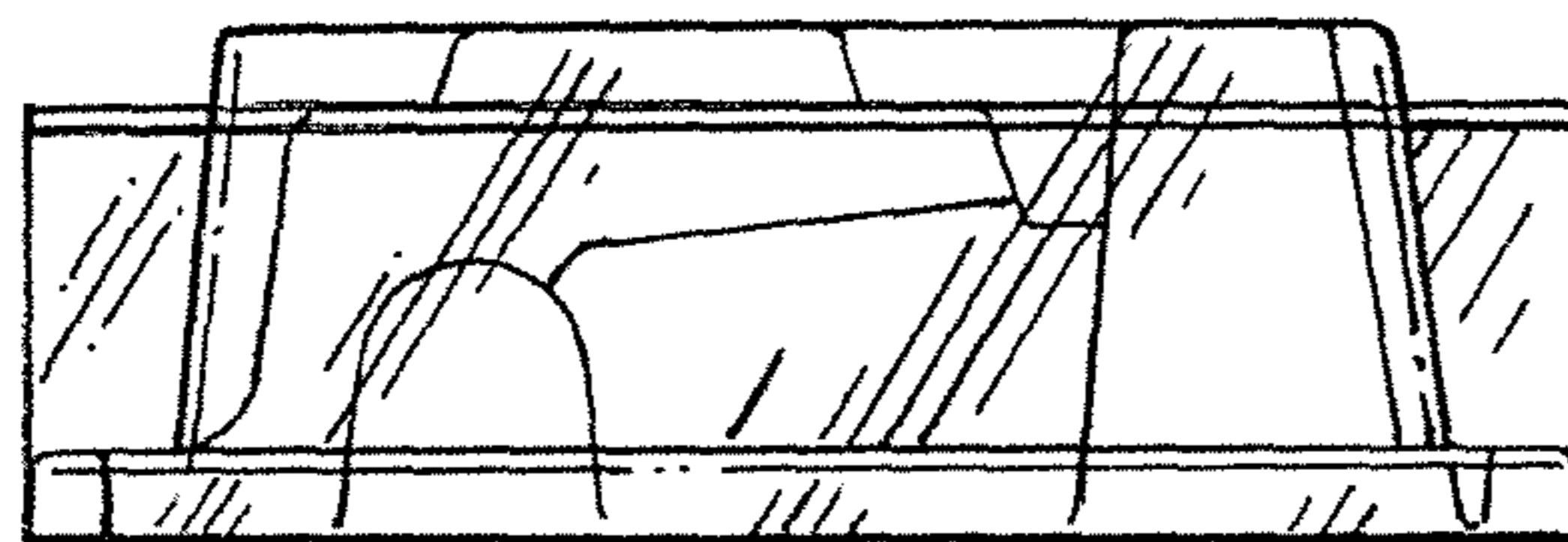


FIG. 6

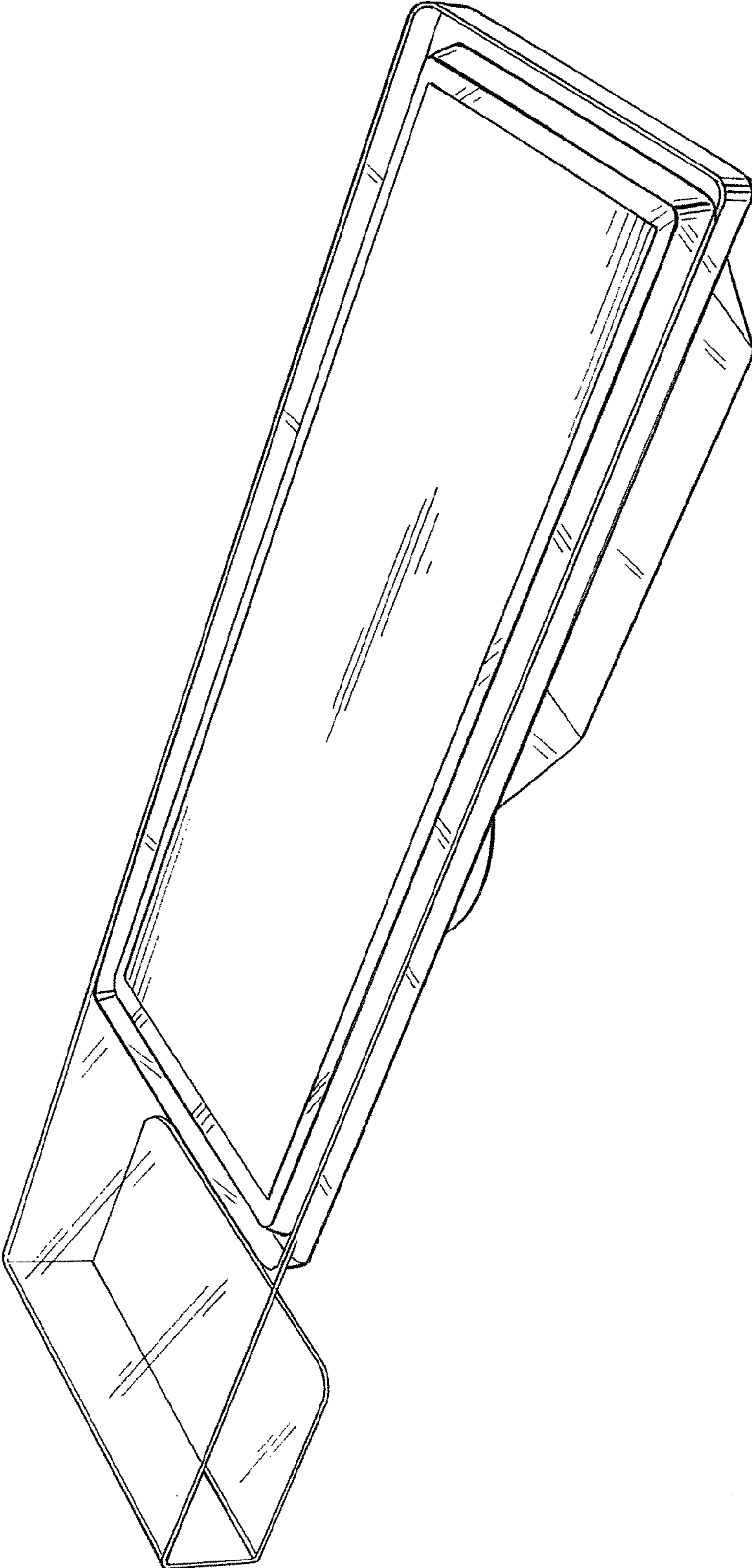


FIG. 7

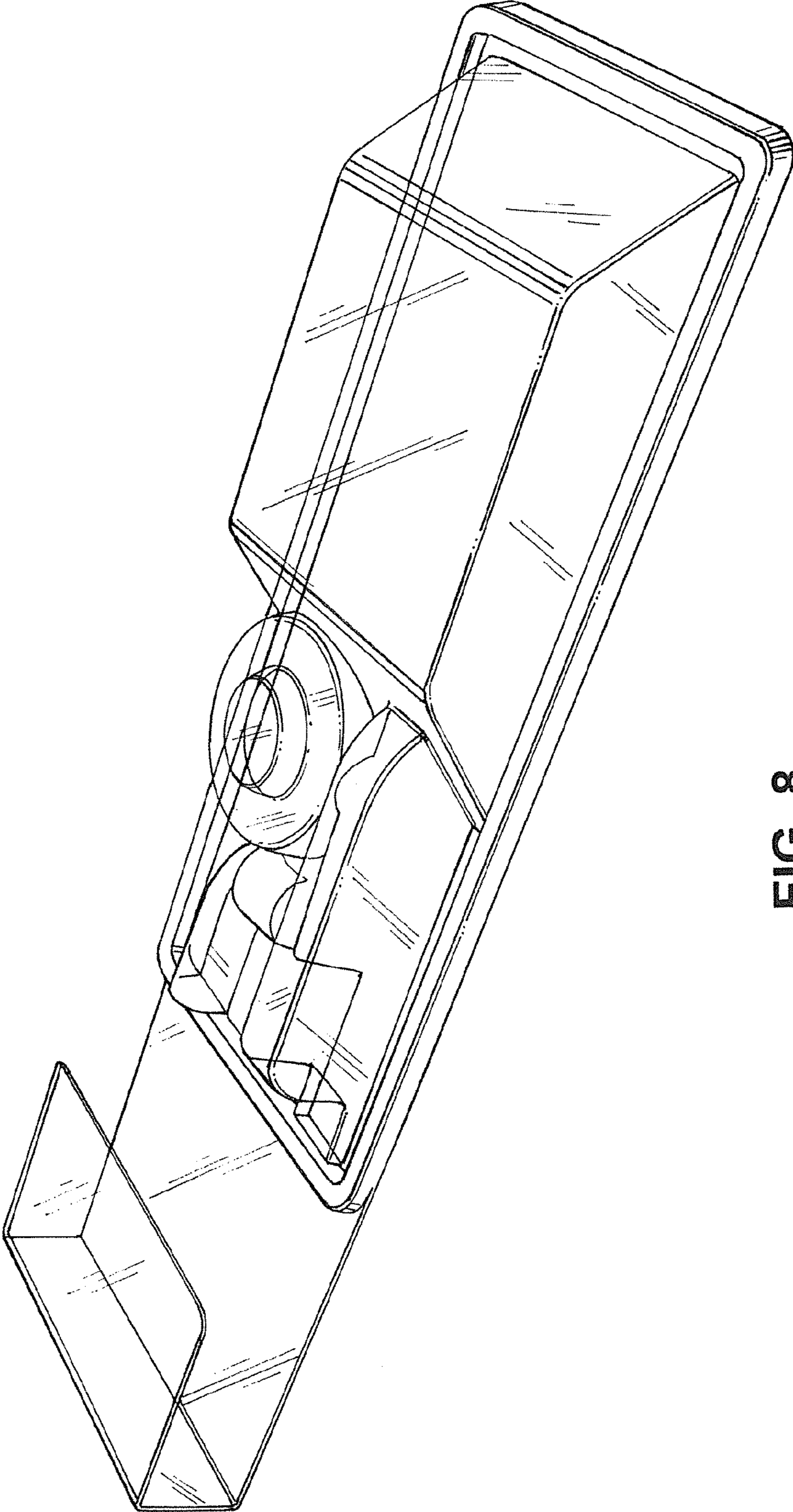


FIG. 8