



US00D702113S

(12) **United States Design Patent**  
**Weger et al.**

(10) **Patent No.:** **US D702,113 S**

(45) **Date of Patent:** **\*\* Apr. 8, 2014**

(54) **CUSHION INSERT FOR A TUBING CLAMP**

(71) Applicant: **ZSI, Inc.**, Canton, MI (US)

(72) Inventors: **Kris Weger**, Plymouth, MI (US); **Marc Craig**, Brighton, MI (US)

(73) Assignee: **ZSI, Inc.**, Canton, MI (US)

(\*\*) Term: **14 Years**

(21) Appl. No.: **29/449,359**

(22) Filed: **Mar. 15, 2013**

(51) **LOC (10) Cl.** ..... **08-08**

(52) **U.S. Cl.**  
USPC ..... **D8/396**

(58) **Field of Classification Search**  
USPC ..... D8/394-396, 356, 383; 24/16 PB,  
24/17 AP, 30.5 P, 30.5 S, 300-302, 339,  
24/DIG. 16; 248/58, 60, 74.3  
See application file for complete search history.

(56) **References Cited**

U.S. PATENT DOCUMENTS

D30,441 S *	3/1899	Wahlert	.....	D8/396
2,470,811 A *	5/1949	Engleman	.....	40/658
D188,377 S *	7/1960	Martin	.....	D13/152
D239,364 S *	3/1976	Mooney et al.	.....	D8/396
D267,810 S *	2/1983	Orsos	.....	D20/43
D270,329 S *	8/1983	Hardy	.....	D8/395
D380,145 S *	6/1997	Rumpel	.....	D8/395
D414,399 S *	9/1999	Nakamura	.....	D8/356
D414,405 S *	9/1999	Tompkins	.....	D8/396
D428,326 S *	7/2000	Nakamura	.....	D8/356
D448,657 S *	10/2001	Calvert	.....	D8/396

D500,897 S *	1/2005	Herman et al.	.....	D29/122
D537,334 S *	2/2007	Lee	.....	D8/396
D559,671 S *	1/2008	Baxter et al.	.....	D8/395
D580,262 S *	11/2008	Eason et al.	.....	D8/396
D652,288 S *	1/2012	Mercier	.....	D8/396

\* cited by examiner

*Primary Examiner* — John Windmuller

(74) *Attorney, Agent, or Firm* — Harness, Dickey & Pierce, P.L.C.

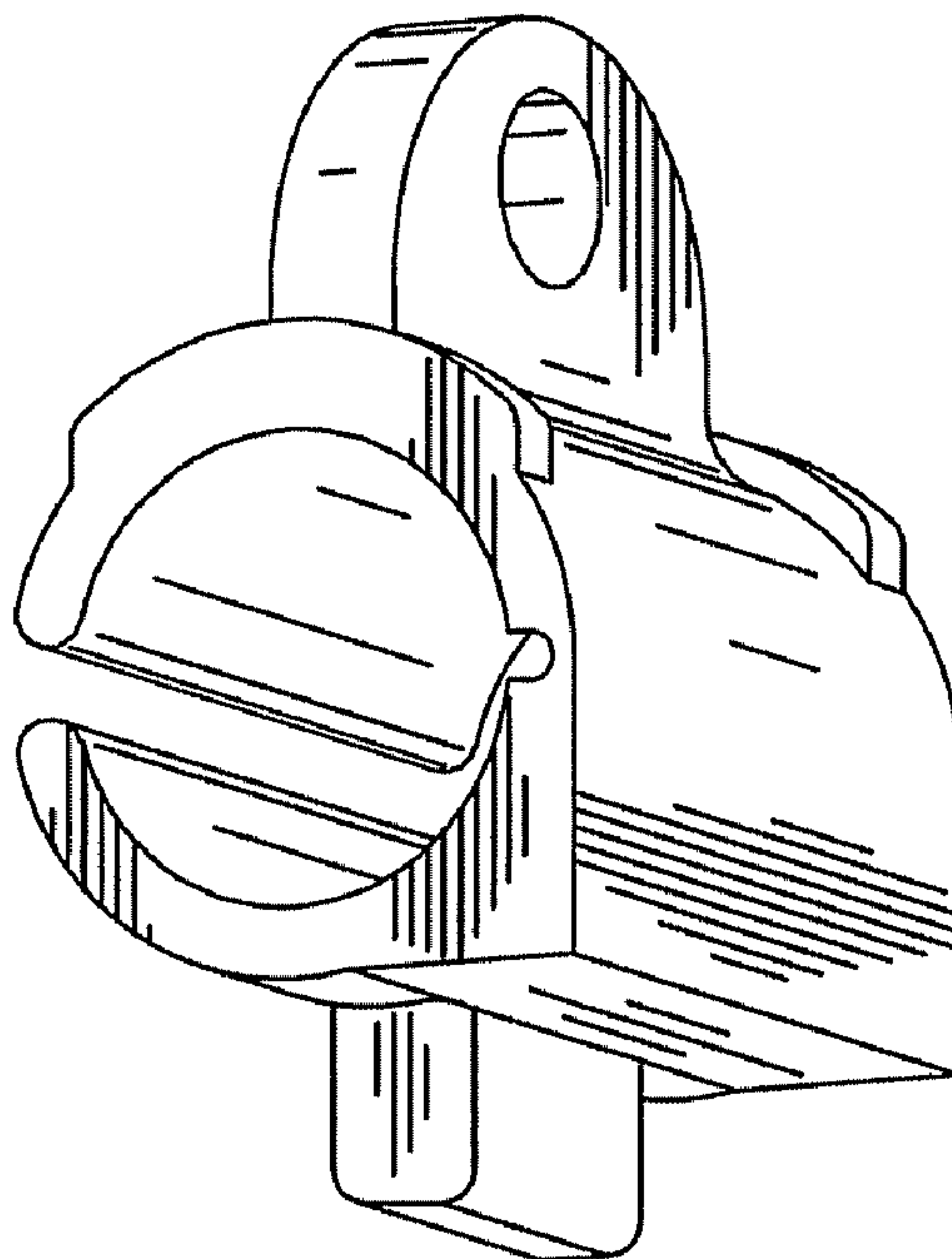
(57) **CLAIM**

The ornamental design for a cushion insert for a tubing clamp, as shown and described.

**DESCRIPTION**

FIG. 1 is a front perspective view of a cushion insert for a tubing clamp shown in the non-operative position; FIG. 2 is a front elevational view of the cushion insert of FIG. 1, the rear view being a mirror image thereof; FIG. 3 is a top plan view of the cushion insert of FIG. 1; FIG. 4 is a right side elevational view of the cushion insert of FIG. 1; FIG. 5 is a left side elevational view of the cushion insert of FIG. 1; FIG. 6 is a bottom plan view of the cushion insert of FIG. 1; and, FIG. 7 is a left side view of the cushion insert of FIG. 1 shown in the operative position for supporting an elongated member. It will be understood that the broken lines shown in FIG. 7 depict environment only and form no part of the claimed design, i.e., the broken lines represent an elongated member in the form of a tube or pipe and portions of clamp halves surrounding the cushion.

**1 Claim, 3 Drawing Sheets**



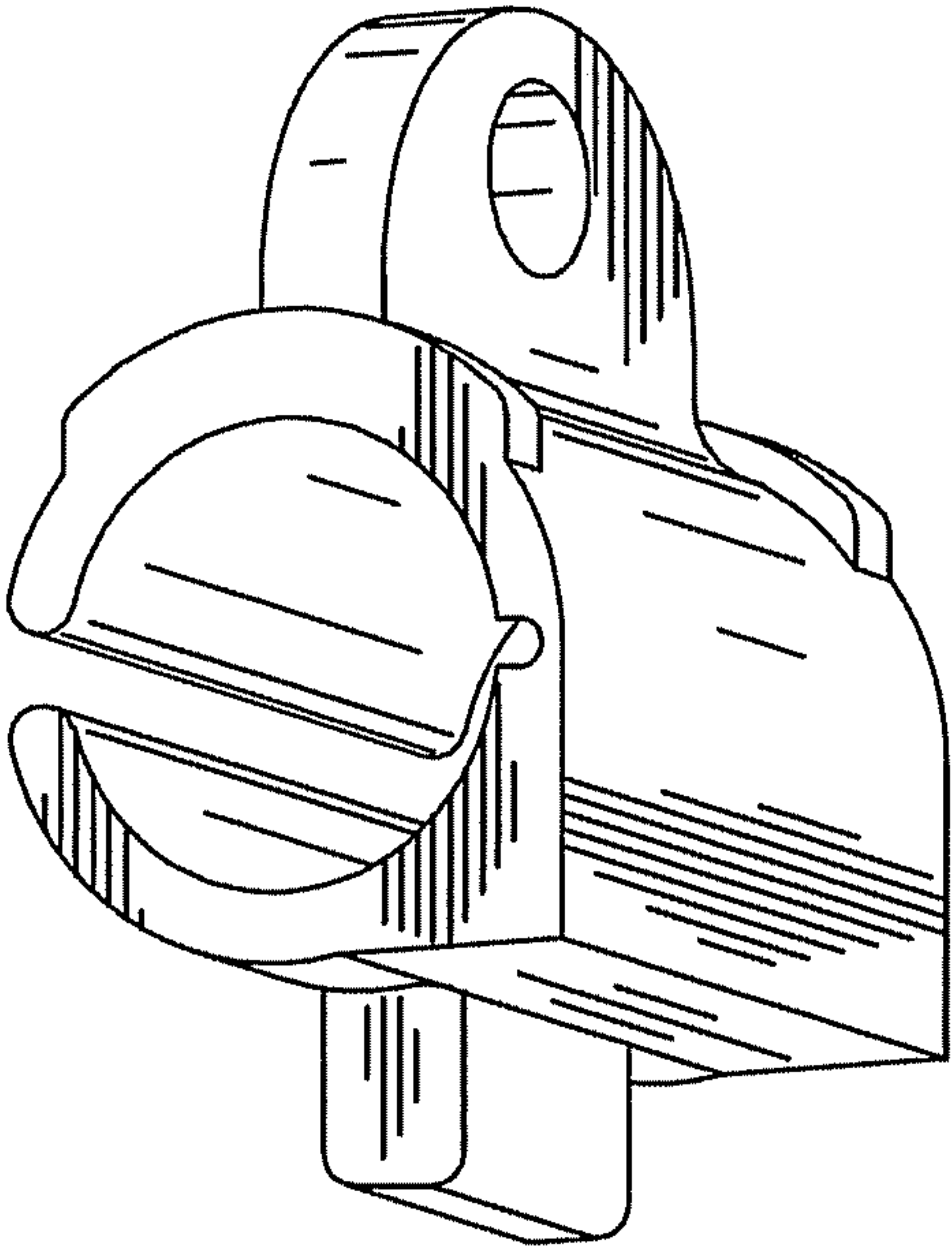


FIG 1

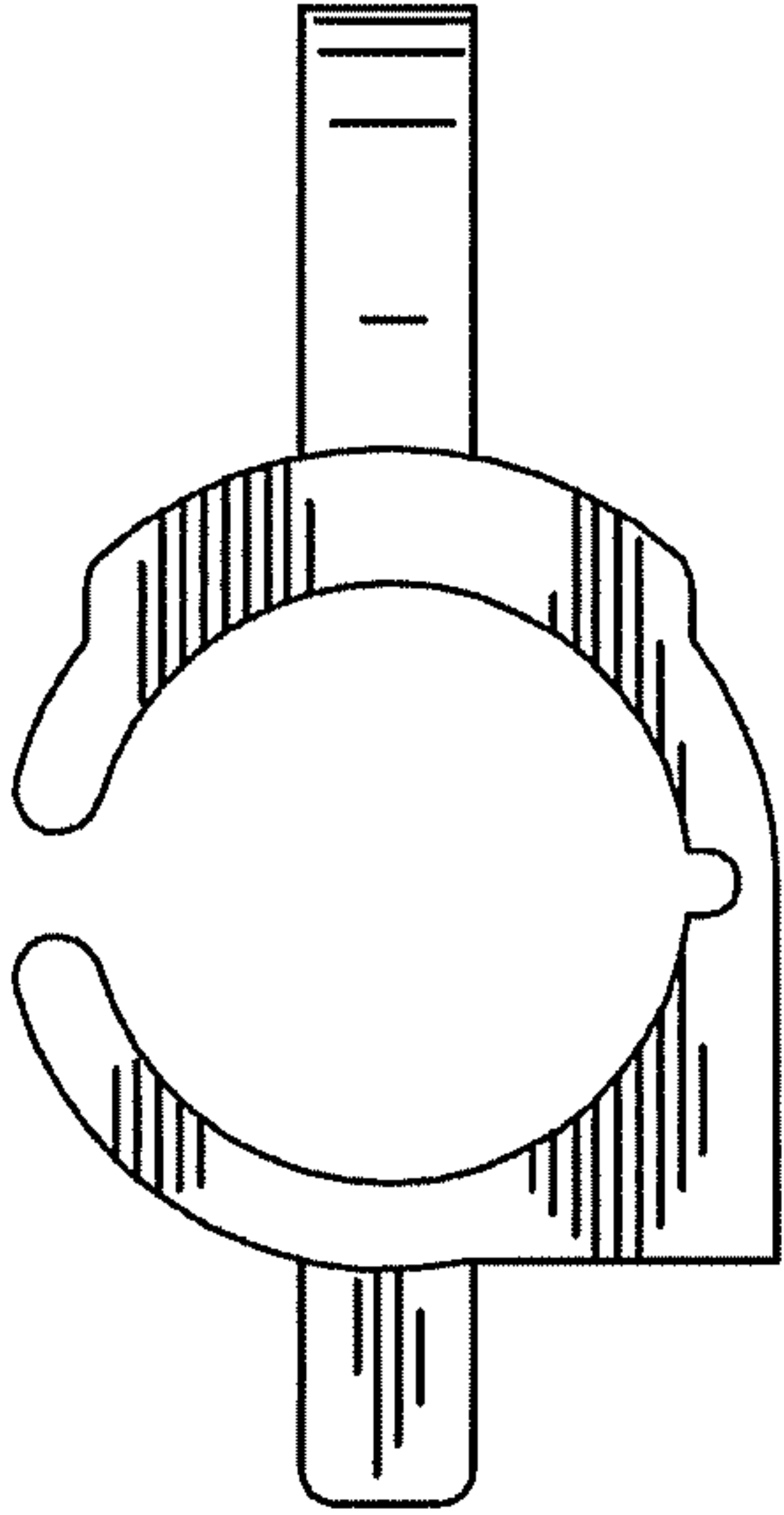


FIG 2

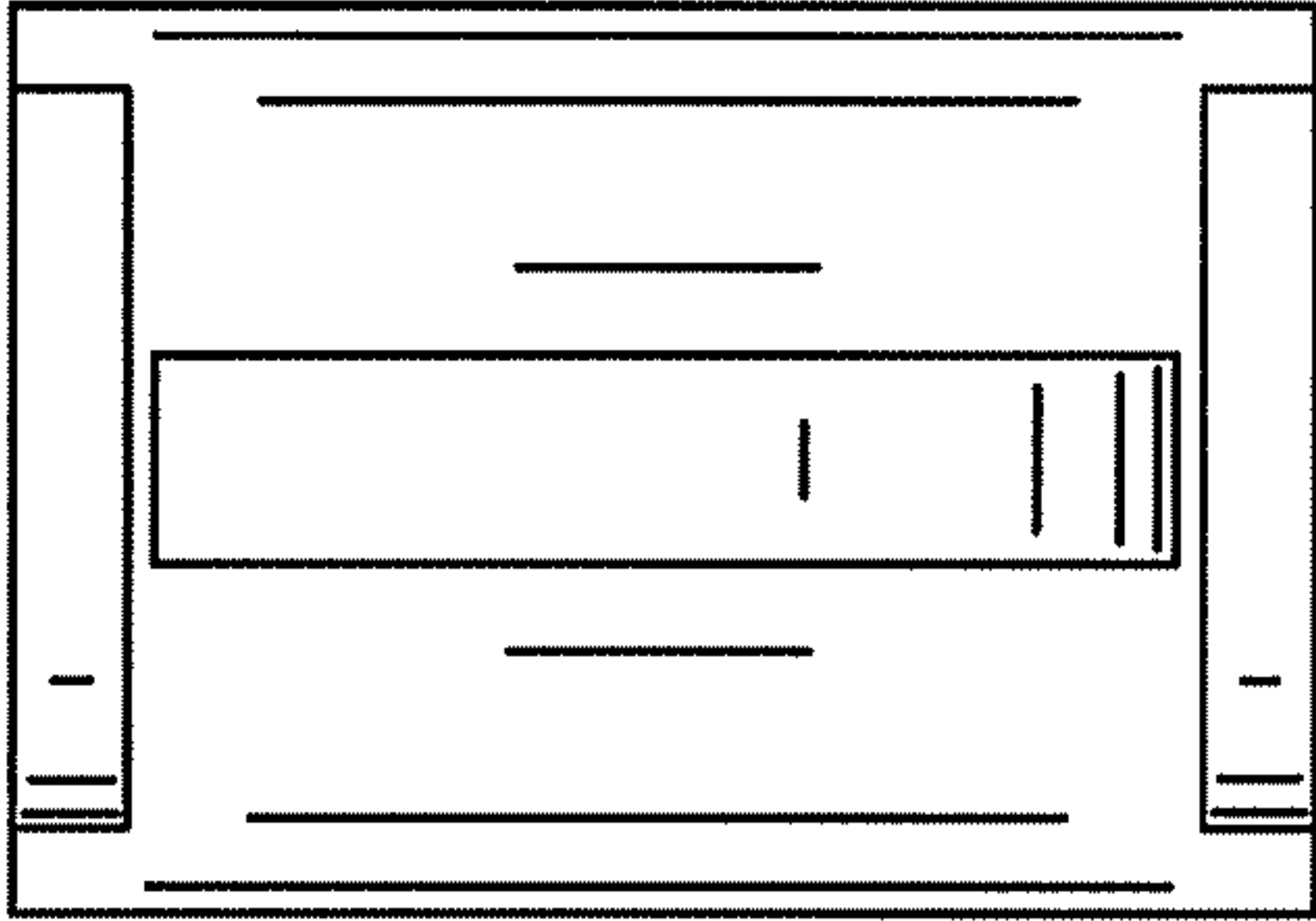


FIG 3

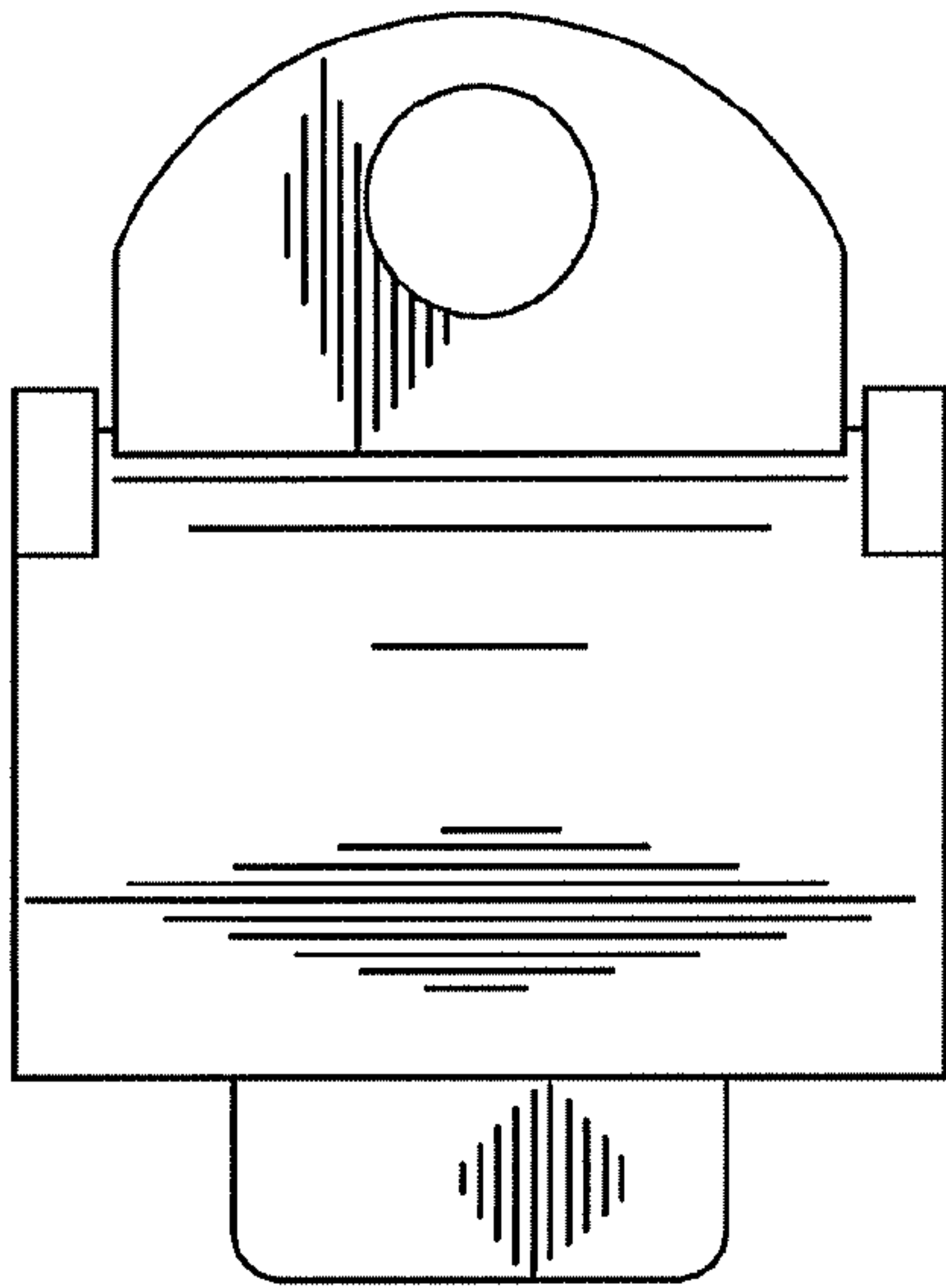


FIG 4

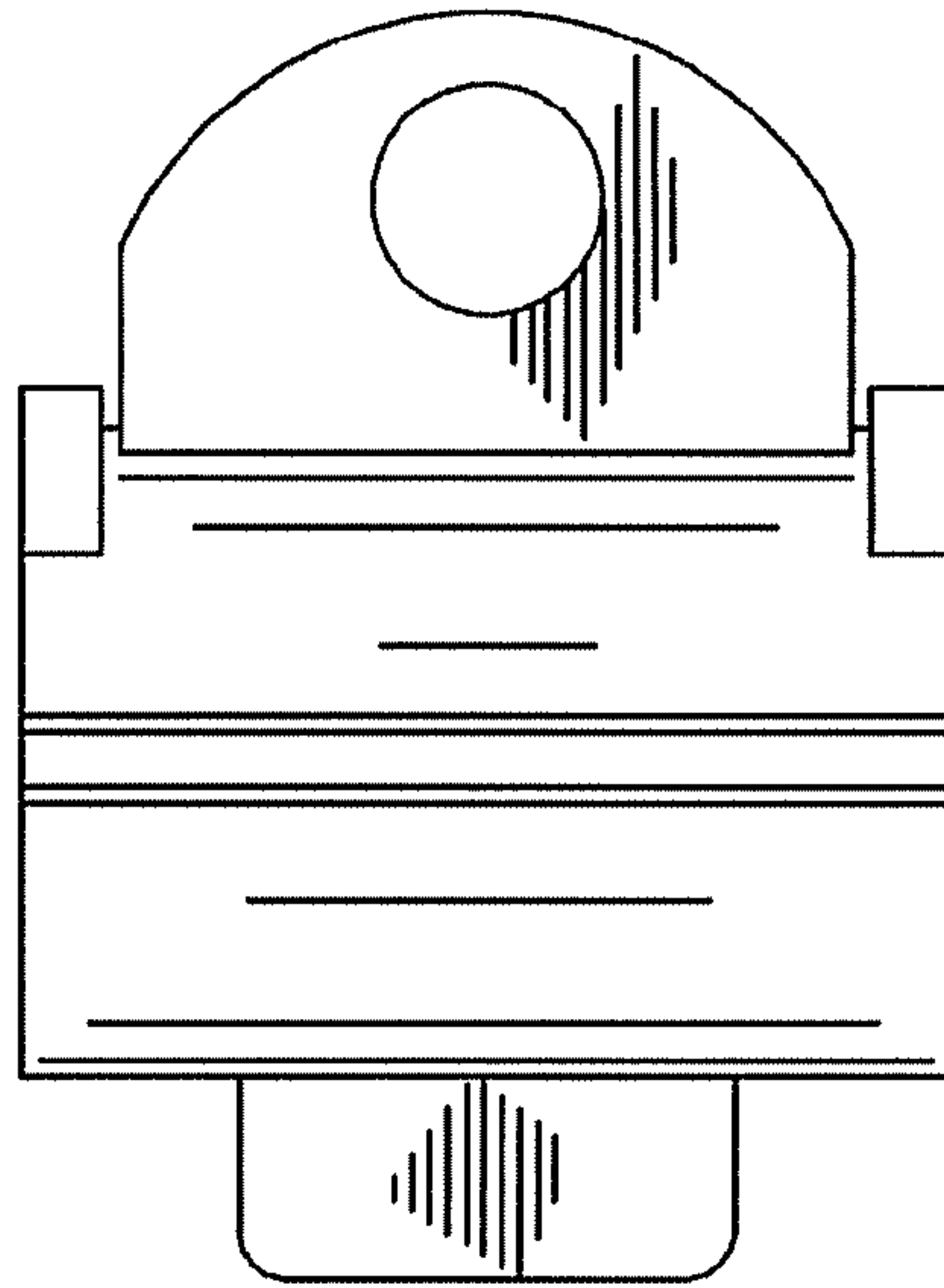


FIG 5

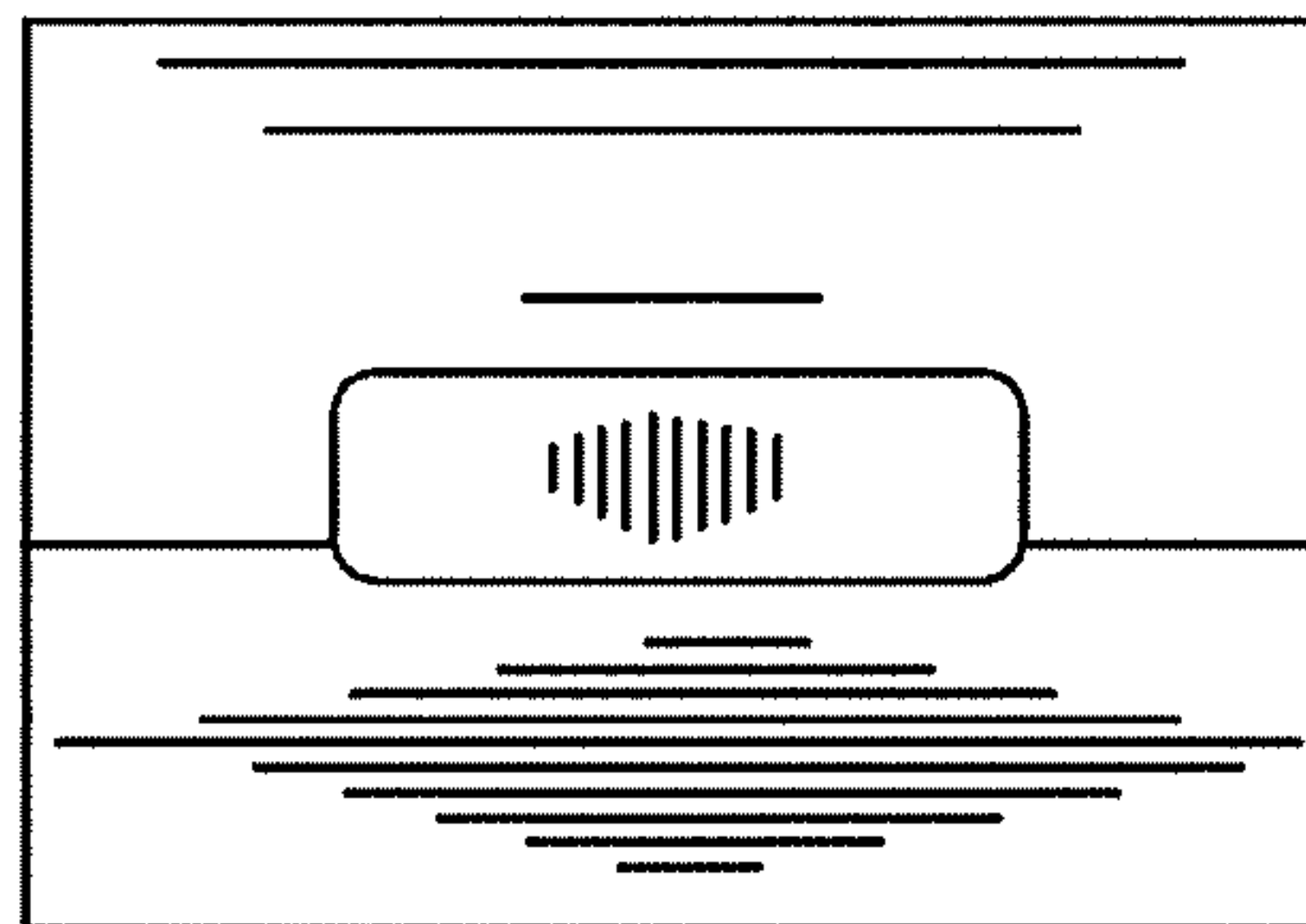


FIG 6

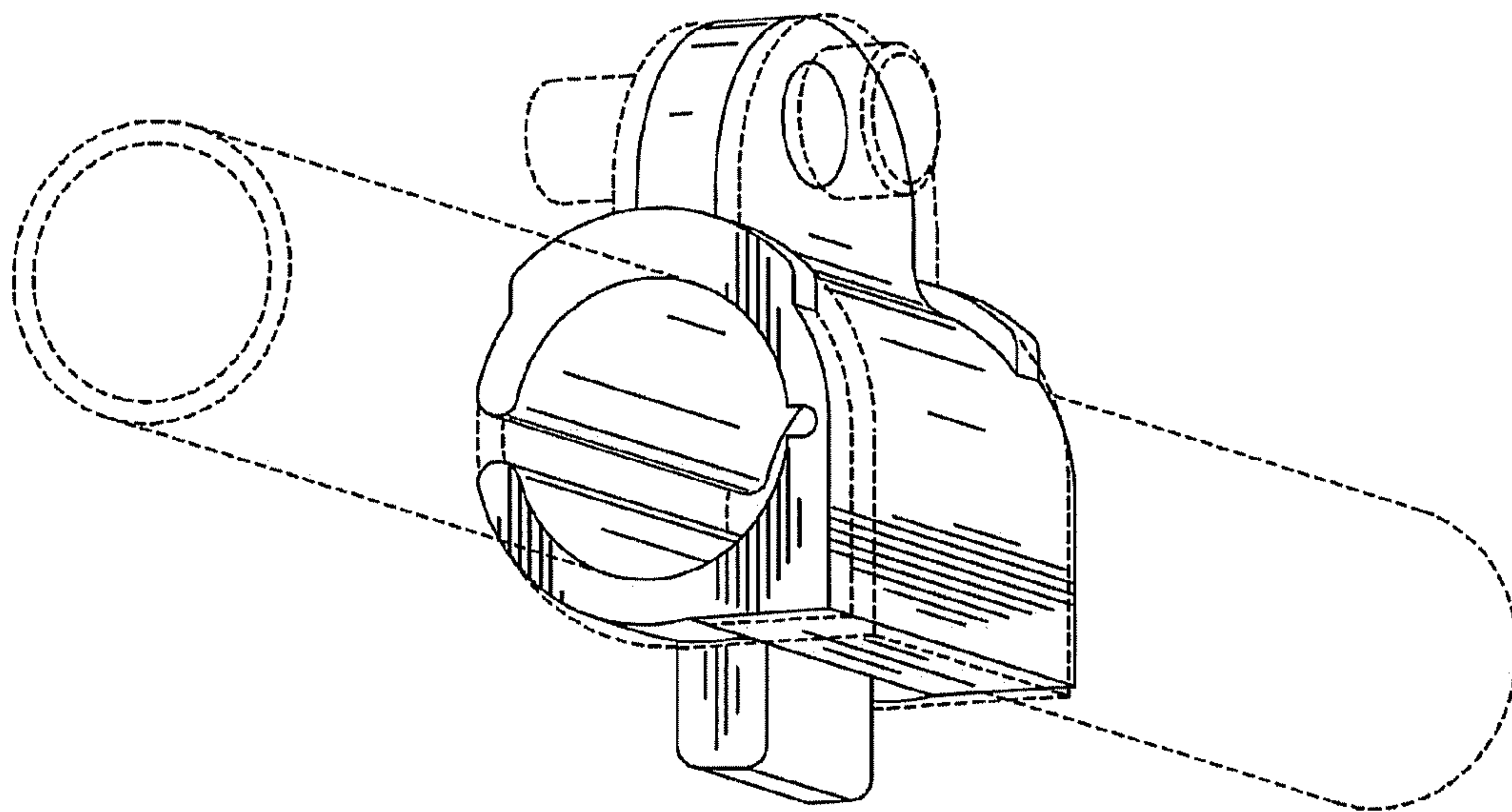


FIG 7