



US00D702109S

(12) **United States Design Patent**
Weinberg

(10) **Patent No.:** **US D702,109 S**

(45) **Date of Patent:** **** Apr. 8, 2014**

- (54) **CORD MANAGEMENT CLIP**
- (75) Inventor: **Robert Weinberg**, Spring Grove, IL
(US)
- (73) Assignee: **Allegiance Corporation**, McGaw Park,
IL (US)
- (**) Term: **14 Years**
- (21) Appl. No.: **29/427,139**
- (22) Filed: **Jul. 13, 2012**
- (51) **LOC (10) Cl.** **08-05**
- (52) **U.S. Cl.**
USPC **D8/356**
- (58) **Field of Classification Search**
USPC 24/592.11, 599.1, 588.1, 601.5, 601,
24/599.9, 598.1, 599.6, 452, 129 R, 600.9;
D8/356, 354, 372, 367, 1, 382, 395;
63/8, 7, 12, 15, 1.14; D12/317;
D6/323; 248/301-304, 175, 63; 70/59;
402/35; 114/218, 114; 294/137, 158,
294/82.19; 410/101; 182/3; D11/210;
D9/752; D19/32; D3/207
See application file for complete search history.

| | | | | | | |
|--------------|----|---|---------|---------------|-------|-----------|
| D493,092 | S | * | 7/2004 | Kalat | | D8/367 |
| 7,214,171 | B2 | * | 5/2007 | Thelen et al. | | 482/124 |
| D577,574 | S | * | 9/2008 | Liang | | D8/367 |
| D594,738 | S | * | 6/2009 | Kelleghan | | D8/356 |
| D603,293 | S | * | 11/2009 | Merriam-Smith | | D11/200 |
| D607,712 | S | * | 1/2010 | Kelleghan | | D8/356 |
| D612,710 | S | * | 3/2010 | Kelleghan | | D8/356 |
| D626,393 | S | * | 11/2010 | Ormsbee | | D8/34 |
| D631,332 | S | * | 1/2011 | Bauer et al. | | D8/367 |
| D631,333 | S | * | 1/2011 | Bauer et al. | | D8/367 |
| D637,473 | S | * | 5/2011 | Mitchell | | D8/336 |
| D646,556 | S | * | 10/2011 | Kelleghan | | D8/356 |
| D669,764 | S | * | 10/2012 | Kelleghan | | D8/356 |
| D684,845 | S | * | 6/2013 | Wood | | D8/356 |
| D686,058 | S | * | 7/2013 | Paik et al. | | D8/356 |
| D688,118 | S | * | 8/2013 | Hobson | | D8/356 |
| 2005/0087662 | A1 | * | 4/2005 | Jacobs | | 248/339 |
| 2007/0119891 | A1 | * | 5/2007 | Lawrence | | 224/669 |
| 2009/0000086 | A1 | * | 1/2009 | Bing | | 24/592.11 |

* cited by examiner

Primary Examiner — Cynthia Underwood
(74) *Attorney, Agent, or Firm* — Arent Fox LLP

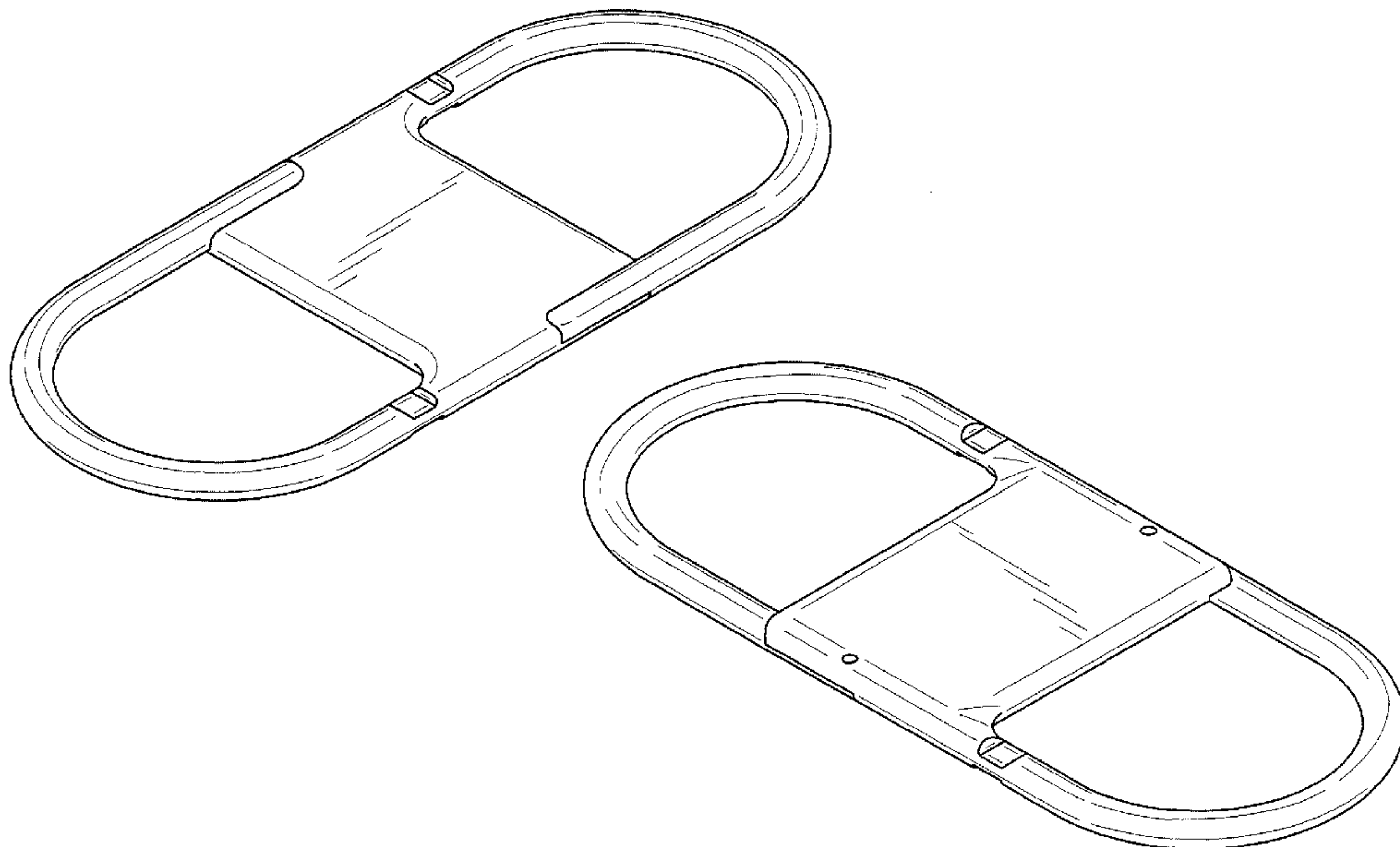
(57) **CLAIM**
The ornamental design for a cord management clip, as shown and described.

DESCRIPTION

FIG. 1 is a top perspective view of a cord management clip showing my new design, according to a first embodiment; FIG. 2 is a bottom perspective view of the design shown in FIG. 1; FIG. 3 is a front view of the design shown in FIG. 1; FIG. 4 is a back view of the design shown in FIG. 1; FIG. 5 is a left side view of the design shown in FIG. 1; FIG. 6 is a right side view of the design shown in FIG. 1; FIG. 7 is a top view of the design shown in FIG. 1; and, FIG. 8 is a bottom view of the design shown in FIG. 1.

1 Claim, 3 Drawing Sheets

- (56) **References Cited**
U.S. PATENT DOCUMENTS
- 437,380 A * 9/1890 Lundborg 24/600.9
- 2,064,133 A * 12/1936 Von Schroeder 248/214
- 3,630,475 A * 12/1971 Barry 248/215
- D244,910 S * 7/1977 Chasen et al. D8/367
- D271,466 S * 11/1983 Boissonnet D8/367
- D292,385 S * 10/1987 Udelhofen D11/210
- D323,104 S * 1/1992 Russell et al. D8/370
- D425,781 S * 5/2000 Hopper D8/382
- D466,791 S * 12/2002 Kelleghan D8/356
- D468,997 S * 1/2003 Chang D8/356



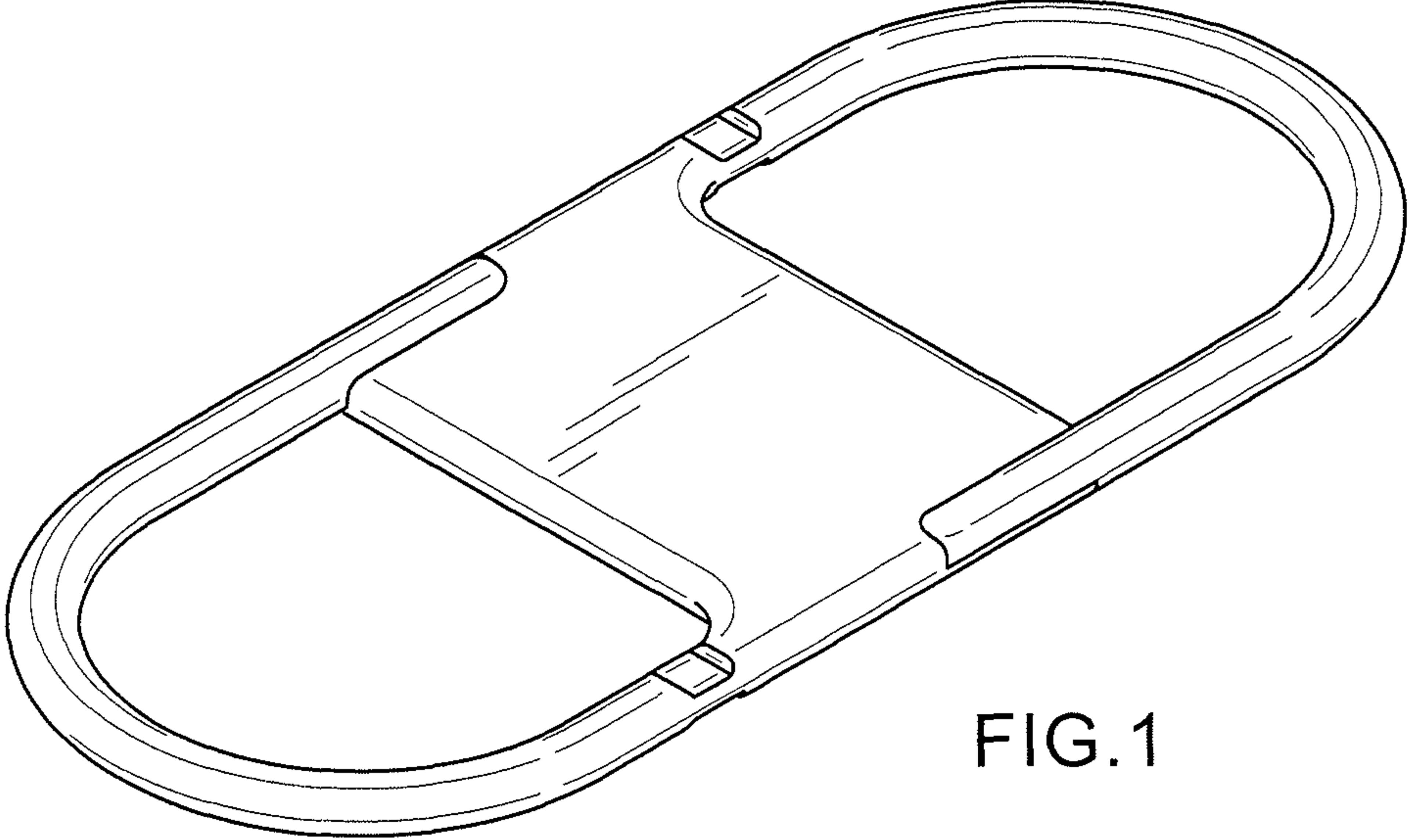


FIG. 1

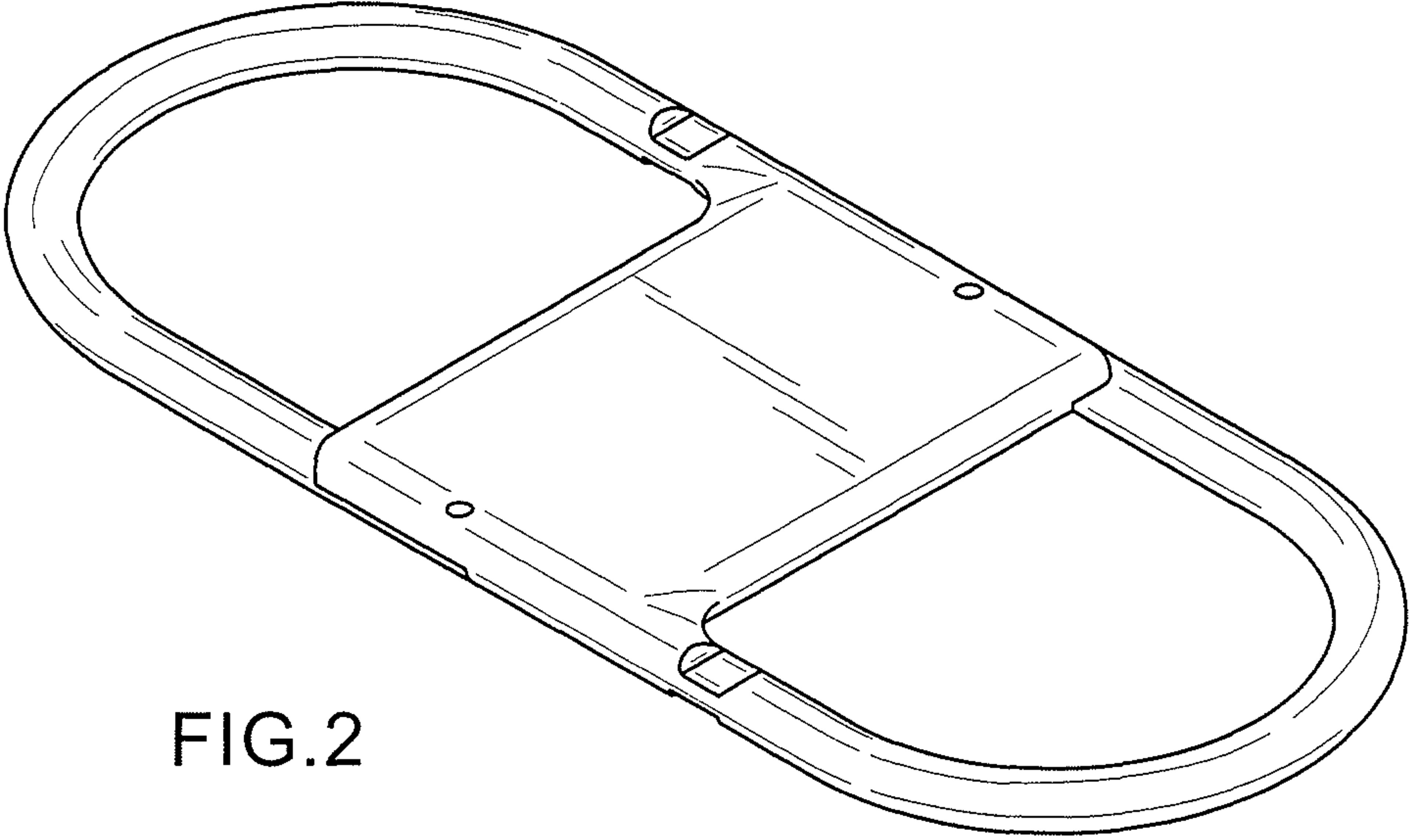


FIG. 2

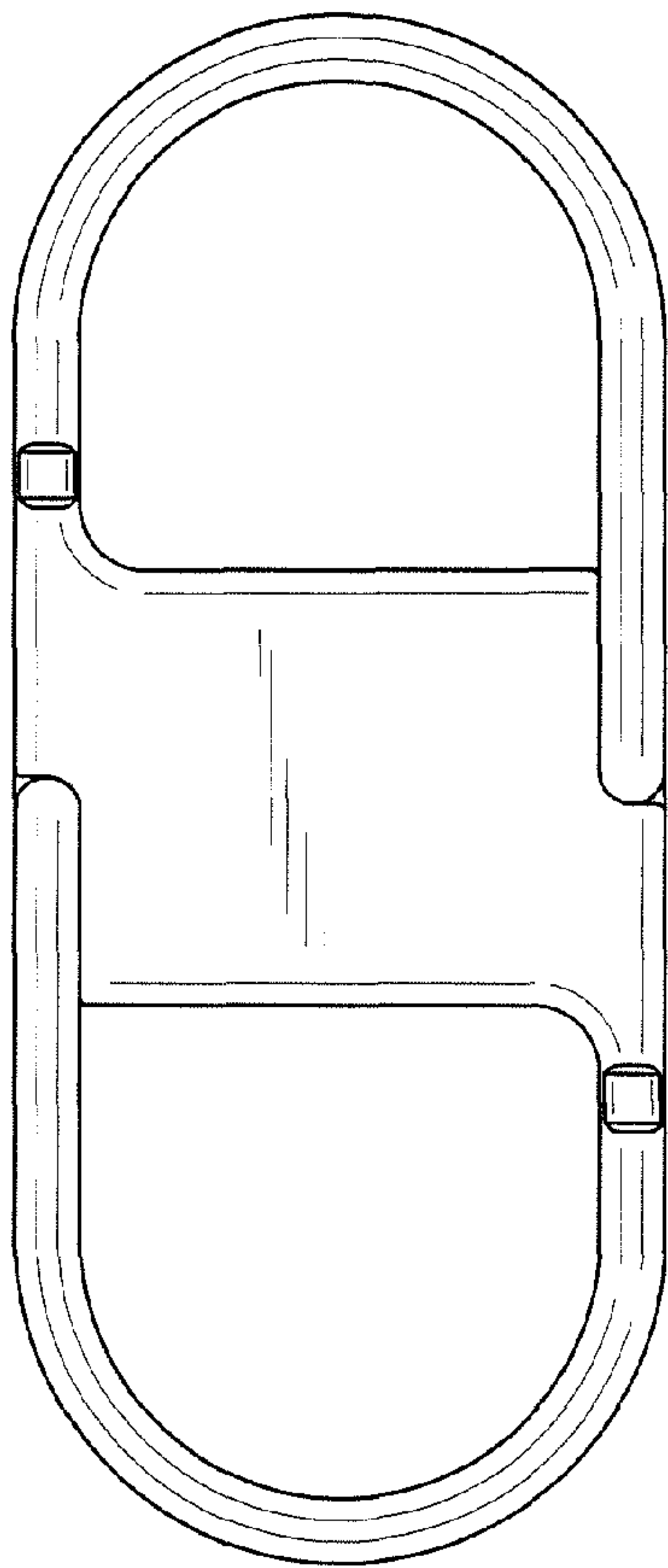


FIG. 3

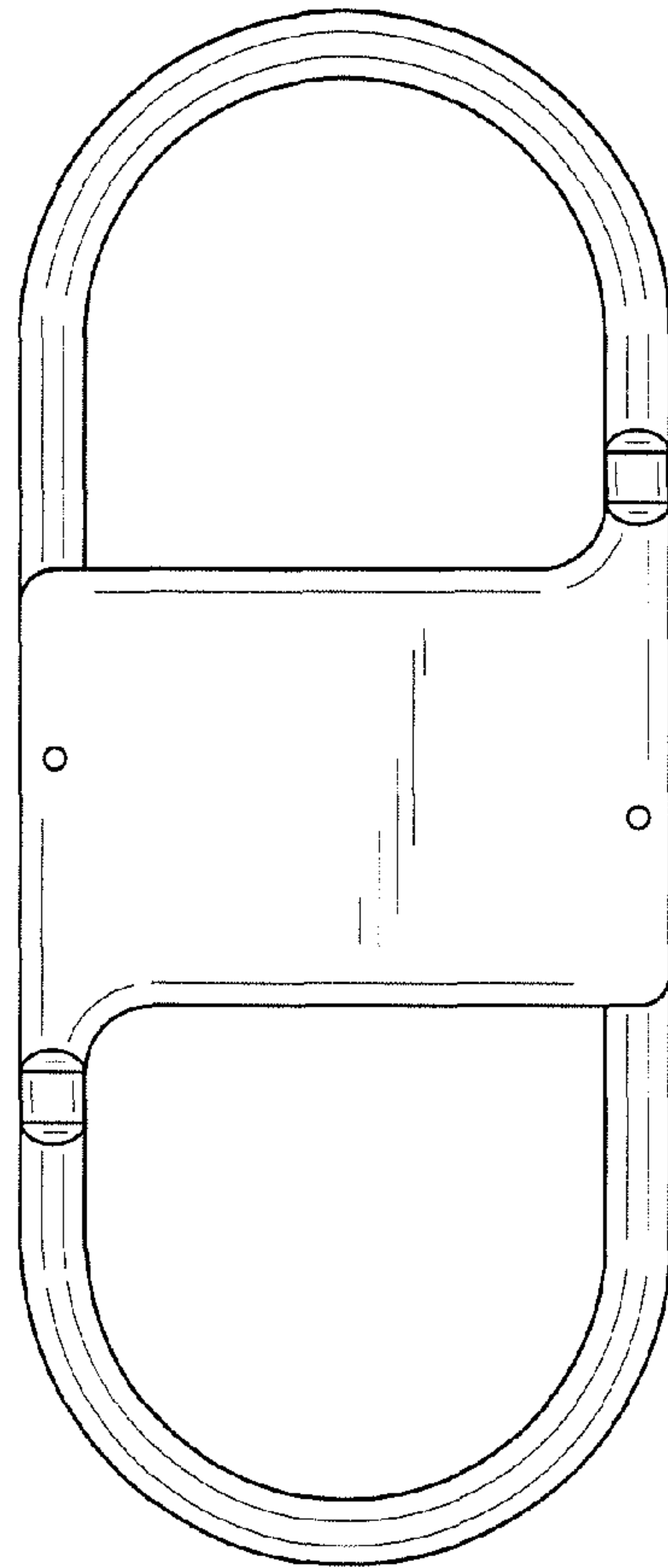


FIG. 4



FIG. 5



FIG. 6

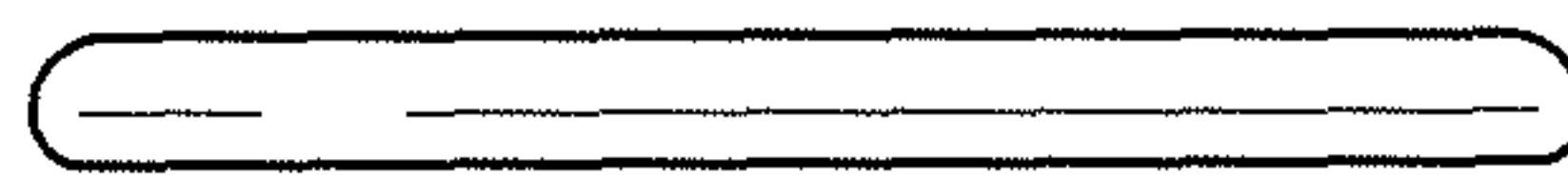


FIG. 7



FIG. 8