



US00D702108S

(12) **United States Design Patent**
Weinberg

(10) **Patent No.:** **US D702,108 S**

(45) **Date of Patent:** **** Apr. 8, 2014**

- (54) **CORD MANAGEMENT CLIP**
- (75) Inventor: **Robert Weinberg**, Spring Grove, IL
(US)
- (73) Assignee: **Allegiance Corporation**, McGaw Park,
IL (US)
- (**) Term: **14 Years**
- (21) Appl. No.: **29/427,137**
- (22) Filed: **Jul. 13, 2012**
- (51) **LOC (10) Cl.** **08-05**
- (52) **U.S. Cl.**
USPC **D8/356**
- (58) **Field of Classification Search**
USPC 24/592.11, 599.1, 588.1, 601.5, 601,
24/599.9, 598.1, 599.6, 452, 129 R, 600.9;
D8/356, 354, 372, 367, 1, 382, 395;
63/8, 7, 12, 15, 1.14; D12/317;
D6/323; 248/301-304, 175, 63; 70/59;
402/35; 114/218, 114; 294/137, 158,
294/82.19; 410/101; 182/3; D11/210;
D9/752; D19/32; D3/207
See application file for complete search history.

D493,092	S	*	7/2004	Kalat	D8/367
7,214,171	B2	*	5/2007	Thelen et al.	482/124
D577,574	S	*	9/2008	Liang	D8/367
D594,738	S	*	6/2009	Kelleghan	D8/356
D603,293	S	*	11/2009	Merriam-Smith	D11/200
D607,712	S	*	1/2010	Kelleghan	D8/356
D612,710	S	*	3/2010	Kelleghan	D8/356
D626,393	S	*	11/2010	Ormsbee	D8/34
D631,332	S	*	1/2011	Bauer et al.	D8/367
D631,333	S	*	1/2011	Bauer et al.	D8/367
D637,473	S	*	5/2011	Mitchell	D8/336
D646,556	S	*	10/2011	Kelleghan	D8/356
D669,764	S	*	10/2012	Kelleghan	D8/356
D684,845	S	*	6/2013	Wood	D8/356
D686,058	S	*	7/2013	Paik et al.	D8/356
D688,118	S	*	8/2013	Hobson	D8/356
2005/0087662	A1	*	4/2005	Jacobs	248/339
2007/0119891	A1	*	5/2007	Lawrence	224/669
2009/0000086	A1	*	1/2009	Bing	24/592.11

* cited by examiner

Primary Examiner — Cynthia Underwood
(74) *Attorney, Agent, or Firm* — Arent Fox LLP

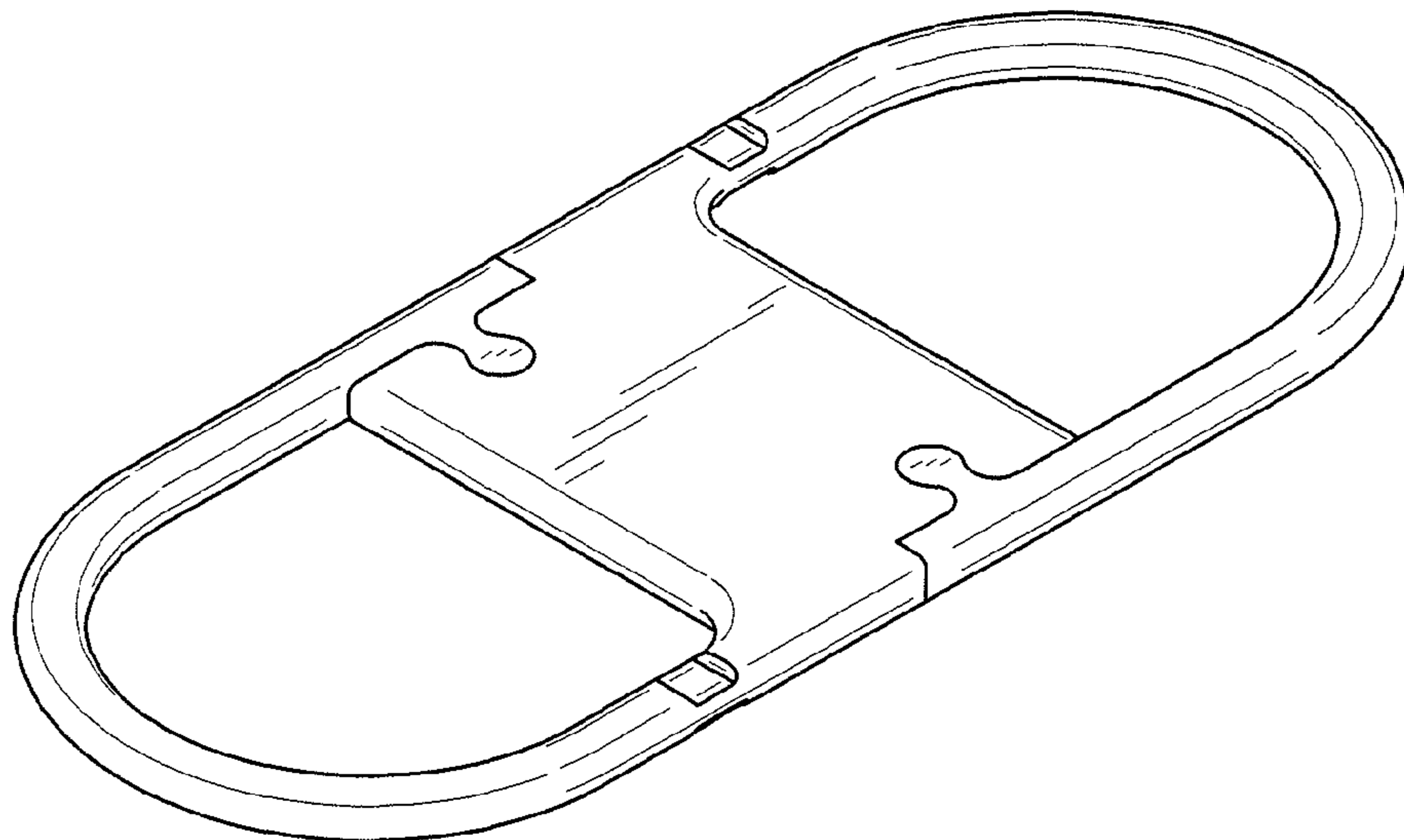
(57) **CLAIM**
The ornamental design for a cord management clip, as shown and described.

DESCRIPTION

FIG. 1 is a top perspective view of a cord management clip showing my new design, according to a first embodiment; FIG. 2 is a bottom perspective view of the design shown in FIG. 1; FIG. 3 is a front view of the design shown in FIG. 1; FIG. 4 is a back view of the design shown in FIG. 1; FIG. 5 is a left side view of the design shown in FIG. 1; FIG. 6 is a right side view of the design shown in FIG. 1; FIG. 7 is a top view of the design shown in FIG. 1; and, FIG. 8 is a bottom view of the design shown in FIG. 1.

1 Claim, 3 Drawing Sheets

- (56) **References Cited**
U.S. PATENT DOCUMENTS
- 437,380 A * 9/1890 Lundborg 24/600.9
- 2,064,133 A * 12/1936 Von Schroeder 248/214
- 3,630,475 A * 12/1971 Barry 248/215
- D244,910 S * 7/1977 Chasen et al. D8/367
- D271,466 S * 11/1983 Boissonnet D8/367
- D292,385 S * 10/1987 Udelhofen D11/210
- D323,104 S * 1/1992 Russell et al. D8/370
- D425,781 S * 5/2000 Hopper D8/382
- D466,791 S * 12/2002 Kelleghan D8/356
- D468,997 S * 1/2003 Chang D8/356



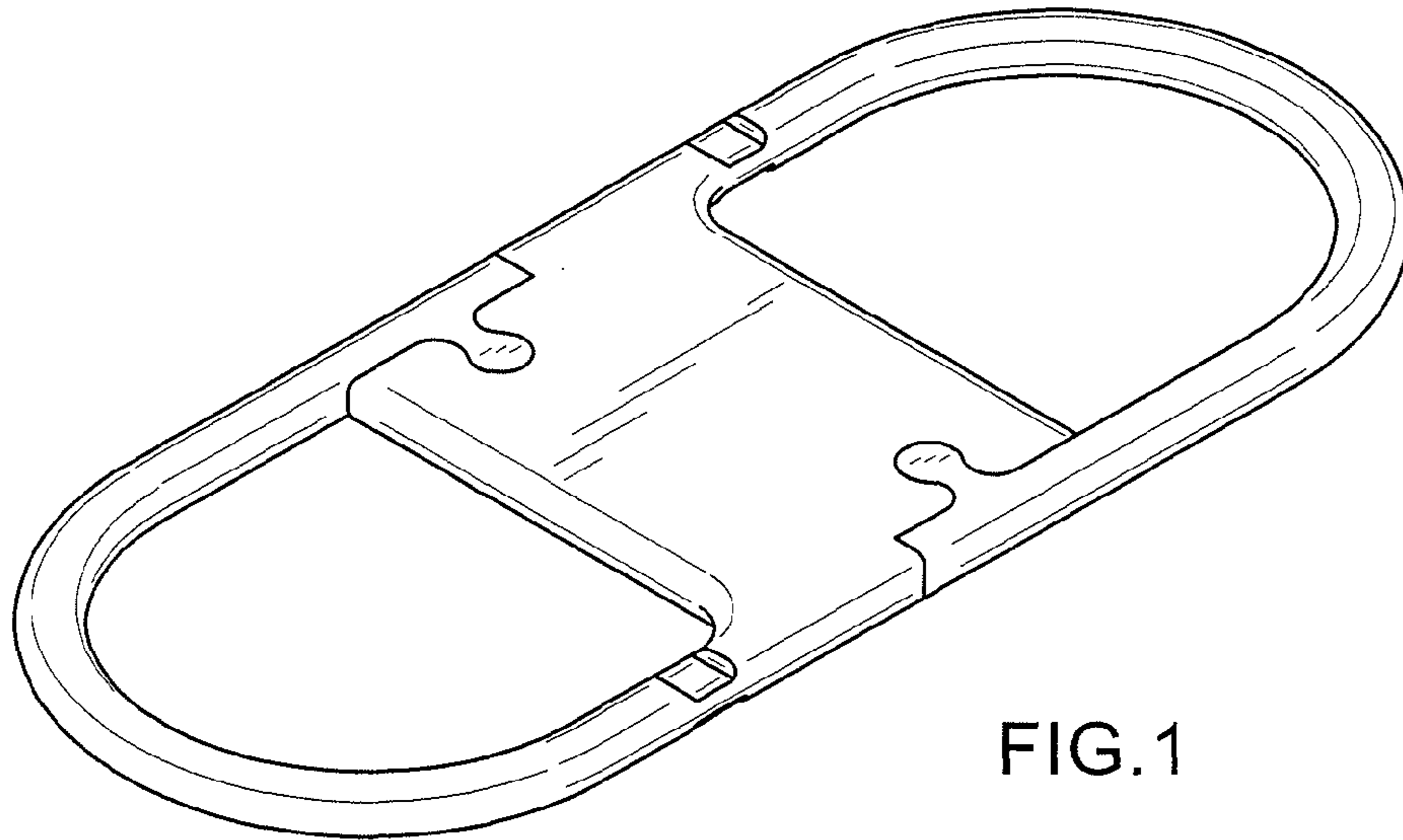


FIG. 1

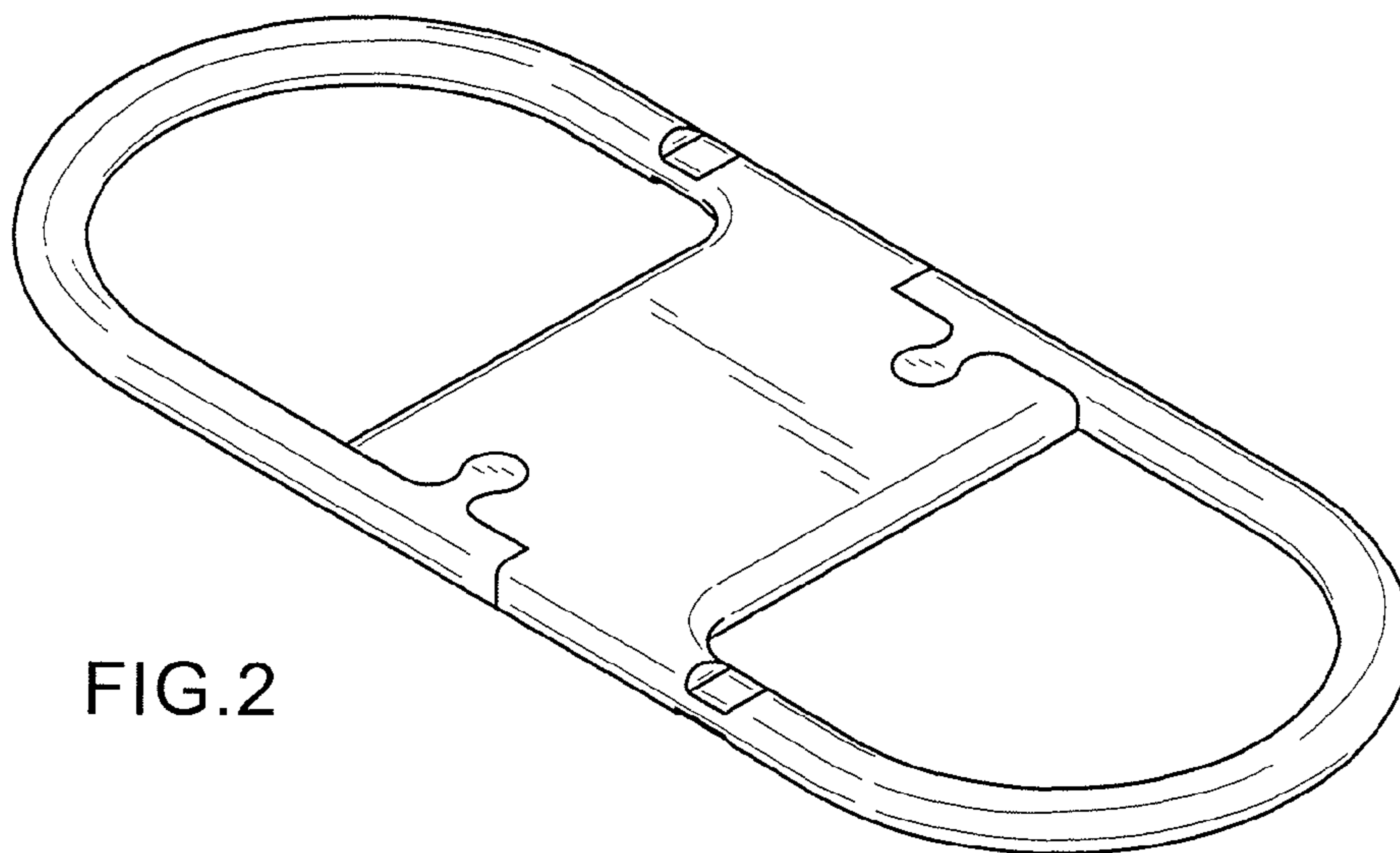


FIG. 2

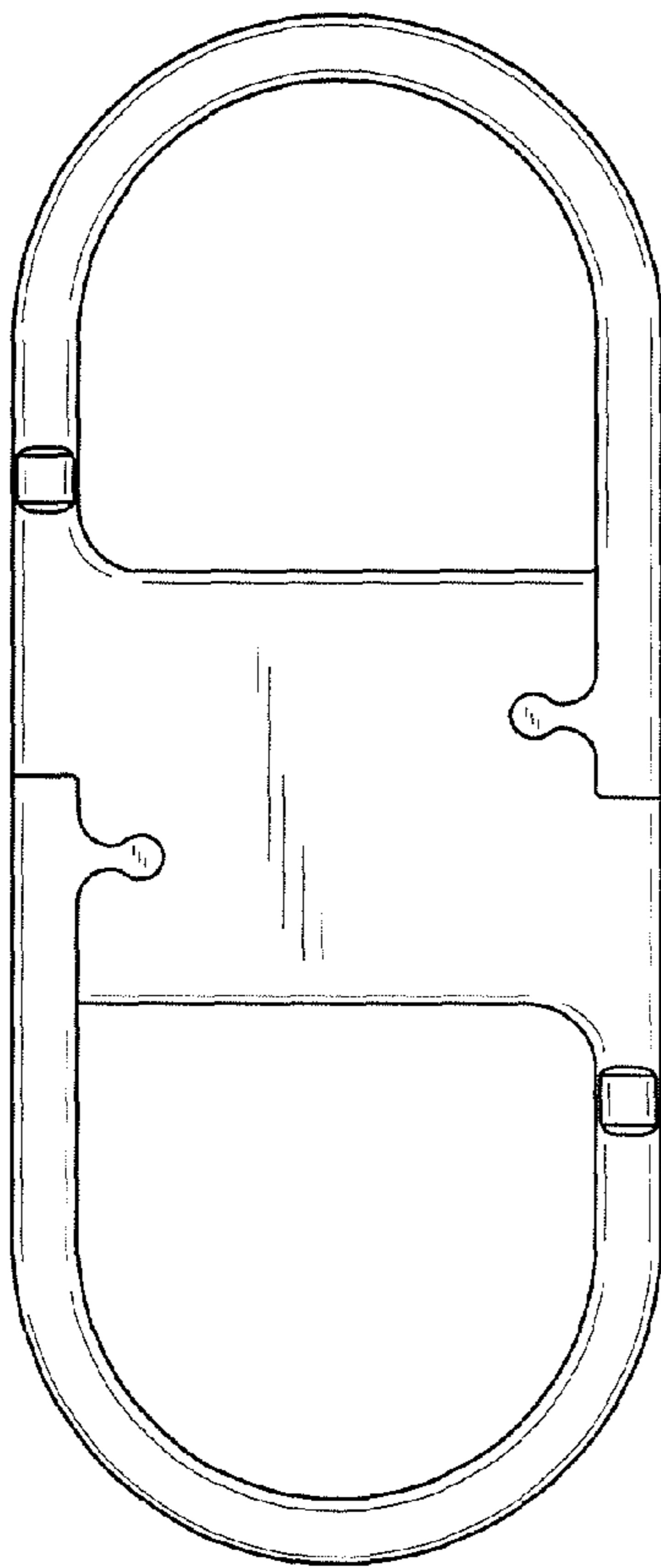


FIG.3

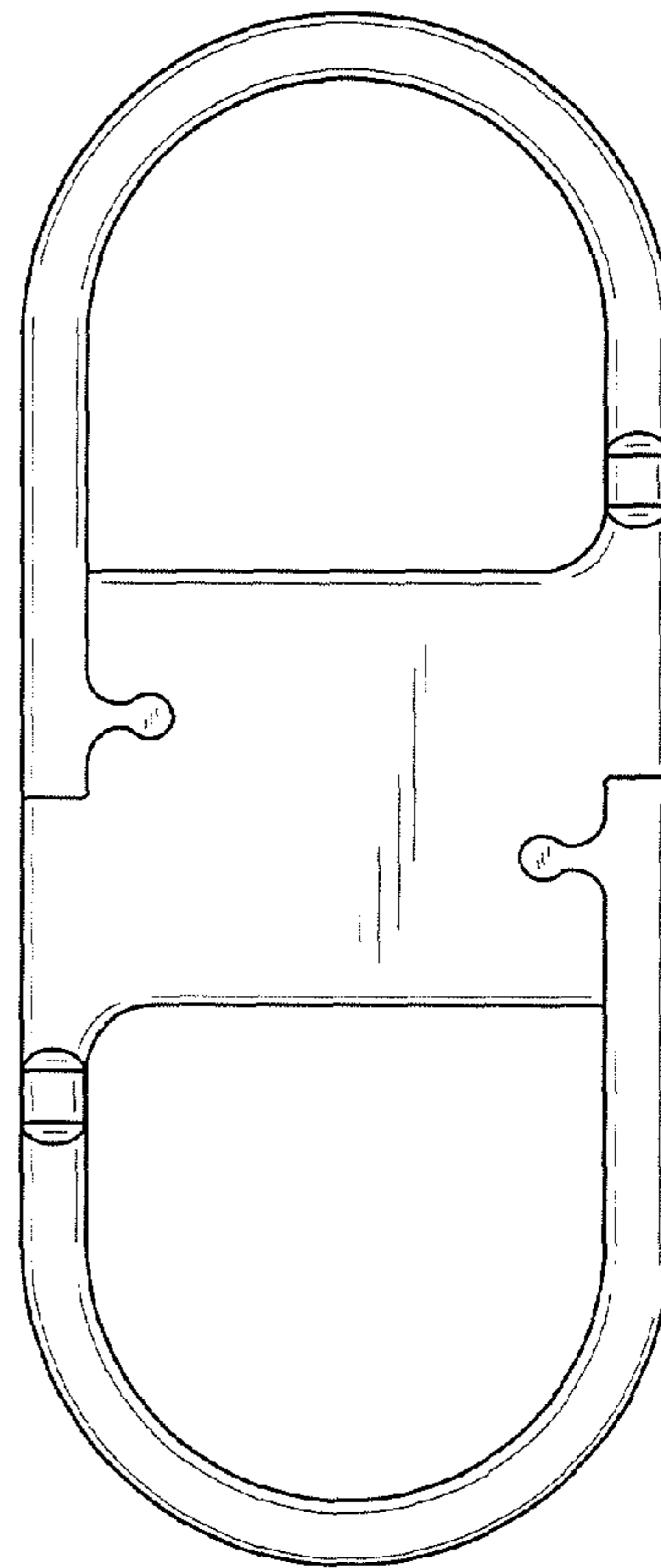


FIG.4

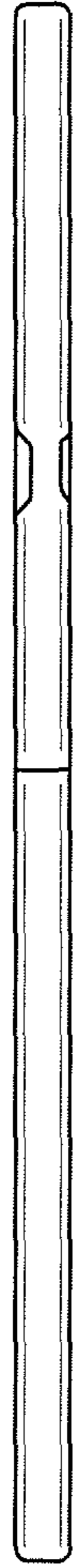


FIG. 5



FIG. 6

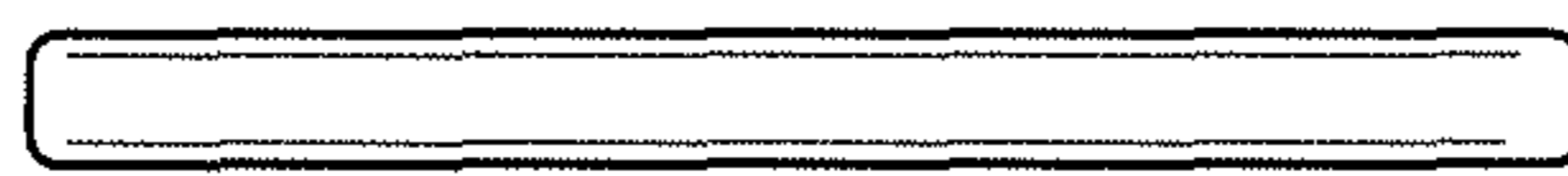


FIG. 7

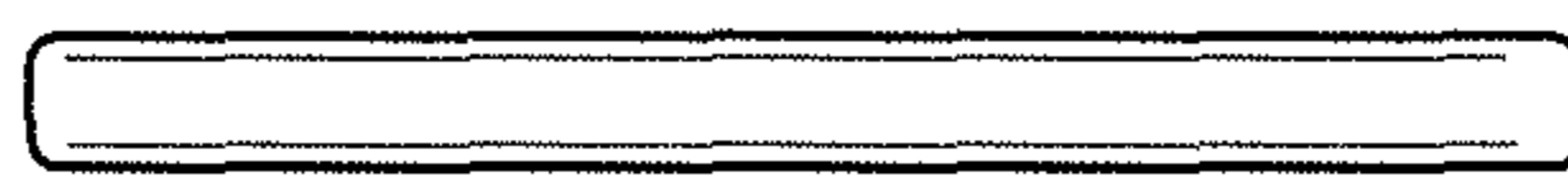


FIG. 8