



US00D702106S

(12) **United States Design Patent**
Weinberg

(10) **Patent No.:** **US D702,106 S**

(45) **Date of Patent:** **** Apr. 8, 2014**

- (54) **CORD MANAGEMENT CLIP**
- (75) Inventor: **Robert Weinberg**, Spring Grove, IL
(US)
- (73) Assignee: **Allegiance Corporation**, McGaw Park,
IL (US)
- (**) Term: **14 Years**
- (21) Appl. No.: **29/427,131**
- (22) Filed: **Jul. 13, 2012**
- (51) **LOC (10) Cl.** **08-05**
- (52) **U.S. Cl.**
USPC **D8/356**
- (58) **Field of Classification Search**
USPC 24/592.11, 599.1, 588.1, 601.5, 601,
24/599.9, 598.1, 599.6, 452, 129 R, 600.9;
D8/356, 354, 372, 367, 1, 382, 395;
63/8, 7, 12, 15, 1.14; D12/317;
D6/323; 248/301-304, 175, 63; 70/59;
402/35; 114/218, 114; 294/137, 158,
294/82.19; 410/101; 182/3; D11/210;
D9/752; D19/32; D3/207
See application file for complete search history.

- D425,781 S * 5/2000 Hopper D8/382
- D466,791 S * 12/2002 Kelleghan D8/356
- D468,997 S * 1/2003 Chang D8/356
- D493,092 S * 7/2004 Kalat D8/367
- 7,214,171 B2 * 5/2007 Thelen et al. 482/124

(Continued)

Primary Examiner — Cynthia Underwood

(74) *Attorney, Agent, or Firm* — Arent Fox LLP

(57) **CLAIM**

The ornamental design for a cord management clip, as shown and described.

DESCRIPTION

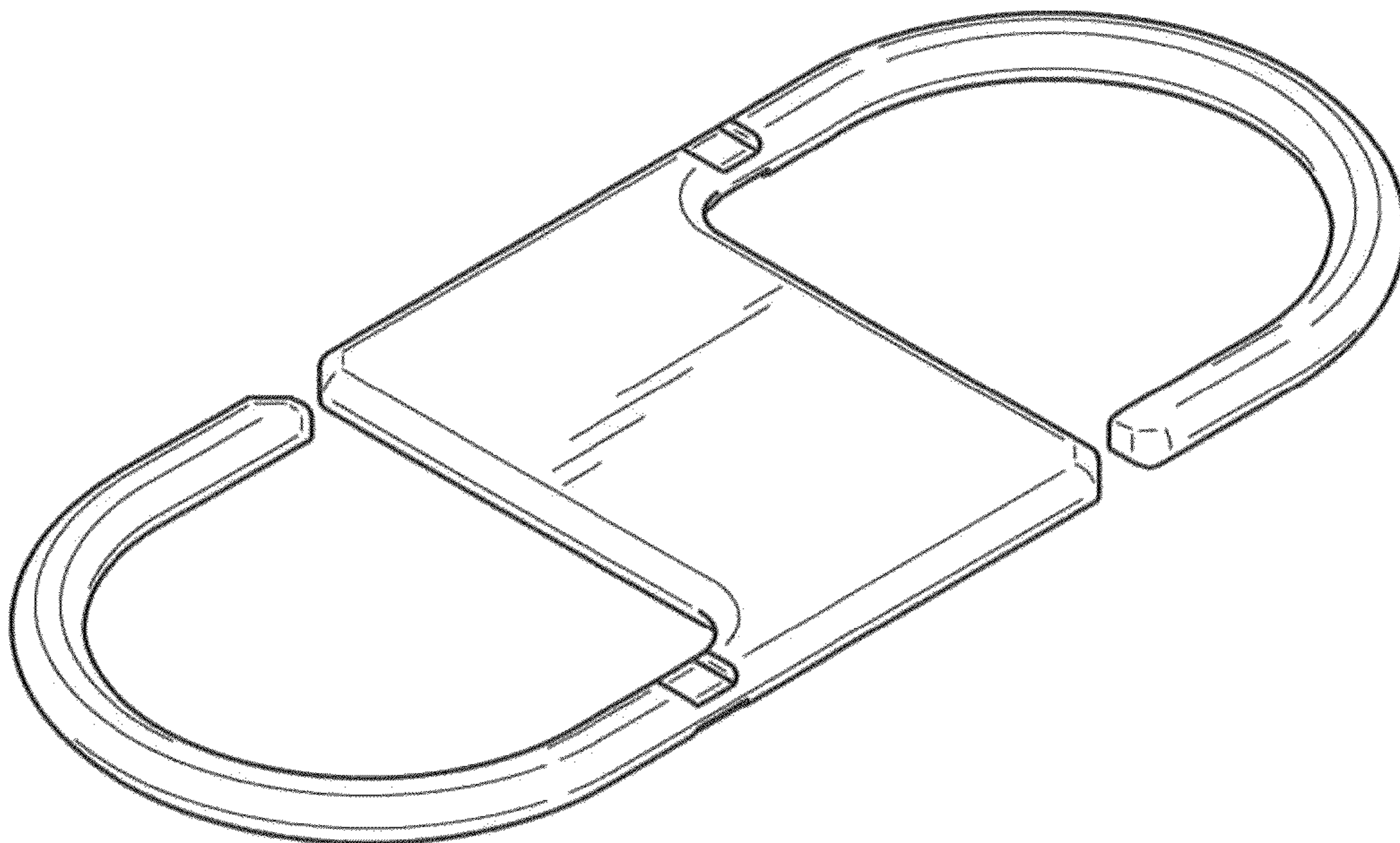
FIG. 1 is a top perspective view of a cord management clip showing my new design, according to a first embodiment; FIG. 2 is a bottom perspective view of the design shown in FIG. 1; FIG. 3 is a front view of the design shown in FIG. 1; FIG. 4 is a back view of the design shown in FIG. 1; FIG. 5 is a left side view of the design shown in FIG. 1; FIG. 6 is a right side view of the design shown in FIG. 1; pg.2 FIG. 7 is a top view of the design shown in FIG. 1; FIG. 8 is a bottom view of the design shown in FIG. 1; FIG. 9 is a top perspective view of a cord management clip showing my new design, according to a second embodiment; FIG. 10 is a bottom perspective view of the design shown in FIG. 9; FIG. 11 is a front view of the design shown in FIG. 9; FIG. 12 is a back view of the design shown in FIG. 9; FIG. 13 is a left side view of the design shown in FIG. 9; FIG. 14 is a right side view of the design shown in FIG. 9; FIG. 15 is a top view of the design shown in FIG. 9; and, FIG. 16 is a bottom view of the design shown in FIG. 9.

1 Claim, 6 Drawing Sheets

(56) **References Cited**

U.S. PATENT DOCUMENTS

- 437,380 A * 9/1890 Lundborg 24/600.9
- 2,064,133 A * 12/1936 Von Schroeder 248/214
- 3,630,475 A * 12/1971 Barry 248/215
- D244,910 S * 7/1977 Chasen et al. D8/367
- D271,466 S * 11/1983 Boissonnet D8/367
- D292,385 S * 10/1987 Udelhofen D11/210
- D323,104 S * 1/1992 Russell et al. D8/370



(56)

References Cited

U.S. PATENT DOCUMENTS

D577,574 S *	9/2008	Liang	D8/367	D631,333 S *	1/2011	Bauer et al.	D8/367
D594,738 S *	6/2009	Kelleghan	D8/356	D637,473 S *	5/2011	Mitchell	D8/336
D603,293 S *	11/2009	Merriam-Smith	D11/200	D646,556 S *	10/2011	Kelleghan	D8/356
D607,712 S *	1/2010	Kelleghan	D8/356	D669,764 S *	10/2012	Kelleghan	D8/356
D612,710 S *	3/2010	Kelleghan	D8/356	D684,845 S *	6/2013	Wood	D8/356
D626,393 S *	11/2010	Ormsbee	D8/34	D686,058 S *	7/2013	Paik et al.	D8/356
D631,332 S *	1/2011	Bauer et al.	D8/367	D688,118 S *	8/2013	Hobson	D8/356
				2005/0087662 A1 *	4/2005	Jacobs	248/339
				2007/0119891 A1 *	5/2007	Lawrence	224/669
				2009/0000086 A1 *	1/2009	Bing	24/592.11

* cited by examiner

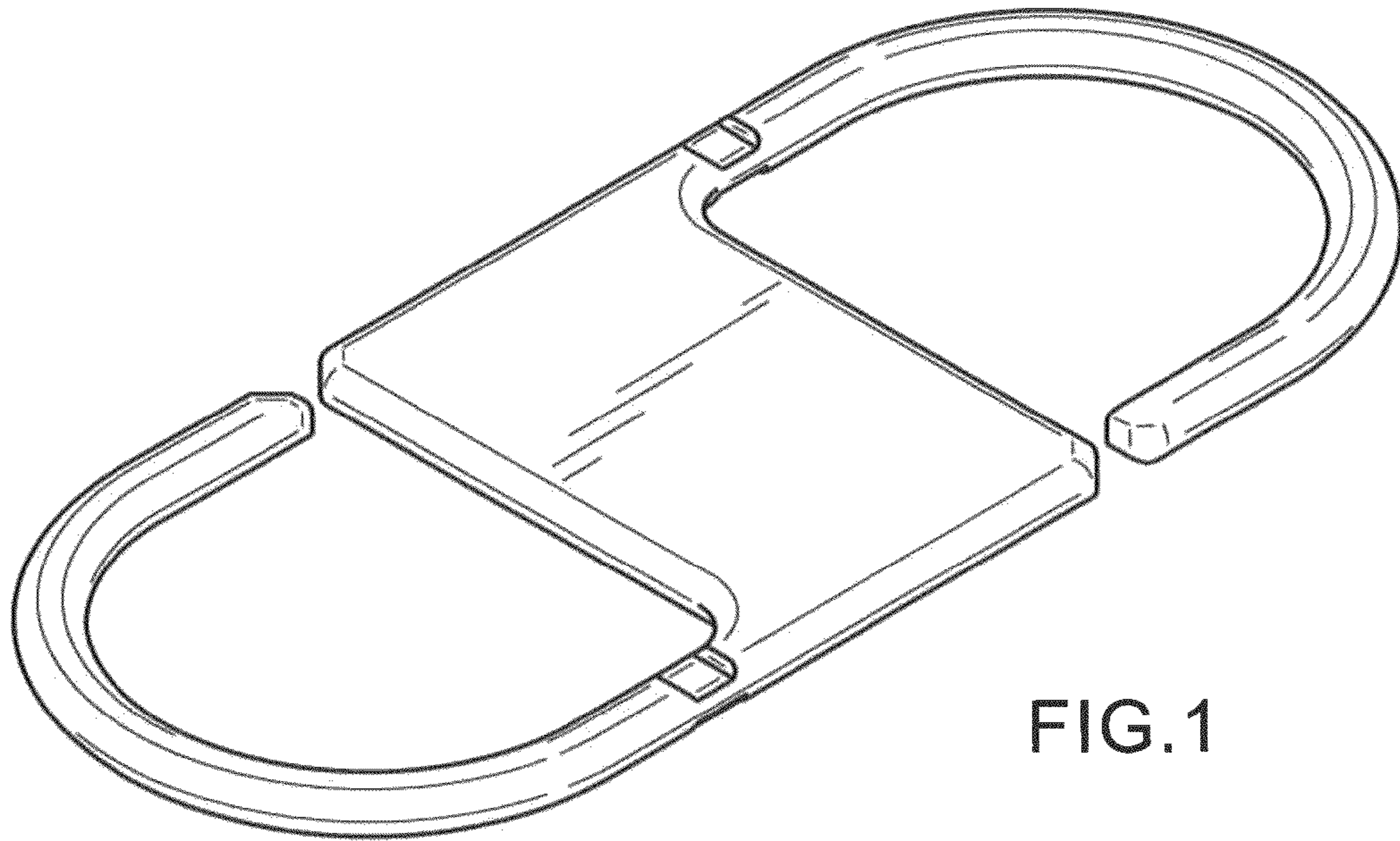


FIG. 1

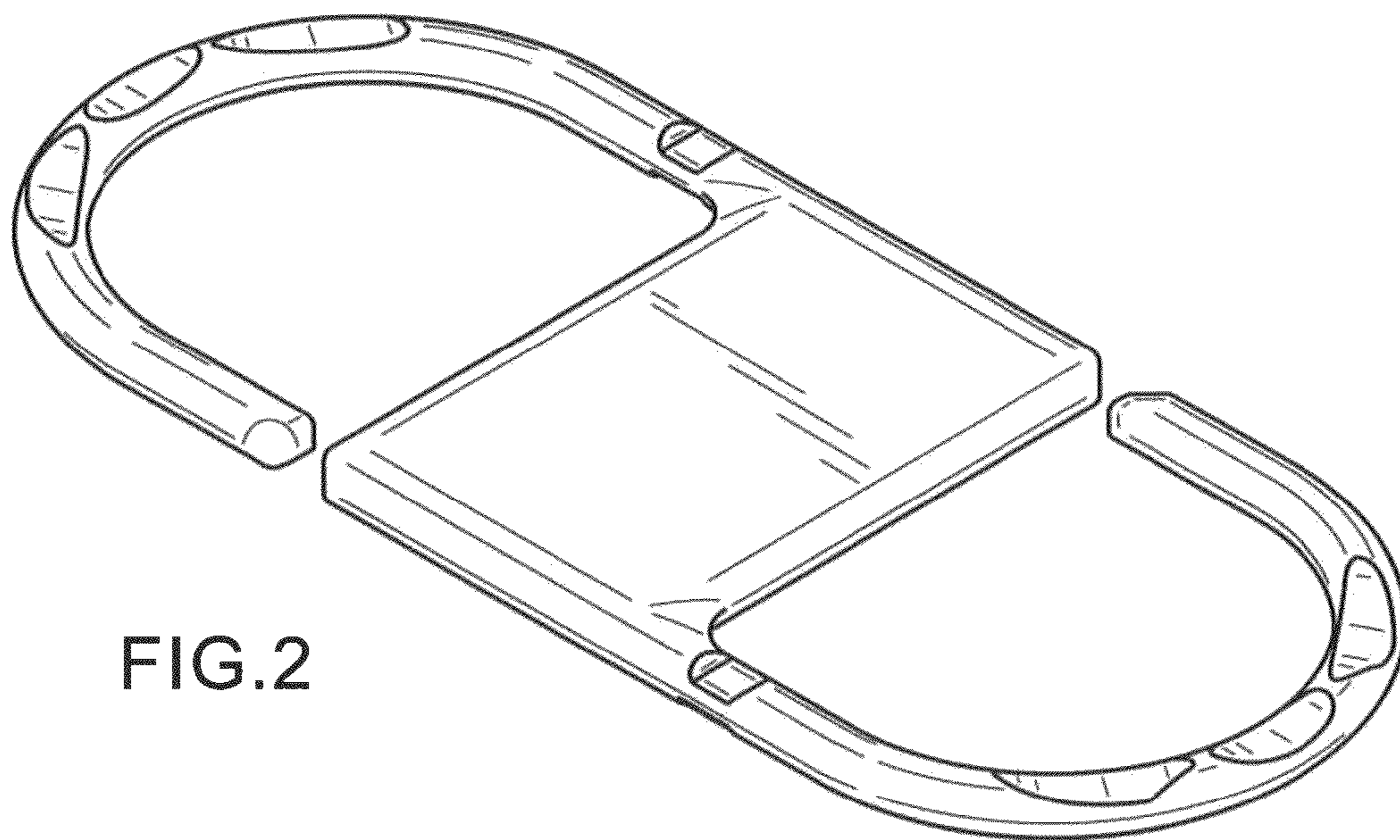


FIG. 2

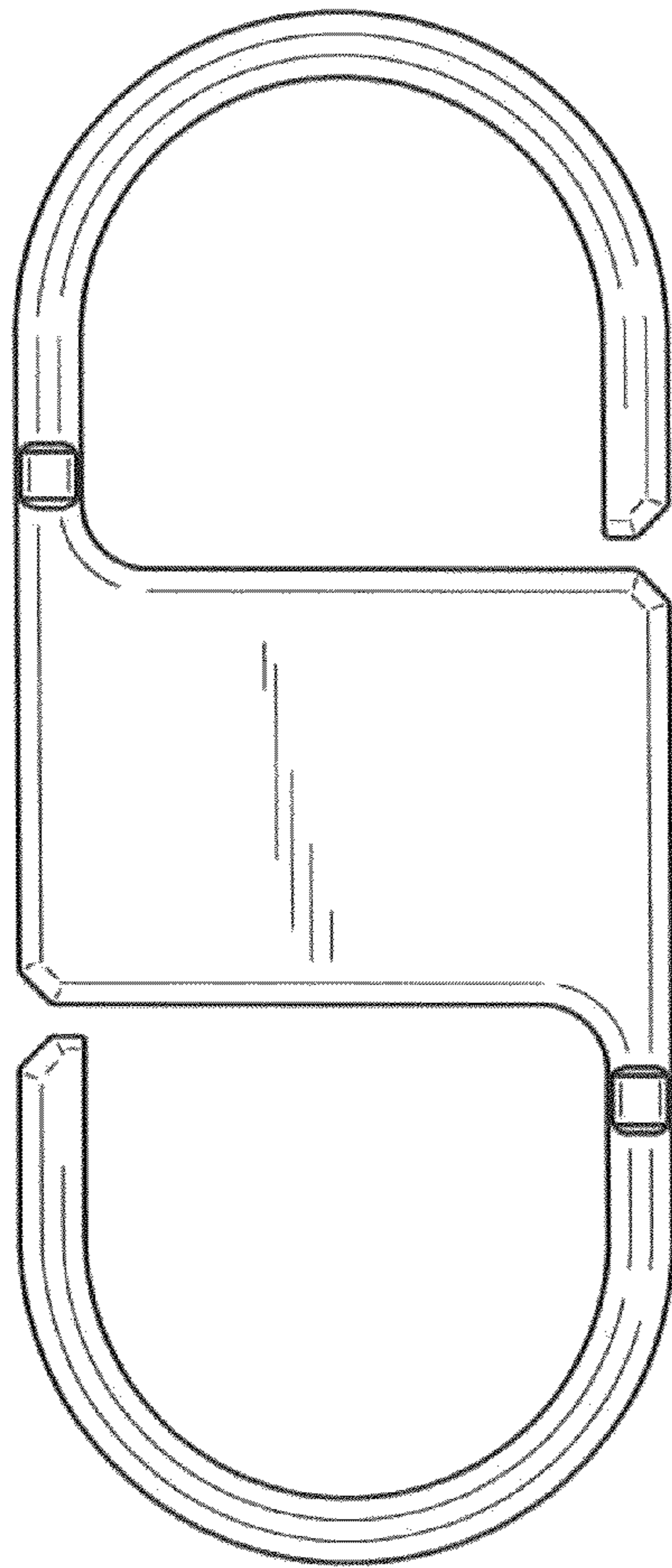


FIG.3

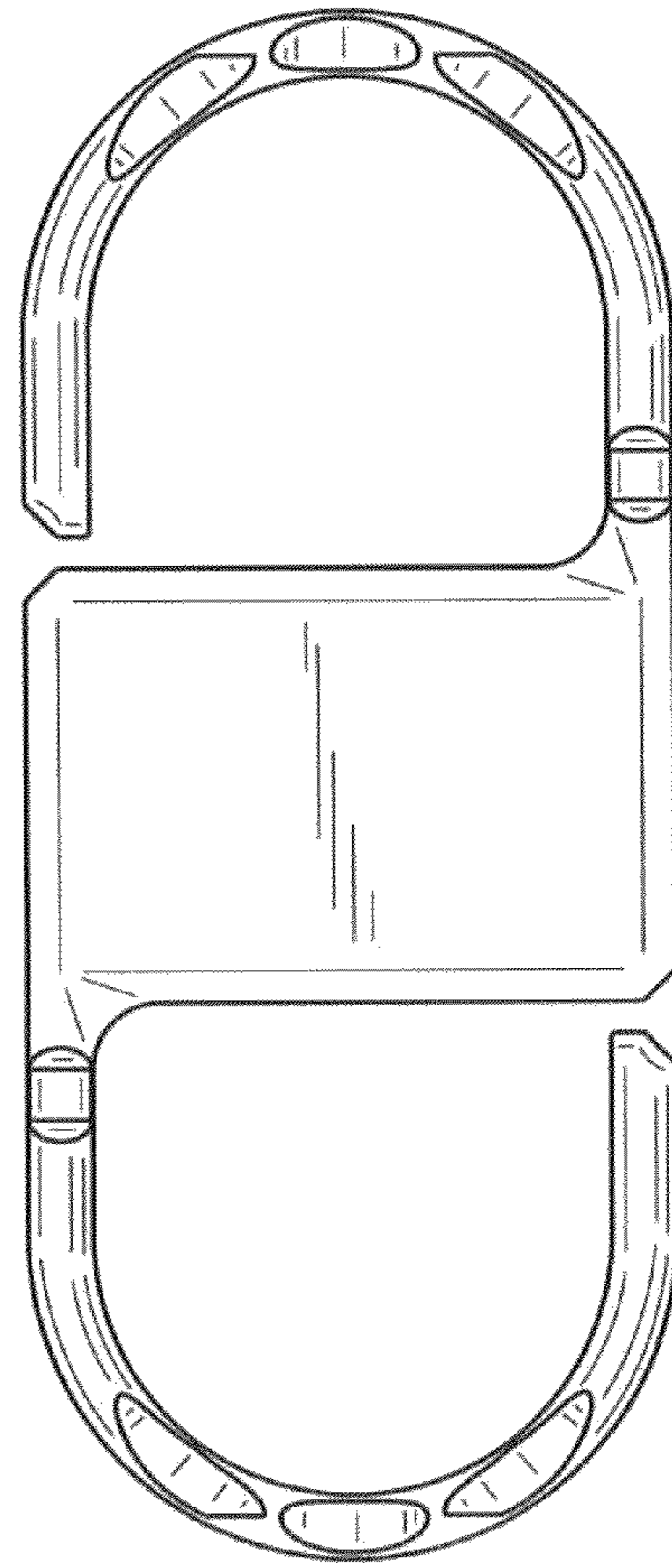


FIG.4



FIG. 5



FIG. 6



FIG. 7

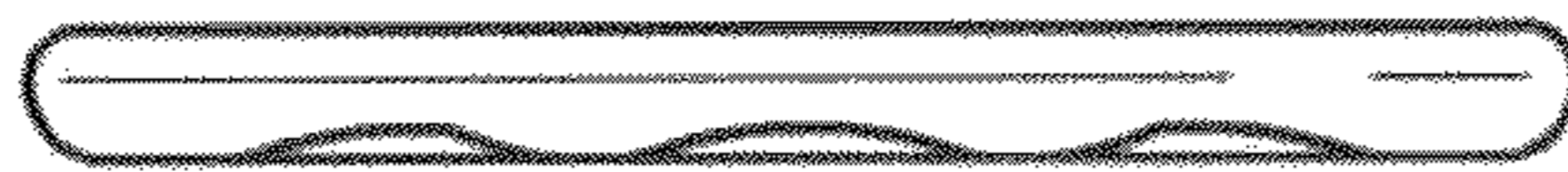


FIG. 8

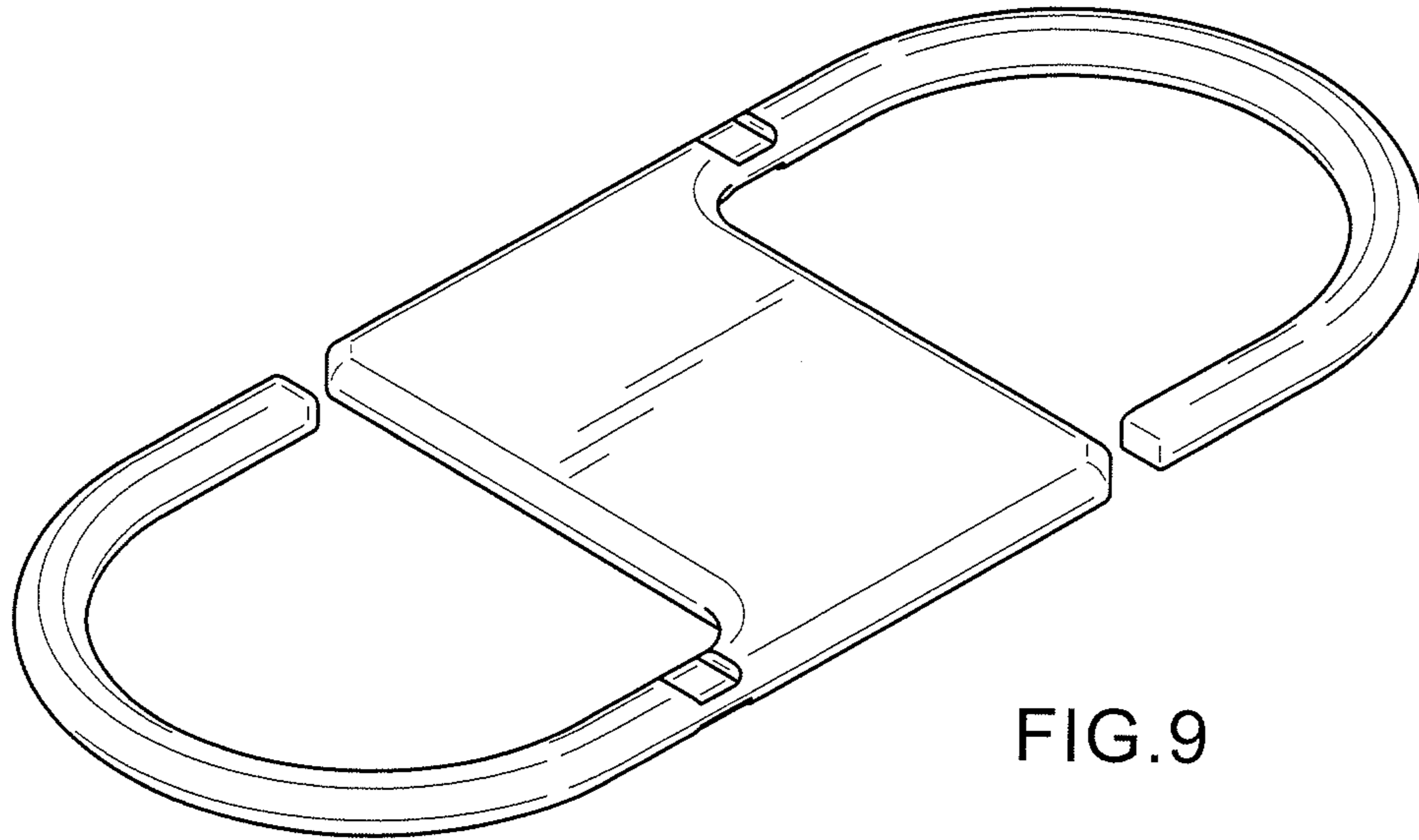


FIG. 9

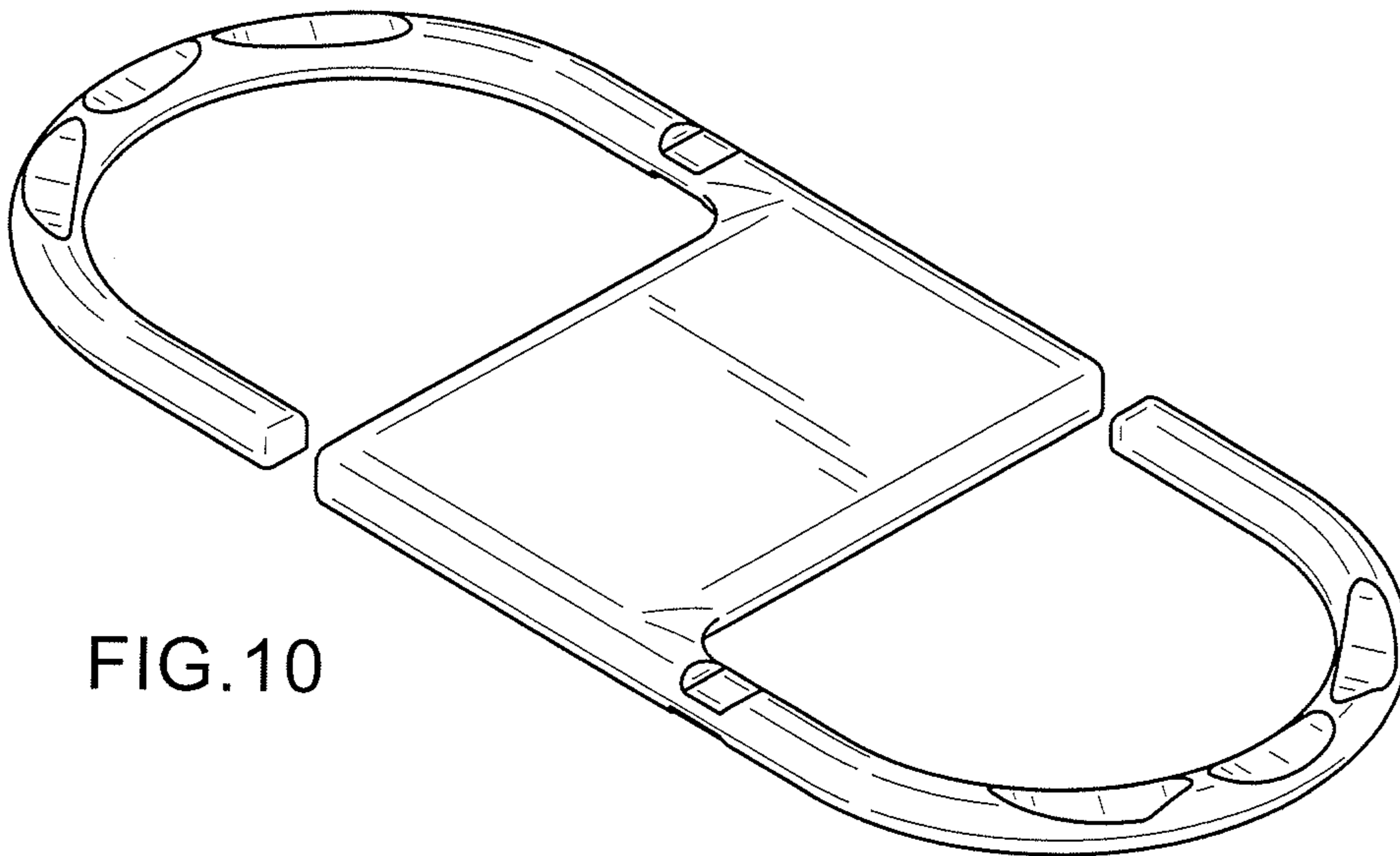


FIG. 10

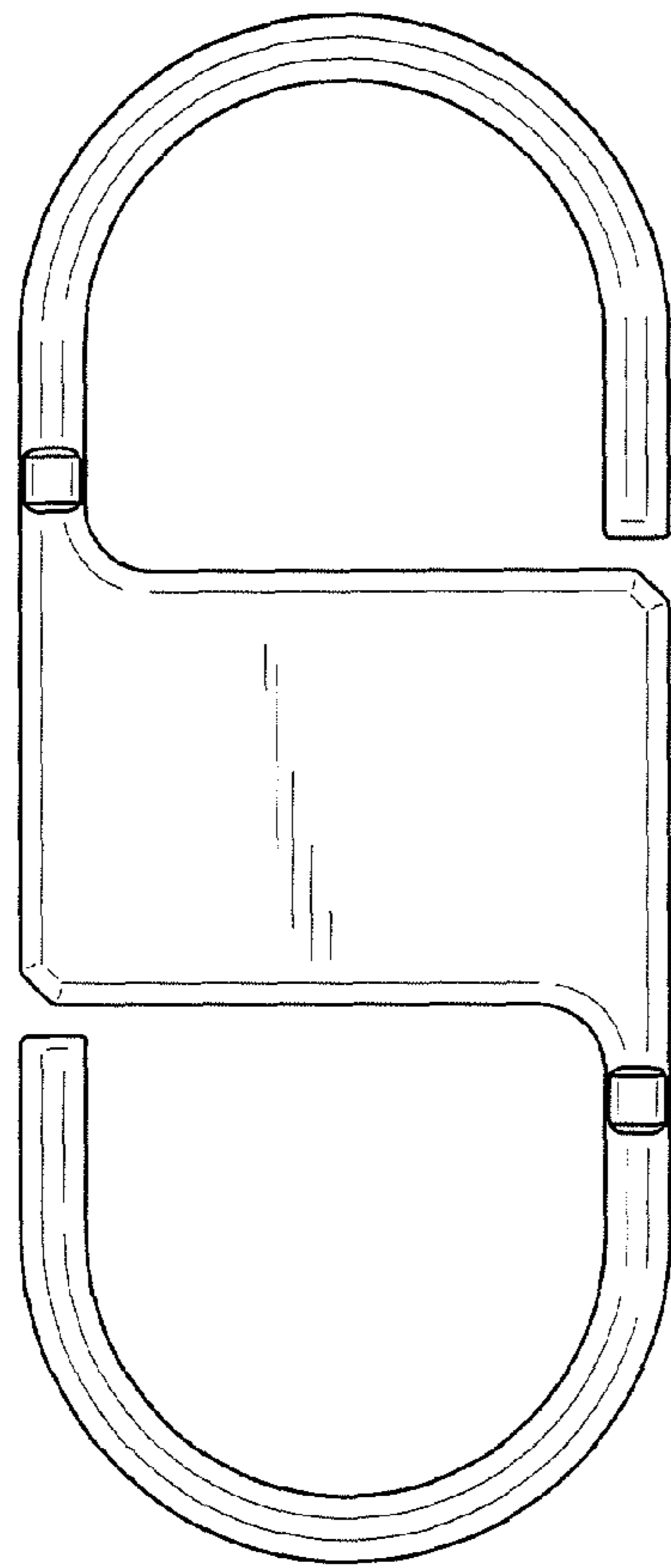


FIG. 11

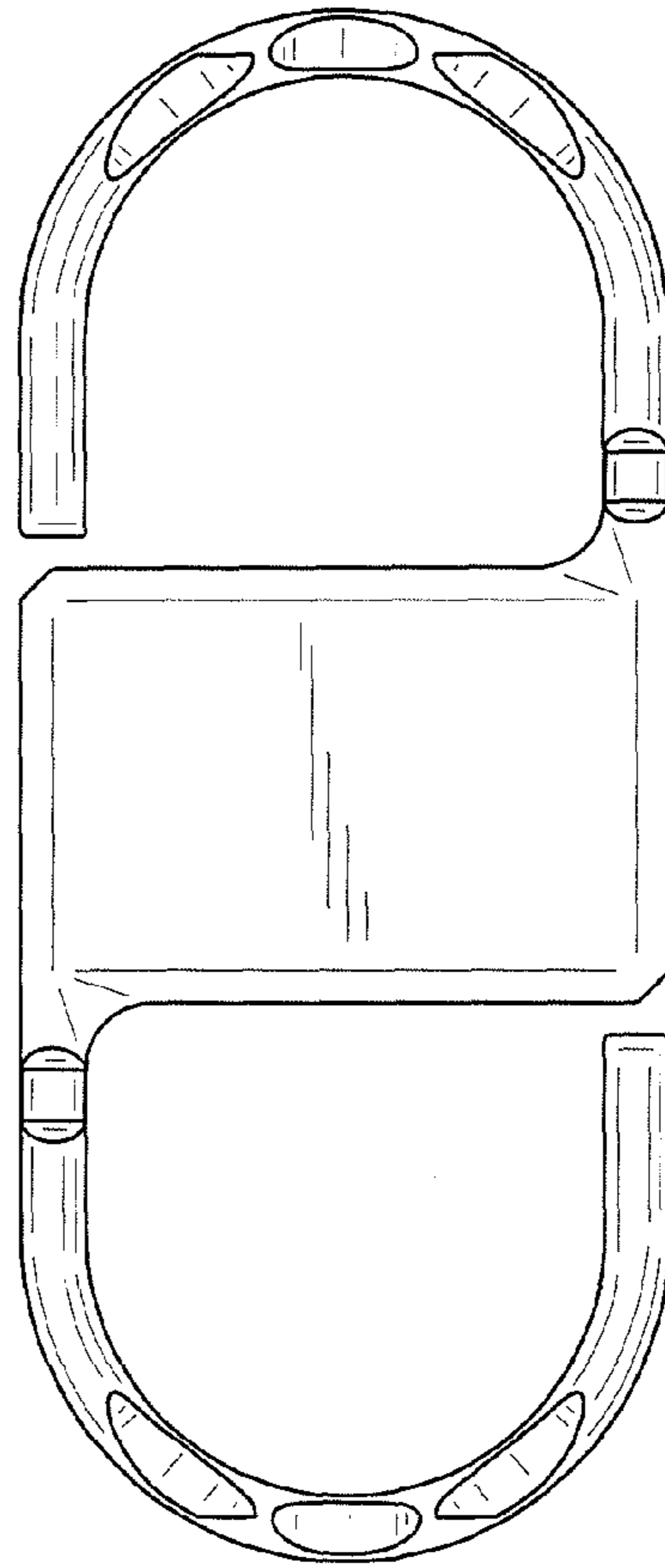


FIG. 12



FIG. 13



FIG. 14



FIG. 15

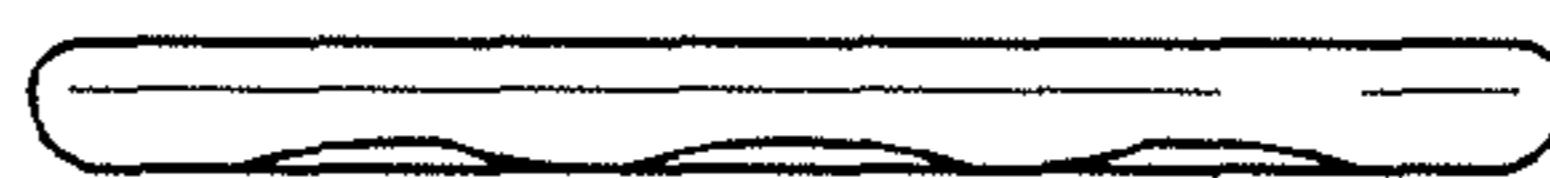


FIG. 16