



US00D702104S

(12) **United States Design Patent**
Butler

(10) **Patent No.:** **US D702,104 S**
(45) **Date of Patent:** **** Apr. 8, 2014**

(54) **BASE FOR DEVICE FOR PREVENTING WIRE THEFT FROM UTILITY POLES**

(76) Inventor: **Timothy Earnest Butler**, Langley (CA)

(**) Term: **14 Years**

(21) Appl. No.: **29/414,135**

(22) Filed: **Feb. 24, 2012**

(51) **LOC (10) Cl.** **08-08**

(52) **U.S. Cl.**
USPC **D8/349**

(58) **Field of Classification Search**

USPC D8/349, 354, 380, 382; D25/133;
248/519, 300, 237, 309.1; 174/45 R,
174/46, 40 R, 45 TD, 40 CCC, 43, 493;
220/251, 284; 362/431; 411/402;
52/188, 182, 191, 702, 712, 745.06,
52/189, 506.5, 586.1; 29/428, 525.01,
29/464; 249/14, 205, 208; 403/167, 169

See application file for complete search history.

(56) **References Cited**

U.S. PATENT DOCUMENTS

342,552 A	5/1886	Westinghouse, Jr.	
3,242,252 A	3/1966	Bergenstein	
3,343,322 A	9/1967	Lurkis et al.	
3,864,510 A	2/1975	Ramsey, Jr. et al.	
3,872,234 A	3/1975	Smith	
3,906,295 A	9/1975	Tessmer	
3,988,870 A	11/1976	Snavelly	
3,991,264 A	11/1976	Connell	
4,187,418 A	2/1980	Harris	
4,227,388 A *	10/1980	Nigrelli et al.	70/427
4,243,834 A	1/1981	Logioco	
4,488,013 A	12/1984	Ziegler	
4,540,846 A	9/1985	Smith	
4,570,884 A	2/1986	Armbruster	
4,631,353 A	12/1986	Marks	
5,092,663 A	3/1992	Hivner	

5,216,203 A	6/1993	Gower	
5,255,810 A	10/1993	Hosford	
5,335,160 A	8/1994	Savoca	
5,481,846 A *	1/1996	Macchietto	52/831
5,483,019 A	1/1996	Tourigny	
5,641,939 A	6/1997	Tourigny	
6,092,342 A *	7/2000	Sharapata	52/298
D449,218 S *	10/2001	Vrame	D8/354
6,327,833 B1	12/2001	Miskelley et al.	
6,336,620 B1 *	1/2002	Belli	248/519
6,525,273 B1	2/2003	Cunningham	
6,669,515 B1	12/2003	Urban et al.	
6,683,247 B1	1/2004	McTavish et al.	
6,872,883 B2	3/2005	Ginsburg	
7,090,382 B2 *	8/2006	Haddad et al.	362/431
7,157,642 B2	1/2007	Bowman et al.	

(Continued)

FOREIGN PATENT DOCUMENTS

EP	1150408	10/2001
EP	1137897	10/2003

(Continued)

Primary Examiner — Mark Goodwin

(74) *Attorney, Agent, or Firm* — Bruce M. Green; Oyen Wiggs Green & Mutala LLP

(57) **CLAIM**

The ornamental design for a base for device for preventing wire theft from utility poles, as shown and described.

DESCRIPTION

FIG. 1 is a top right front perspective view of a base for device preventing wire theft from utility poles showing my new design;

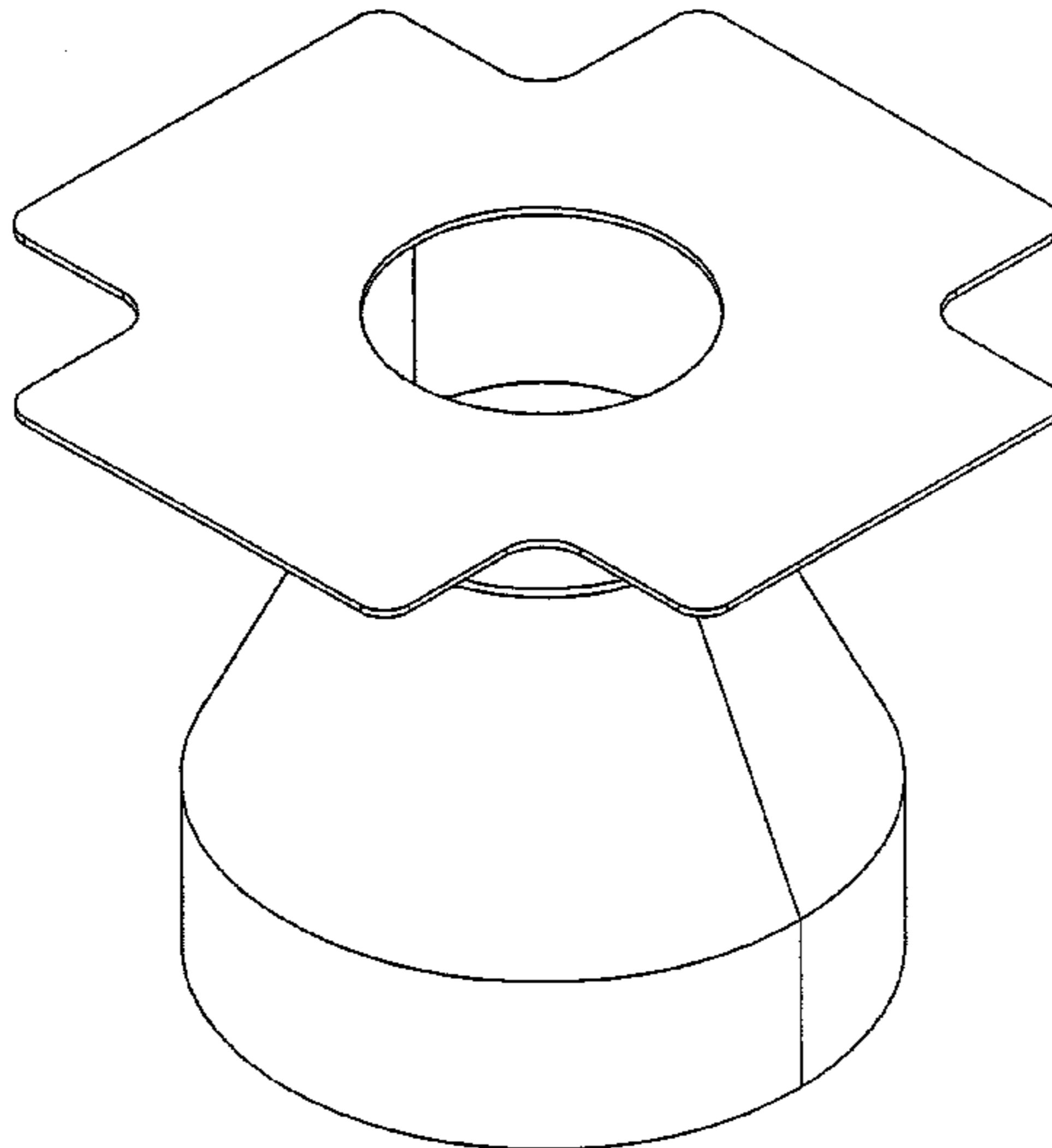
FIG. 2 is a right side view thereof;

FIG. 3 is a left side view thereof;

FIG. 4 is a top view thereof; and,

FIG. 5 is a bottom view thereof.

1 Claim, 3 Drawing Sheets



(56)

References Cited

U.S. PATENT DOCUMENTS

7,219,873 B2 * 5/2007 Harwood 248/519
7,234,669 B2 6/2007 Franks, Jr.
7,367,534 B2 5/2008 Franks, Jr.
7,490,964 B2 * 2/2009 Haddad et al. 362/431
7,560,642 B2 7/2009 Ygnelzi et al.
7,723,612 B2 5/2010 Butler
7,884,283 B1 * 2/2011 Ousley 174/45 R
7,975,515 B2 * 7/2011 Ygnelzi et al. 70/168
D650,654 S * 12/2011 Fong D8/332

8,074,955 B2 * 12/2011 Kumar et al. 248/519
D658,036 S * 4/2012 Fong D8/339
8,474,780 B2 * 7/2013 Parduhn et al. 248/551
2005/0098772 A1 * 5/2005 Fuoco 256/65.14
2006/0254794 A1 11/2006 Burke et al.

FOREIGN PATENT DOCUMENTS

EP 0877459 3/2004
GB 2275137 8/1994
WO 2006112783 10/2006

* cited by examiner

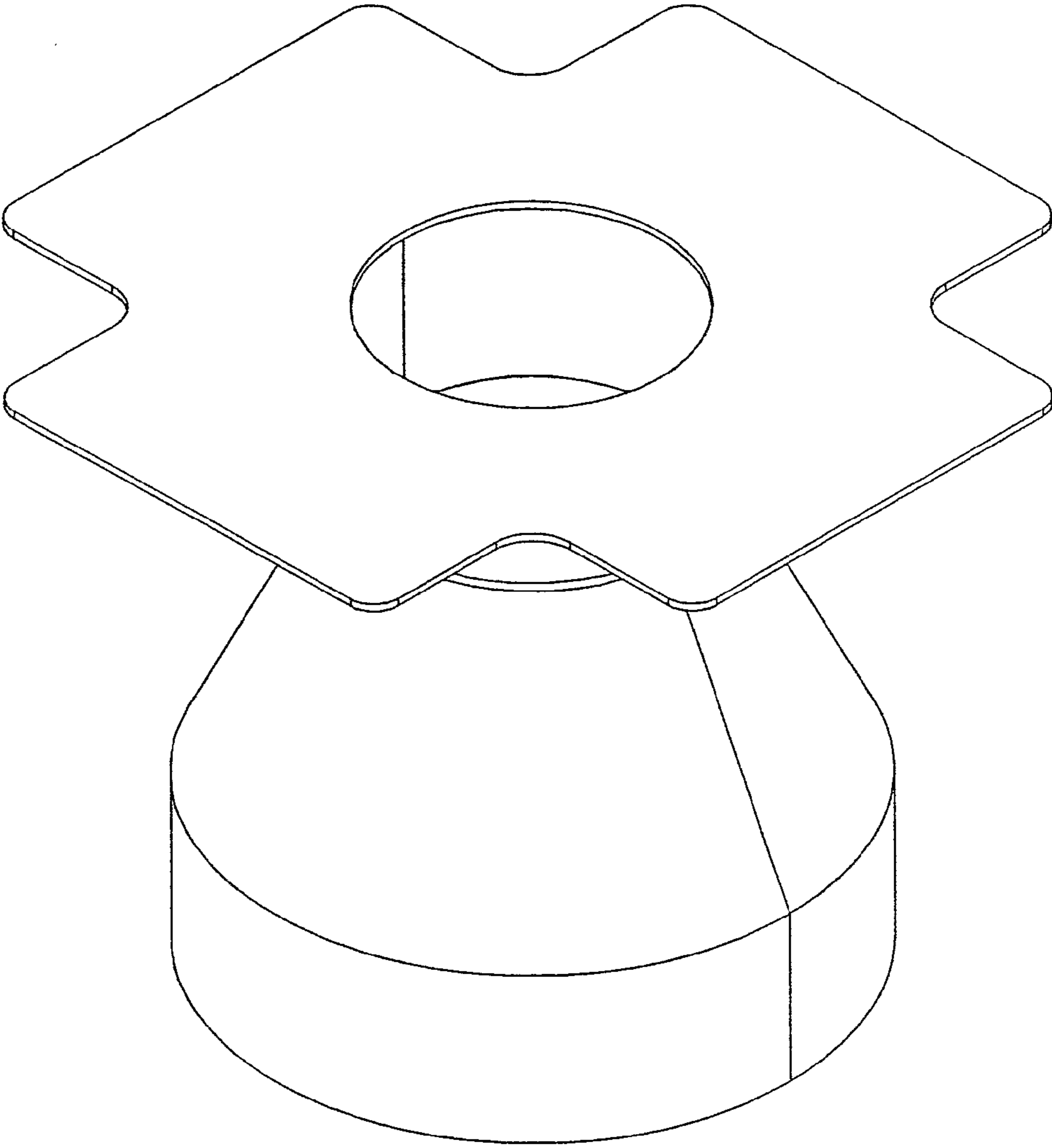


FIG. 1

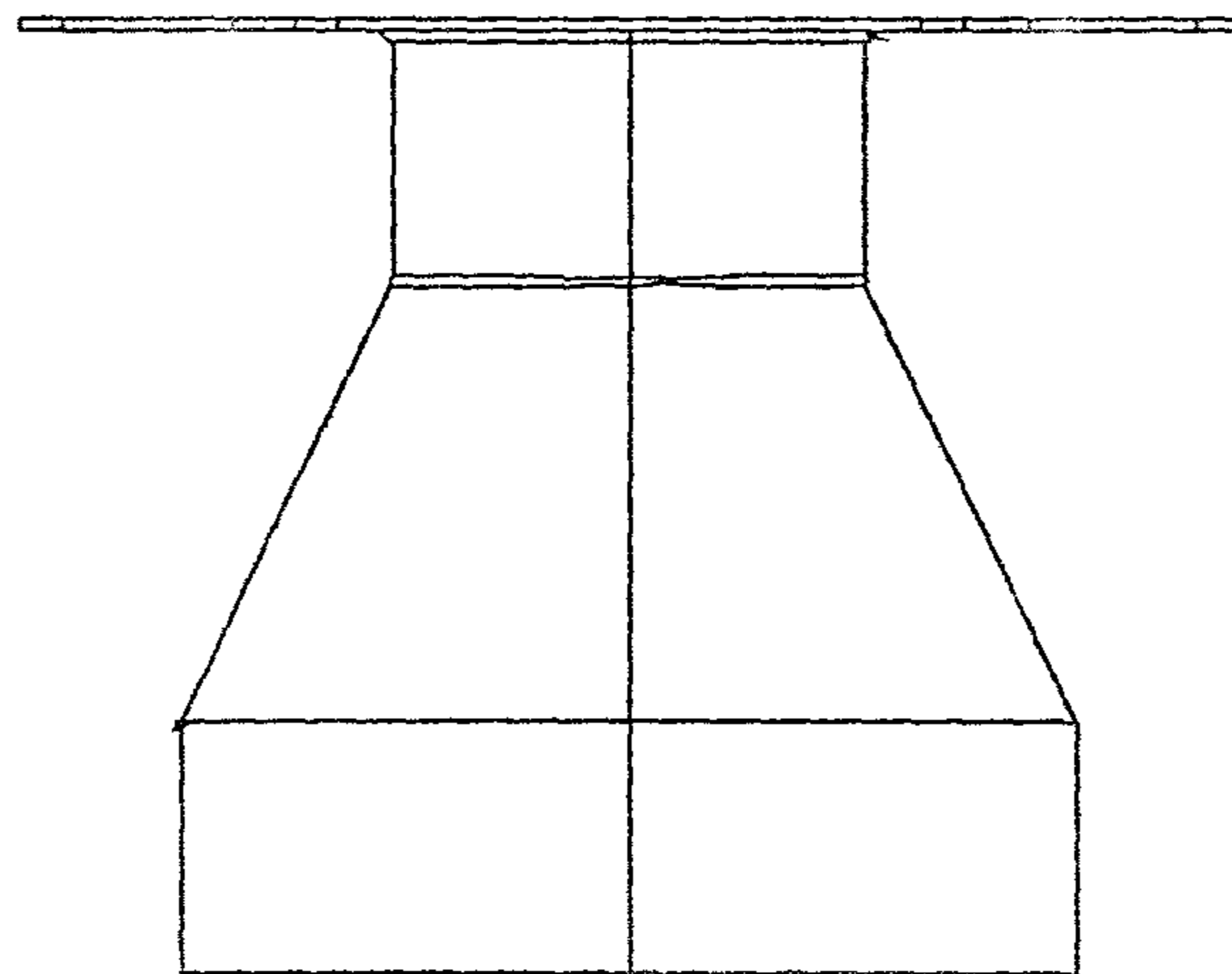


FIG. 2

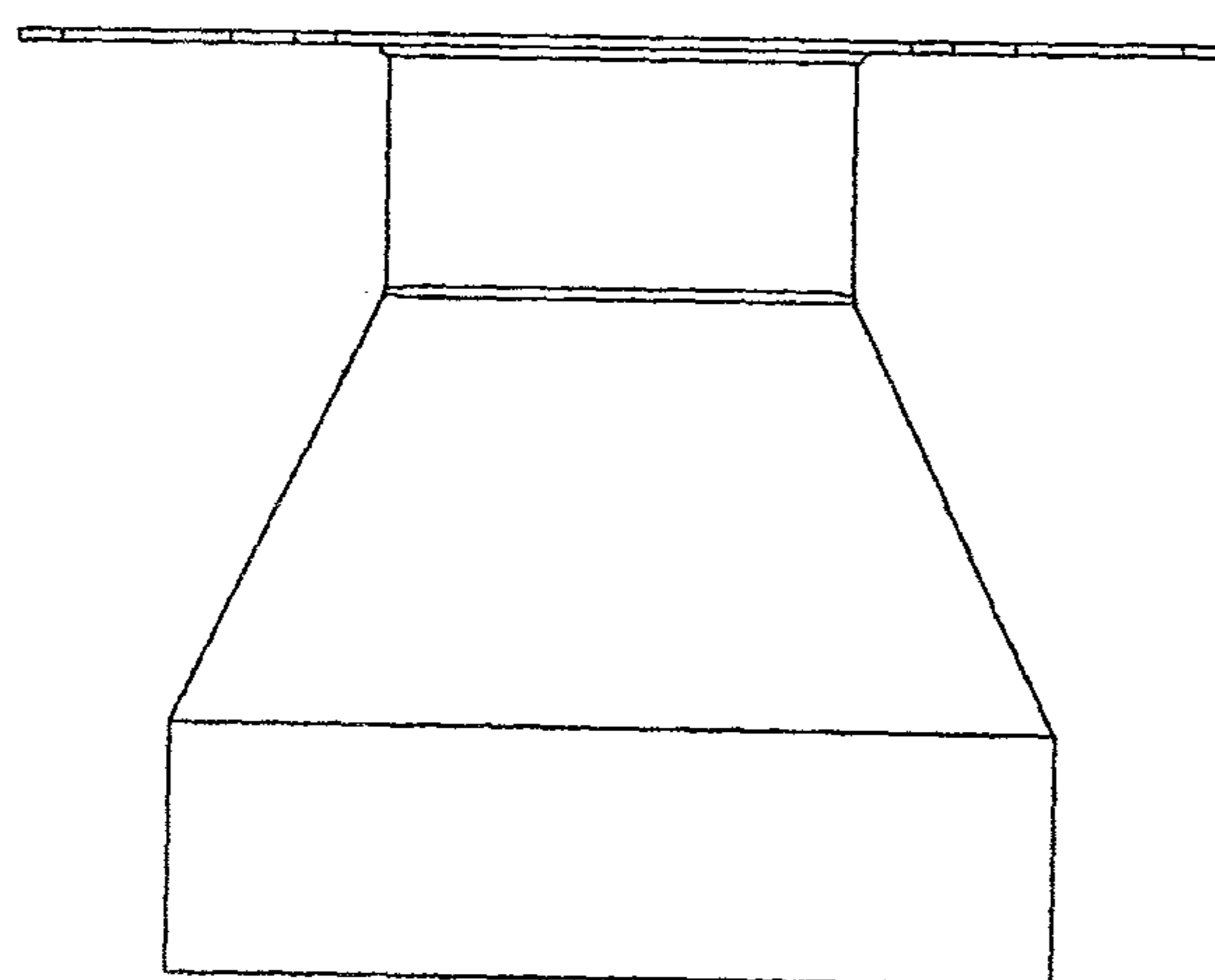


FIG. 3

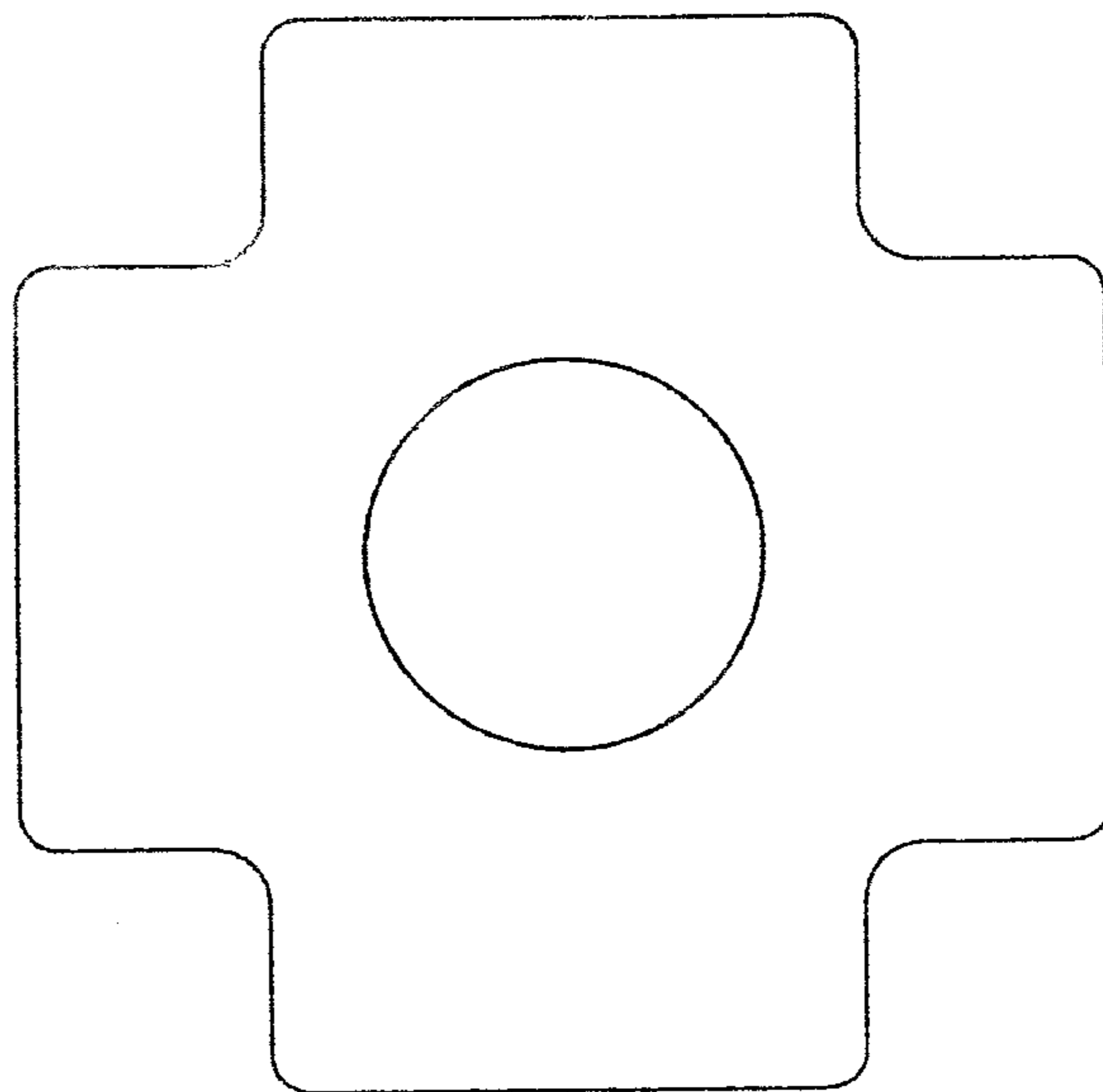


FIG. 4

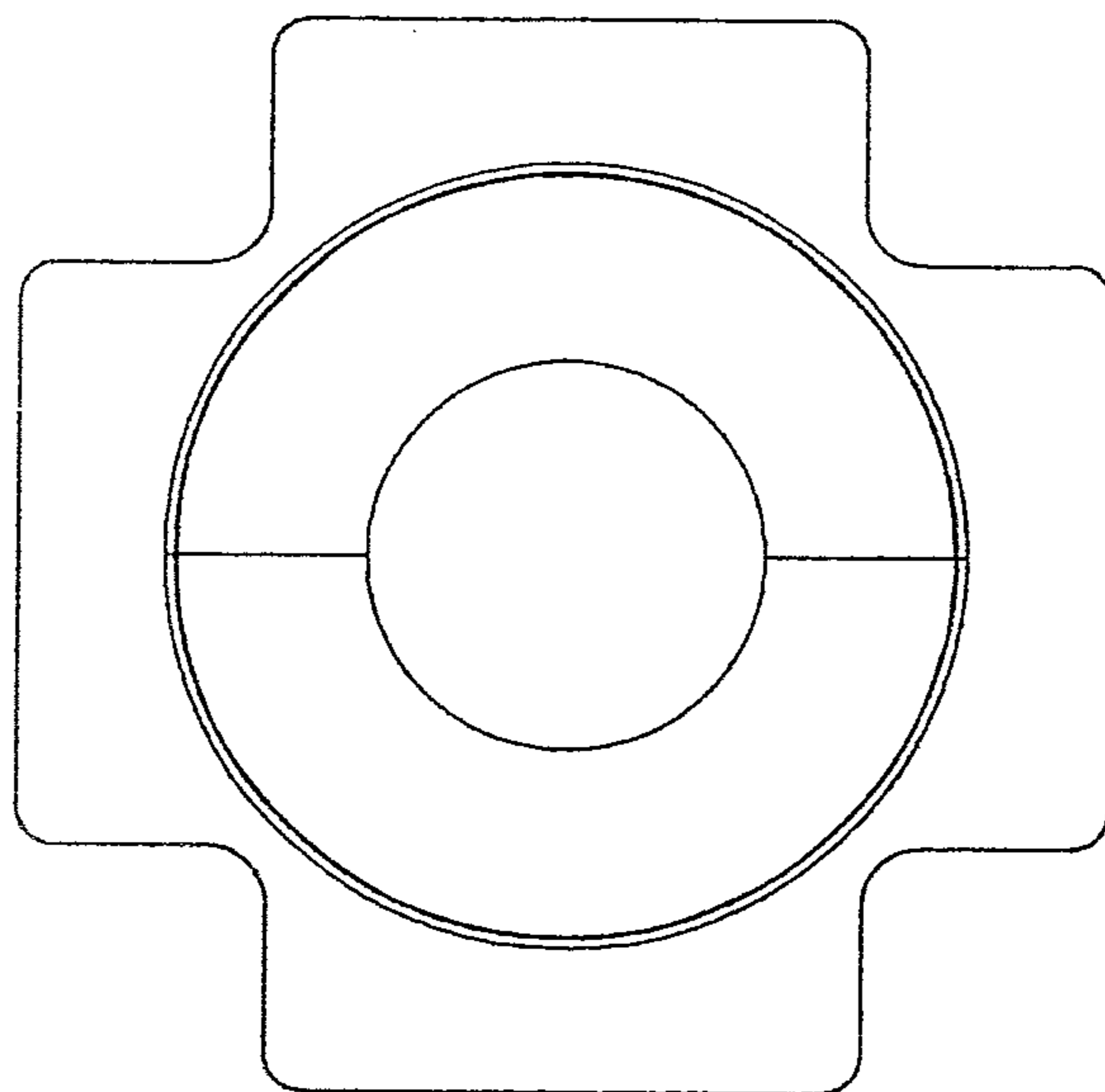


FIG. 5