



US00D702103S

(12) **United States Design Patent**
Zakiuddin Shahpurwala

(10) **Patent No.:** **US D702,103 S**

(45) **Date of Patent:** **** Apr. 8, 2014**

(54) **PADLOCK**

(71) Applicant: **Qaid Zohar Zakiuddin Shahpurwala,**
Dubai (AE)

(72) Inventor: **Qaid Zohar Zakiuddin Shahpurwala,**
Dubai (AE)

(**) Term: **14 Years**

(21) Appl. No.: **29/433,855**

(22) Filed: **Oct. 5, 2012**

(30) **Foreign Application Priority Data**

Apr. 12, 2012 (AE) 2012/D-115

(51) **LOC (10) Cl.** **08-07**

(52) **U.S. Cl.**
USPC **D8/343; D8/334**

(58) **Field of Classification Search**
USPC D8/330, 331, 334, 333, 335, 339;
70/20, 24-29, 31, 35, 38 R, 40-48, 14
See application file for complete search history.

(56) **References Cited**

U.S. PATENT DOCUMENTS

2,904,985 A * 9/1959 Murphy 70/51
4,218,902 A * 8/1980 Druschel 70/55
4,226,100 A * 10/1980 Hampton et al. 70/51
4,286,445 A * 9/1981 Sills 70/55

4,297,361 A * 10/1981 Puttner et al. 514/338
D297,403 S * 8/1988 Chong-Kuan D8/334
D342,010 S * 12/1993 Lebrecht et al. D8/334
D408,262 S * 4/1999 Liu D8/334
D470,390 S * 2/2003 Ling D8/334
D476,216 S * 6/2003 Vito D8/334
D516,896 S * 3/2006 Kearns et al. D8/334
D537,704 S * 3/2007 Van Handel D8/346

* cited by examiner

Primary Examiner — Prabhakar Deshmukh

(74) *Attorney, Agent, or Firm* — Fitch, Even, Tabin & Flannery, LLP

(57) **CLAIM**

I claim the ornamental design for a padlock, as shown and described.

DESCRIPTION

FIG. 1 is a perspective view of a padlock in accordance with my new design;

FIG. 2 is a front elevation view of the padlock of FIG. 1, the rear elevation view being a mirror image thereof;

FIG. 3 is a left side elevational view of the padlock of FIG. 1; FIG. 4 is a right side elevational view of the padlock of FIG. 1;

FIG. 5 is a bottom plan view of the padlock of FIG. 1; and, FIG. 6 is a top plan view of the padlock of FIG. 1.

The broken lines are included for the purpose of illustrating the unclaimed portions of the padlock and form no part of the claim.

1 Claim, 1 Drawing Sheet

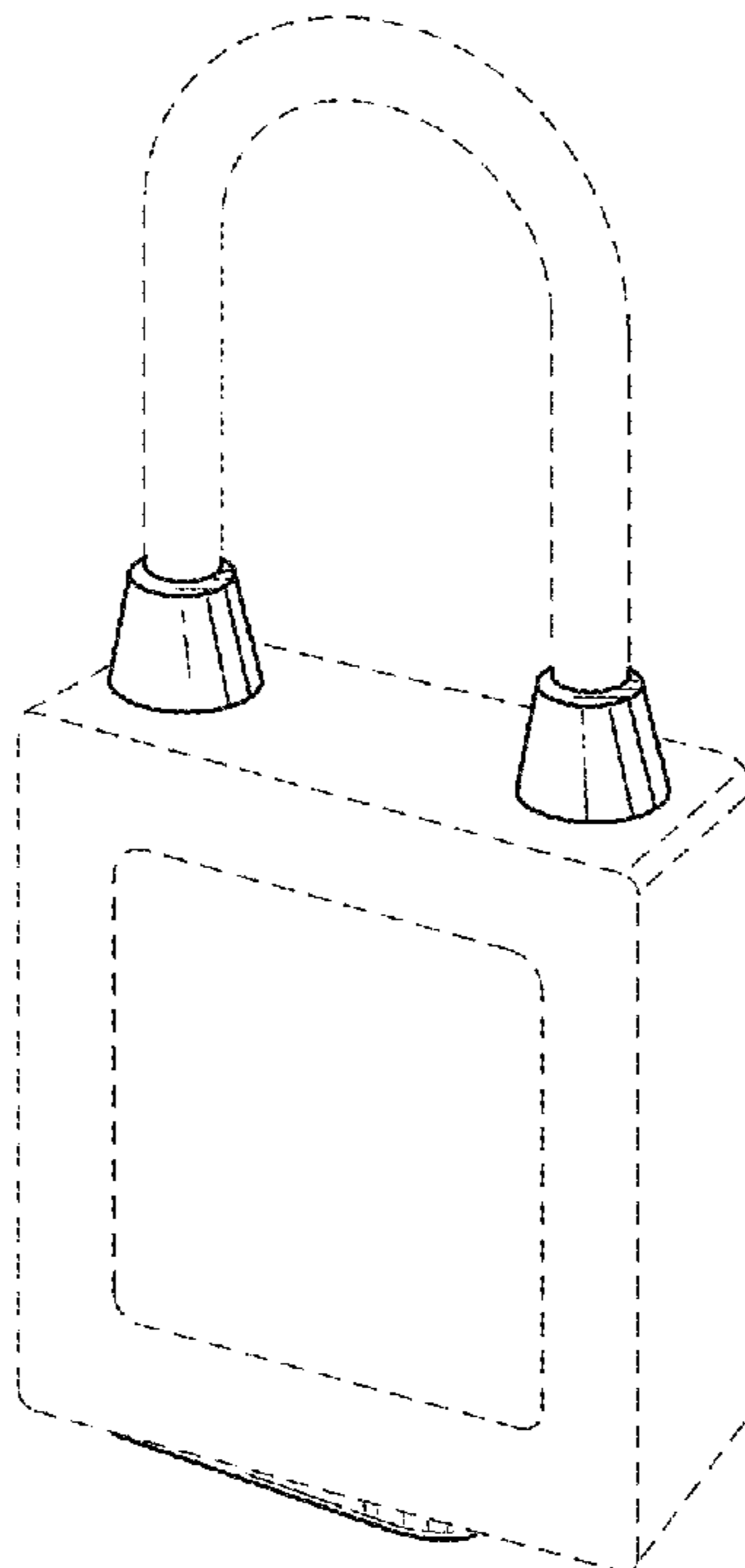


FIG. 1

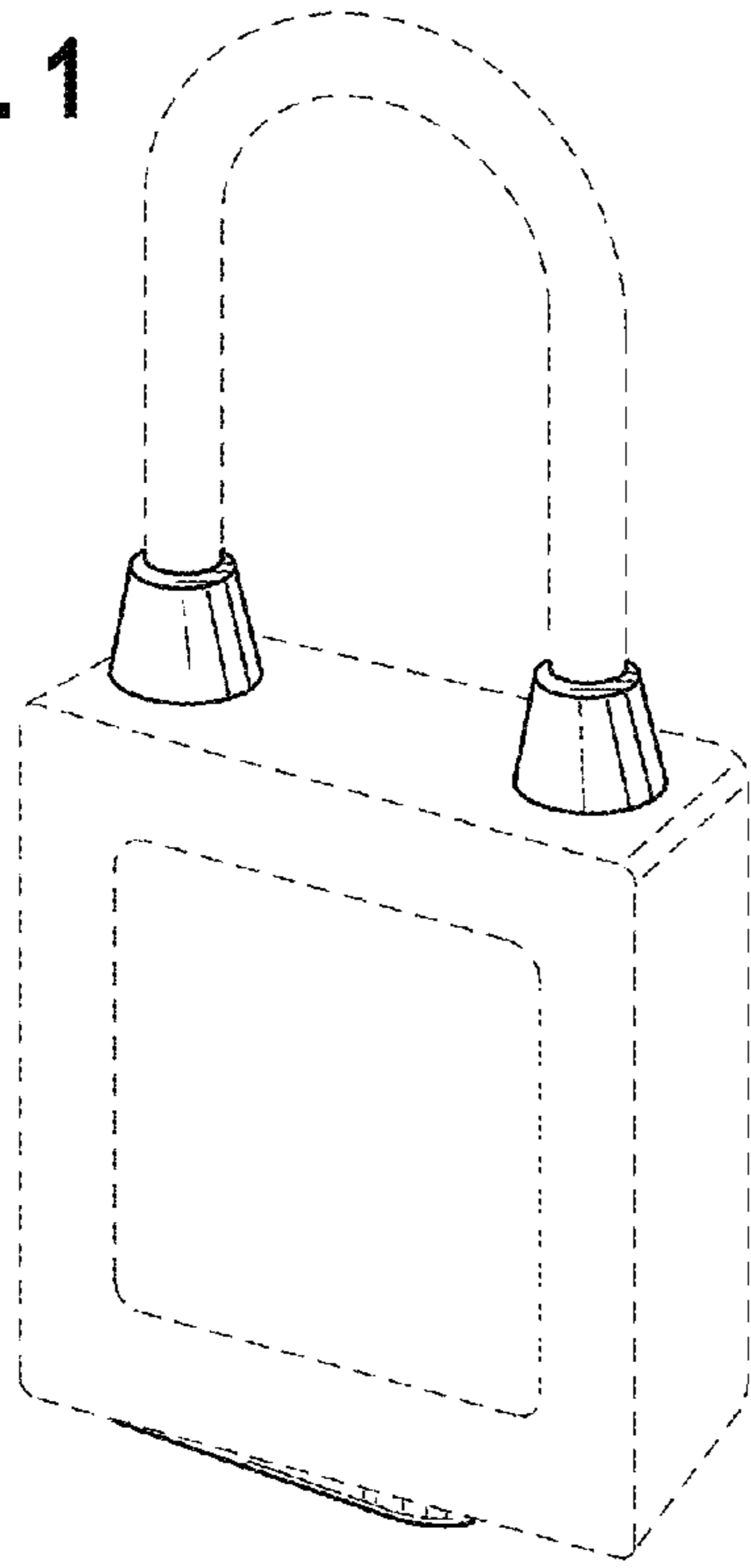


FIG. 2

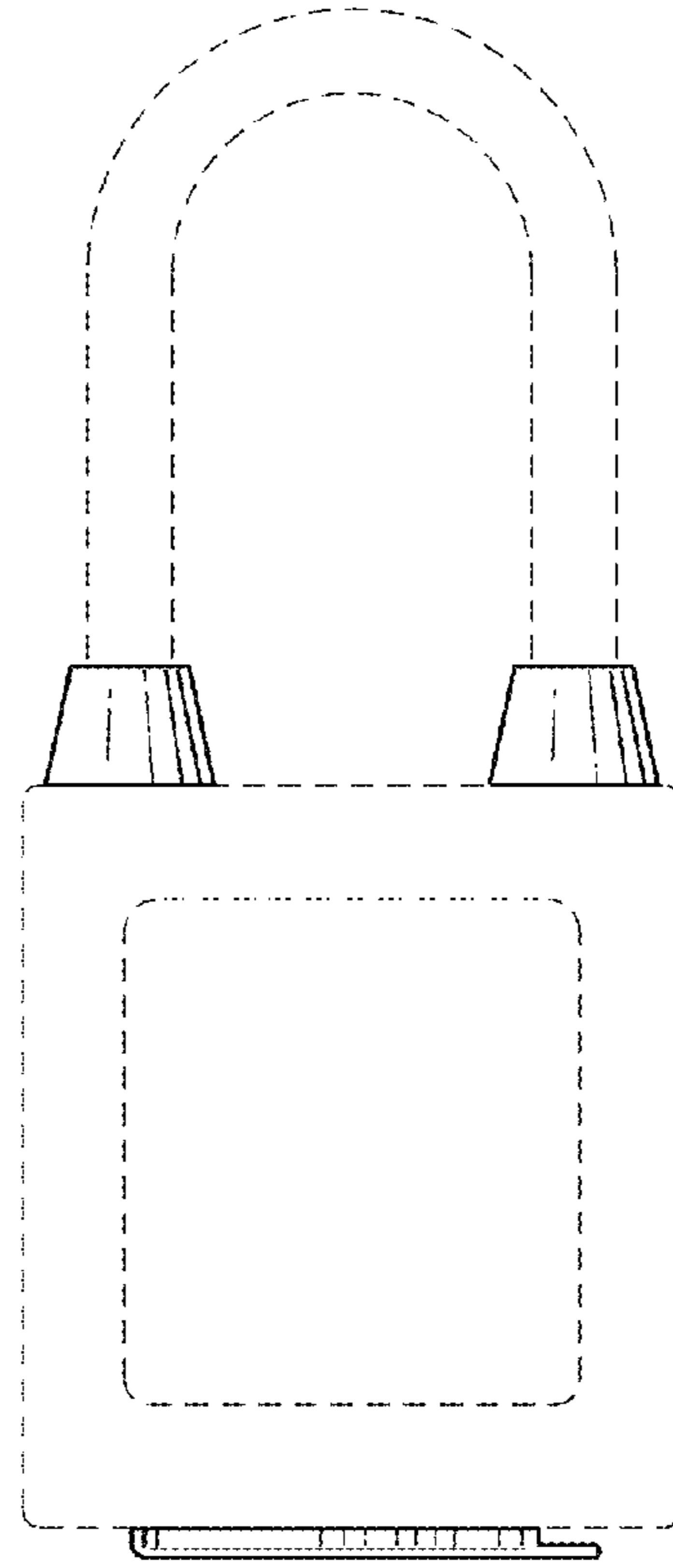


FIG. 3

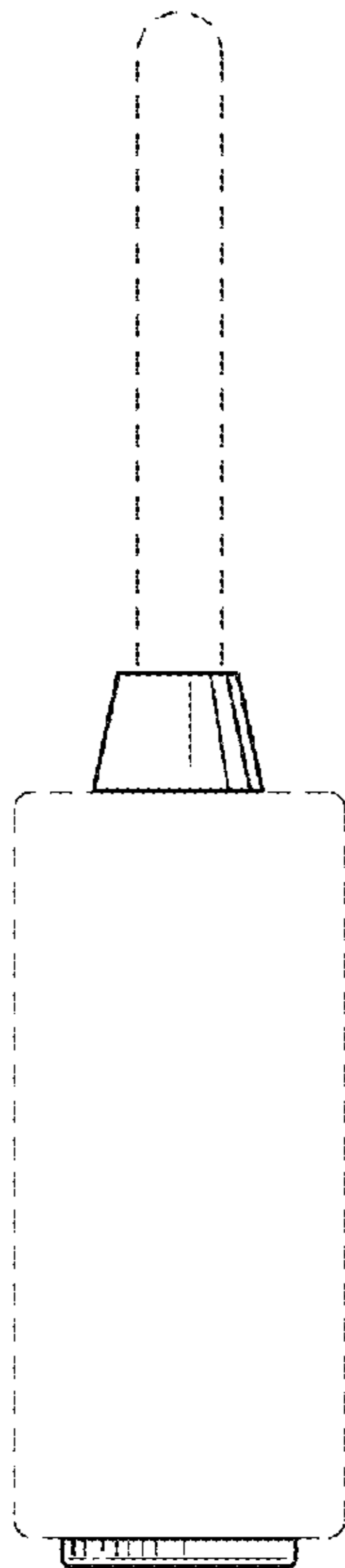


FIG. 4

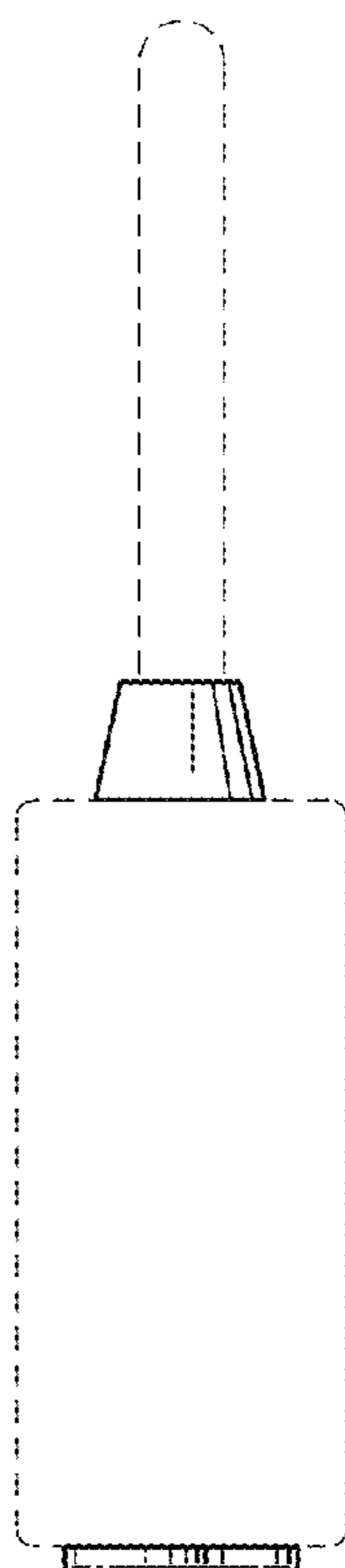


FIG. 5

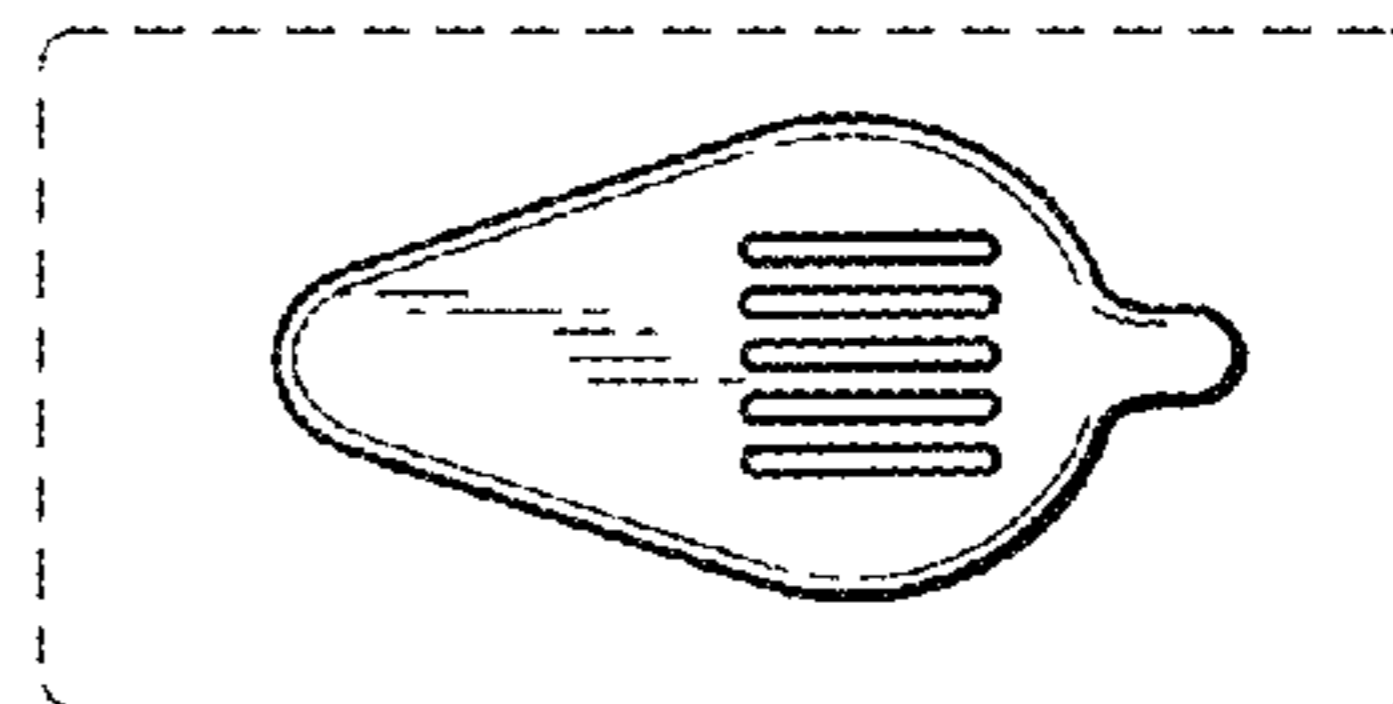


FIG. 6

