



US00D702101S

(12) **United States Design Patent**
Vanderbeek

(10) **Patent No.:** **US D702,101 S**

(45) **Date of Patent:** **** Apr. 8, 2014**

(54) **PRY BAR**

(75) Inventor: **Karl Vanderbeek**, West Hartford, CT (US)

(73) Assignee: **Stanley Black & Decker Inc.**, New Britain, CT (US)

(**) Term: **14 Years**

(21) Appl. No.: **29/418,023**

(22) Filed: **Apr. 11, 2012**

(51) **LOC (10) Cl.** **08-05**

(52) **U.S. Cl.**
USPC **D8/89**

(58) **Field of Classification Search**
USPC D8/12, 14, 16, 18-19, 75-81, 88, 89, D8/98; D32/46; D7/693; 7/166; 254/26 R, 254/131

See application file for complete search history.

(56) **References Cited**

U.S. PATENT DOCUMENTS

D45,761 S *	5/1914	Miller	D8/76
D59,371 S *	10/1921	Nelson	D8/89
D120,609 S *	5/1940	Arnsbarger	D8/76
D133,417 S *	8/1942	Ng	D8/98
D153,776 S *	5/1949	Eimmerman	D8/98
3,219,316 A *	11/1965	Fried	254/131
4,350,445 A *	9/1982	Olsson	366/343
D287,692 S *	1/1987	Brailsford	D8/16
D300,715 S *	4/1989	Ragoonath	D8/12
D301,969 S *	7/1989	Giordano	D8/76
D386,057 S *	11/1997	Hreha	D8/89

D422,147 S *	4/2000	King et al.	D4/138
D444,690 S *	7/2001	Bond	D8/89
D493,086 S *	7/2004	Taylor et al.	D8/89
D506,118 S *	6/2005	Rau et al.	D8/89
D507,728 S *	7/2005	Graff et al.	D8/18
D511,287 S *	11/2005	Lake	D8/89
D528,394 S *	9/2006	Lothe	D8/76
D562,101 S *	2/2008	Martone et al.	D8/89
D572,106 S *	7/2008	Chen	D8/89
D577,273 S *	9/2008	Chen	D8/89
D577,274 S *	9/2008	Chen	D8/89
D577,978 S *	10/2008	Chen	D8/89
D593,837 S *	6/2009	Lindskog	D8/89
D595,555 S *	7/2009	Vanderbeek	D8/89
D596,913 S *	7/2009	Anderson et al.	D8/89
D627,617 S *	11/2010	Chambers	D8/89
D638,184 S *	5/2011	Lesche	D32/46

* cited by examiner

Primary Examiner — Philip S Hyder
Assistant Examiner — Roselynn Cody
(74) *Attorney, Agent, or Firm* — John Yun

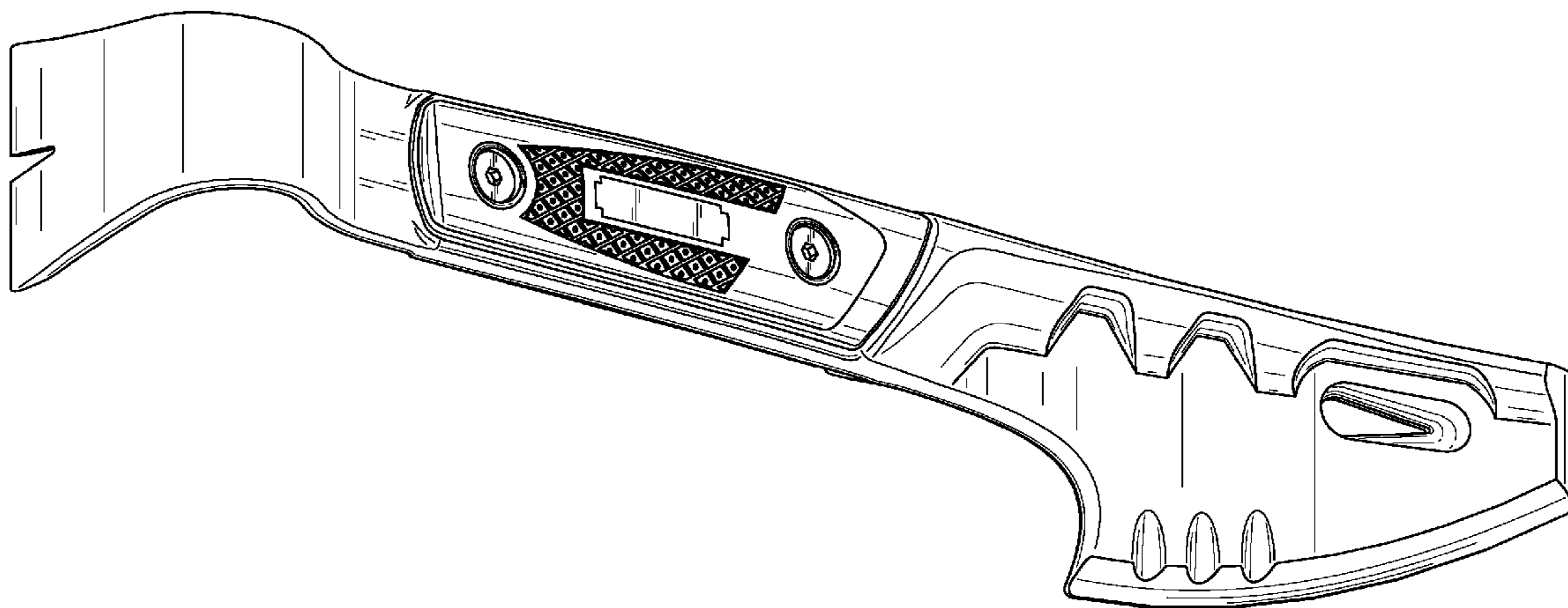
(57) **CLAIM**

The ornamental design for a pry bar, as shown and described.

DESCRIPTION

FIG. 1 is a perspective view of a pry bar showing my new design;
FIG. 2 is a right side view thereof
FIG. 3 is a left side view thereof;
FIG. 4 is a front view thereof;
FIG. 5 is a rear view thereof;
FIG. 6 is a bottom plan view thereof; and,
FIG. 7 is a top plan view thereof.

1 Claim, 6 Drawing Sheets



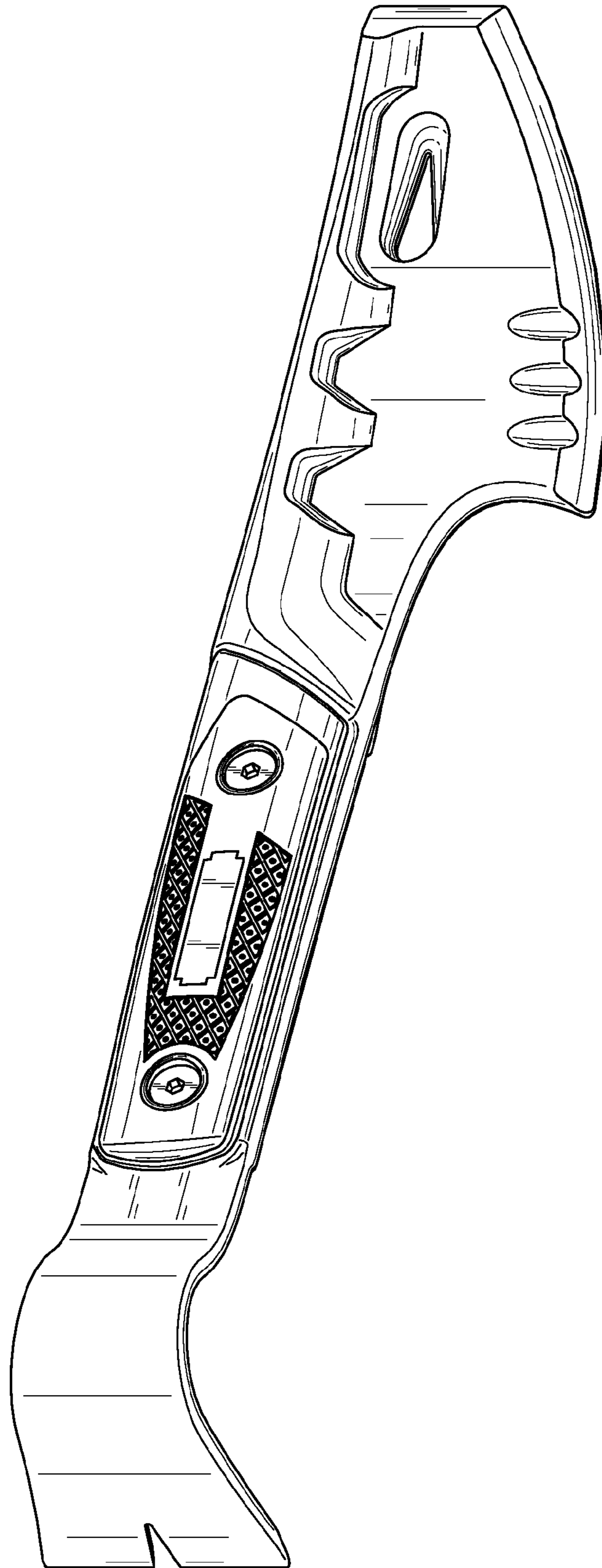


FIG. 1

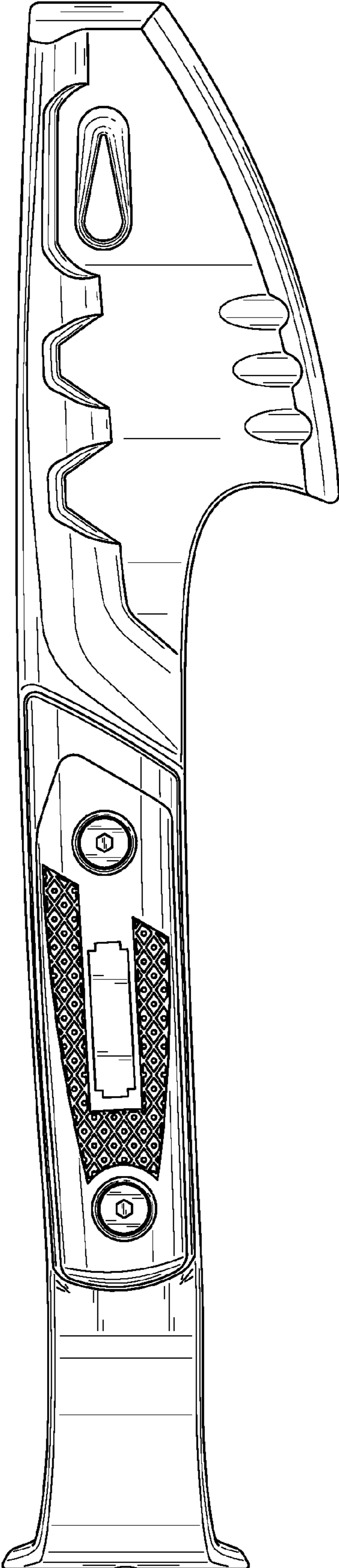


FIG. 2

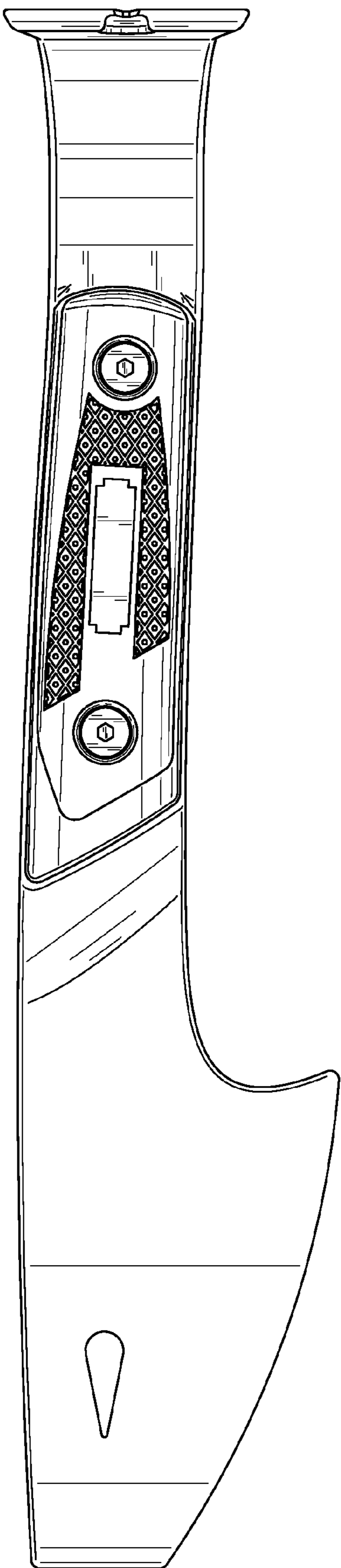


FIG. 3

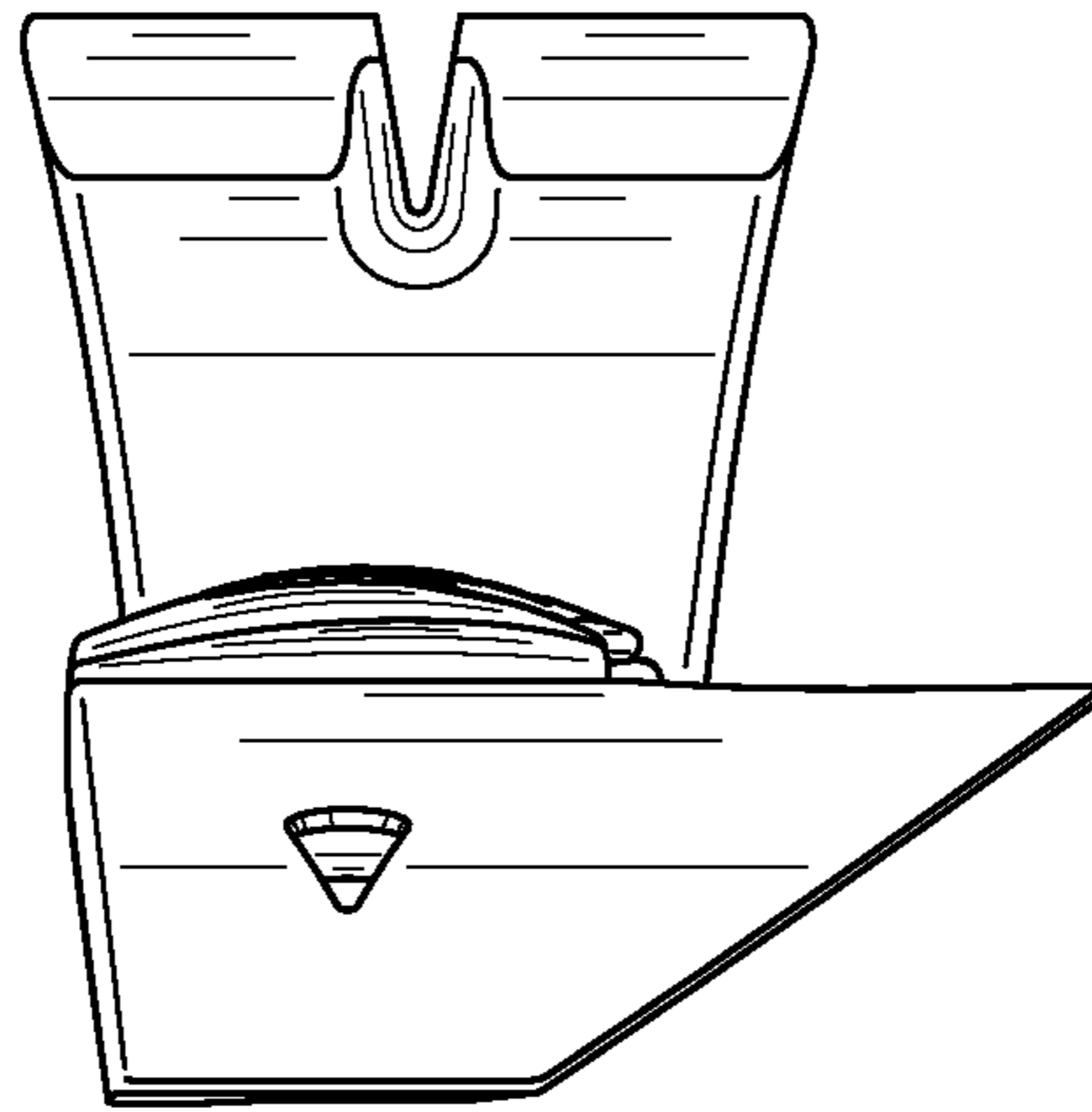


FIG. 5

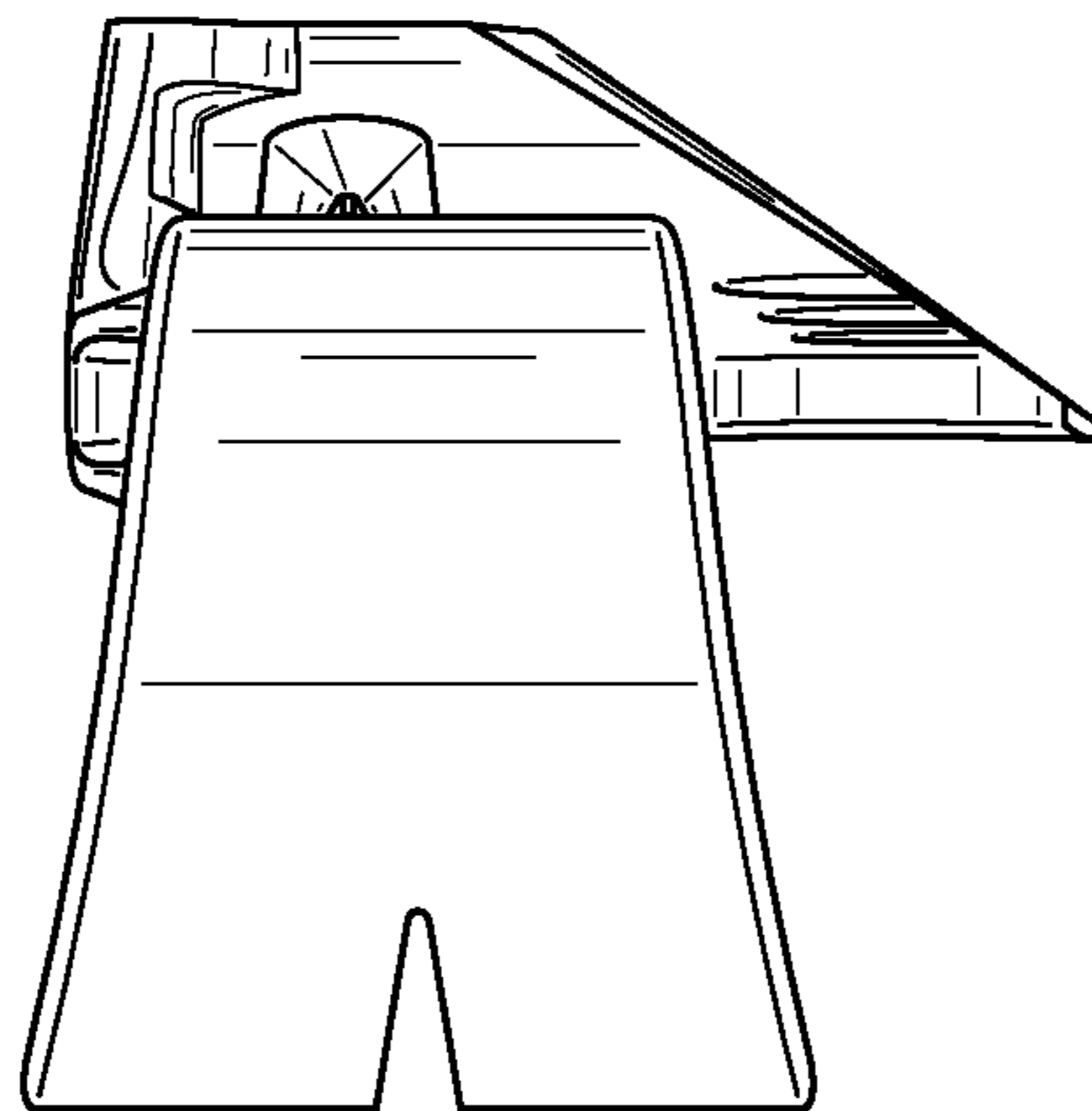


FIG. 4

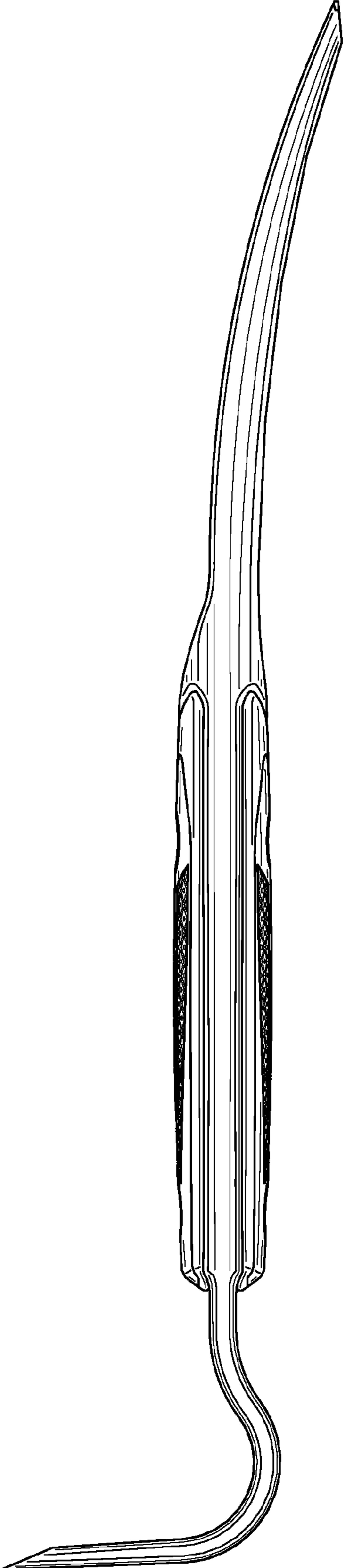


FIG. 6

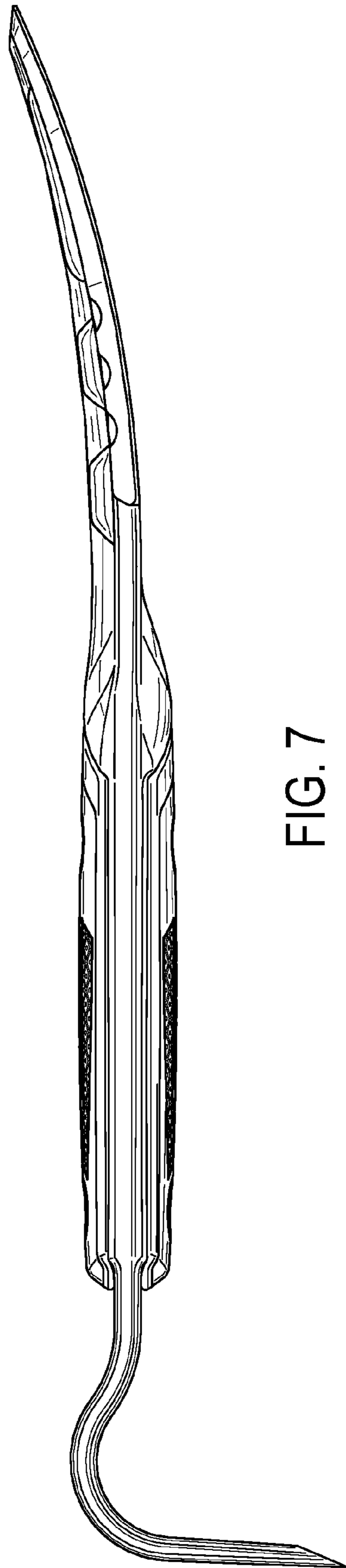


FIG. 7