



US00D702100S

(12) **United States Design Patent**
Larard

(10) **Patent No.:** **US D702,100 S**

(45) **Date of Patent:** **** Apr. 8, 2014**

(54) **LADDER CLAMP**

(71) Applicant: **I & S Larard Pty Ltd**, Yelarbon (AU)

(72) Inventor: **Ian Larard**, Yelarbon (AU)

(73) Assignee: **I & S Larard Pty Ltd**, Queensland (AU)

(**) Term: **14 Years**

(21) Appl. No.: **29/439,617**

(22) Filed: **Dec. 13, 2012**

(30) **Foreign Application Priority Data**

Jun. 15, 2012 (AU) 12841/2012

(51) **LOC (10) Cl.** **08-05**

(52) **U.S. Cl.**
USPC **D8/72**

(58) **Field of Classification Search**

USPC D8/71-74, 394-399, 59; 182/206;
248/62, 63, 72, 74.1, 689, 124.2;
81/487; 269/3, 4, 6, 143, 165, 240,
269/243, 246-249, 254 R, 147-149; 29/256,
29/257, 276; D15/140; D24/143; 408/103,
408/104-109

See application file for complete search history.

(56) **References Cited**

U.S. PATENT DOCUMENTS

1,717,486 A * 6/1929 Allen et al. 248/509
2,550,365 A * 4/1951 McKenzie 81/363
3,414,315 A * 12/1968 O'Quinn 294/104
3,910,380 A * 10/1975 Nameche 182/206
5,092,427 A * 3/1992 MacMillan 269/86
D365,512 S * 12/1995 Mason D8/394
D393,790 S * 4/1998 King, Jr. D8/71
D513,971 S * 1/2006 Gaster D8/395
D515,410 S * 2/2006 Tracy D8/395

7,134,525 B1 * 11/2006 Ferris 182/206
7,140,582 B1 * 11/2006 Miller et al. 269/166
7,219,766 B2 * 5/2007 Deuer 182/206
D672,229 S * 12/2012 Reid D8/396

* cited by examiner

Primary Examiner — David Muller

(74) *Attorney, Agent, or Firm* — Renner, Otto, Boisselle & Sklar, LLP

(57) **CLAIM**

The ornamental design for a ladder clamp, as shown and described.

DESCRIPTION

FIG. 1 is a front perspective view of a clamp with the lever in the middle open position showing my design;

FIG. 2 is a front perspective view of the clamp with the lever in the closed left position;

FIG. 3 is a front view of the clamp with the lever in the middle open position;

FIG. 4 is a rear view of the clamp with the lever in the middle open position;

FIG. 5 is a front view of the clamp with the lever in the left closed position;

FIG. 6 is a front view of the clamp with the lever in the open middle position;

FIG. 7 is a front view of the clamp with the lever in the right closed position;

FIG. 8 is a front side view of the clamp with the lever in the middle open position;

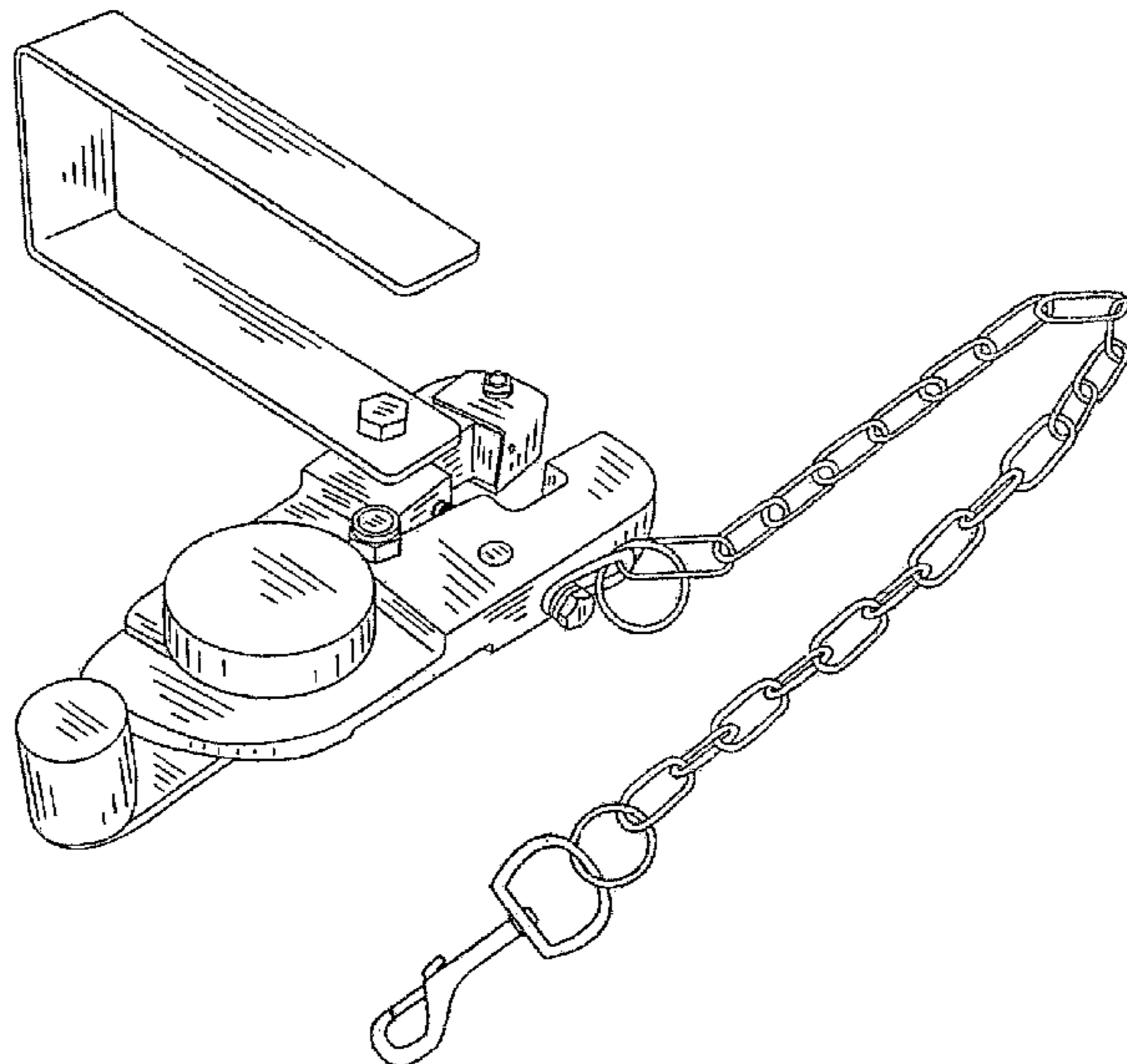
FIG. 9 is a front view of the clamp with the lever in the middle open position;

FIG. 10 is a second side view of the clamp with the lever in the left closed position; and,

FIG. 11 is a front view of the clamp with the lever in the left closed position.

The features shown in broken lines depict environmental structure only and form no part of the claimed design.

1 Claim, 4 Drawing Sheets



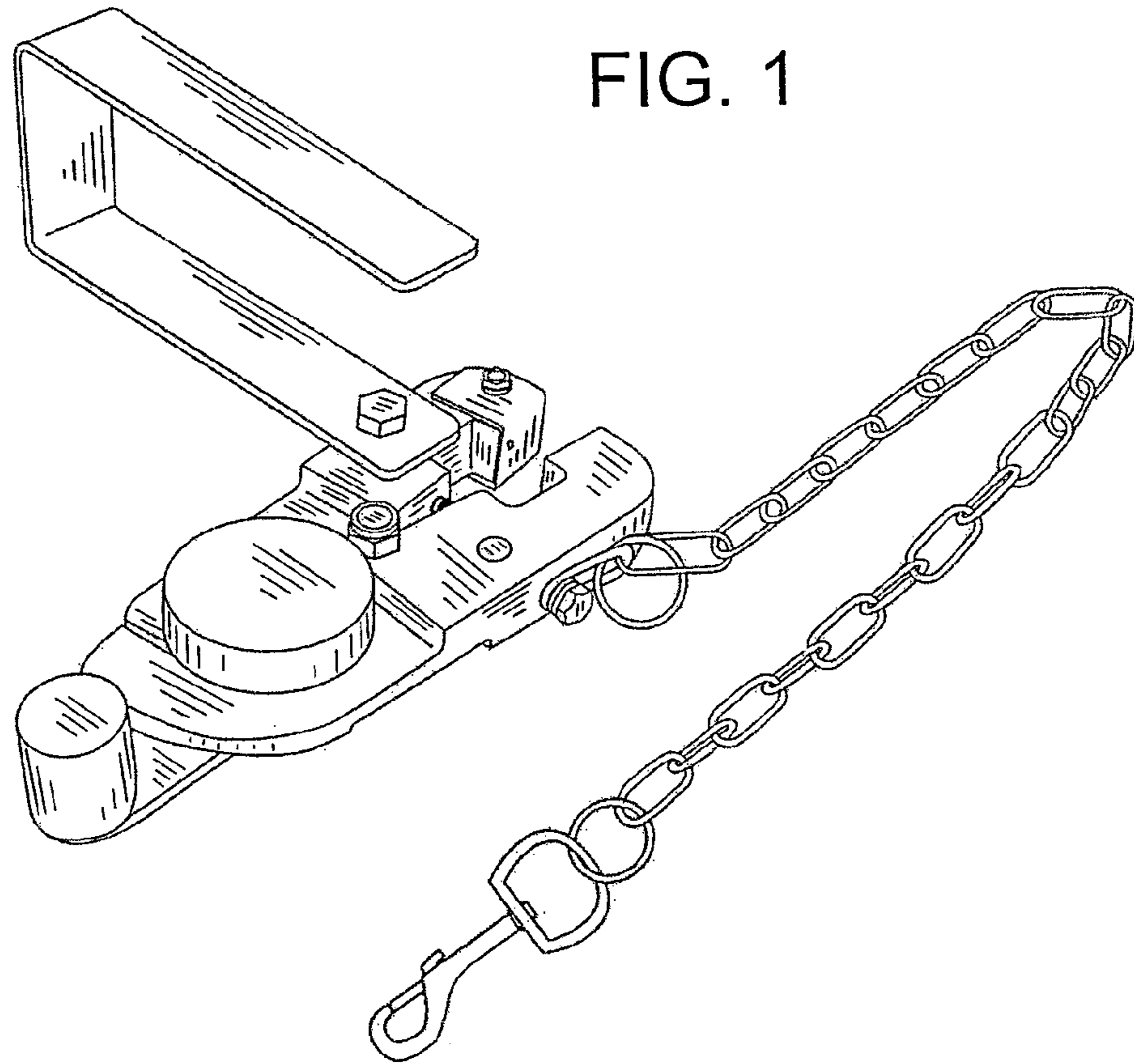


FIG. 1

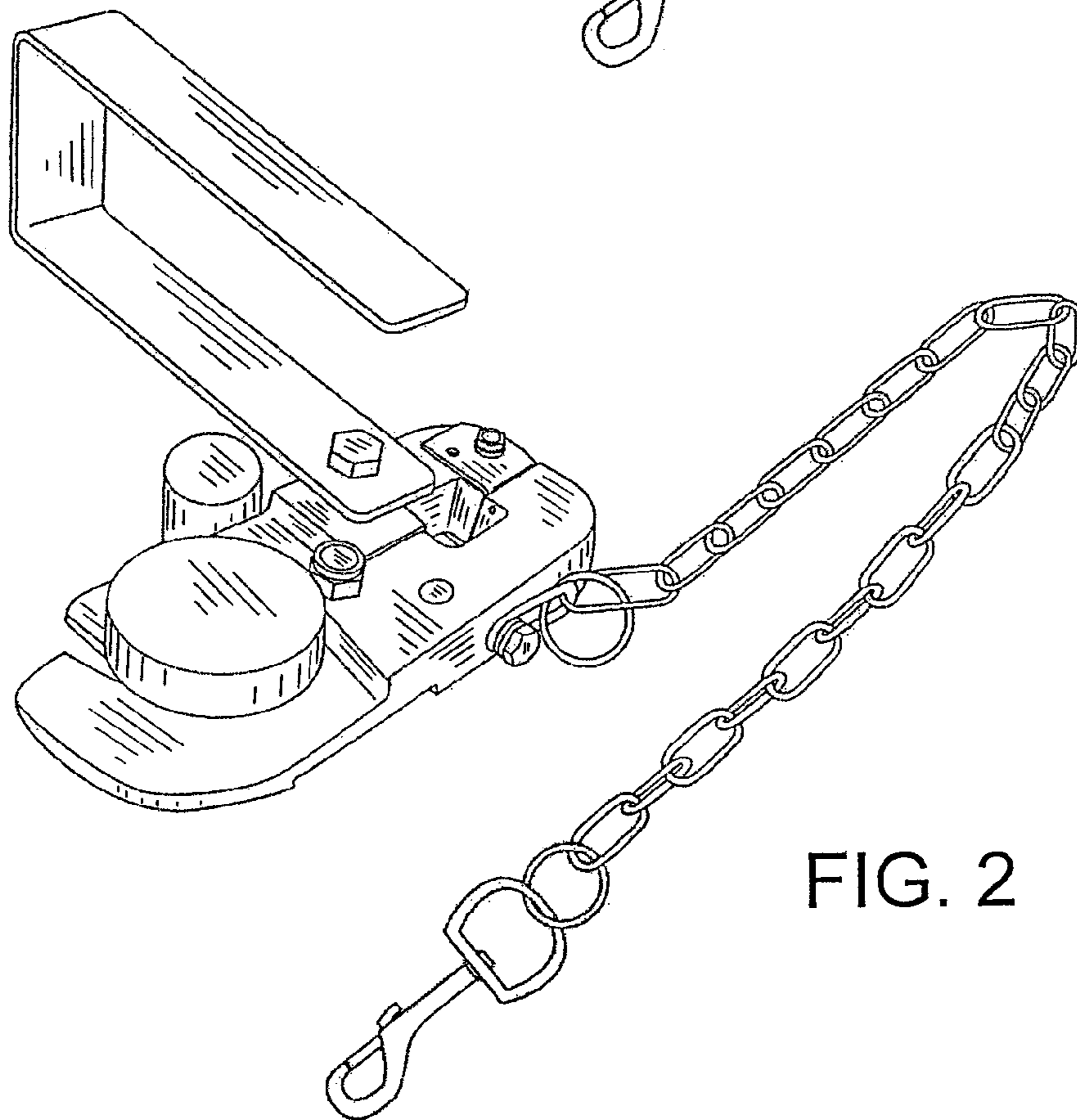


FIG. 2

FIG. 3

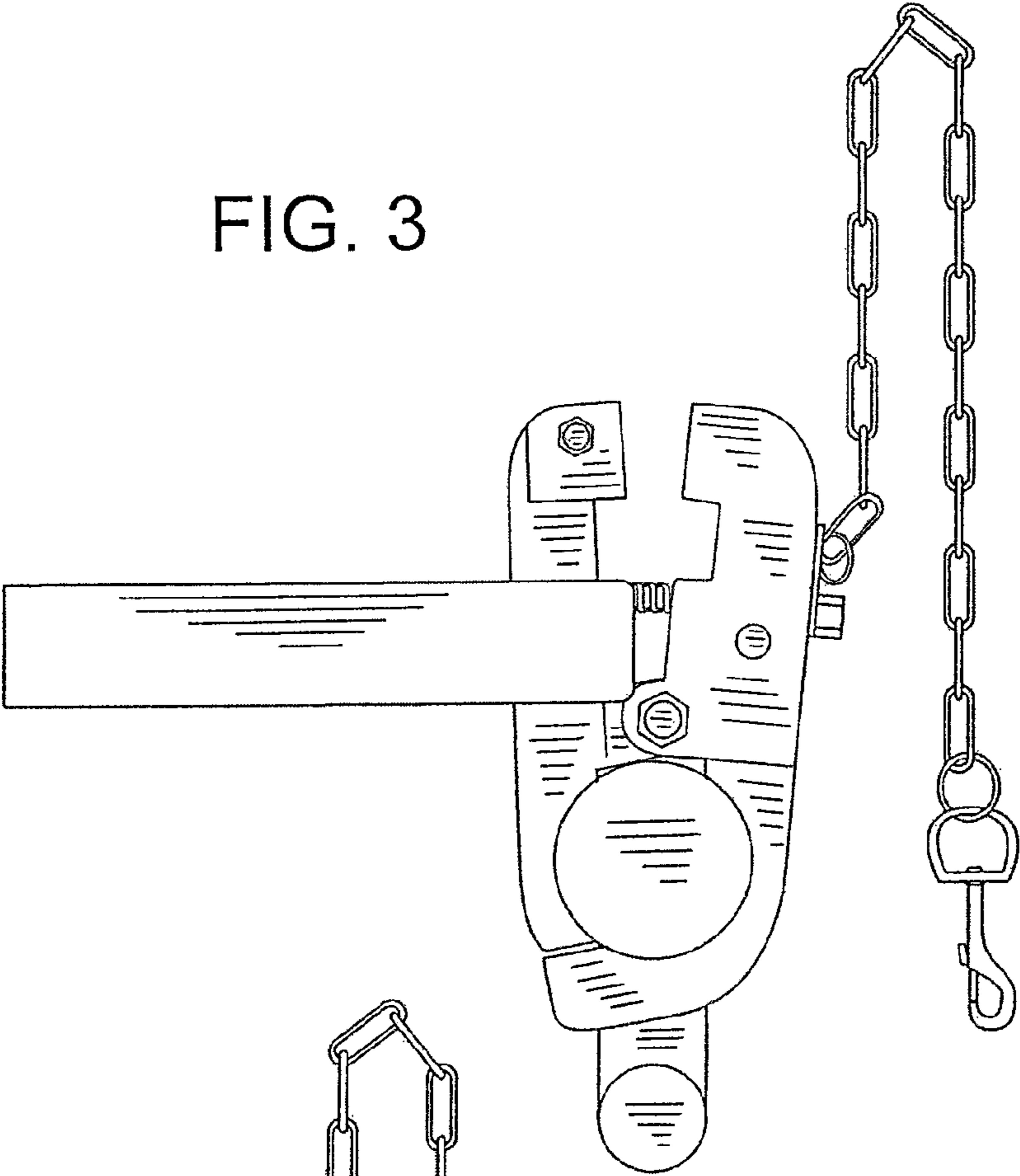
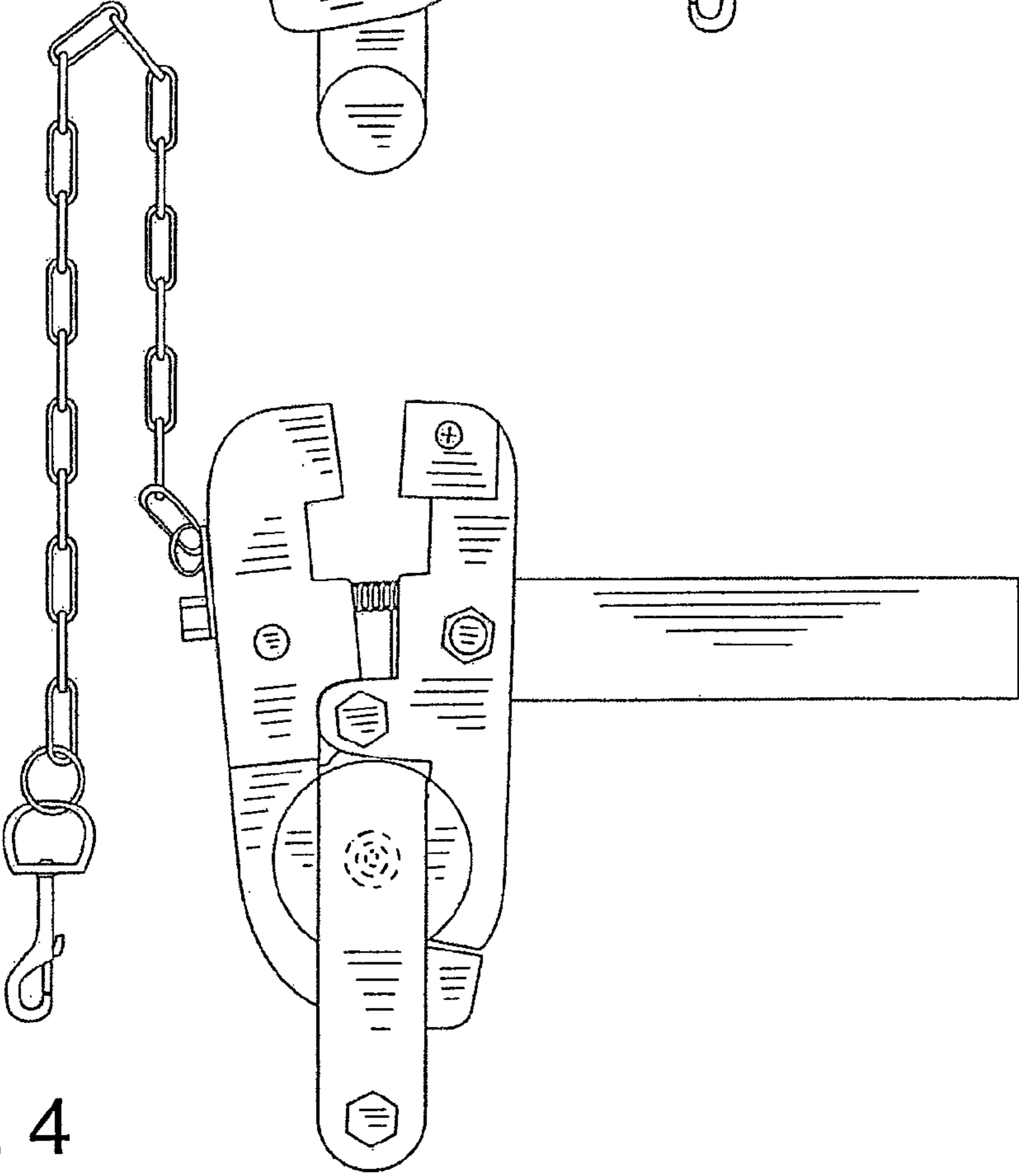


FIG. 4



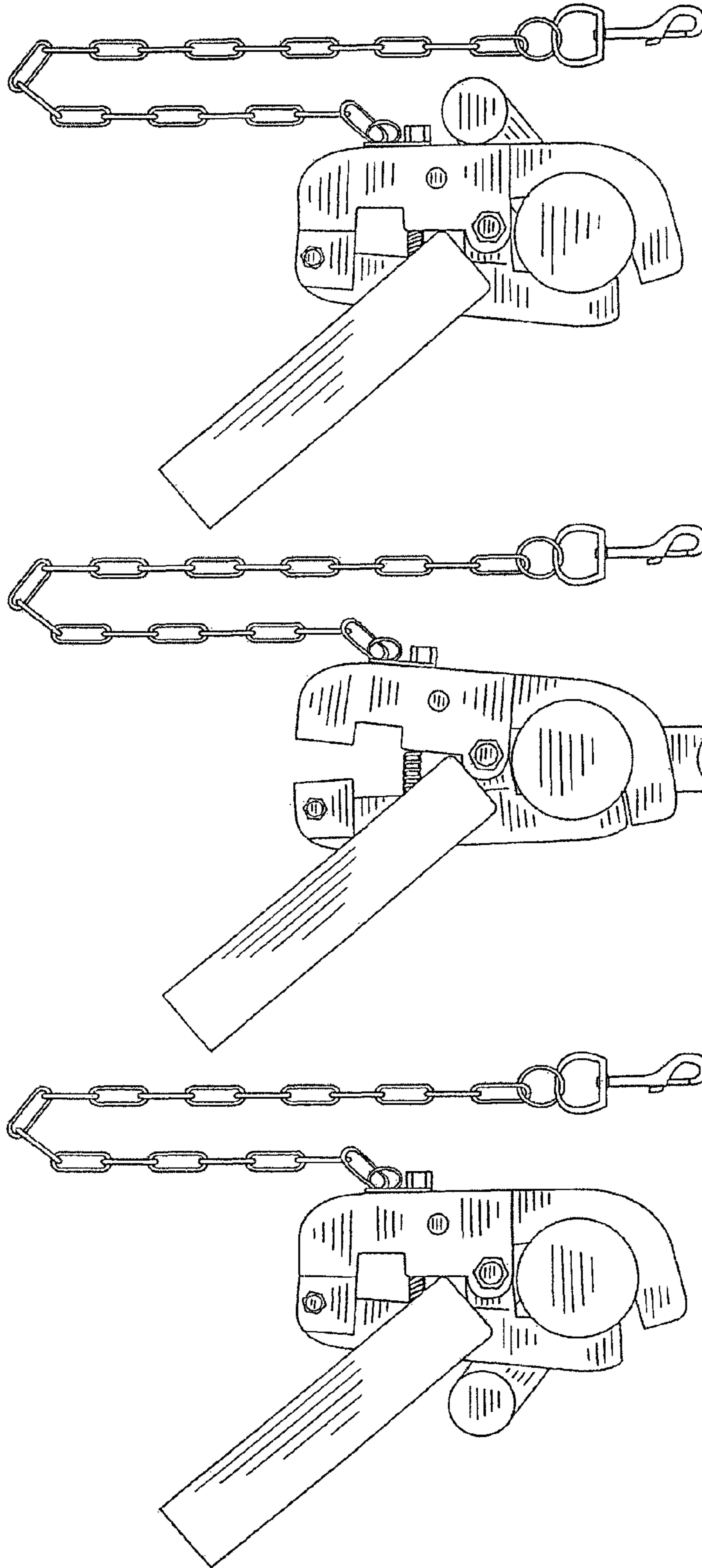


FIG. 7

FIG. 6

FIG. 5

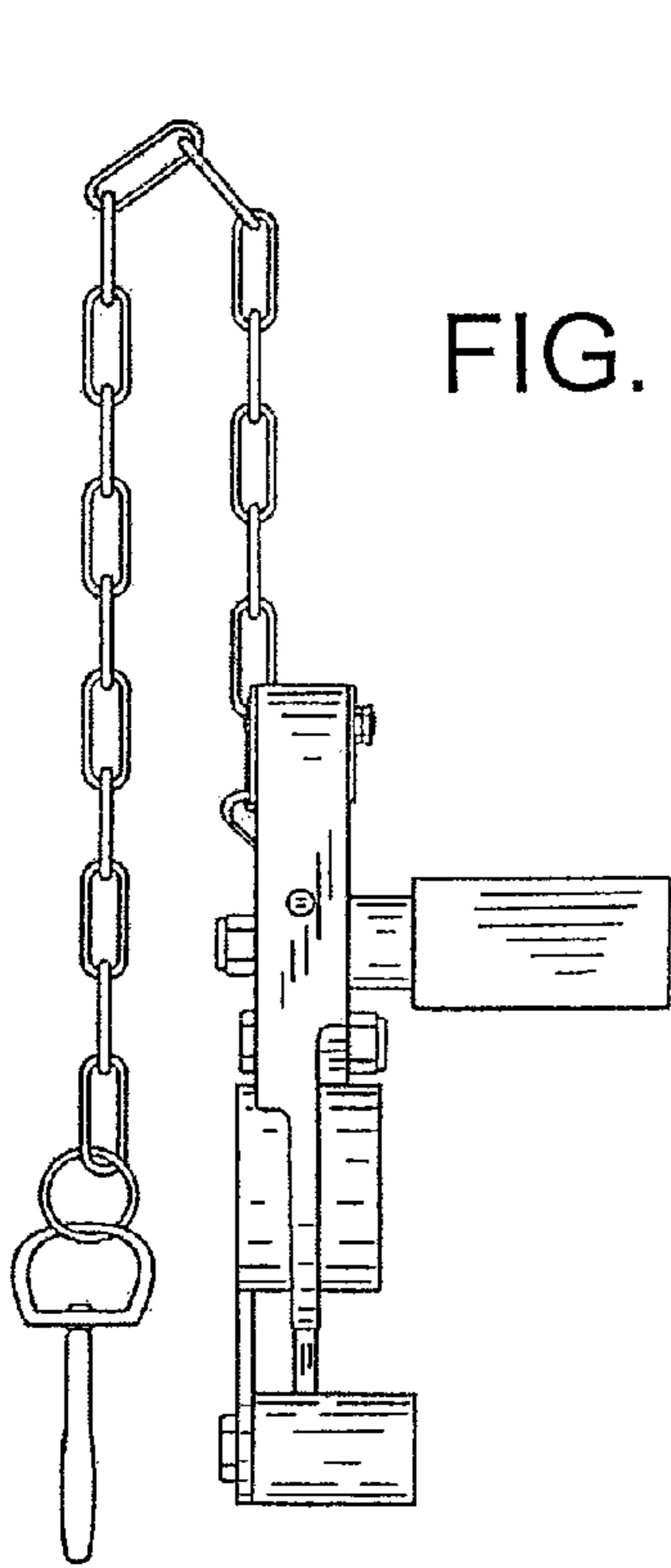


FIG. 8

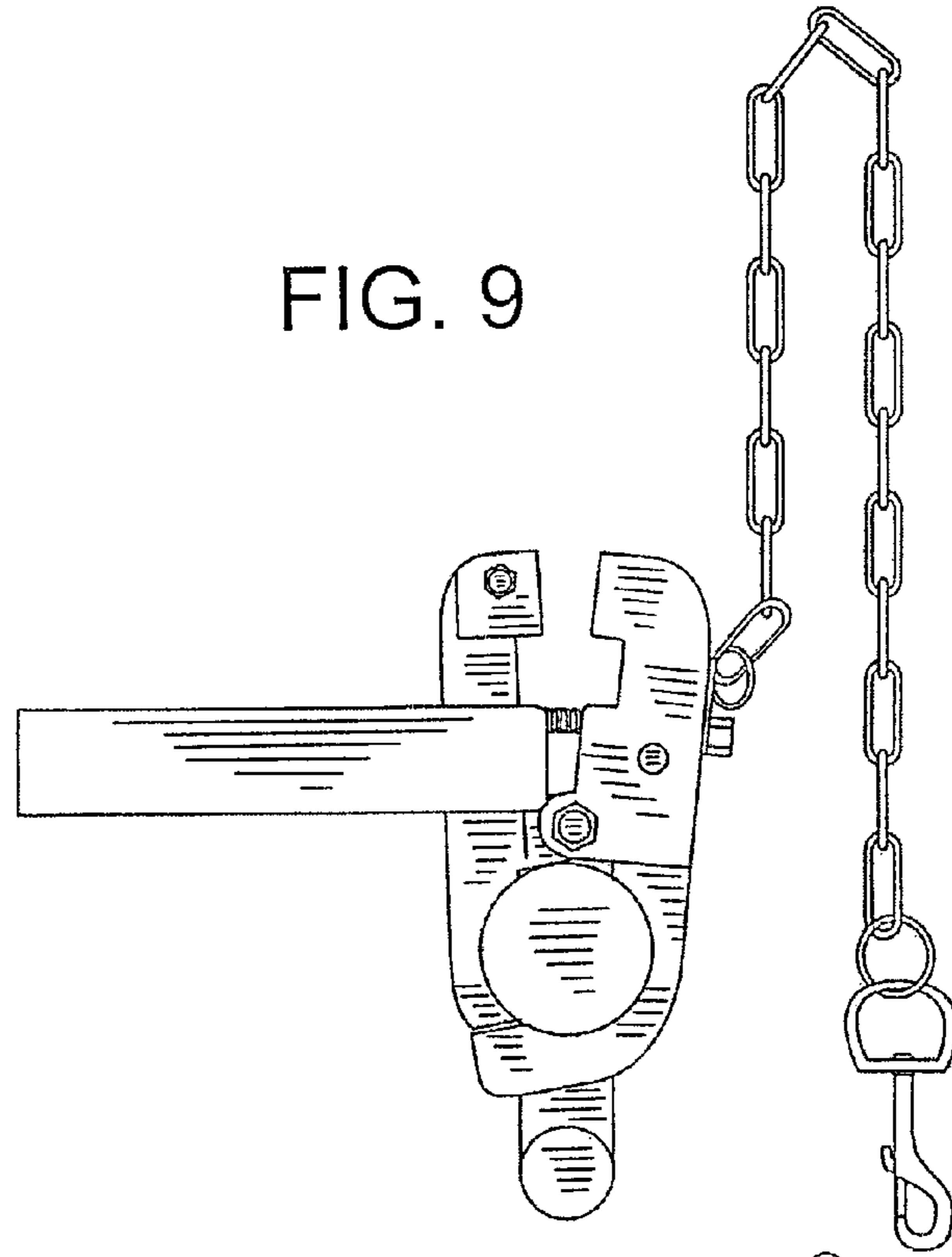


FIG. 9

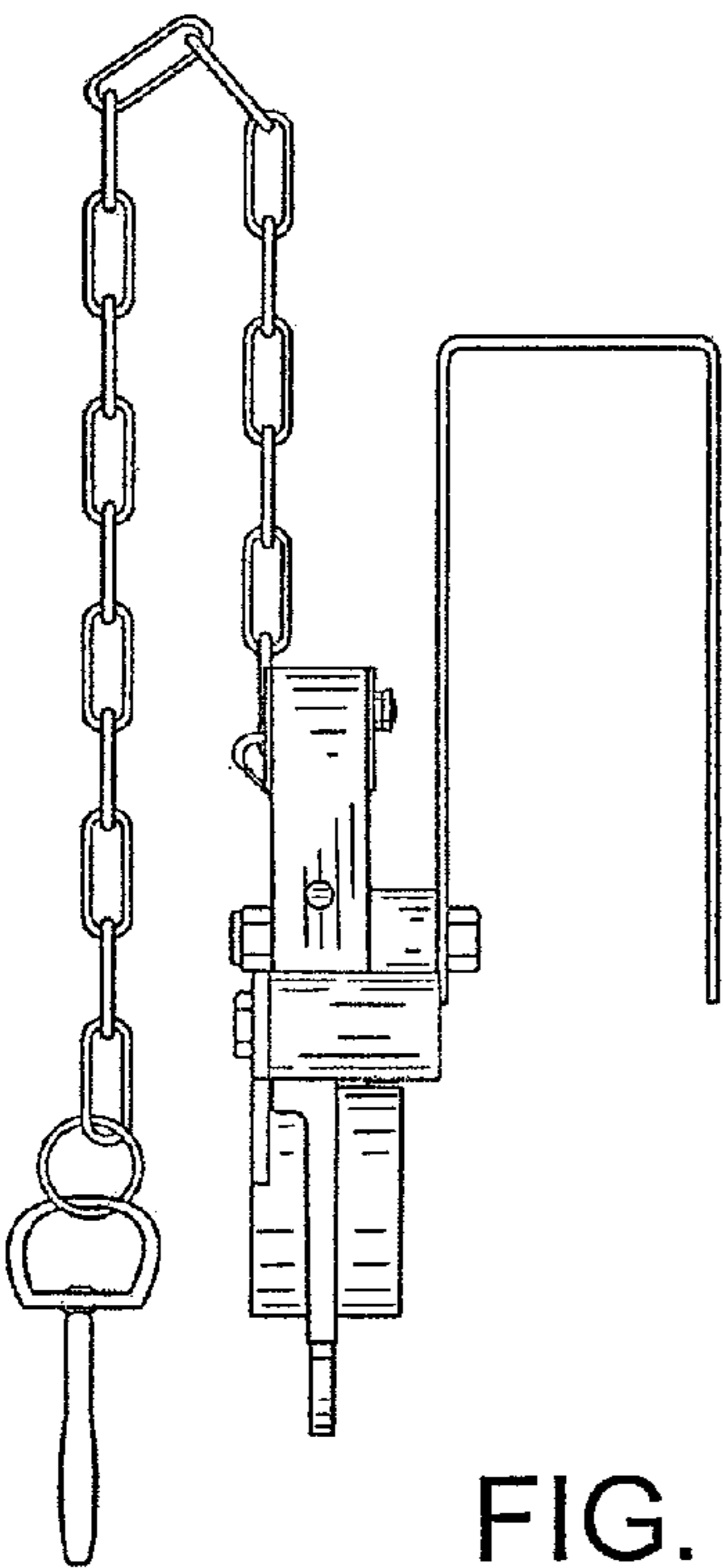


FIG. 10

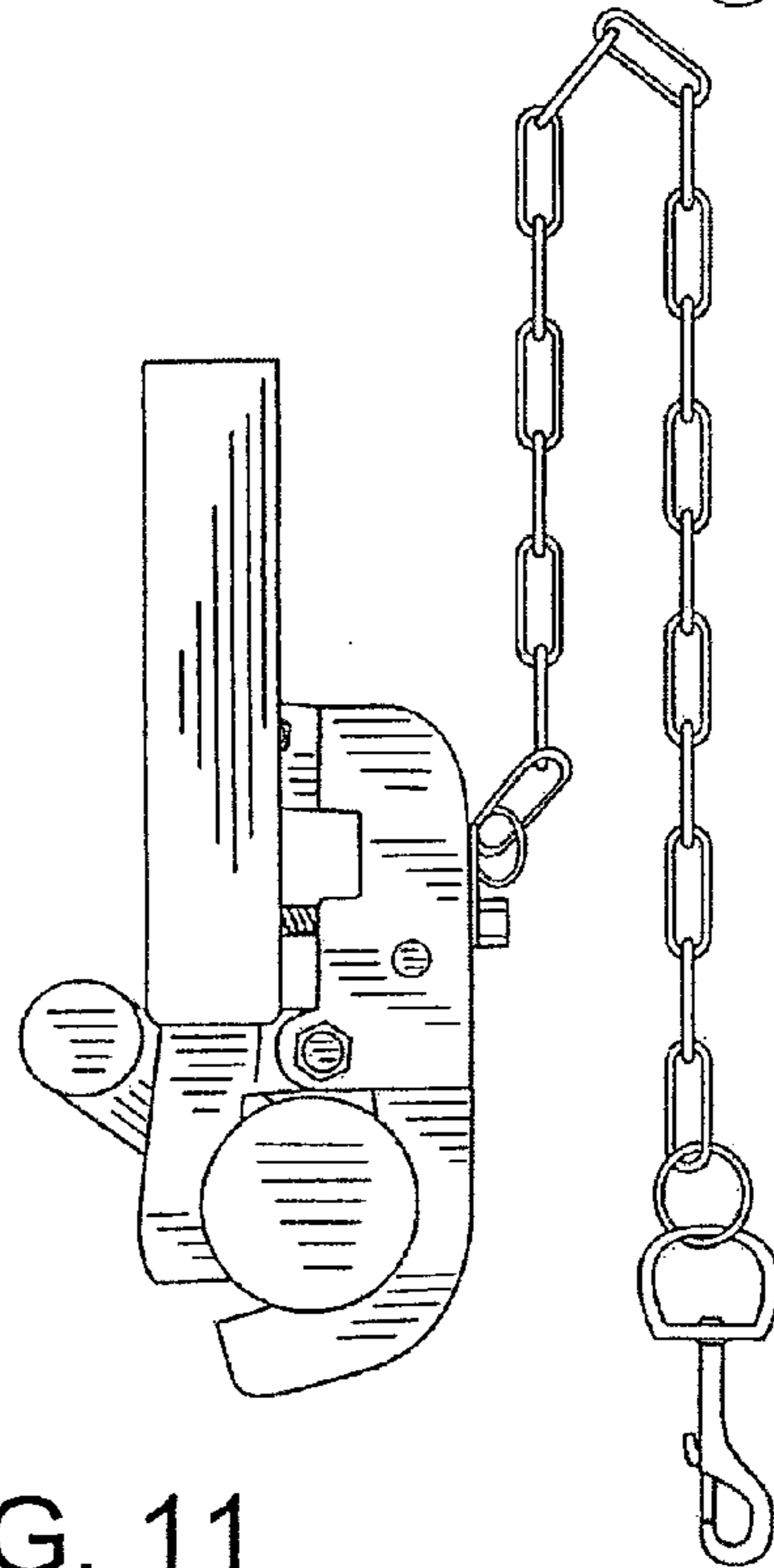


FIG. 11