

US00D702099S

(12) **United States Design Patent**  
**Yaschur**

(10) **Patent No.:** **US D702,099 S**

(45) **Date of Patent:** **\*\* Apr. 8, 2014**

(54) **ANGLE HEAD FOR A GRINDER OR SANDER**

(75) Inventor: **Jefferey Clifford Yaschur**, Doylestown, PA (US)

(73) Assignee: **Ingersoll-Rand Company**, Davidson, NC (US)

(\*\*) Term: **14 Years**

(21) Appl. No.: **29/423,005**

(22) Filed: **May 25, 2012**

(51) **LOC (10) Cl.** ..... **08-03**

(52) **U.S. Cl.**  
USPC ..... **D8/70; D15/140**

(58) **Field of Classification Search**  
USPC ..... D8/61-70; D15/138-140; 16/426;  
30/388; 81/54, 57, 57.11, 57.3;  
173/164, 169, 170, 213, 216, 217;  
408/240; 451/344, 357, 358, 359  
See application file for complete search history.

(56) **References Cited**

**U.S. PATENT DOCUMENTS**

D310,772	S *	9/1990	Johnson	.....	D8/70
D341,530	S *	11/1993	Staubitz et al.	.....	D8/61
6,009,776	A *	1/2000	Warren	.....	81/57.29
D439,124	S *	3/2001	Duennes	.....	D8/70
D466,783	S *	12/2002	Jamra et al.	.....	D8/70
D513,692	S *	1/2006	Baker et al.	.....	D8/70
7,052,382	B2 *	5/2006	Baker	.....	451/344
7,077,736	B2 *	7/2006	Uzumcu et al.	.....	451/359
7,207,394	B2	4/2007	Young		
D587,978	S *	3/2009	Aglassinger	.....	D8/70
D623,033	S *	9/2010	Trochum	.....	D8/62
D638,453	S *	5/2011	Buhr et al.	.....	D15/140
D667,854	S *	9/2012	Kammerer et al.	.....	D15/140
2008/0003070	A1 *	1/2008	Hor	.....	408/124

**OTHER PUBLICATIONS**

Industrial Surface Preparation, Product Listing and Description, Ingersoll Rand Industrial Technologies, © 2010 Ingersoll-Rand Company Limited, 63 pages.

\* cited by examiner

*Primary Examiner* — Philip S Hyder

*Assistant Examiner* — Darlington Ly

(74) *Attorney, Agent, or Firm* — Myers Bigel Sibley & Sajovec, P.A.

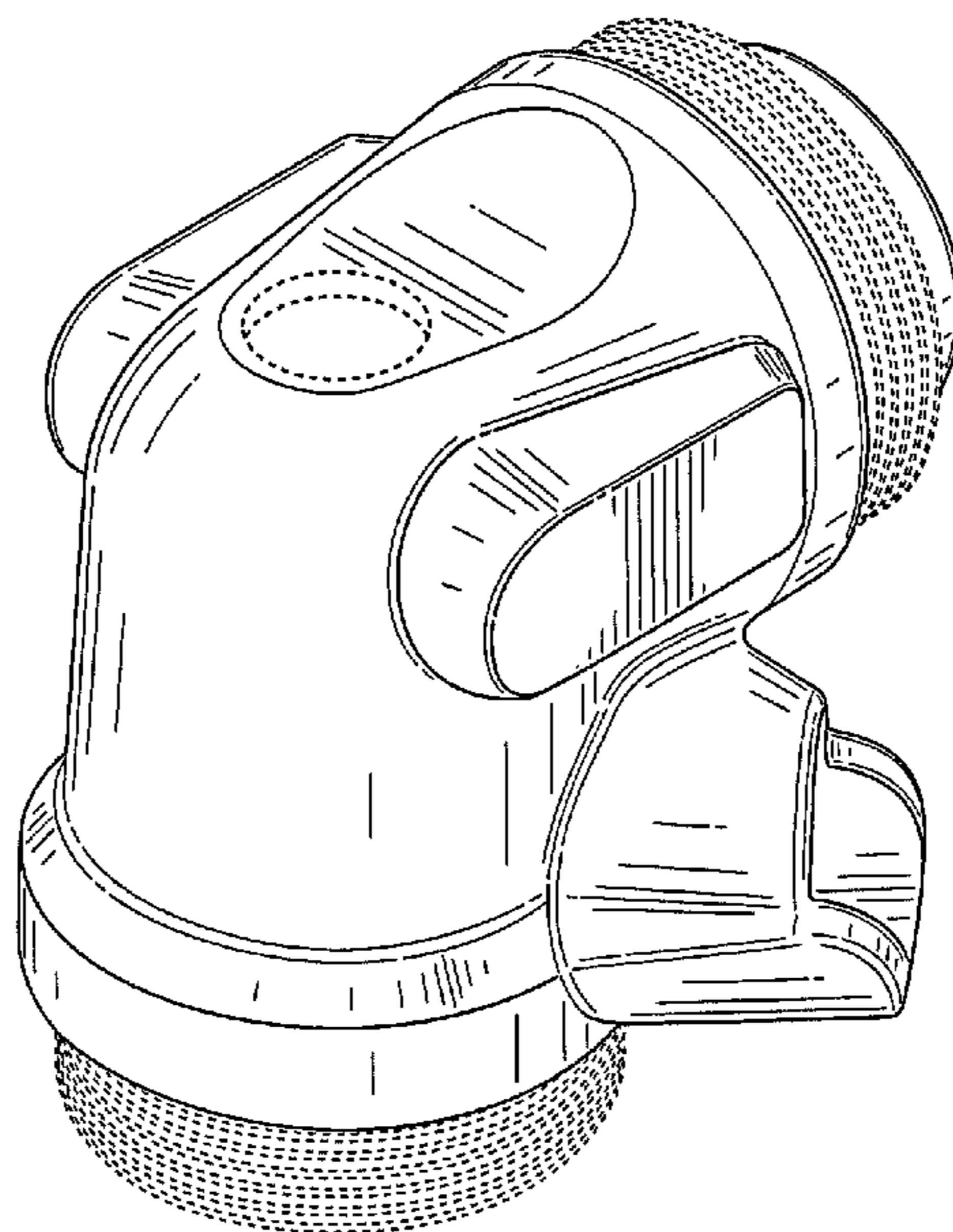
(57) **CLAIM**

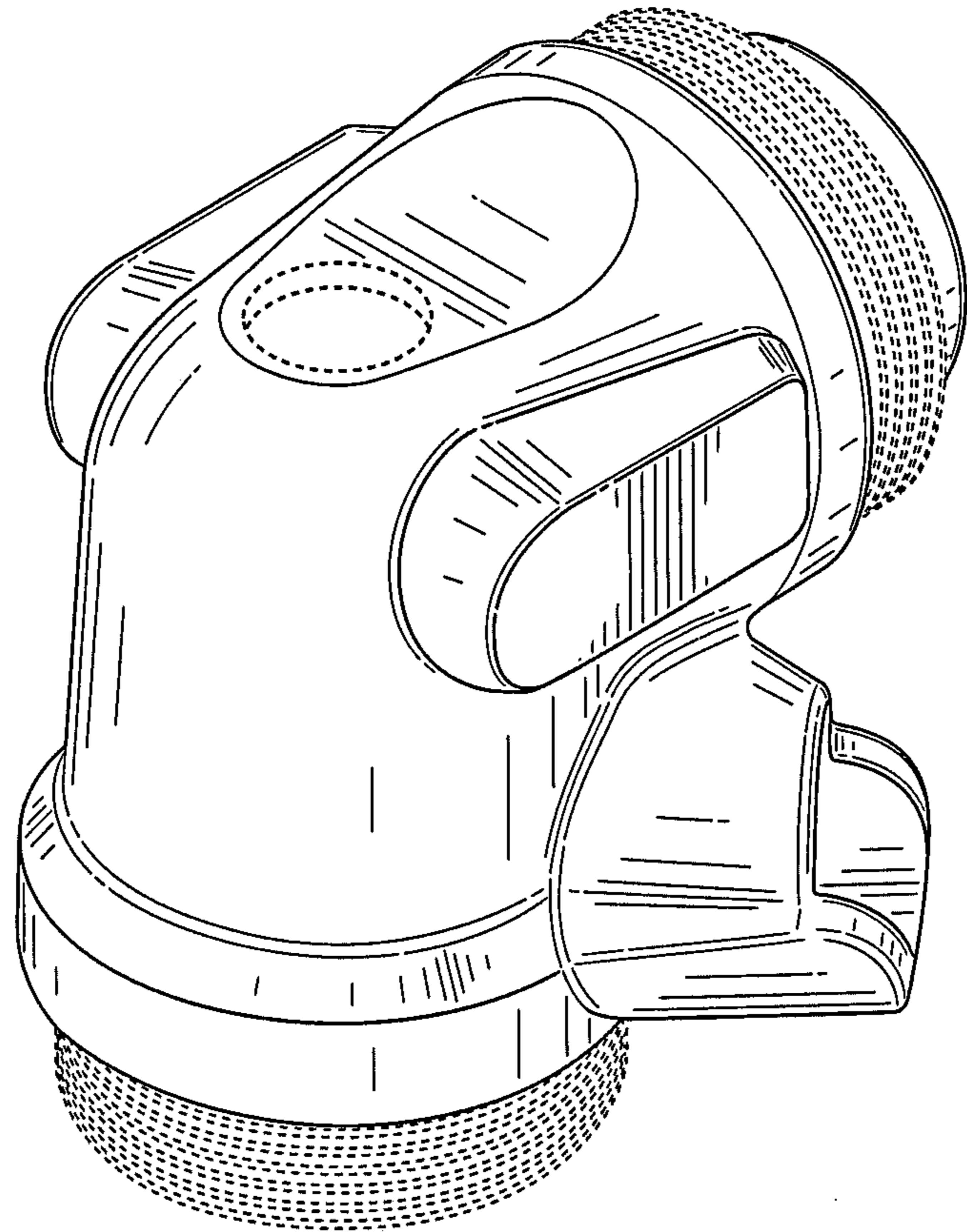
The ornamental design for an angle head for a grinder or sander, as shown and described.

**DESCRIPTION**

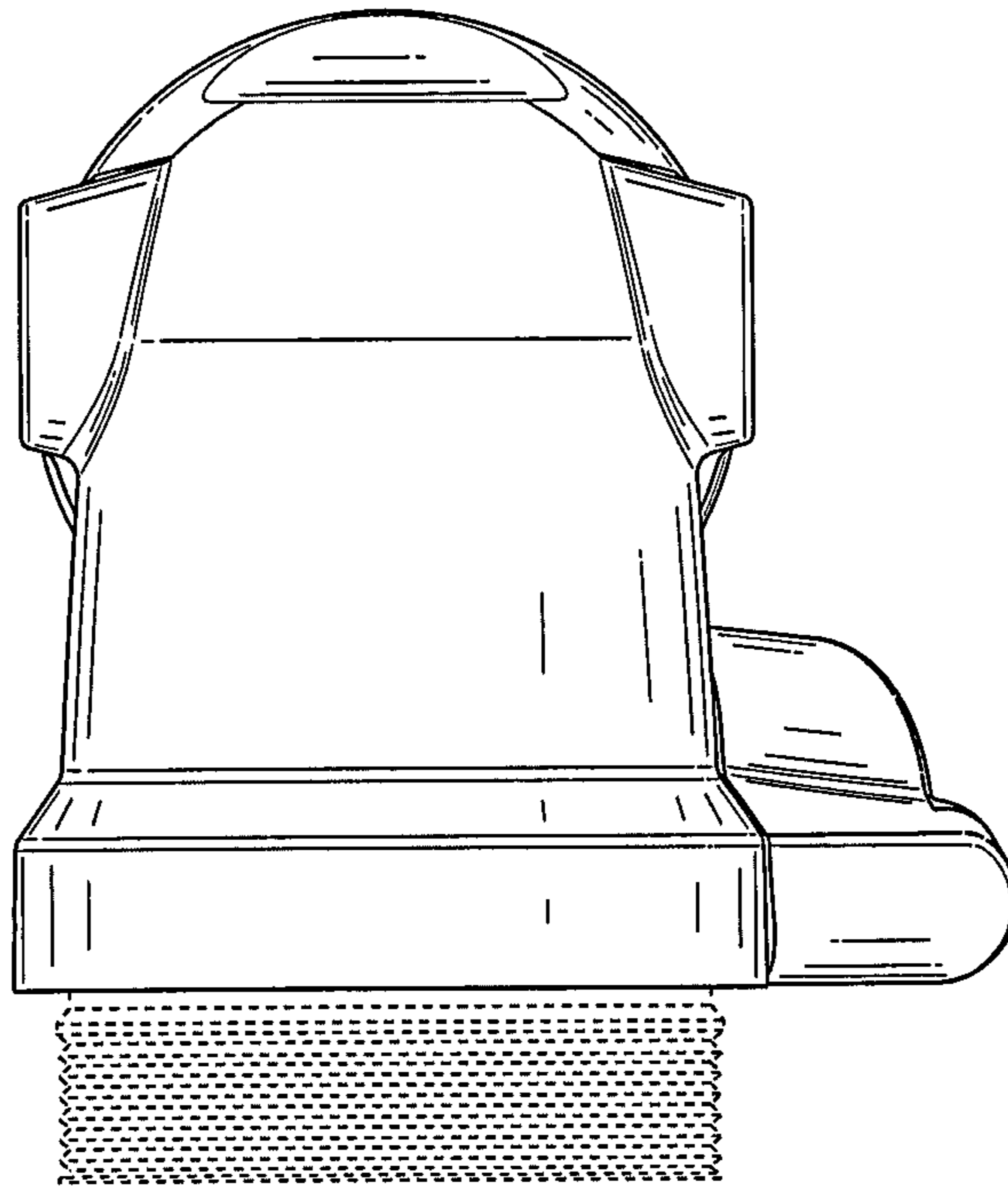
FIG. 1 is a front perspective view of an angle head for a grinder or sander, showing my new design;  
FIG. 2 is a rear view thereof;  
FIG. 3 is a bottom view thereof;  
FIG. 4 is a front view thereof;  
FIG. 5 is a top plan view thereof;  
FIG. 6 is a side view thereof;  
FIG. 7 is an opposing side view thereof;  
FIG. 8 is a front perspective view of another embodiment of the angle head for a grinder or sander;  
FIG. 9 is a rear view thereof;  
FIG. 10 is a bottom view thereof;  
FIG. 11 is front view thereof;  
FIG. 12 is a top plan view thereof;  
FIG. 13 is a side view thereof; and,  
FIG. 14 is an opposing side view thereof.  
The broken lines shown in the drawings illustrate portions of the angle head for a grinder or sander that form no part of the claimed design.

**1 Claim, 8 Drawing Sheets**

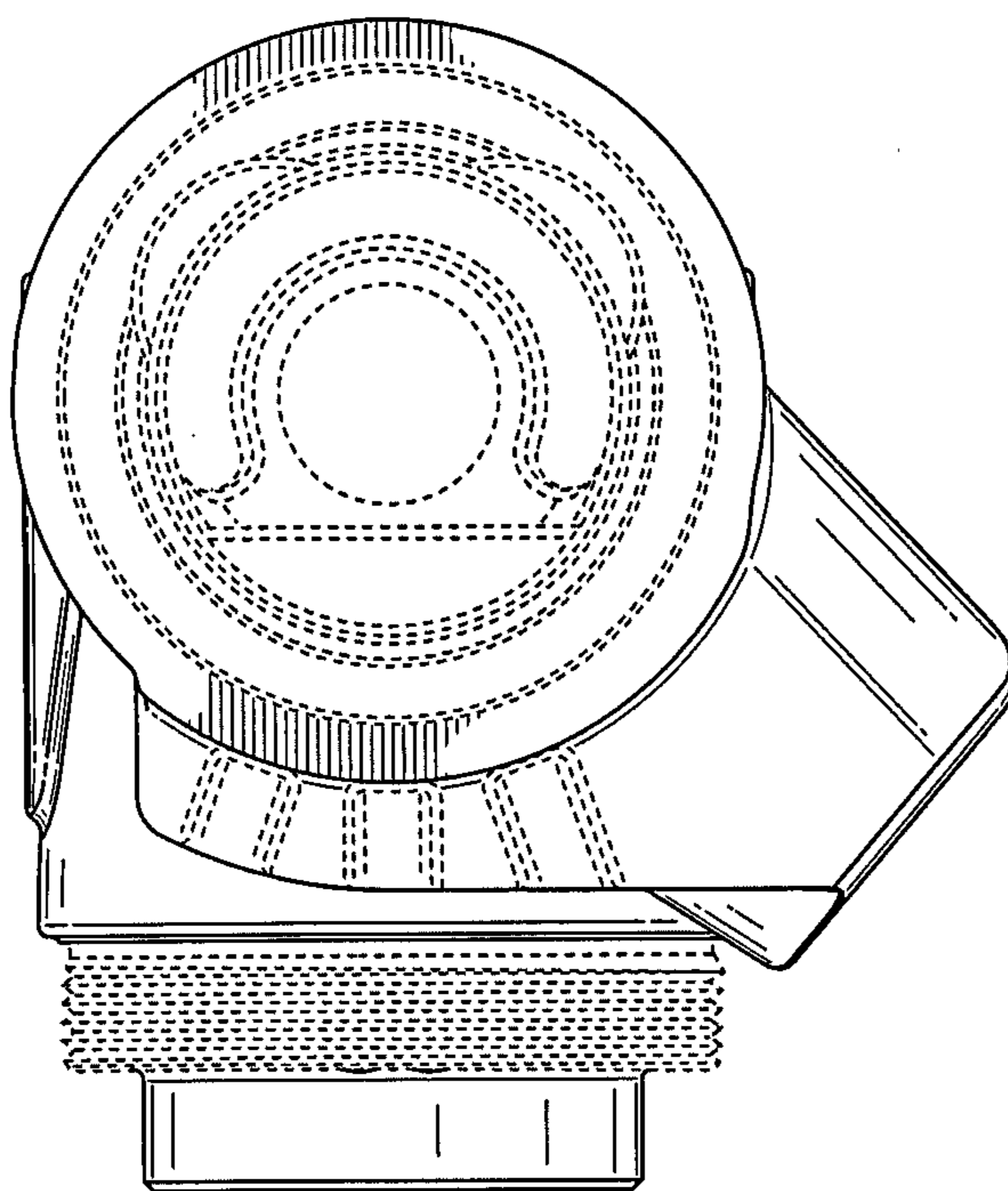




**FIG. 1**



**FIG. 2**



**FIG. 3**

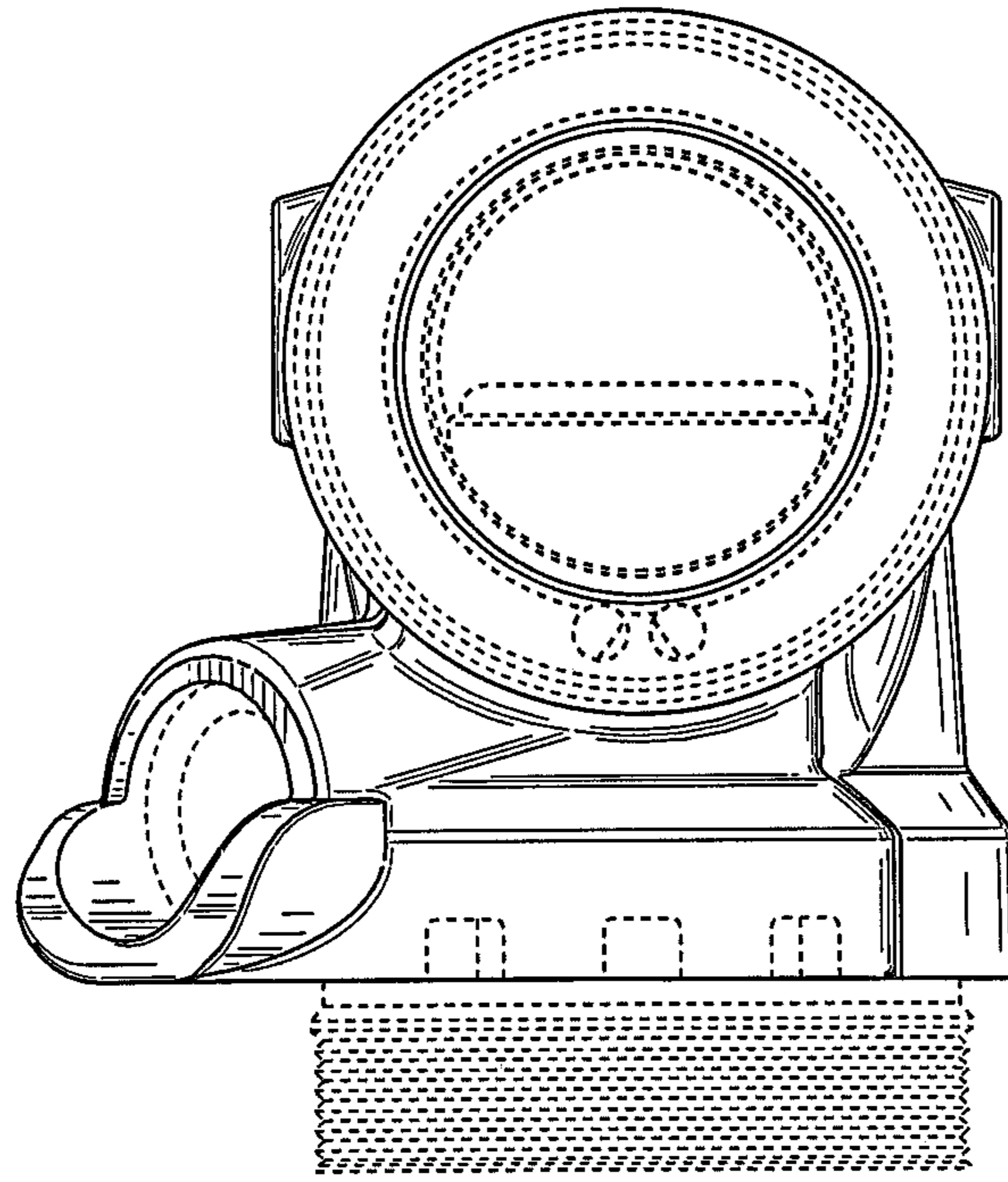


FIG. 4

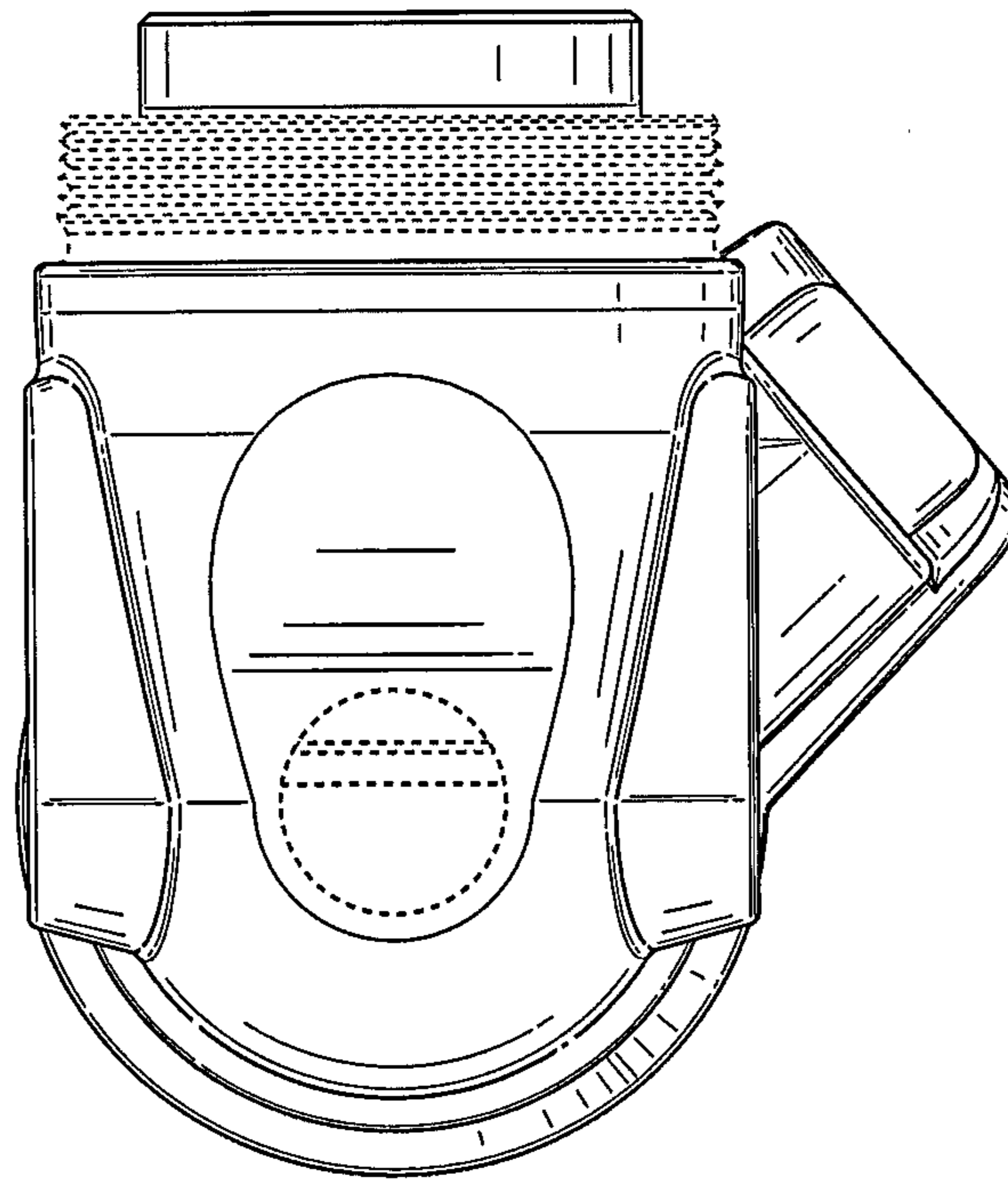


FIG. 5

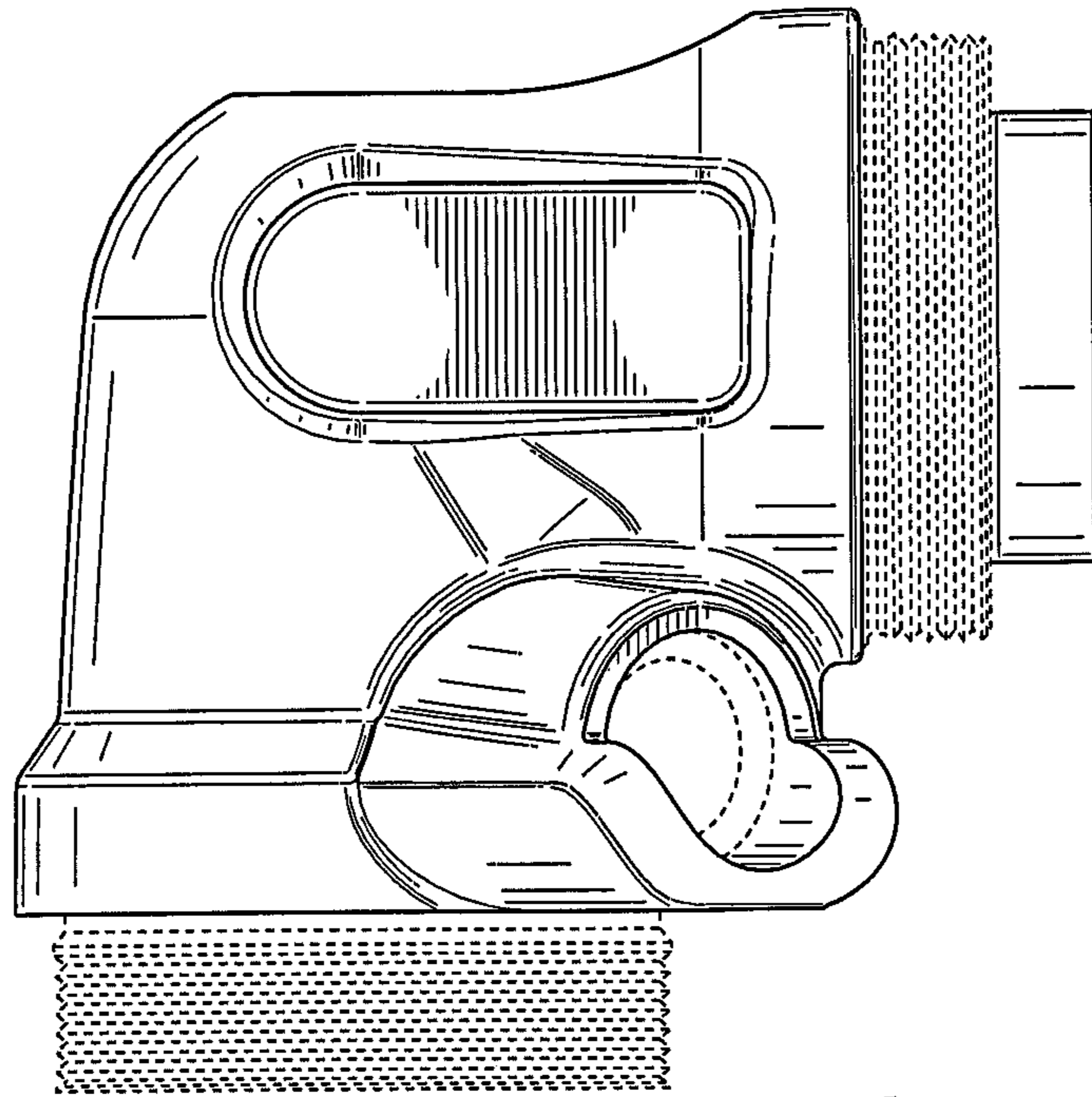


FIG. 6

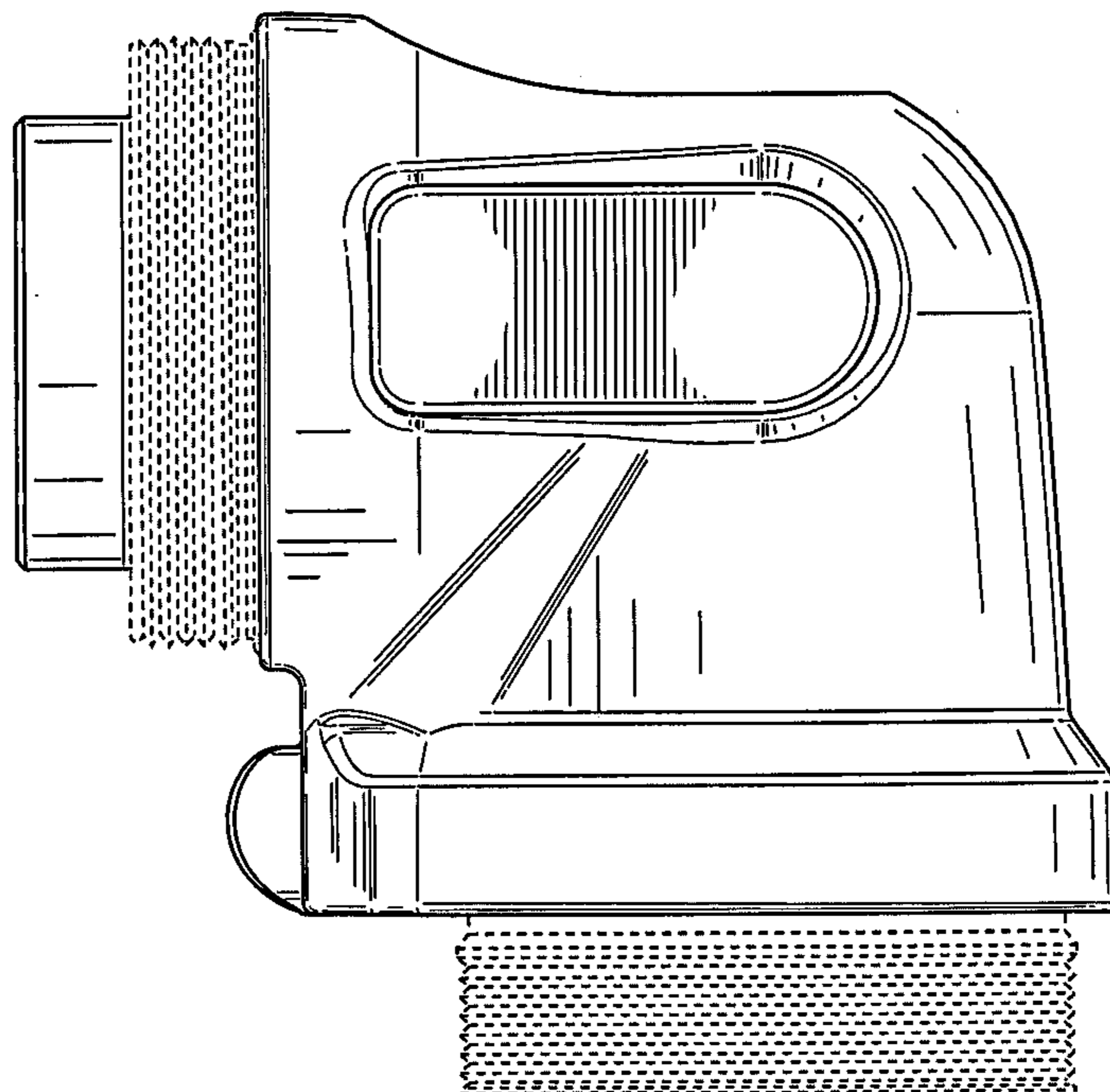


FIG. 7

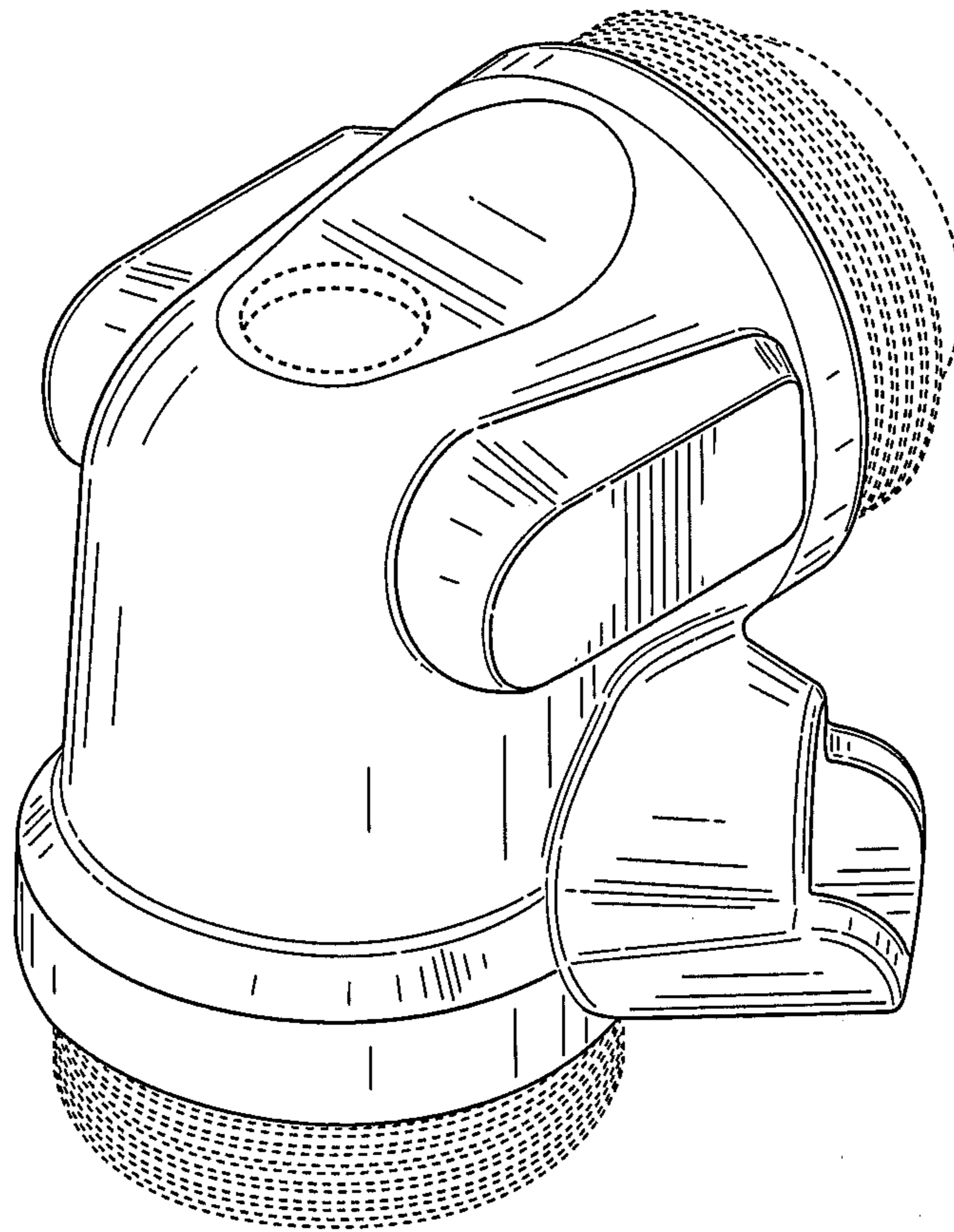


FIG. 8

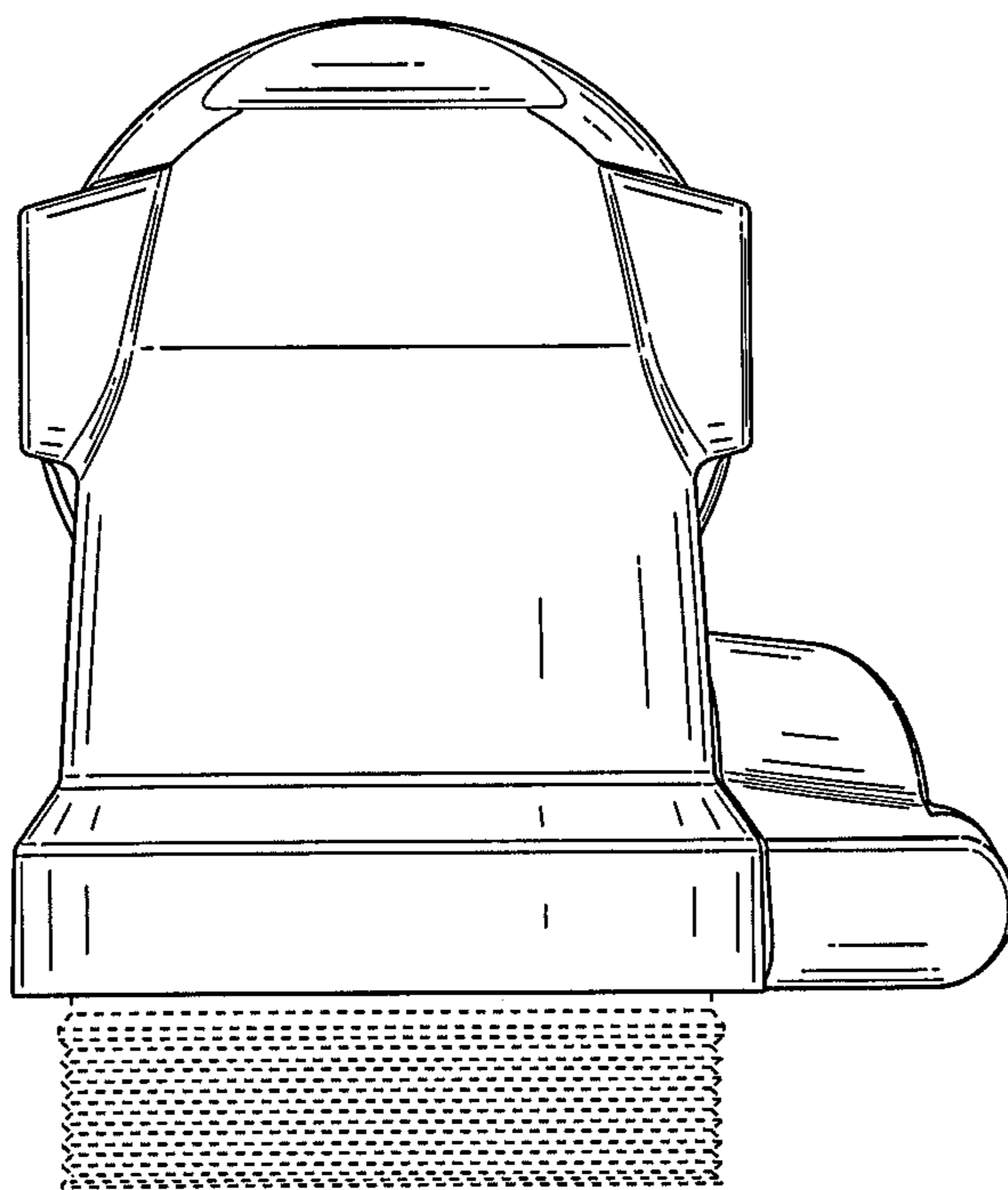


FIG. 9

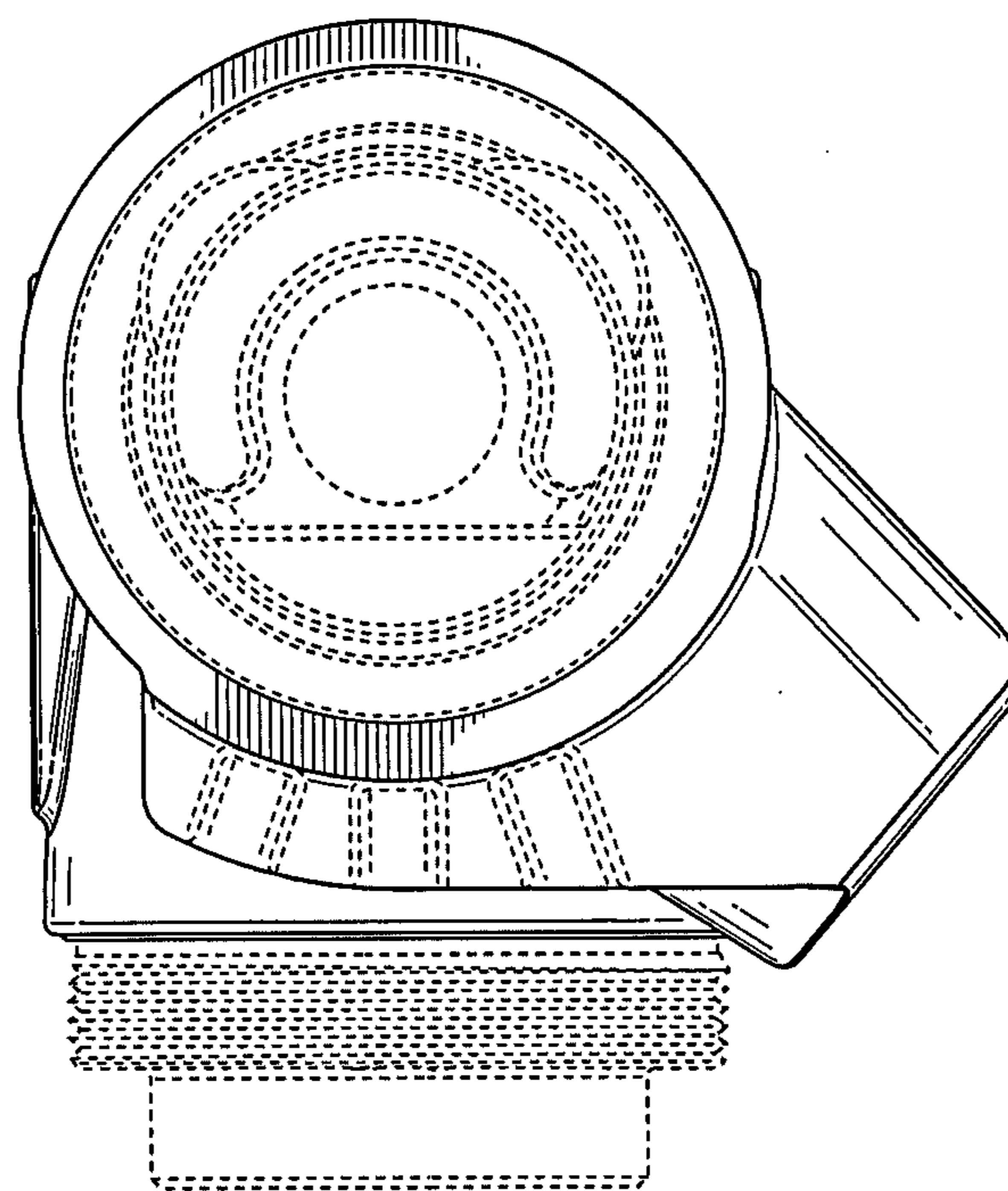


FIG. 10

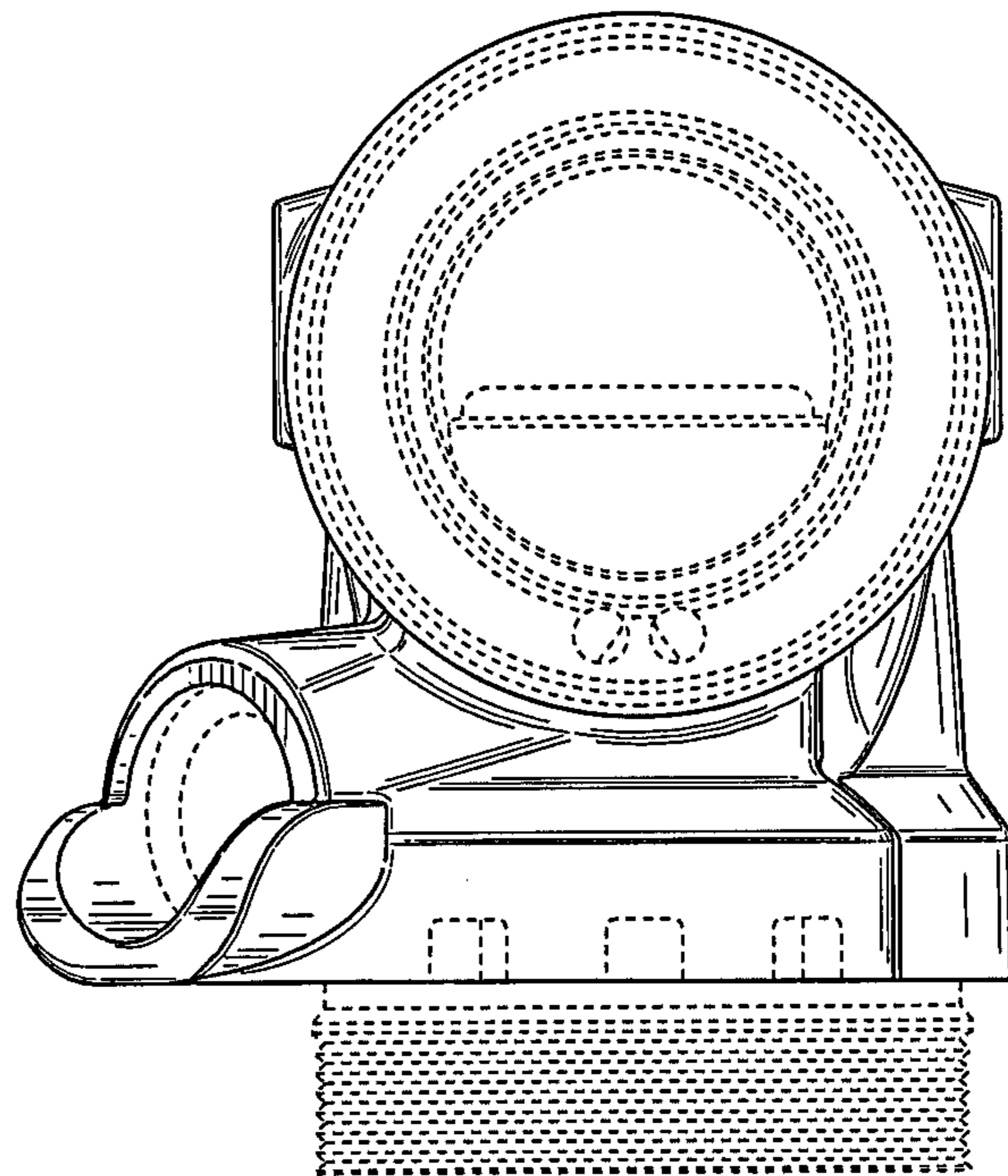


FIG. 11

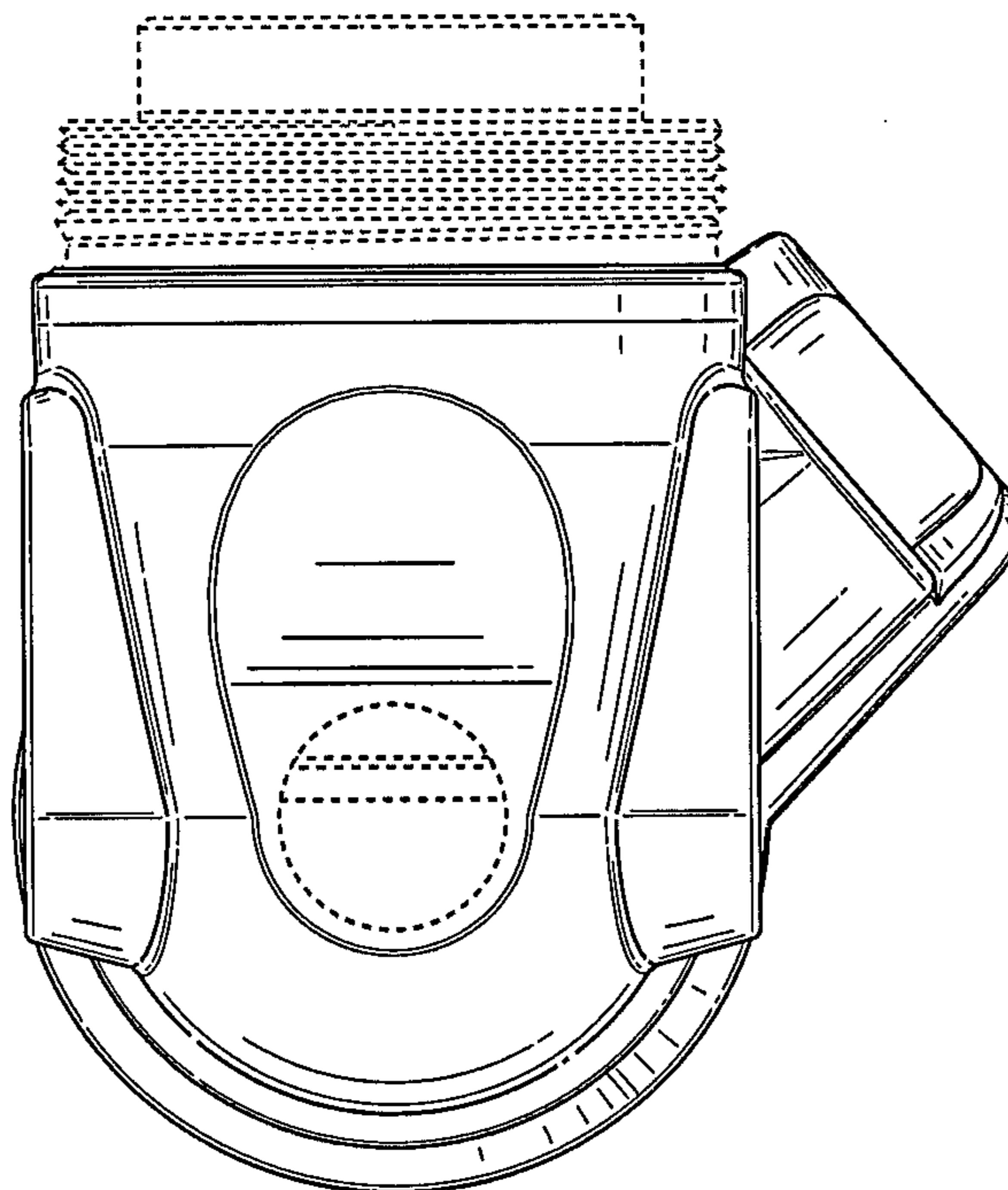
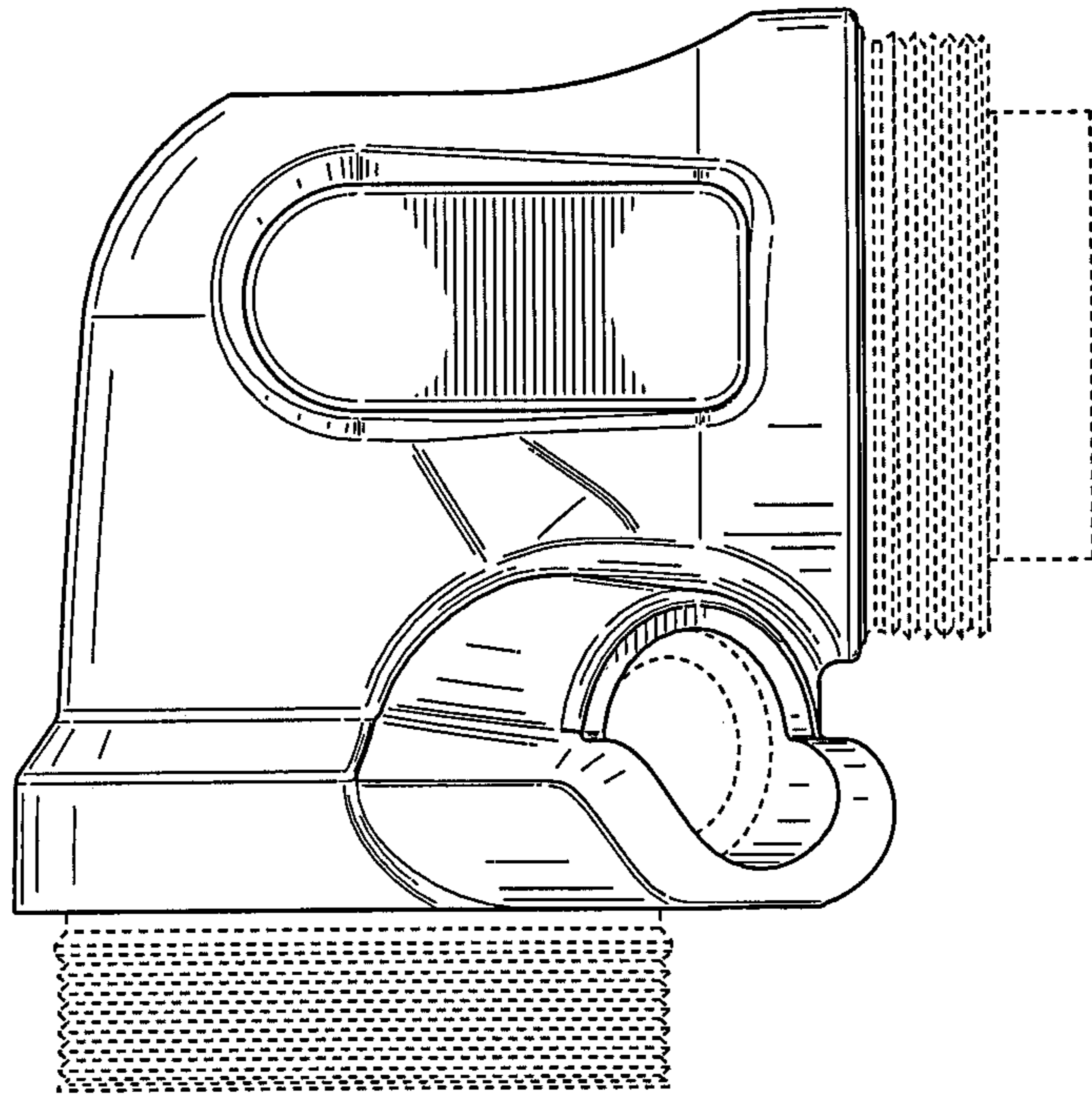
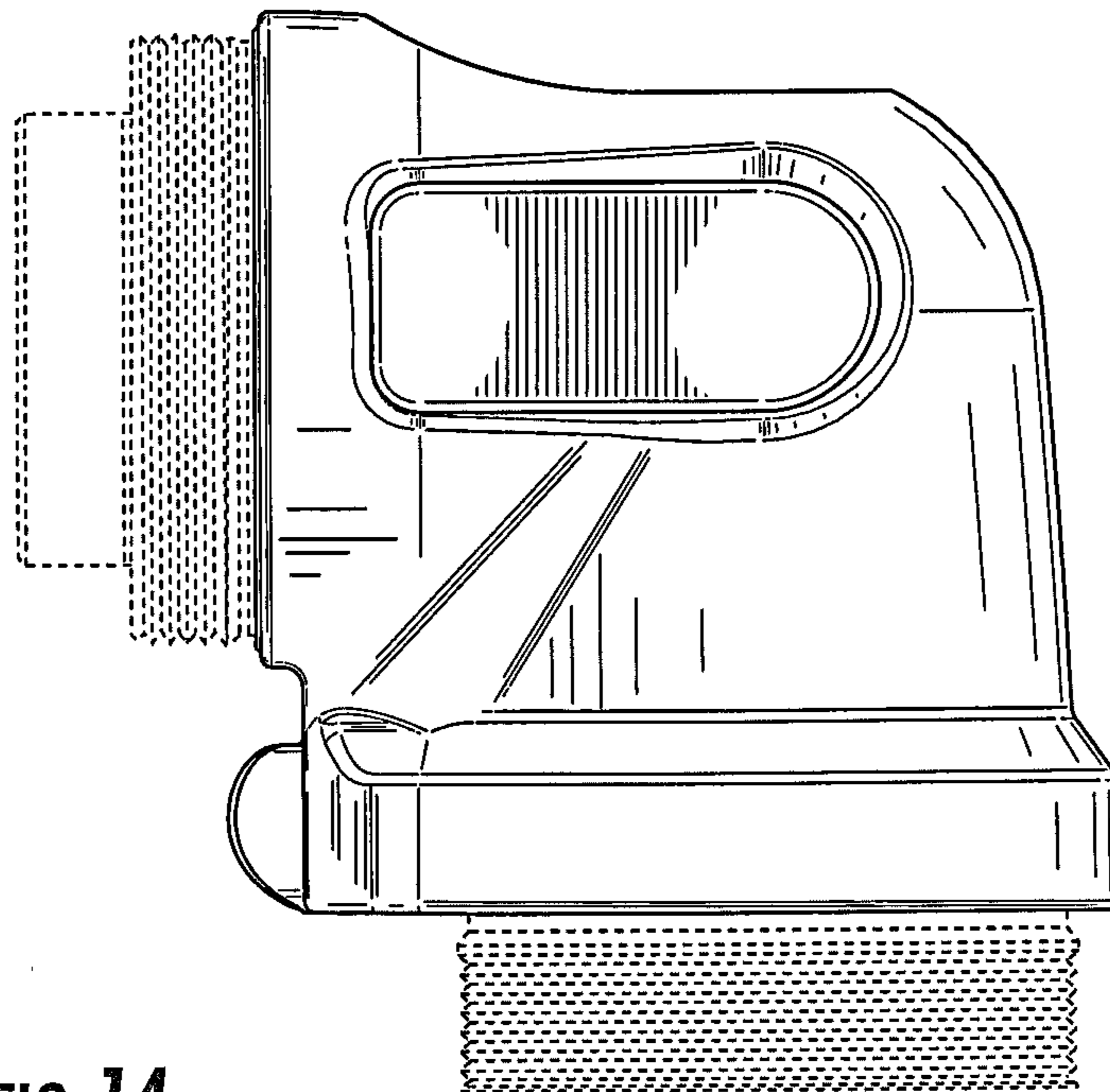


FIG. 12





**FIG. 13**



**FIG. 14**