



US00D702098S

(12) **United States Design Patent**
Landberg

(10) **Patent No.:** **US D702,098 S**

(45) **Date of Patent:** **** Apr. 8, 2014**

(54) **CHAIN SAW**

(75) Inventor: **Gustav Landberg**, Stockholm (SE)

(73) Assignee: **Husqvarna AB**, Huskvarna (SE)

(**) Term: **14 Years**

(21) Appl. No.: **29/398,707**

(22) Filed: **Aug. 3, 2011**

(30) **Foreign Application Priority Data**

Feb. 3, 2011 (EM) 001815580

(51) **LOC (10) CL.** **08-03**

(52) **U.S. CL.**

USPC **D8/65**

(58) **Field of Classification Search**

USPC D8/65, 7, 8, 9, 70, 66, 67, 62, 63, 64,
D8/61, 91; 30/386, 383, 382, 371, 123,
30/381; 125/21; D21/532; 83/832, 833,
83/834; 123/185.3

See application file for complete search history.

(56) **References Cited**

U.S. PATENT DOCUMENTS

D364,326 S	11/1995	Lohse et al.
D386,958 S	12/1997	Karlsson et al.
D412,652 S	8/1999	Durr et al.
D538,123 S	3/2007	Yates
D558,019 S	12/2007	Granberg et al.
D558,020 S	12/2007	Karlsson et al.
D563,747 S	3/2008	Tinius
D574,207 S	8/2008	Arnesson et al.
D606,829 S	12/2009	Tinius
D607,292 S	1/2010	Tinius

D607,293 S	1/2010	Tinius	
D615,836 S	5/2010	Kosugi et al.	
D633,353 S *	3/2011	Tinius	D8/65
D633,766 S *	3/2011	Tinius	D8/65
D636,652 S	4/2011	Mehra	
D645,315 S *	9/2011	Tinius	D8/65
D647,773 S *	11/2011	Sugishita et al.	D8/65
D649,852 S *	12/2011	Tinius	D8/65
D649,853 S *	12/2011	Tinius	D8/65
D651,061 S *	12/2011	Tinius	D8/65
D658,959 S *	5/2012	Landberg	D8/65
D658,960 S *	5/2012	Landberg	D8/65
D660,120 S *	5/2012	Tajik et al.	D8/65
D663,599 S *	7/2012	Tinius	D8/65
D681,412 S *	5/2013	Ortlund et al.	D8/65
2004/0103857 A1	6/2004	Kruse	
2006/0230900 A1	10/2006	Bergquisto	
2006/0254557 A1	11/2006	Hamisch et al.	

* cited by examiner

Primary Examiner — Austin Murphy

(74) *Attorney, Agent, or Firm* — Novak Druce Connolly Bove + Quigg LLP

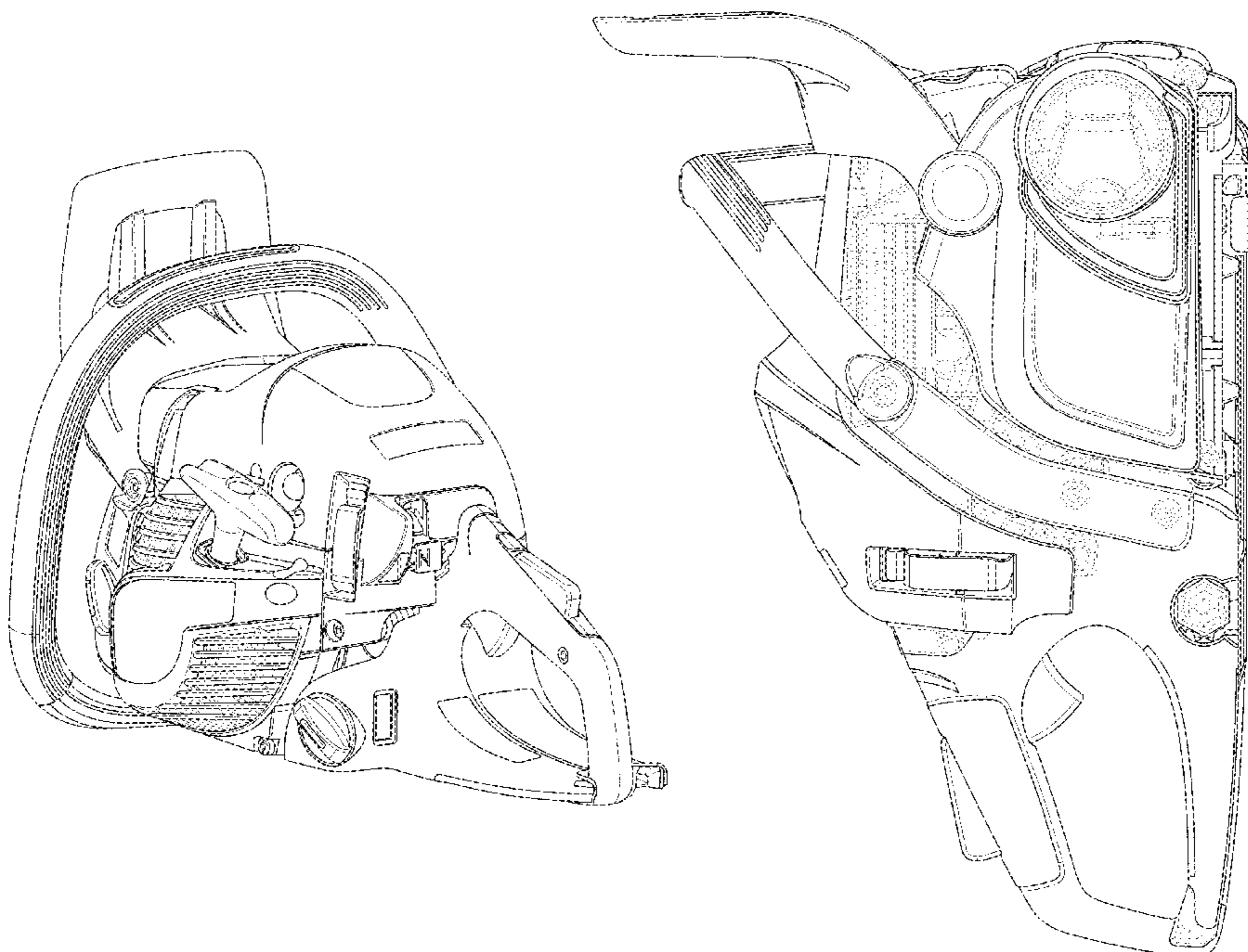
(57) **CLAIM**

I claim the ornamental design for a chain saw, as shown and described.

DESCRIPTION

FIG. 1 is a perspective view of a chain saw;
FIG. 2 is a front elevational view thereof;
FIG. 3 is a rear elevational view thereof;
FIG. 4 is a left side elevational view thereof;
FIG. 5 is a right side elevational view thereof;
FIG. 6 is a top plan view thereof; and,
FIG. 7 is a bottom plan view thereof.

1 Claim, 7 Drawing Sheets



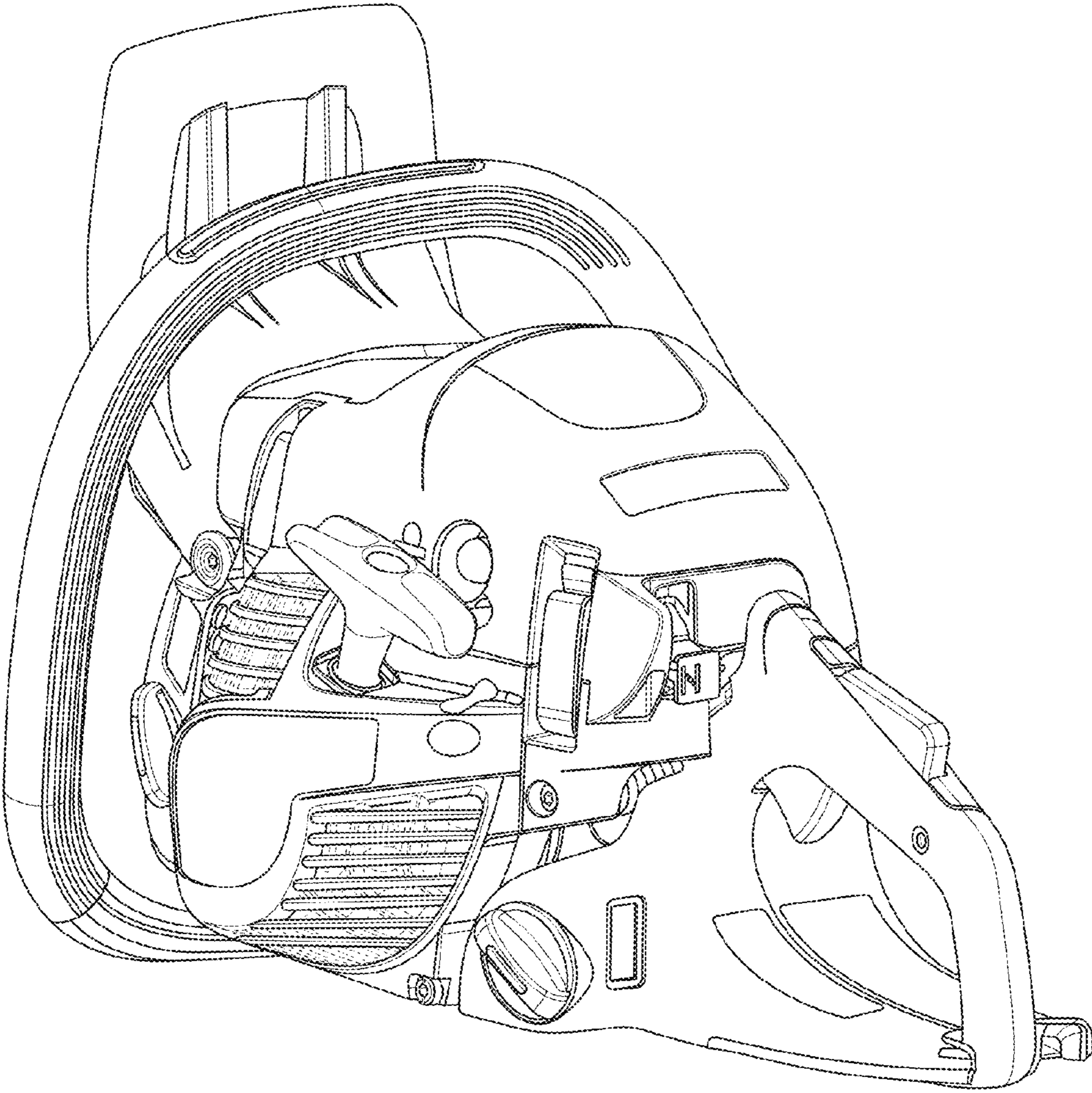


FIG. 1

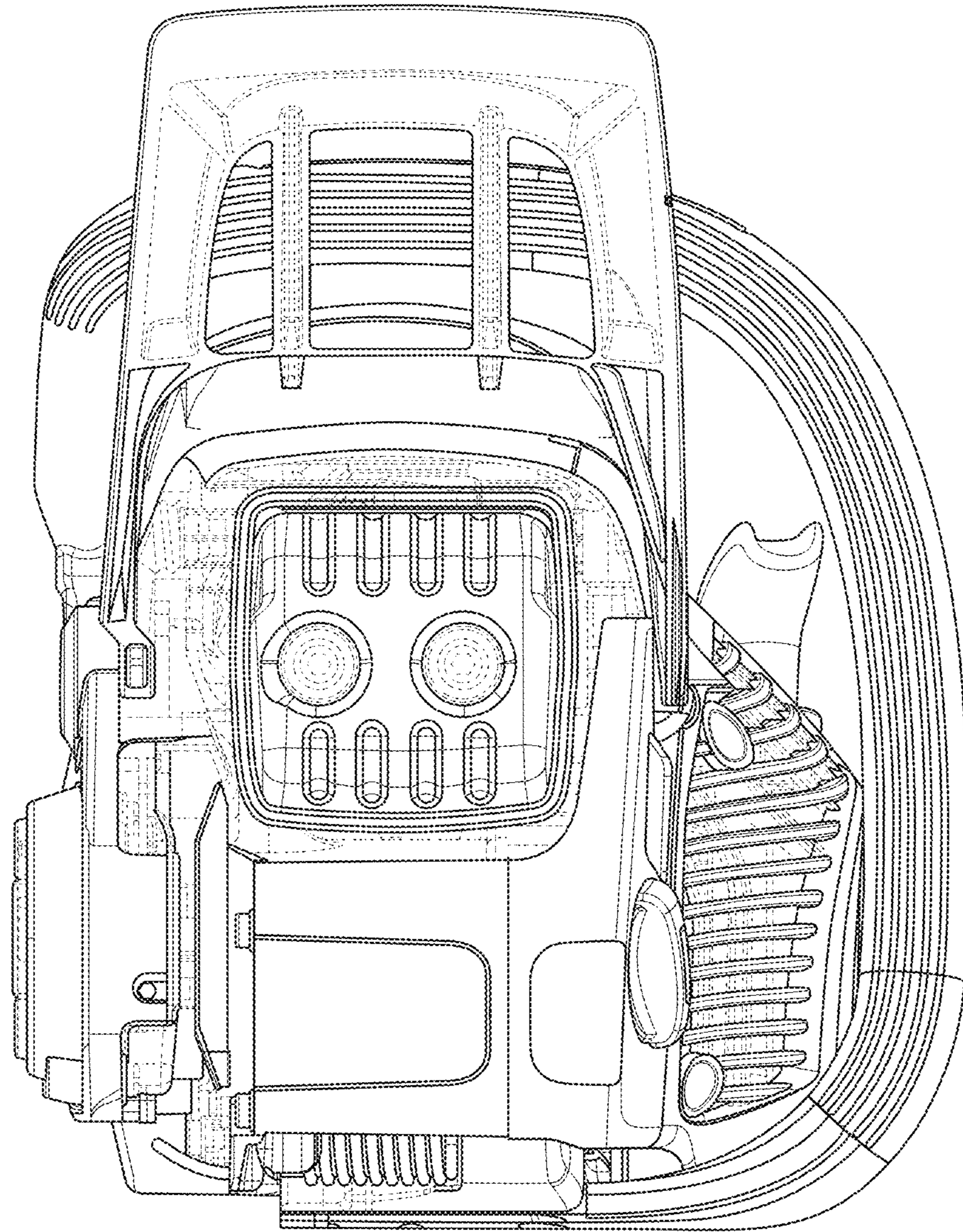


FIG. 2

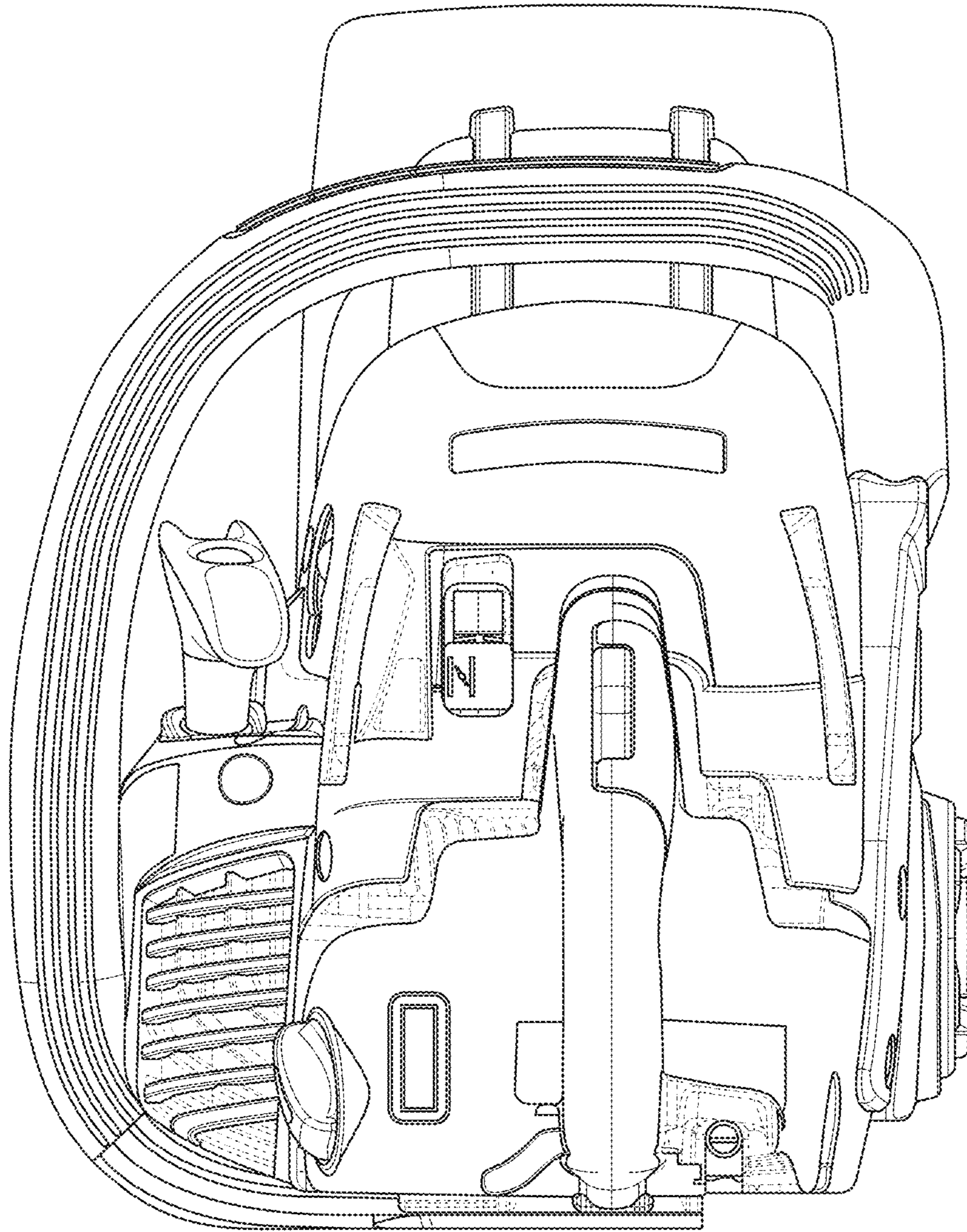


FIG. 3

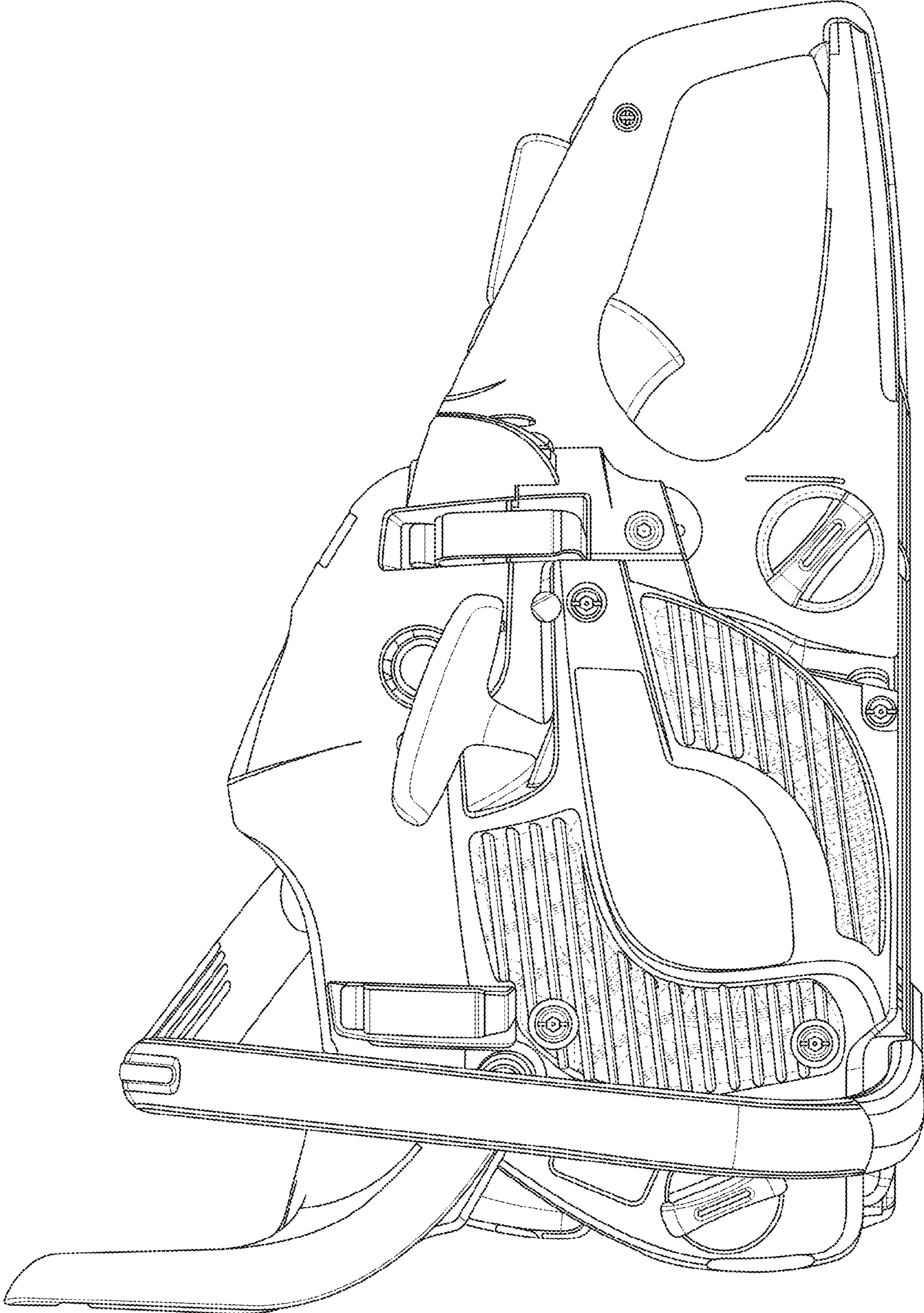


FIG. 4

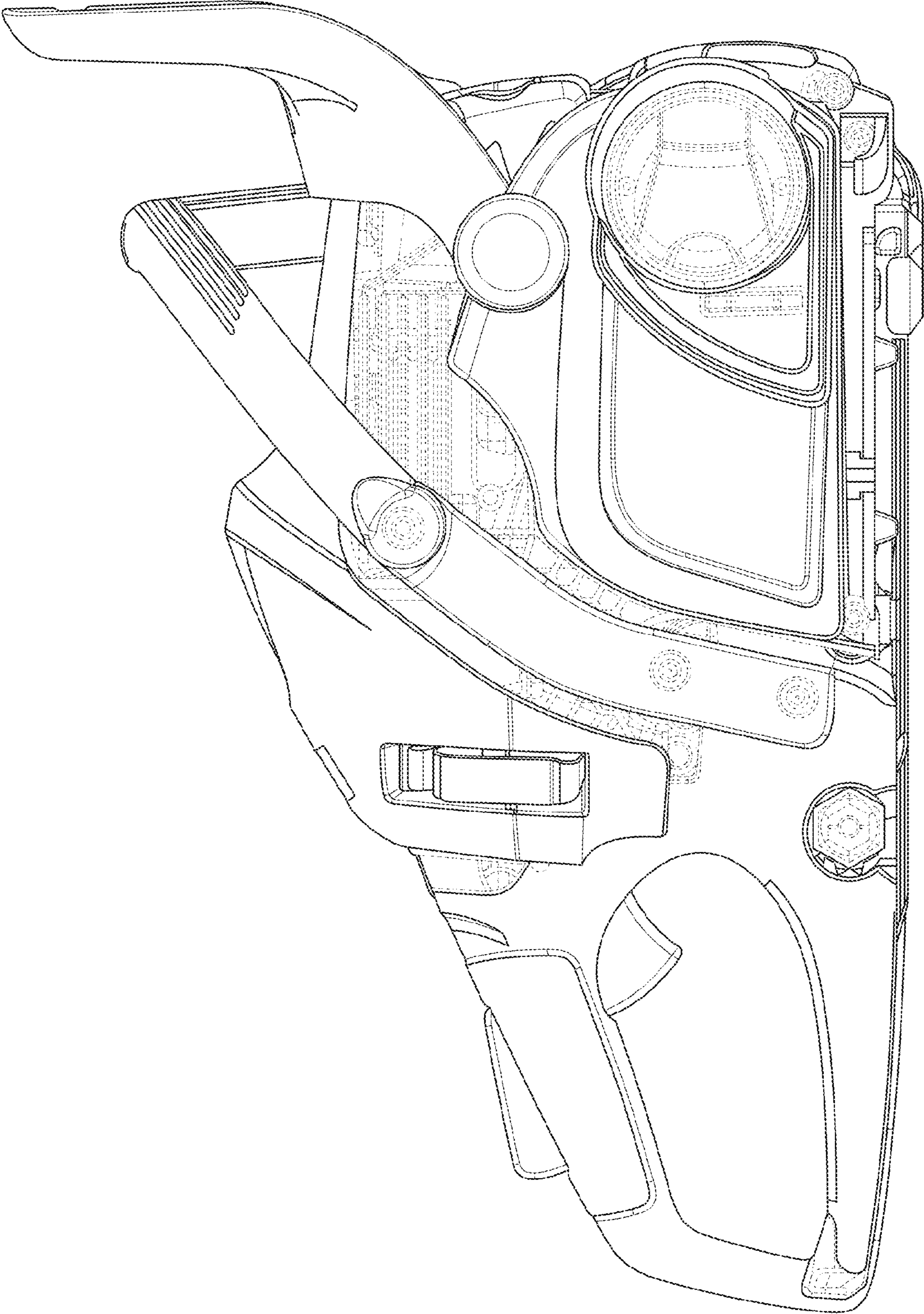


FIG. 5

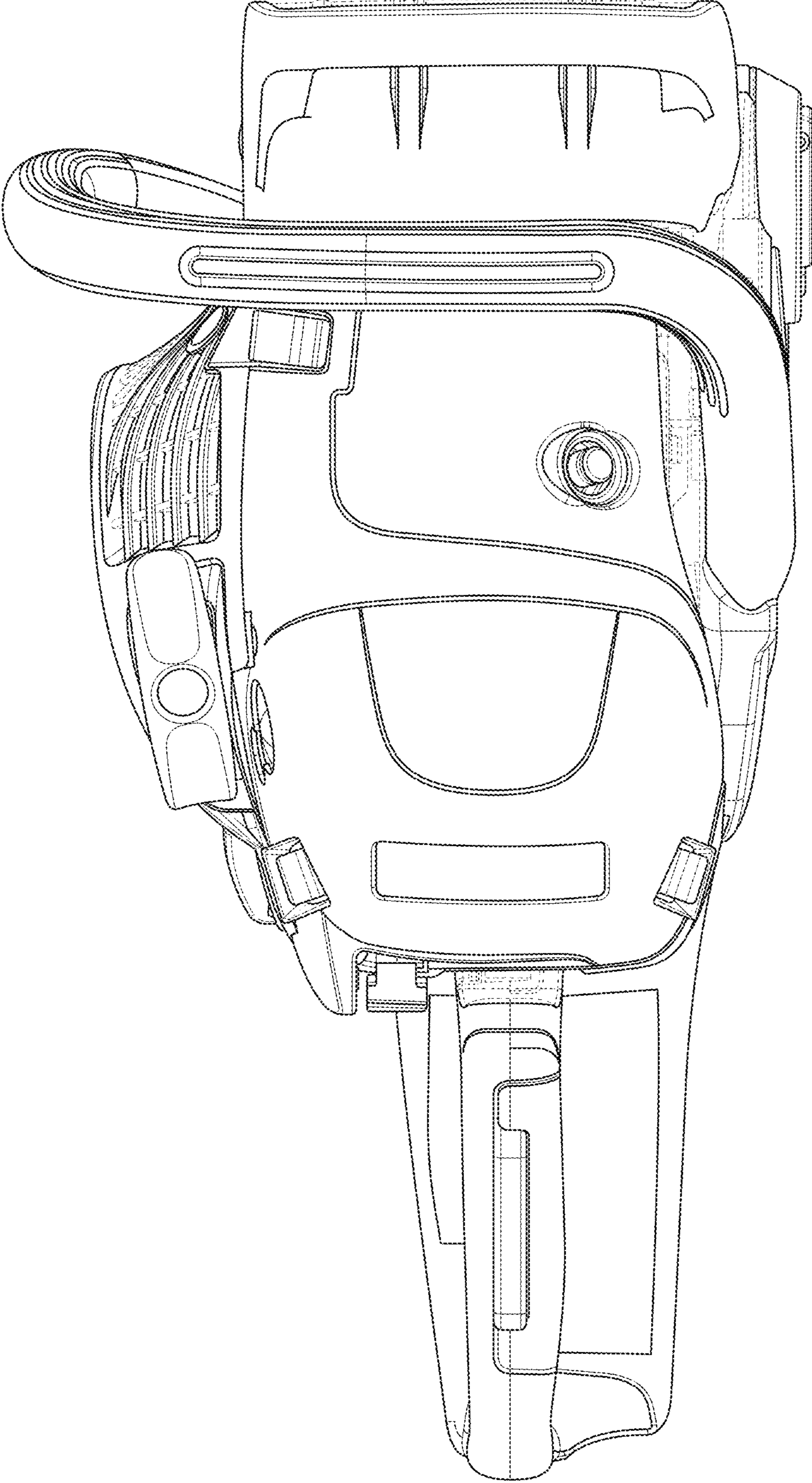


FIG. 6

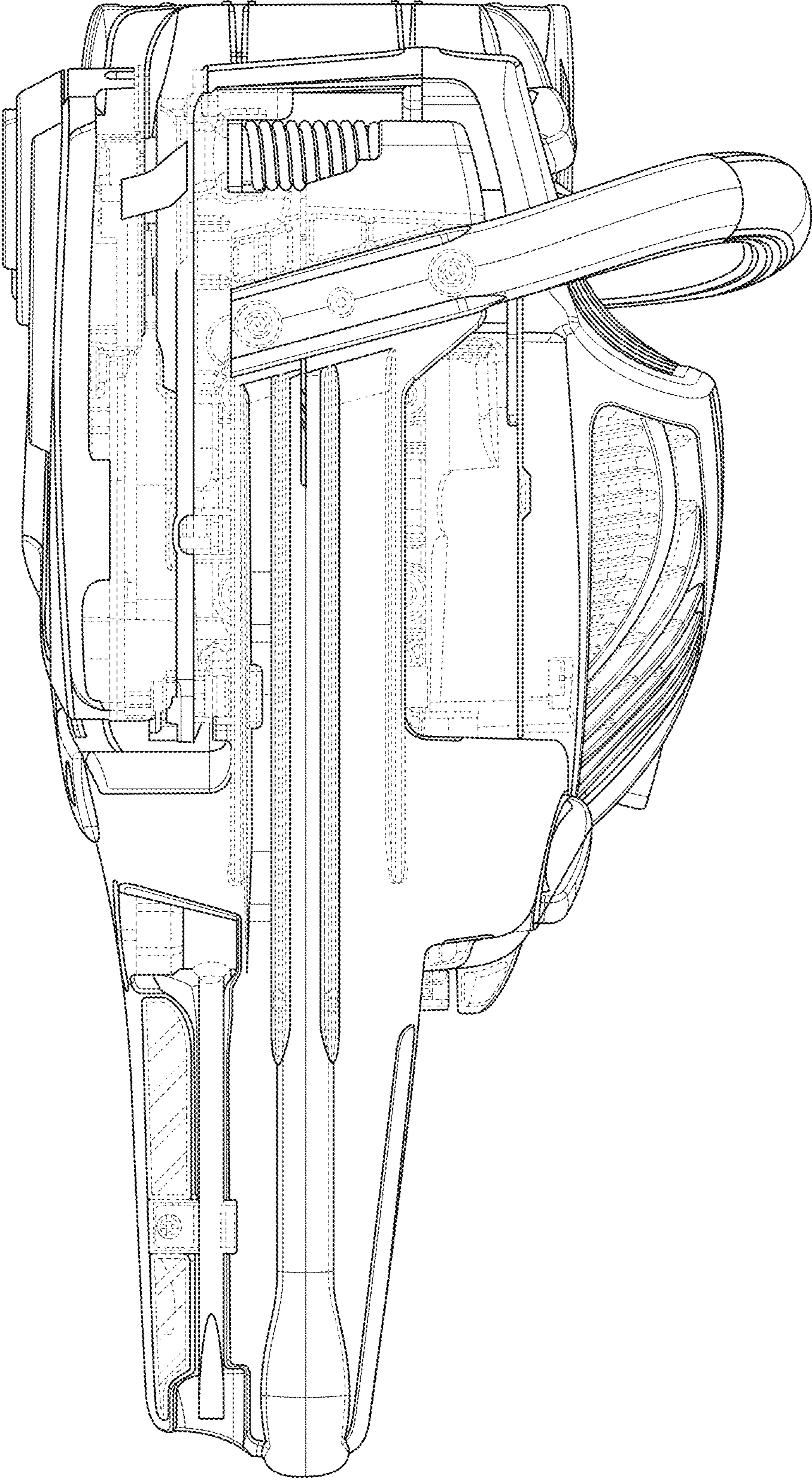


FIG. 7