



US00D702097S

(12) **United States Design Patent**
Österlin

(10) **Patent No.:** **US D702,097 S**

(45) **Date of Patent:** **** Apr. 8, 2014**

(54) **WOOD SPLITTING TOOL**

OTHER PUBLICATIONS

(76) Inventor: **Claes Österlin**, Saltsjö-Boo (SE)

Stikkan Home Distributors Guide.

(**) Term: **14 Years**

* cited by examiner

(21) Appl. No.: **29/413,087**

Primary Examiner — Sheryl Lane

(22) Filed: **Feb. 10, 2012**

(74) *Attorney, Agent, or Firm* — Stites & Harbison PLLC;
Douglas E. Jackson

(30) **Foreign Application Priority Data**

(57) **CLAIM**

The ornamental design for a wood splitting tool, as shown and described.

Aug. 12, 2011 (EM) 001289243-0001

(51) **LOC (10) Cl.** **08-05**

DESCRIPTION

(52) **U.S. Cl.**

USPC **D8/51**

(58) **Field of Classification Search**

USPC D8/51, 52, 98; 144/195.5, 195.1;
D15/127

See application file for complete search history.

FIG. 1 is a front view of a wood splitting tool showing the new design with the ring in a safety position preventing movement of the handle and associated blade.

FIG. 2 is a left side view thereof, the right side being a mirror image.

FIG. 3 is a top view thereof.

FIG. 4 is a bottom view thereof.

FIG. 5 is a front view of the wood splitting tool but with the ring in a use position allowing movement of the handle and associated blade.

FIG. 6 is a left side view thereof, the right side being a mirror image.

FIG. 7 is a top view thereof; and,

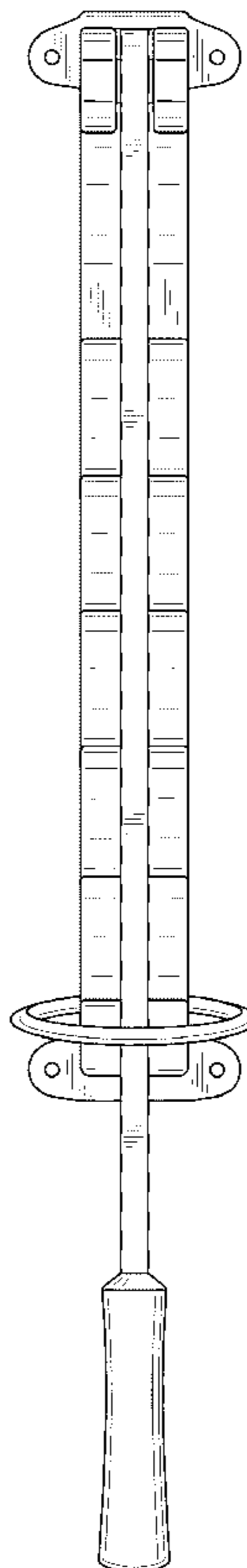
FIG. 8 is a bottom view thereof.

(56) **References Cited**

U.S. PATENT DOCUMENTS

4,453,580	A *	6/1984	Patten	144/195.1
D344,528	S *	2/1994	Janczak	D15/127
D363,865	S *	11/1995	Pulido	D8/51
6,289,955	B1 *	9/2001	Wilhelm	144/195.4
D604,137	S *	11/2009	Ebert	D8/98
D652,704	S *	1/2012	Ebert	D8/98

1 Claim, 3 Drawing Sheets



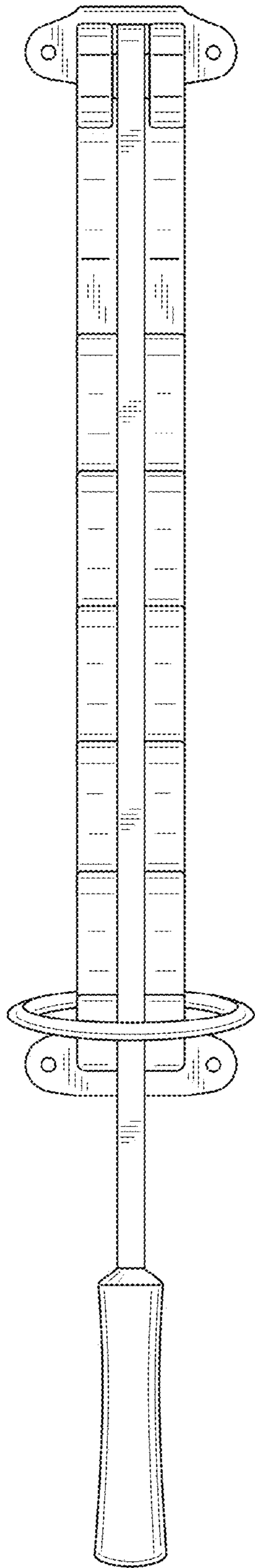


FIG. 1

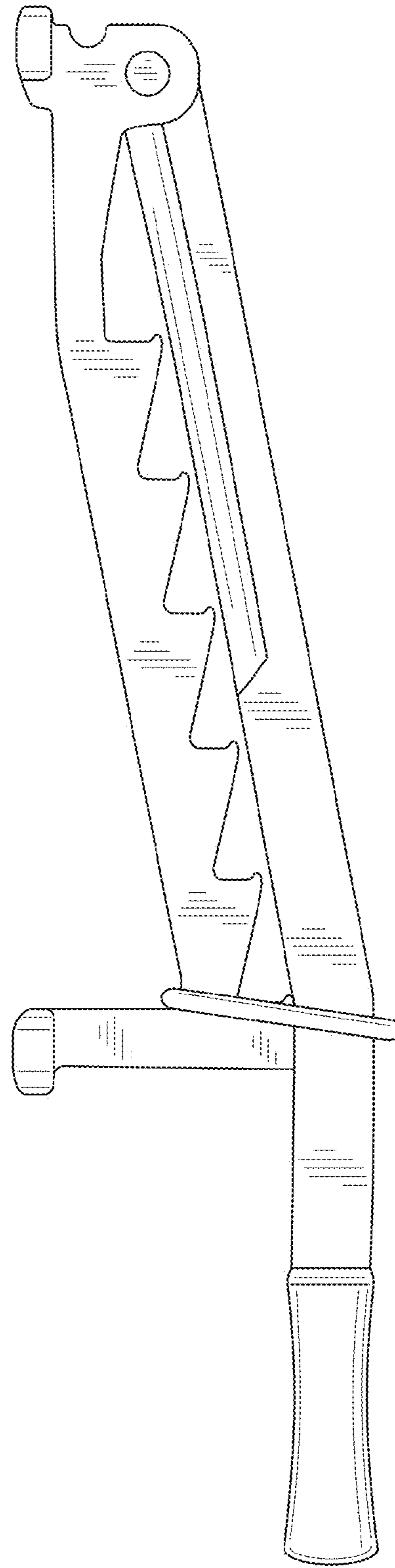


FIG. 2

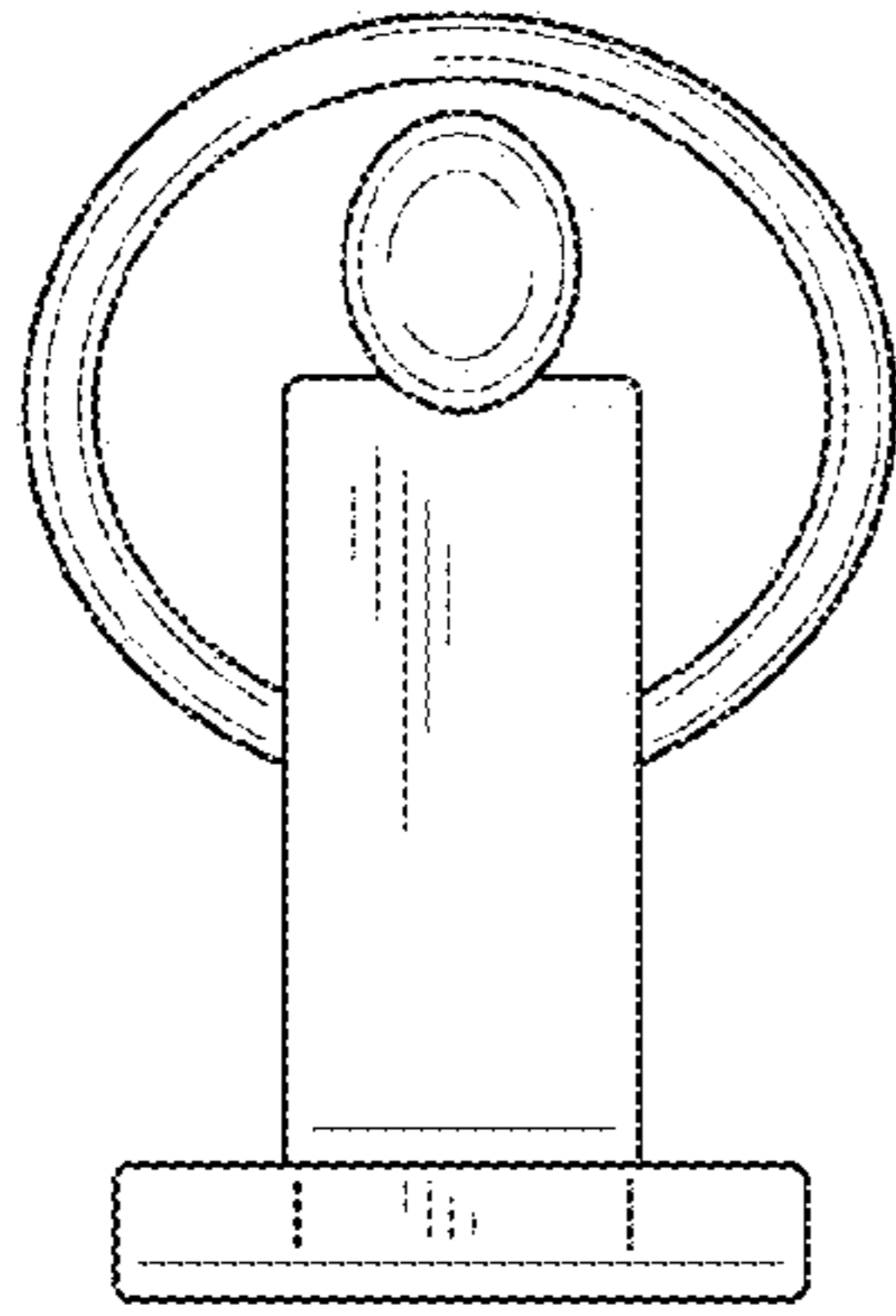


FIG. 4

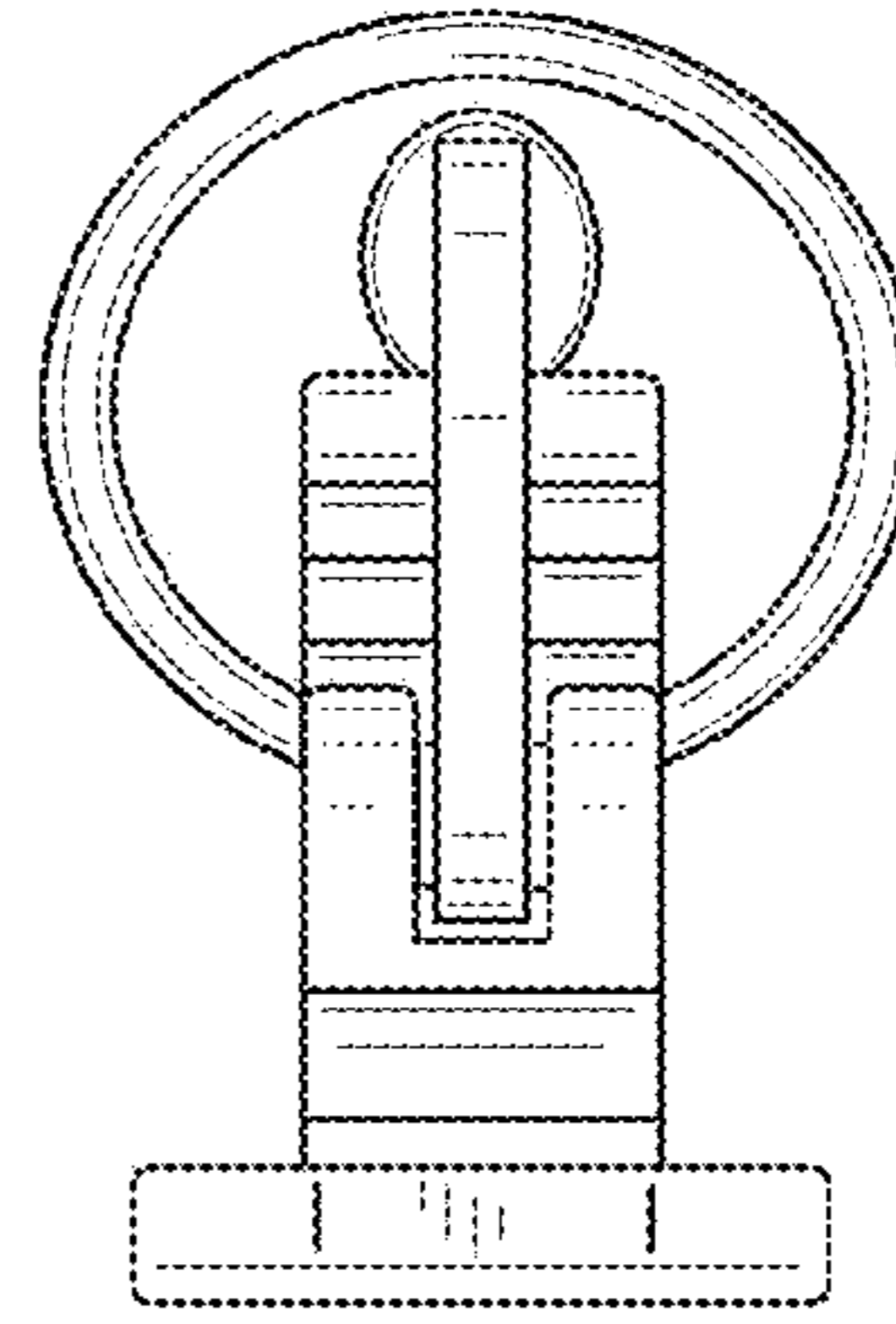


FIG. 3

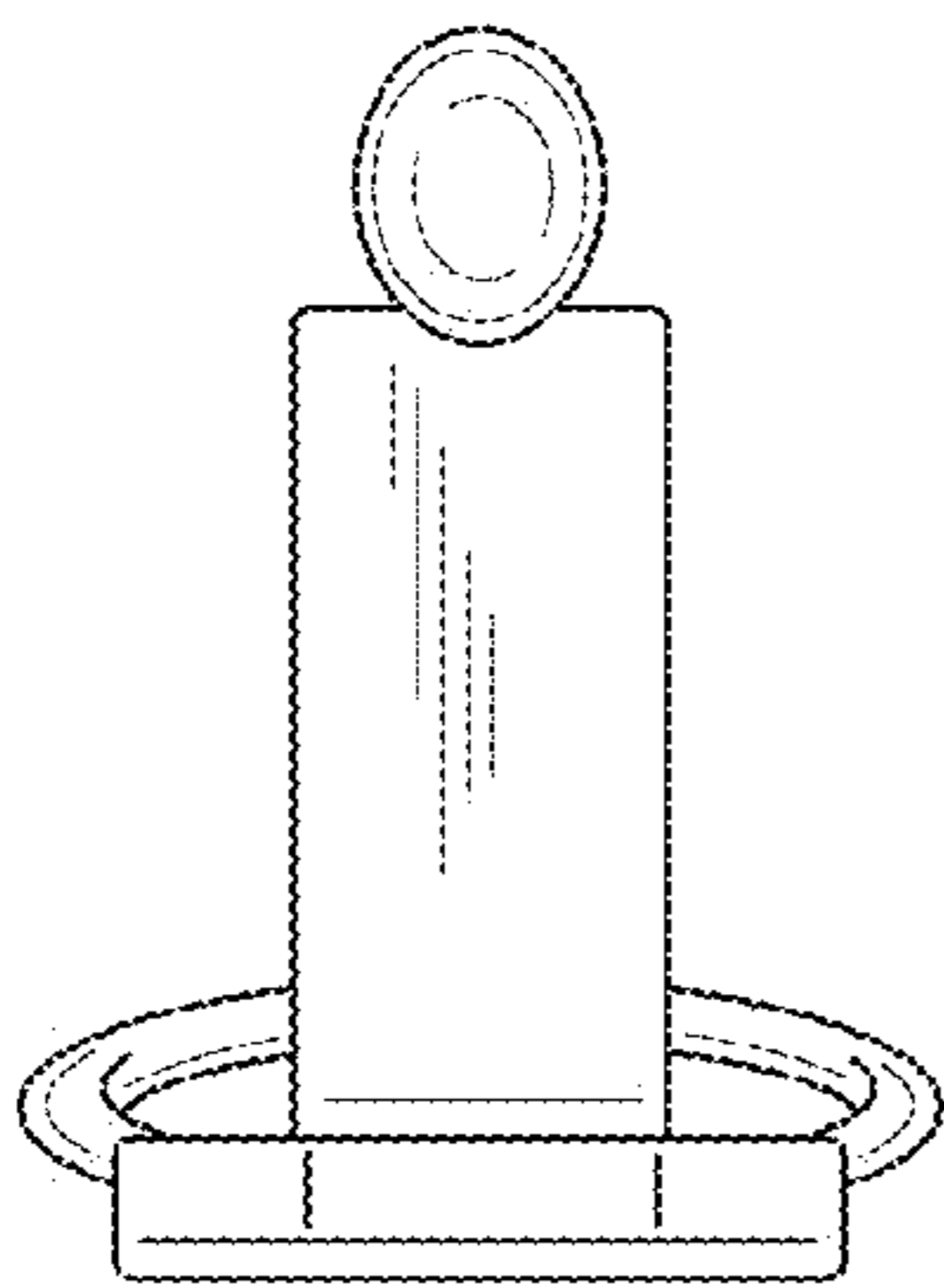


FIG. 8

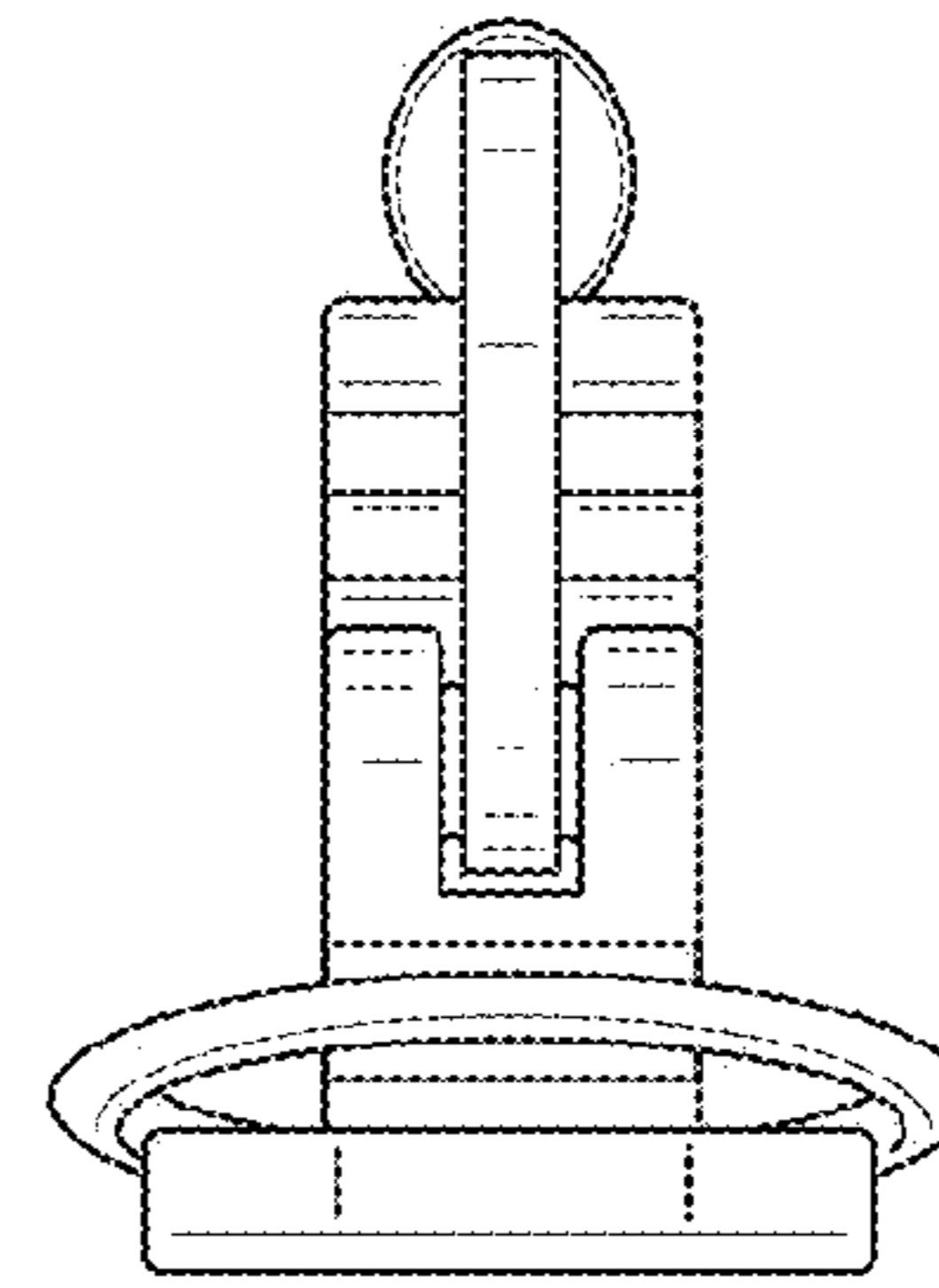


FIG. 7

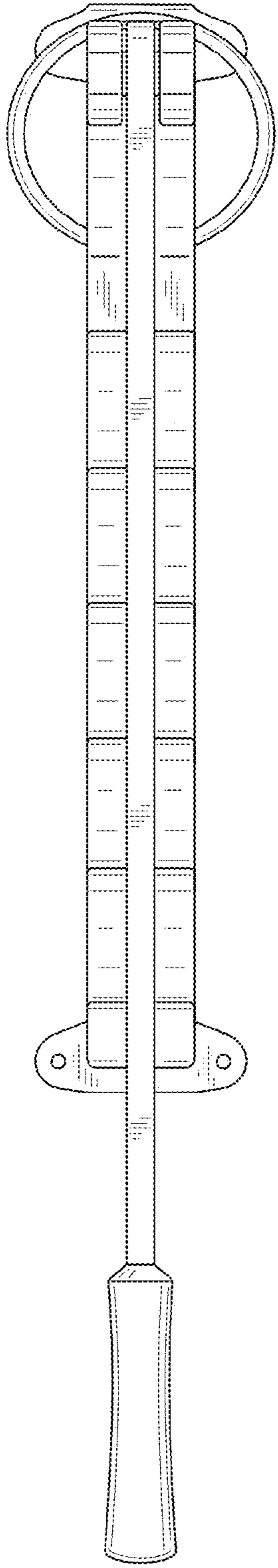


FIG. 5

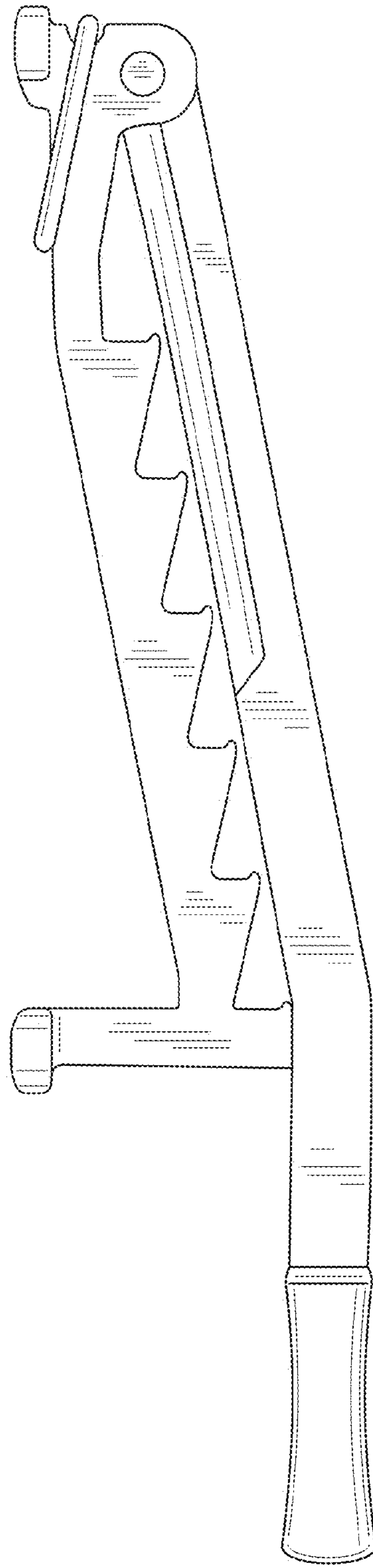


FIG. 6